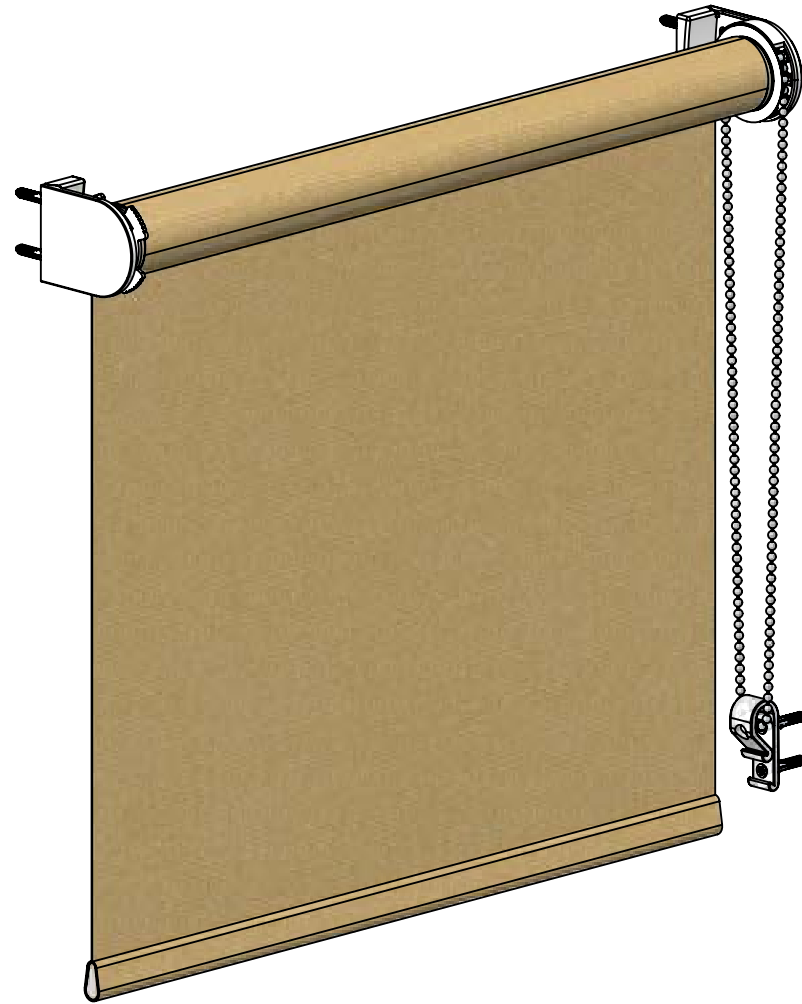
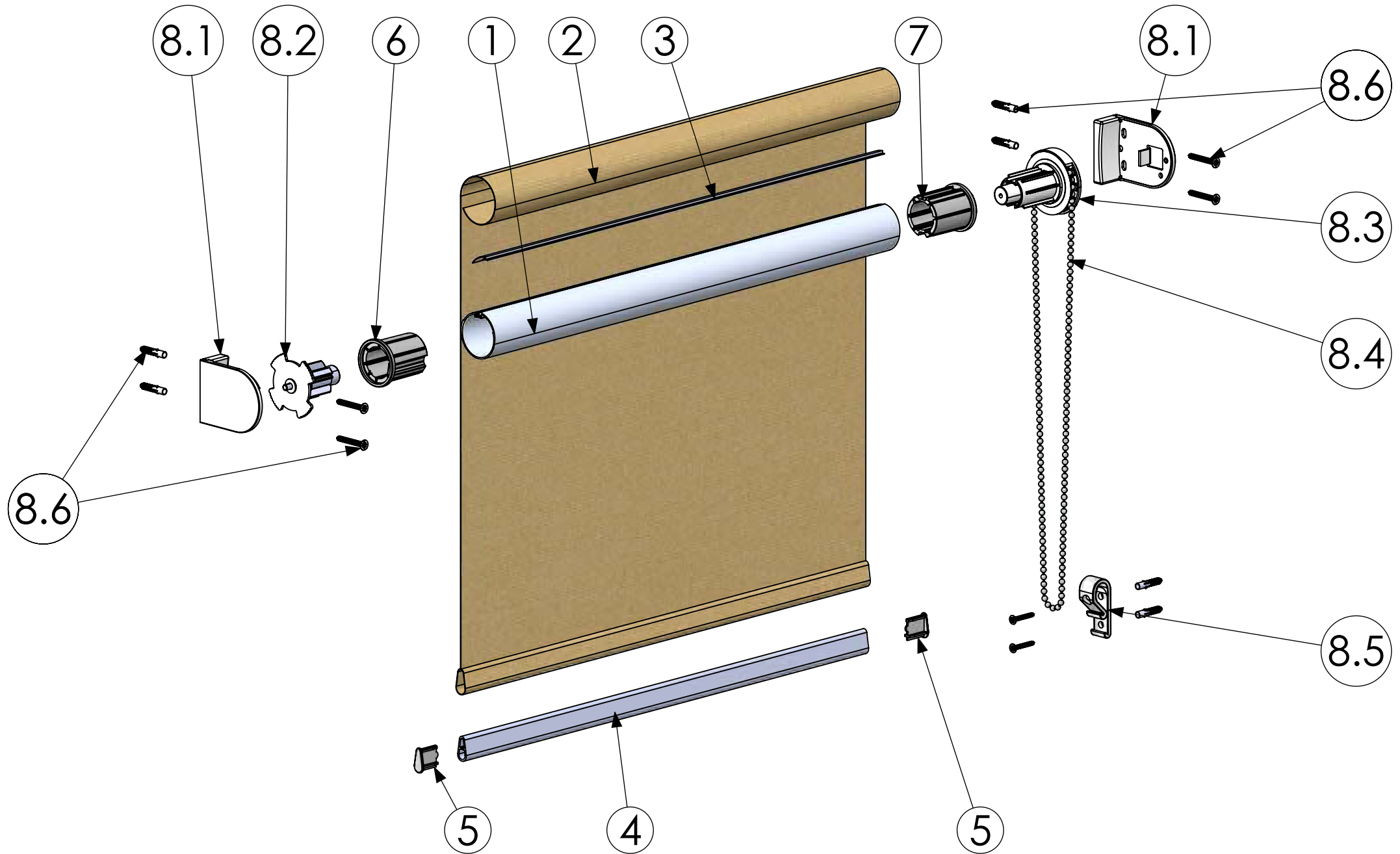


TECHNICAL FILE
ENR POLARIS CHAIN Q3 MY 23
PDM-ENR-ST-22-001-B



TECHNICAL FILE
ENR POLARIS CHAIN Q3 MY 23- Exploded
PDM-ENR-ST-22-001-B



TECHNICAL FILE
ENR POLARIS CHAIN Q3 MY 23
PDM-ENR-ST-22-001-B



TECHNICAL FILE

ENR POLARIS CHAIN Q3 MY 23- Bill of materials

N.º	DESCRIPTION	MATERIAL	QUANTITY
1	ROLLING TUBE 38MM	Aluminum 6063	1
2	FABRIC	-	1
3	FLAT FABRIC HOLDER TUBE INSERT	PVC	1
4	BOTTOM RAIL	Aluminum 6063	1
5	BOTTOM RAIL SIDE COVERS	POLYPROPYLENE	2
6	38 MM IDLER TUBE ADAPTER	PA6 + 15%GF	1
7	38 MM CLUTCH MECHANISM TUBE ADAPTER	PA6 + 15%GF	1
8.1	OPERATION SIDE BRACKET WITH COVERS	ABS & Powder coated steel	1
	OPPOSITE SIDE BRACKET WITH COVERS	ABS & Powder coated steel	1
8.2	IDLE END SUPPORT	POM & PC	1
8.3	CLUTCH MECHANISM	PA66 + 30%GF & POM	1
8.4	1,97 MTS RING CHAIN 4,5X6 STAINLESS STEEL	STAINLESS STEEL	1
8.5	CHILD SAFETY CLIP	POLYCARBONATE (PC)	1
8.6	PLASTIC SCREW PLUG Ø5	POLYAMIDE (PA)	6
	SCREW VELOX 3,5X40 MM	ZINC PLATED	6