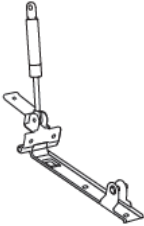









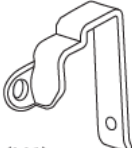


			
PB (X1)	PF (X1)	PFI (X1)				
						
						
PCL2 (X1)	PCR2 (X1)	PCL1 (X1)	PCR1 (X1)	PLL (X1)	PLU (X1)	PMC (x4)