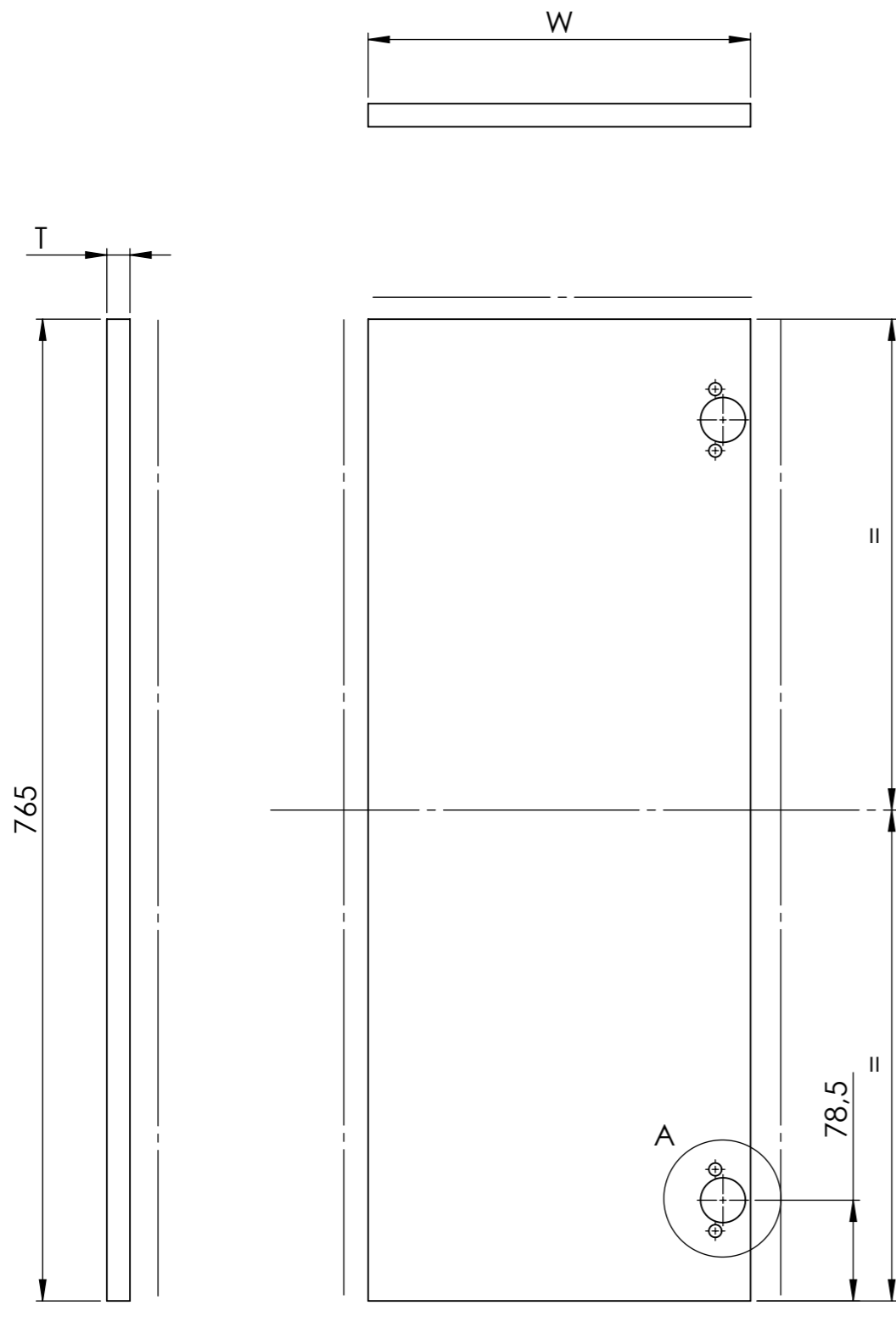
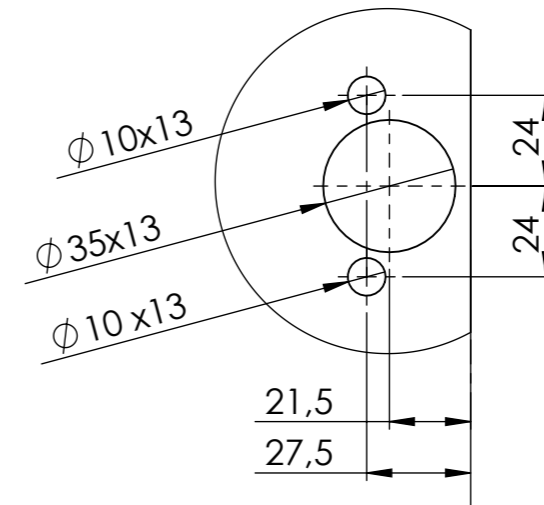


NOTA : THIS REFERENCE TAKES THE SHAPE AND THICKNESS OF THE PANEL SERIE.
GENERAL TOLERANCE AND HOLES REFERENCES ACCORDING TO ADEO SPECIFICATIONS



DÉTAIL A
ECHELLE 1 : 2



Thickness of panel (T) is the input data to determine width of panel (W) according to the table bellow.

T Thickness panel	W Width panel
16	300
17	299
18	298
19	297
20	296
21	295

Note :
- Visibles faces are represented by - - - -

MATERIAL:	-	DO NOT SCALE DRAWING	SHEET 1 OF 1
SURFACE:		TITLE: ADEO-14020-01-03-000-94 K	
LINEAR TOLERANCE:	See "ADEO-01.pdf"	DESCRIPTION: Door for Top cabinet h768 -L angle-	
ANGULAR TOLERANCE:		This drawing is the exclusive property of ADEO . Any reproduction in part or whole without the written permission of ADEO is prohibited.	
WEIGHT:	4481.80 g		
SCALE:	1:5 UNIT: mm FORMAT: A3		
AUTOR:	Q.Defossez	CHECKER:	Q.Defossez
STATUS:	APPROVED		
DATE:	17/11/2017		