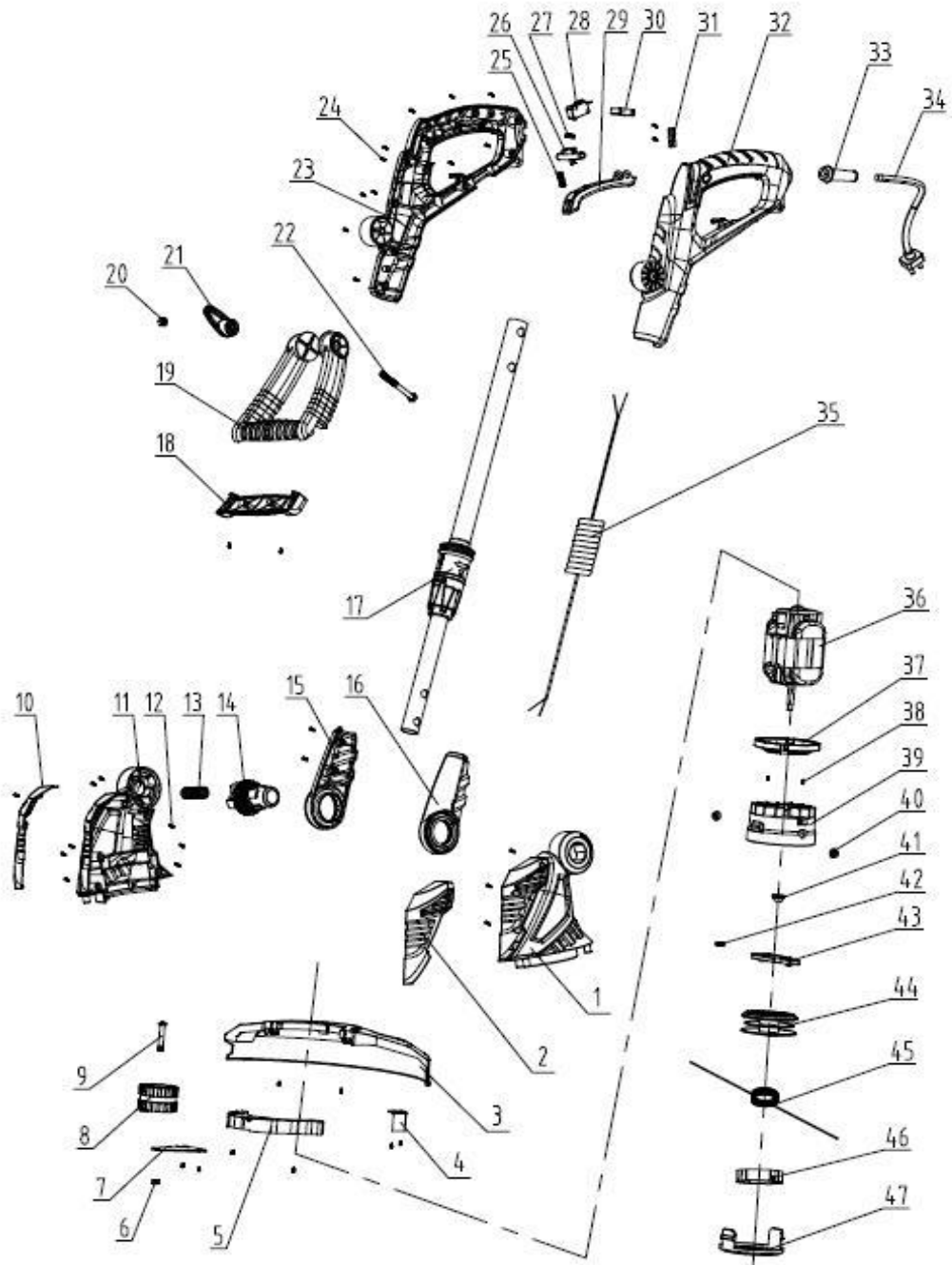


TE55-DW



TE55-DW

NR	INDEKS	OPIS	ILOŚĆ
1	6001-213001	Left motor housing	1
2	6053-213001	Decorating cover of left motor housing	1
3	6070-213001	Protective cover	1
4	6030-213001	Blade	1
5	6053-213003	Protective cover plate	1
6	6NC05D0	M5 anti loose nut	1
7	6039-213001	Bracket of guide wheel	1
8	6031-213001	Guide wheel	1
9	6074-213001	Bolt	1
10	6053-213002	Decorating cover of right motor housing	1
11	6002-213001	Right motor housing	1
12	6SJAC03-10D	ST3 x 10 Screw	6
13	6060-213001	Spring 1	1
14	6058-213003	Angle rotation unlock button	1
15	6135-213002	Right clamp plate	1
16	6135-213001	Left clamp plate	1
17	6129-213001	Telescopic tube	1
18	6094-213002	Auxiliary handle cover	1
19	6094-213001	Auxiliary handle	1
20	6NA06D0	M6 nut	1
21	6058-213001	Locking button	1
22	6SFDD06-75D	M6 bolt	1
23	6137-213001	Right main handle	1
24	6SJAC04-14D	ST4X14 screw	31
25	6060-213002	Spring 2	1
26	6058-213002	Lock-Off button	1
27	6060-213004	Spring 4	1
28	6032-210001	Switch	1
29	6157-213001	Switch trigger	1
30	6033-213001	Capacitance	1
31	6053-210001	Cable clamp	1
32	6136-213001	Left main handle	1
33	6023-210002	Cable retainer	1
34	6029-213001	Cable	1
35	6059-213001	Spring cable	1
36	6004-214005	550W Motor assembly	1
37	6039-213003	Bracket of motor	1
38	6SFDD04-10D	M4X10 bolt	2
39	6049-213001	Cutting head socket	1
40	6009-213001	Aluminium rivet	2
41	6081-213001	Stopple	1
42	6060-213003	Spring 3	1
43	6072-213001	Automatic line slide	1
44	6139-213001	Spool	1
45	6127-213001	Nylon line	1
46	6070-213002	Nylon line sleeve	1
47	6023-213001	Spool cover	1