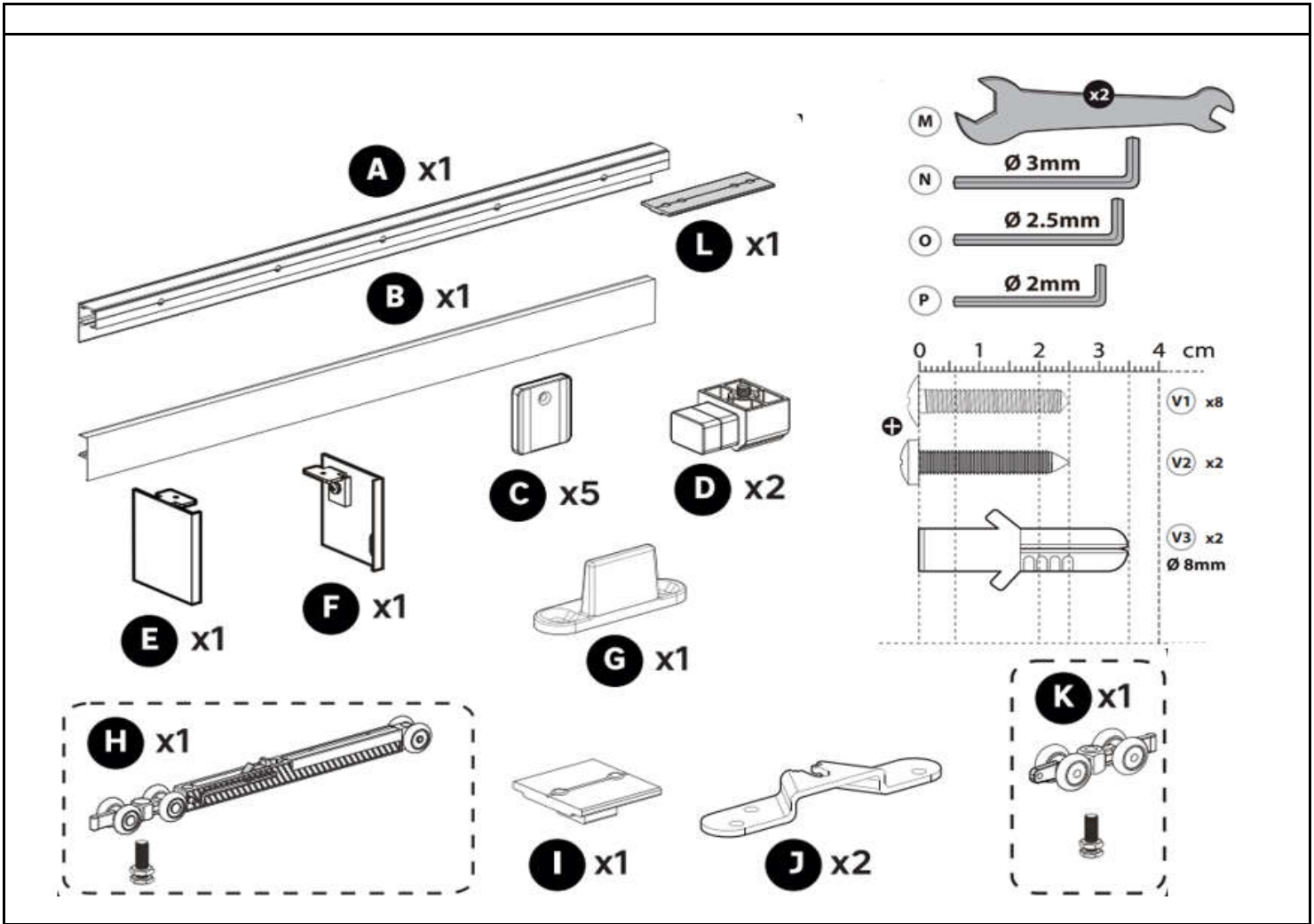


Product exploded view

ADEO Ref	91176300
EAN Code	3276007806069



Parts No.	Name	Quantity	Material & Surface process
A	Sliding rail	1	Aluminum&White
B	Cover	1	Aluminum&White
C	Shim	5	POM&Black
D	Door Stopper	2	POM&Black
E	End cap	1	Aluminum&White
F	End cap	1	Aluminum&White
G	Floor guide	1	POM&Black
H	Sliding roller	1	Zinc,POM&Grey
I	Trigger	1	Aluminum&Natural
J	Rail&Door connector	2	Carbon steel& galvanize
K	Sliding roller	1	Zinc&Grey
L	Double rail connector	1	Alumimum&Alu
M	Wrench	2	Carbon steel& galvanize
N	Hex Wrench	1	Carbon steel& galvanize
O	Hex Wrench	1	Carbon steel& galvanize
P	Hex Wrench	1	Carbon steel& galvanize
V1	Screw	8	Stainless steel&Steel
V2	Screw	2	Stainless steel&Steel
V3	Plug	2	PE&White