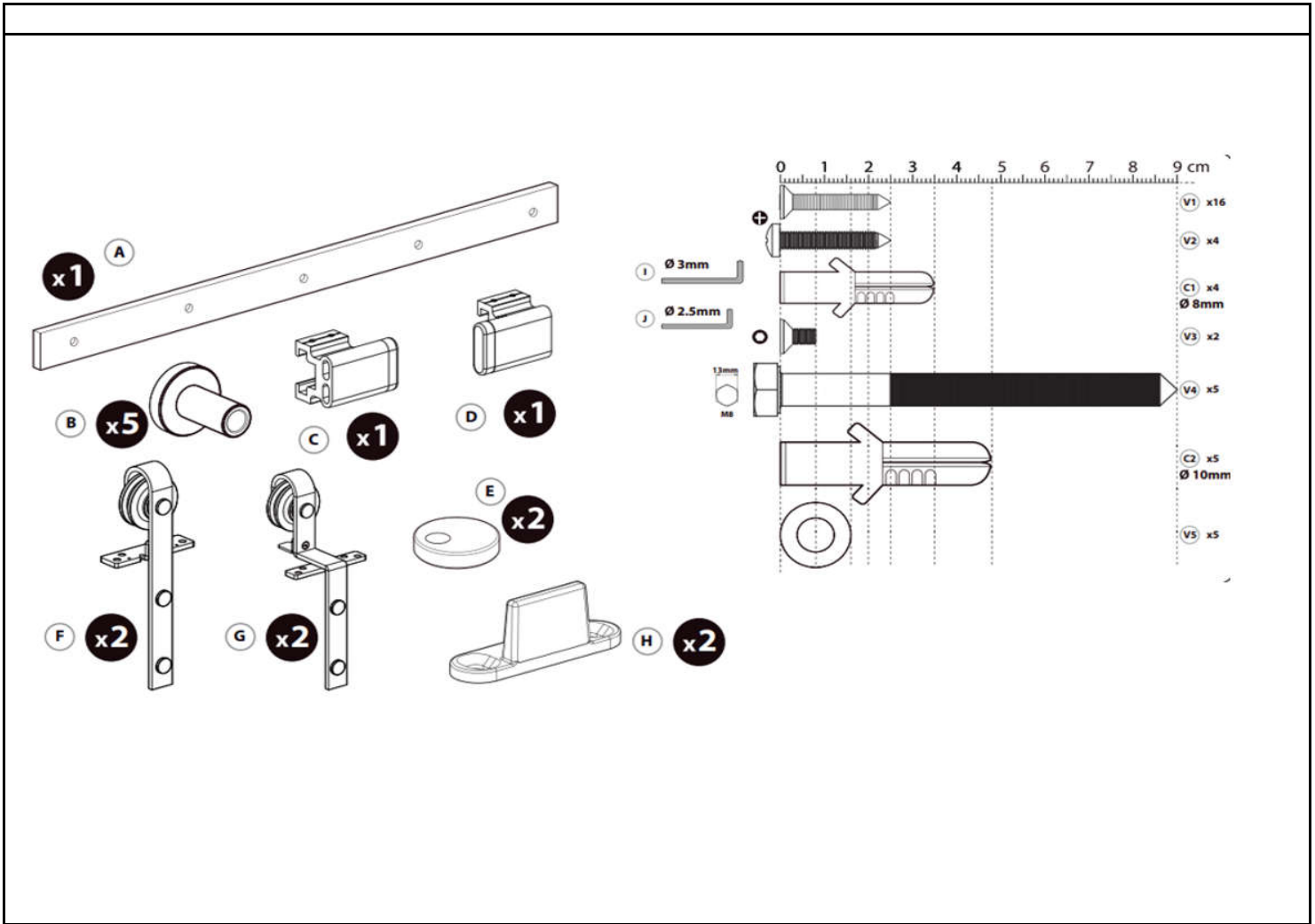


Product exploded view

ADEO Ref	91176299
EAN Code	3276007806038



Parts No.	Name	Quantity	Material & Surface process
A	Sliding rail	1	Carbon steel&Black
B	Spacer	5	Carbon steel&Black
C	Door Stopper	1	Aluminum,POM&Black
D	Door Stopper	1	Aluminum,POM&Black
E	Anti-jump block	2	POM&Black
F	Roller	2	Carbon steel;POM&Black
G	Roller	2	Carbon steel;POM&Black
H	Floor guide	2	POM&Black
I	Hex wrench	1	Carbon steel& galvanize
J	Hex wrench	1	Carbon steel& galvanize
V1	Screw	16	Stainless Steel&Black
V2	Screw	4	Stainless Steel&Steel
C1	Plug	4	PE&White
V3	Screw	2	Carbon steel& Black
V4	Screw	5	Carbon steel& Black
C2	Plug	5	PE&grey
V5	Shim	5	Carbon steel& Black