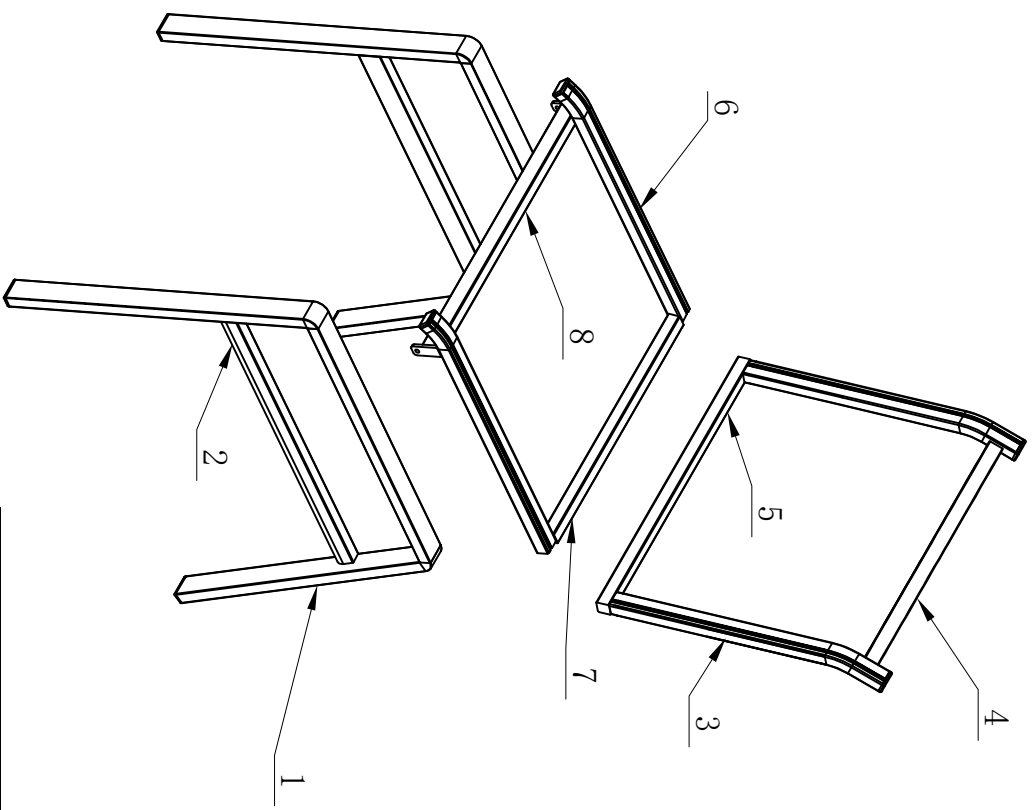


no	matr ref	part designation	qty	raw material	spec	source of raw material	% of recycled material	surface treatment	part net weight
1	ALU-636	Feet tube	2	Aluminum	60x19x1, 2x1610	Ta.130cu		powder coating	1,630
2	VALD-651	Foot support tube	2	Aluminum	40x20x1, 2x660	Ta.130cu		powder coating	0,428
3	VALD-3194	Rear seat canal	2	Aluminum	30x22x1, 20x405	Ta.130cu		powder coating	0,412
4	VALD-600	Back support tube	1	Aluminum	24x14x1, 1x485	Ta.130cu		powder coating	0,118
5	VALD-319	Inner for lateral tube	1	Aluminum	22x22x1, 2x1530	Ta.130cu		powder coating	0,185
6	VALD-3194	Seat tube	2	Aluminum	30x22x1, 20x510	Ta.130cu		powder coating	0,432
7	VALD-1022	Rear seat tube	1	Aluminum	30x20x1, 2x425	Ta.130cu		powder coating	0,116
8	VALD-050	Anterior transverse tube	1	Aluminum	30x20x1, 2x525	Ta.130cu		powder coating	0,153



Rev	NAME	DATE
01		
02		
03		
04		
05		
06		

MATERIALFINISHING:  
 ADED - 13% the Steel Cent  
 CS 00001 - 57001 KONCHIN  
 FRANCE

GENERAL TOLERANCES: L:  $\pm 0.10mm$  W:  $\pm 0.10mm$  H:  $\pm 0.10mm$   
 LINEAR:  $\pm 0.15mm$   
 ANGULAR:  $\pm 0.15^\circ$

FIGURE:

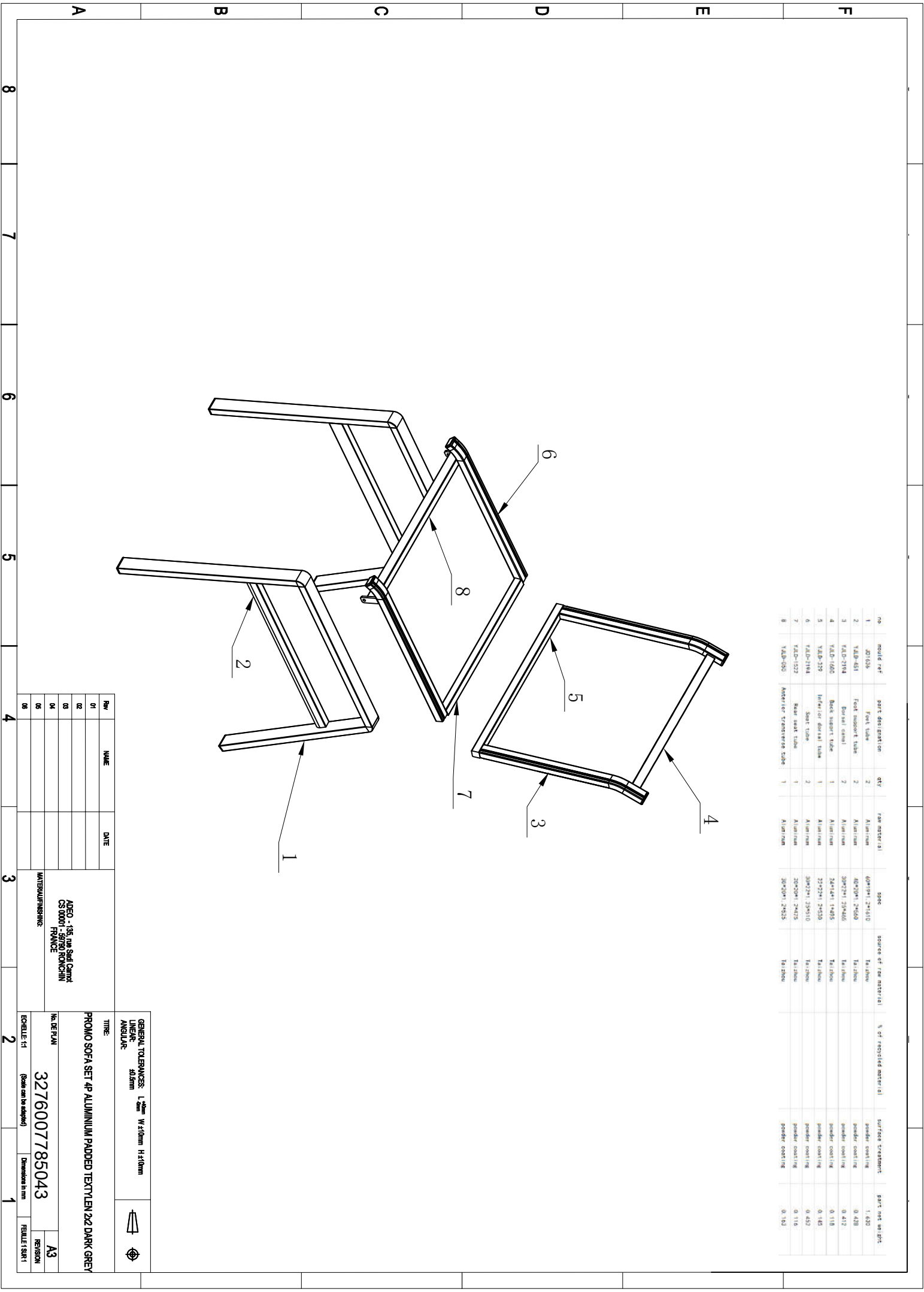
TITLE: PROMIO SOFA SET 4P ALUMINIUM PADDED TEXTYLEN 2x2 DARK GREY

No. DE PLAN: 3276007785043

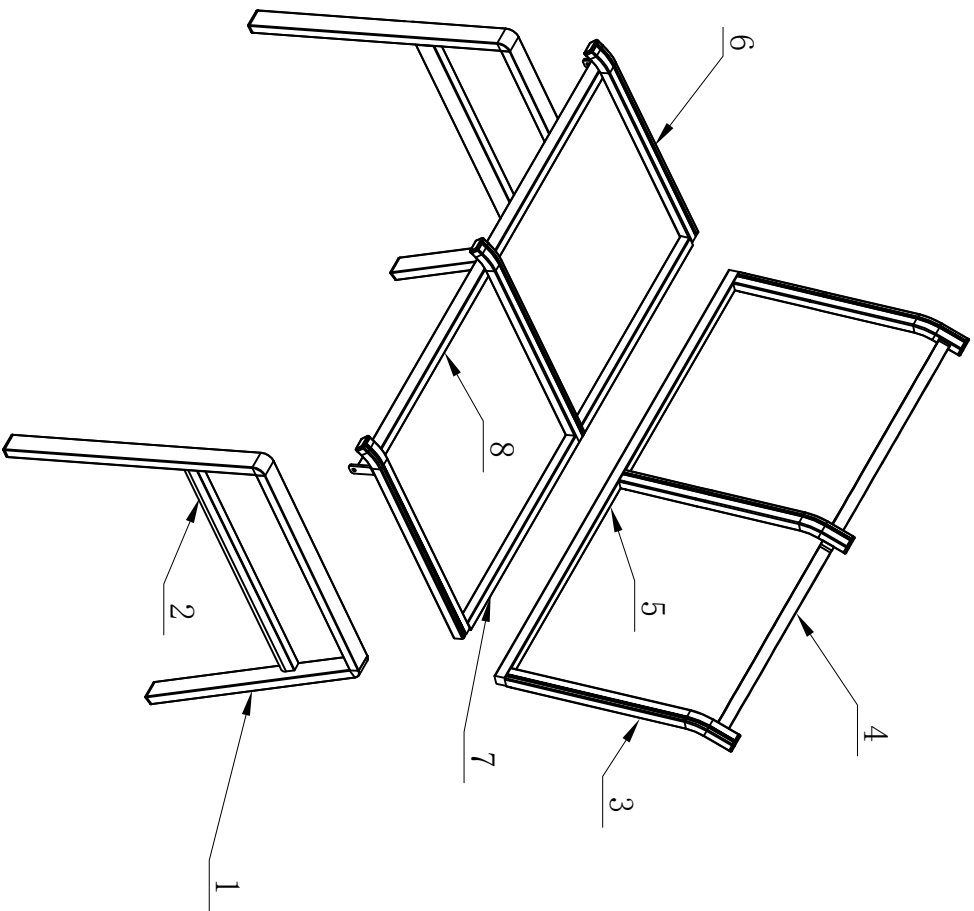
REVISION: A3

ESCHALE: H1 (scale can be adapted) Dimensions in mm

RESULT: 1/2021



no.	mod / ref	part det / position	qty	raw mater. n°	specs	source of raw mater. n°	% of recycled material	surface treatment	part net weight
1	ALU-1536	Foot tube	2	Aluminum	60x20x1,2x10	Taijibou		powder coating	1,610
2	V.A.L.D-461	Foot support tube	2	Aluminum	60x20x1,2x460	Taijibou		powder coating	0,428
3	V.A.L.D-2194	Support canal	2	Aluminum	30x22x1,20x465	Taijibou		powder coating	0,618
4	V.A.L.D-1006	Back support tube	1	Aluminum	24x14x1,1x1030	Taijibou		powder coating	0,245
5	V.A.L.D-329	Interior dorsal tube	1	Aluminum	32x22x1,2x1045	Taijibou		powder coating	0,291
6	V.A.L.D-2194	Seat tube	3	Aluminum	30x22x1,20x510	Taijibou		powder coating	0,677
7	V.A.L.D-522	Rear seat tube	2	Aluminum	20x20x1,2x480	Taijibou		powder coating	0,116
8	V.A.L.D-050	Anterior transverse tube	1	Aluminum	30x20x1,2x1055	Taijibou		powder coating	0,327
9	V.A.L.D-1424	Front cross slip (long) (mm)	1	Iron	27x17x0,8x1050	Taijibou			0,589



REV	NAME	DATE
01		
02		
03		
04		
05		
06		

ADEL - 13% rue Sadi Carnot  
 CS 90001 - 59700 RONCHIN  
 FRANCE

MATERIALFINISHING

GENERAL TOLERANCES: L:  $\pm 0,5mm$  W:  $\pm 0,5mm$  H:  $\pm 0,5mm$   
 LINEAR:  $\pm 0,5mm$   
 ANGULAR:



TITRE: PROMO SOFA SET 4P ALUMINIUM PADDED TEXTYLEN 2x2 DARK GREY

No. DE PLAN

3276007785043

A3

REVISION

ECHELLE: 1:1

(scale can be adapted)

Dimensions in mm

RESULT: 1/24/1

A

B

C

D

E

F

8

7

6

5

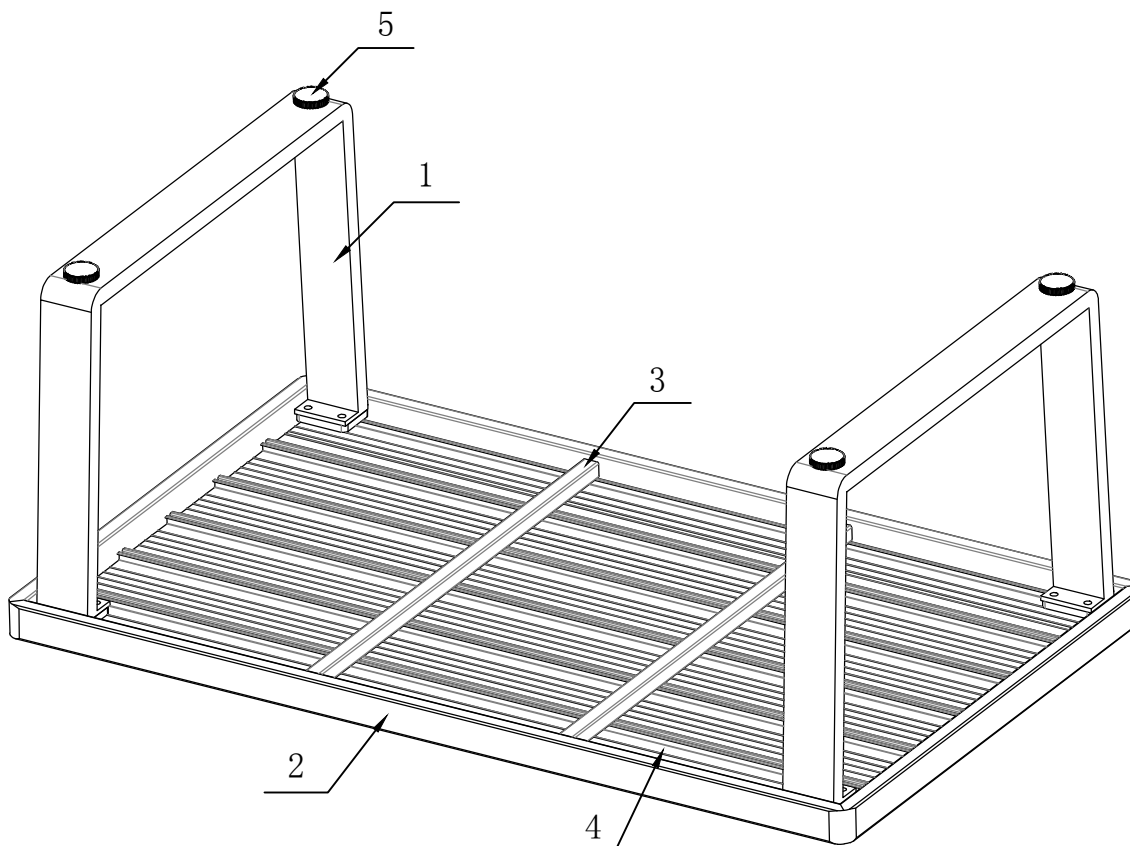
4

3

2

1

N°	Mould no	ADEO code	Description	Qty	Material	Size	Source of raw material	% of recycled material	surface treatment	part net weight
1	JD-1636	2025R09P12-0151	Foot tube	2	Aluminum	60*19*1.2*1225	TAIZHOU		powder coating	0.602
2	YJLD-1490	2025R09P12-0151	Table frame tube 1	1	Aluminum	38*30*1.2*3165	TAIZHOU		powder coating	1.283
3	YJLD-1927	2025R09P12-0151	Table frame support tube	2	Aluminum	18*18*1.2*565	TAIZHOU		powder coating	0.119
4	YJLD-2450	2025R09P12-0151	Desktop slats	6	Aluminum	90*10*1.1*960	TAIZHOU		powder coating	0.341
5	CP-153	2025R09P12-0151	foot pad	4	Copolymerization					



100\*60\*40cm (±2%)

Rev	NAME	DATE
01		
02		
03		
04		
05		
06		



MATERIAL/FINISHING

GENERAL TOLERANCES: LINEAR: ANGULAR:	
TITRE: PROMO SOFA SET 4P ALUMINIUM PADDED TEXTYLEN 2x2 DARK GREY	
No. DE PLAN 3276007785043	A3 REVISION
ECHELLE: 1:1 (Scale can be adapted) Dimensions in mm	FEUILLE 1 SUR