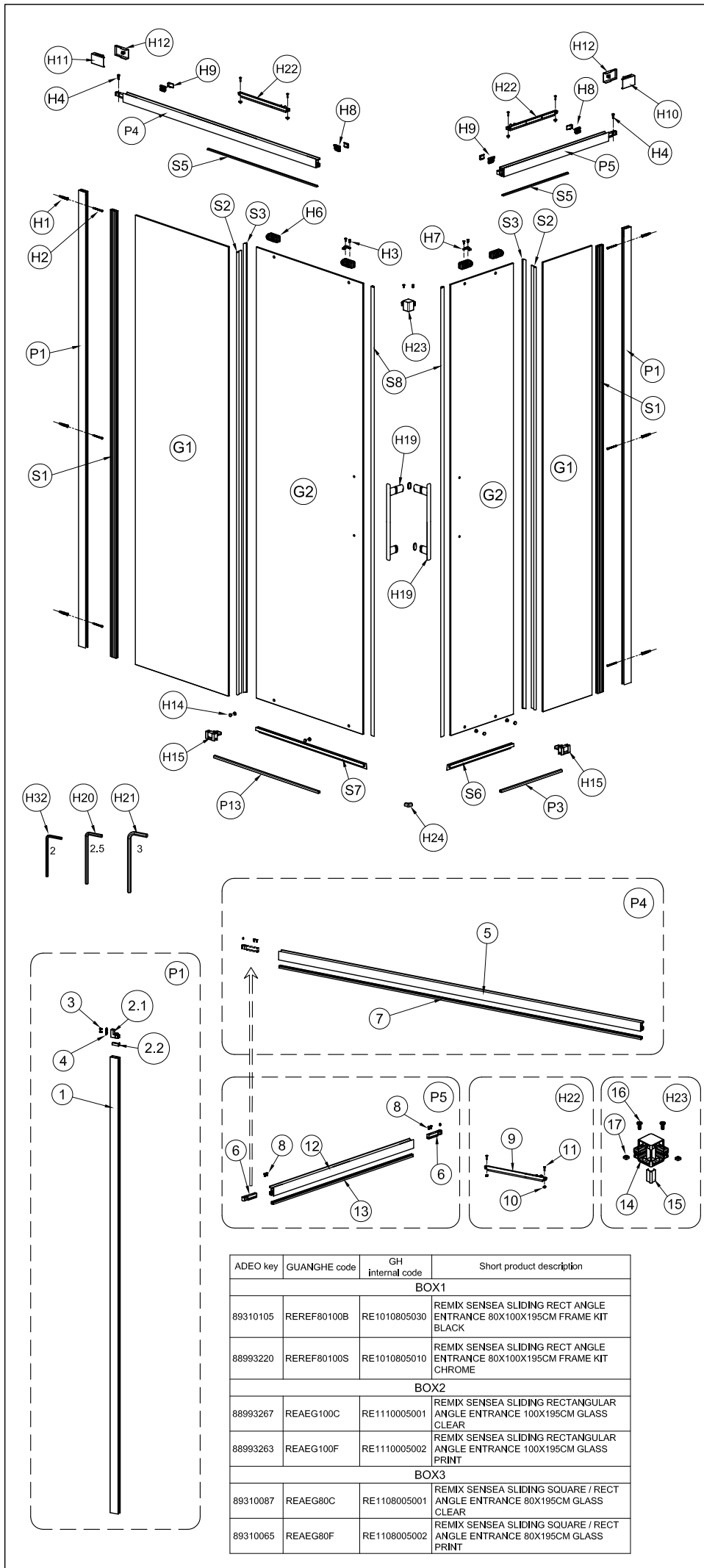


| ADEO key | GUANGHE code | GH internal code | Short product description |
|-------------|--------------|------------------|--|
| BOX1 | | | |
| 89310112 | REREF70100B | RE1010705030 | REMIX SENSEA SLIDING RECT ANGLE ENTRANCE 70X100X195CM FRAME KIT BLACK |
| 88993216 | REREF70100S | RE1010705010 | REMIX SENSEA SLIDING RECT ANGLE ENTRANCE 70X100X195CM FRAME KIT CHROME |
| BOX2 | | | |
| 88993267 | REAEG100C | RE1110005001 | REMIX SENSEA SLIDING RECTANGULAR ANGLE ENTRANCE 100X195CM GLASS CLEAR |
| 88993263 | REAEG100F | RE1110005002 | REMIX SENSEA SLIDING RECTANGULAR ANGLE ENTRANCE 100X195CM GLASS PRINT |
| BOX3 | | | |
| 88993243 | REAEG70C | RE1107005001 | REMIX SENSEA SLIDING SQUARE / RECT ANGLE ENTRANCE 70X195CM GLASS CLEAR |
| 89310078 | REAEG70F | RE1107005002 | REMIX SENSEA SLIDING SQUARE / RECT ANGLE ENTRANCE 70X195CM GLASS PRINT |

| BOX1 | | | | |
|-------------|--------------|----------------|----------------|----------------|
| Manual NO. | Product Code | | | |
| | RE1010705010 | RE1010705020 | RE1010705030 | |
| | Code. | Code. | Code. | |
| P1 | 1 | 3211601949D3 | 3311601949GDD3 | 3311601949BLD3 |
| | 2.1 | 0404136-1 | | |
| | 2.2 | 0404136-2 | | |
| | 3 | 2002001 | | |
| | 4 | 0404138 | | |
| P4 | 5 | 3211810895D1 | 3311810895GDD1 | 3311810895BLD1 |
| | 7 | 0204850893 | | |
| P5 | 6 | 0404137 | | |
| | 8 | 2002140 | | |
| | 12 | 3211810595D1 | 3311810595GDD1 | 3311810595BLD1 |
| | 13 | 0204850593 | | |
| P3 | 3207010345D1 | 3307010345GDD1 | 3307010345BLD1 | |
| P13 | 3207010495D1 | 3307010495GDD1 | 3307010495BLD1 | |
| S1 | 0204871909 | | | |
| S2 | 0204881890 | | | |
| S3 | 0204811927 | | | |
| S5 | 0204860625 | 0204860625 | 0204860625BL | |
| S6 | 0204830352 | | | |
| S7 | 0204830502 | | | |
| S8 | 0201921916 | | | |
| H1 | 2005004 | | | |
| H2 | 2001111 | | | |
| H3 | 2002140 | | | |
| H4 | 2002133 | | | |
| H6 | 2812065 | 2812065GD | 2812065BL | |
| H7 | 0404135 | 0404135GD | 0404135BL | |
| H8 | 0701071 | 0701071GD | 0701071BL | |
| H9 | 0701072 | 0701072GD | 0701072BL | |
| H10 | 0403690 | 0403690GD | 0403690BL | |
| H11 | 0403691 | 0403691GD | 0403691BL | |
| H12 | 0403693 | 0403693GD | 0403693BL | |
| H14 | 2301037 | | | |
| H15 | 2203042 | 2203042GD | 2203042BL | |
| H19 | 1042007 | 1042007GD | 1042007BL | |
| H20 | 3601001 | | | |
| H21 | 3601002 | | | |
| H22 | 9 | 2007012 | | |
| | 10 | 2004023 | | |
| | 11 | 2002138 | | |
| H23 | 14 | 0403697 | 0403697GD | 0403697BL |
| | 15 | | | |
| | 16 | | | |
| | 17 | | | |
| H24 | 0403698 | 0403698GD | 0403698BL | |
| H32 | 3601004 | | | |

| BOX2 | | |
|-------------|--------------|--------------|
| Manual NO. | Product Code | Product Code |
| | Code. | Code. |
| G1 | 2906050310 | 2906050359 |
| G2 | 2906050315 | 2906050364 |

| BOX3 | | |
|-------------|--------------|--------------|
| Manual NO. | Product Code | Product Code |
| | Code. | Code. |
| G1 | 2906050307 | 2906050356 |
| G2 | 2906050312 | 2906050361 |



| BOX1 | | | | |
|------------|--------------|----------------|----------------|----------------|
| Manual NO. | Product Code | | | |
| | RE1010805010 | RE1010805020 | RE1010805030 | |
| | Code. | Code. | Code. | |
| P1 | 1 | 3211601949D3 | 3311601949GDD3 | 3311601949BLD3 |
| | 2.1 | 0404136-1 | | |
| | 2.2 | 0404136-2 | | |
| | 3 | 2002001 | | |
| P4 | 4 | 0404138 | | |
| | 5 | 3211810895D1 | 3311810895GDD1 | 3311810895BLD1 |
| P5 | 7 | 0204850893 | | |
| | 6 | 0404137 | | |
| | 8 | 2002140 | | |
| P3 | 12 | 3211810695D1 | 3311810695GDD1 | 3311810695BLD1 |
| | 13 | 0204850693 | | |
| P13 | 3207010395D1 | 3307010395GDD1 | 3307010395BLD1 | |
| S1 | 0204871909 | | | |
| S2 | 0204881890 | | | |
| S3 | 0204811927 | | | |
| S5 | 0204860625 | 0204860625 | 0204860625BL | |
| S6 | 0204830402 | | | |
| S7 | 0204830502 | | | |
| S8 | 0201921916 | | | |
| H1 | 2005004 | | | |
| H2 | 2001111 | | | |
| H3 | 2002140 | | | |
| H4 | 2002133 | | | |
| H6 | 2812065 | 2812065GD | 2812065BL | |
| H7 | 0404135 | 0404135GD | 0404135BL | |
| H8 | 0701071 | 0701071GD | 0701071BL | |
| H9 | 0701072 | 0701072GD | 0701072BL | |
| H10 | 0403690 | 0403690GD | 0403690BL | |
| H11 | 0403691 | 0403691GD | 0403691BL | |
| H12 | 0403693 | 0403693GD | 0403693BL | |
| H14 | 2301037 | | | |
| H15 | 2203042 | 2203042GD | 2203042BL | |
| H19 | 1042007 | 1042007GD | 1042007BL | |
| H20 | 3601001 | | | |
| H21 | 3601002 | | | |
| H22 | 9 | 2007012 | | |
| | 10 | 2004023 | | |
| H23 | 11 | 2002138 | | |
| | 14 | 0403697 | 0403697GD | 0403697BL |
| | 15 | | | |
| | 16 | | | |
| 17 | | | | |
| H24 | 0403698 | 0403698GD | 0403698BL | |
| H32 | 3601004 | | | |

| BOX2 | | |
|------------|--------------|--------------|
| Manual NO. | Product Code | Product Code |
| G1 | RE1110005001 | RE1110005002 |
| | Code. | Code. |
| G1 | 2906050310 | 2906050359 |
| G2 | 2906050315 | 2906050364 |

| BOX3 | | |
|------------|--------------|--------------|
| Manual NO. | Product Code | Product Code |
| G1 | RE1108005001 | RE1108005002 |
| | Code. | Code. |
| G1 | 2906050308 | 2906050357 |
| G2 | 2906050313 | 2906050362 |

| ADEO key | GUANGHE code | GH internal code | Short product description |
|----------|--------------|------------------|--|
| BOX1 | | | |
| 89310105 | REREF80100B | RE1010805030 | REMIX SENSEA SLIDING RECT ANGLE ENTRANCE 80X100X195CM FRAME KIT BLACK |
| 88993220 | REREF80100S | RE1010805010 | REMIX SENSEA SLIDING RECT ANGLE ENTRANCE 80X100X195CM FRAME KIT CHROME |
| BOX2 | | | |
| 88993267 | REAEG100C | RE1110005001 | REMIX SENSEA SLIDING RECTANGULAR ANGLE ENTRANCE 100X195CM GLASS CLEAR |
| 88993263 | REAEG100F | RE1110005002 | REMIX SENSEA SLIDING RECTANGULAR ANGLE ENTRANCE 100X195CM GLASS PRINT |
| BOX3 | | | |
| 89310087 | REAEG80C | RE1108005001 | REMIX SENSEA SLIDING SQUARE / RECT ANGLE ENTRANCE 80X195CM GLASS CLEAR |
| 89310065 | REAEG80F | RE1108005002 | REMIX SENSEA SLIDING SQUARE / RECT ANGLE ENTRANCE 80X195CM GLASS PRINT |