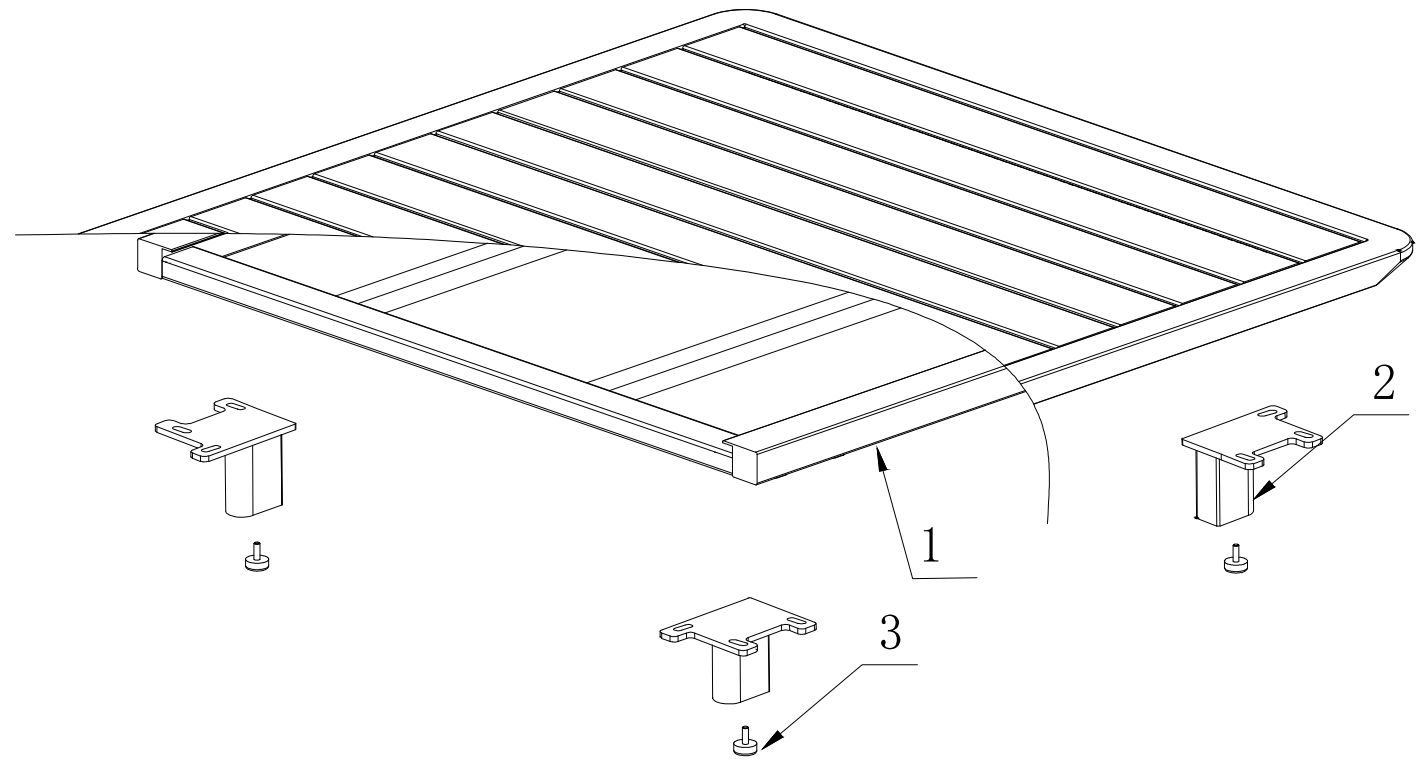


N°	Mould no	ADEO code	Description	Qty	Material	Size	Source of raw material	% of recycled material	surface treatment	part net weight
1	YJLD-146	2025R09P12-0210	Inner frame tube	4	Aluminum	30*30*1.3*765	TAIZHOU		powder coating	0.293
2	YJLD-1523	2025R09P12-0210	leg tube	4	Aluminum	50*28*1.5*120	TAIZHOU		powder coating	0.067
3	CP-153	2025R09P12-0210	adjust knob	4	PP					



Rev	NAME	DATE
01		
02		
03		
04		
05		
06		

**adeo**  
 ADEO 135, rue Sadi Carnot  
 CS 00001 - 59790 RUMICIN  
 FRANCE

GENERAL TOLERANCES: LINEAR: ANGULAR:	
TITRE: TABLE FOR LOUNGE SOFA SET MATERIAL DUNA ALU FSC TEAK	
No. DE PLAN 3276007784824	A3 REVISION
ECHELLE: 1:1 (Scale can be adapted) Dimensions in mm	FEUILLE 1 SUR