



AT	AUSTRIA
----	---------

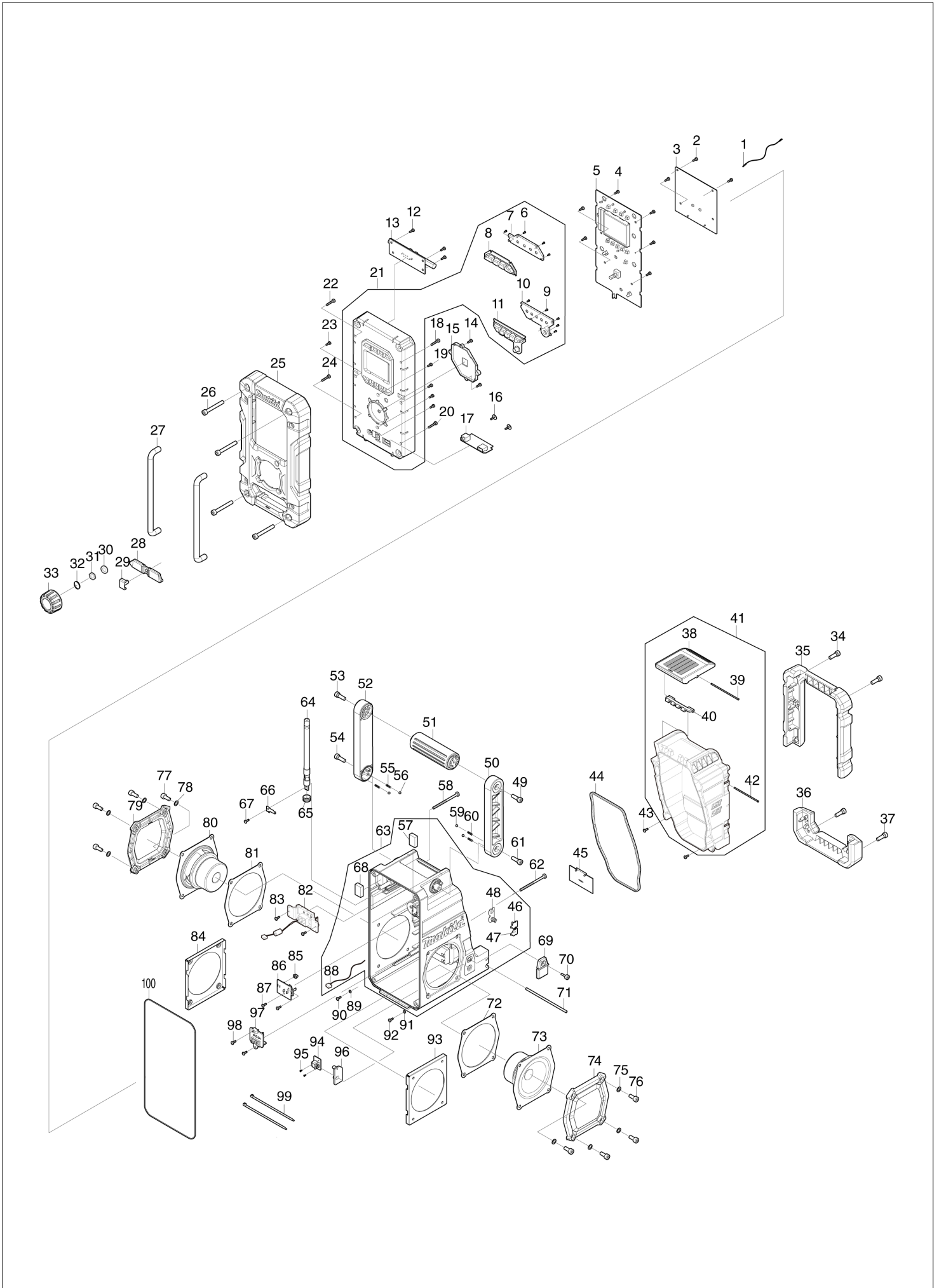
Diagram / Parts List

DMR108N

JOB SITE RADIO



(AT) DMR108N / JOB SITE RADIO



AT

AUSTRIA

DMR108N / JOB SITE RADIO

Item	Sub	Parts No.	Parts Description	Qty	I/C	E/C No.	Close No.	Remark
001		SE00000437	WIRE	1				
002		SE00000325	SCREW PTB 3X8(NI)	3				
003		SE00001058	PCB A ASS'Y	1				
004		SE00000325	SCREW PTB 3X8(NI)	6				
005		SE00001061	PCB C ASS'Y	1				
006		SE09090011	SCREW 1.7	4				
007		SE00000333	POWER BUTTON HOLDER	1				
008		SE00000334	POWER BUTTON	1				
009		SE09090011	SCREW 1.7	5				
010		SE00000336	PRESET BUTTON HOLDER	1				
011		SE00000337	PRESET BUTTON	1				
012		SE00000325	SCREW PTB 3X8(NI)	3				
013		SE00000339	PCB P ANT BAR ASS'Y	1				
014		SE00000325	SCREW PTB 3X8(NI)	2				
015		SE00000656	KNOB LENS HOLDER	1				
016		SE00000193	SCREW 3X10	2				
017		SE00000343	PCB P USB ASS'Y	1				
018		SE09064161	SCREW M4X16	1				
019		SE00000325	SCREW PTB 3X8(NI)	4				
020		SE09064161	SCREW M4X16	1				
021		SE00001063	FRONT CABINET ASS'Y	1				
	D10		INC. 6-11					
022		SE09064161	SCREW M4X16	1				
023		SE00000325	SCREW PTB 3X8(NI)	1				
024		SE09064161	SCREW M4X16	1				
025		SE00000351	FRONT BUMPER	1				
026		SE00000160	SCREW PTHE6X47(CR)	4				
027		SE0338PC5Z	FRONT BAR	2				
028		SE00000355	JACK RUBBER COVER	1				
029		SE00000356	JACK COVER	1				
030		SE00000754	EN/SW WASHER	1				
031		SE00000755	EN/SW NUT	1				
032		SE21B1110A	ROTARY KNOB RING	1				
033		SE00000482	ROTARY KNOB (BLK)	1				
034		SE09176166	HEX SCREW M6X16	2				
035		SE00000357	BATTERY BUMPER	1				
036		SE00000359	REAR BUMPER	1				
037		SE09176166	HEX SCREW M6X16	2				
038		SE00000362	LOCKER COVER	1				
039		SE00000364	LOCKER FIXER PIN 73.5MM	1				
040		SE00000365	LOCK HINGER	1				
041		SE00001064	BATTERY COVER ASS'Y	1				
	D10		INC. 38-40,42					
042		SE00000369	LOCKER FIXER PIN 64.5MM	1				
043		SE00000325	SCREW PTB 3X8(NI)	2				
044		SE00000371	BATTERY COVER PACKING	1				
045		SE0307PC5Z	BACK UP BATTERY COVER	1				
046		SE00000466	BATTERY CONTACT(+) 2100RA00700	1				
047		SE00000467	BATTERY CONTACT (-)2100PL00200	1				
048		SE021E9030	+/- BATTERY CONTACT ASS'Y	1				
049		SE00000176	SCREW PTHE6X20(CR)	1				
050		SE00000177	HANDLE HOLDER(R)	1				
051		SE00000179	HANDLE	1				
052		SE00000180	HANDLE HOLDER (L)	1				
053		SE00000176	SCREW PTHE6X20(CR)	1				
054		SE09176166	HEX SCREW M6X16	1				
055		SE00000184	SPRING	2				
056		SE09994007	STEEL BALL	2				
057		SE023PC020	EVA 25X18X5.5	1				
058		SE00000445	SCREW PTB 3X45(NI)	1				
059		SE09994007	STEEL BALL	2				
060		SE00000184	SPRING	2				
061		SE09176166	HEX SCREW M6X16	1				
062		SE00000445	SCREW PTB 3X45(NI)	1				
063		SE00001066	REAR CABINET ASS'Y	1				

A:

Interchange

O : Yes

X : No

< : the new part can be substituted for the current.

> : the current part can be substituted for the new.

S : Interchangeable as a set.

