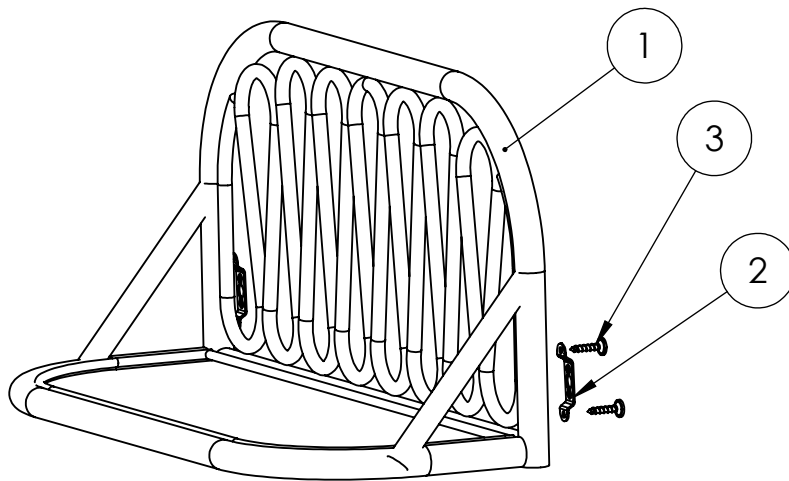
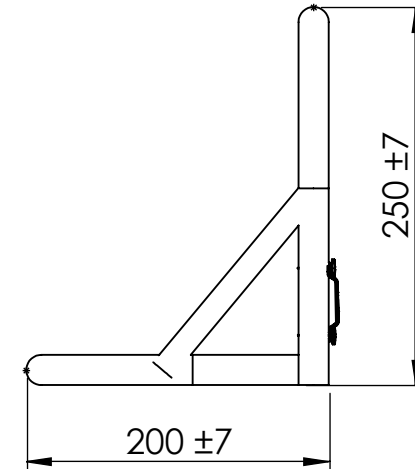
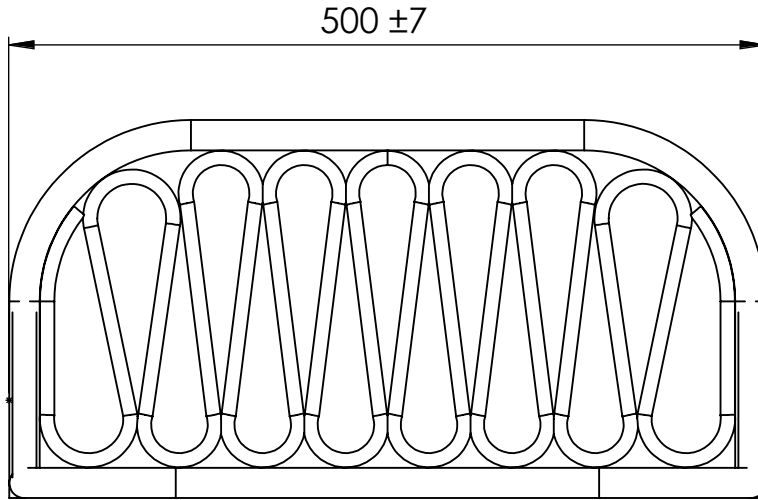


Product : SPACEO shelf rattan  
 EAN : 3276007812640



3	Screw	04	Steel
2	Metal Hook	02	Steel
1	Frame	01	Rattan - Plywood
Part No.	Description	Qty.	Material

<table border="1"> <tr> <td>△3</td> <td></td> <td></td> <td></td> </tr> <tr> <td>△2</td> <td></td> <td></td> <td></td> </tr> <tr> <td>△1</td> <td></td> <td></td> <td></td> </tr> <tr> <td>Symbol</td> <td>MODIFICATION</td> <td>BY</td> <td>DATE</td> </tr> <tr> <td>DRAWN</td> <td>CHK'D</td> <td>APPV'D</td> <td></td> </tr> <tr> <td>Tr.Tr.Luan</td> <td>Ng.V.Thang</td> <td>L.C.Toan</td> <td></td> </tr> </table>				△3				△2				△1				Symbol	MODIFICATION	BY	DATE	DRAWN	CHK'D	APPV'D		Tr.Tr.Luan	Ng.V.Thang	L.C.Toan		PRODUCT <b>SPACEO Shelf</b>		<b>NGOC SON HAFUCO</b>	
△3																															
△2																															
△1																															
Symbol	MODIFICATION	BY	DATE																												
DRAWN	CHK'D	APPV'D																													
Tr.Tr.Luan	Ng.V.Thang	L.C.Toan																													
PART NAME <b>Explode</b>		DWG No:	CREATED DATE 22/06/2024	VERSION 01																											
ITEM CODE:		PDoc.ID: NA	WEIGHT: NA	QUANTITY:																											
MATERIAL			SCALE:1:5																												
			SHEET 1 OF 1																												