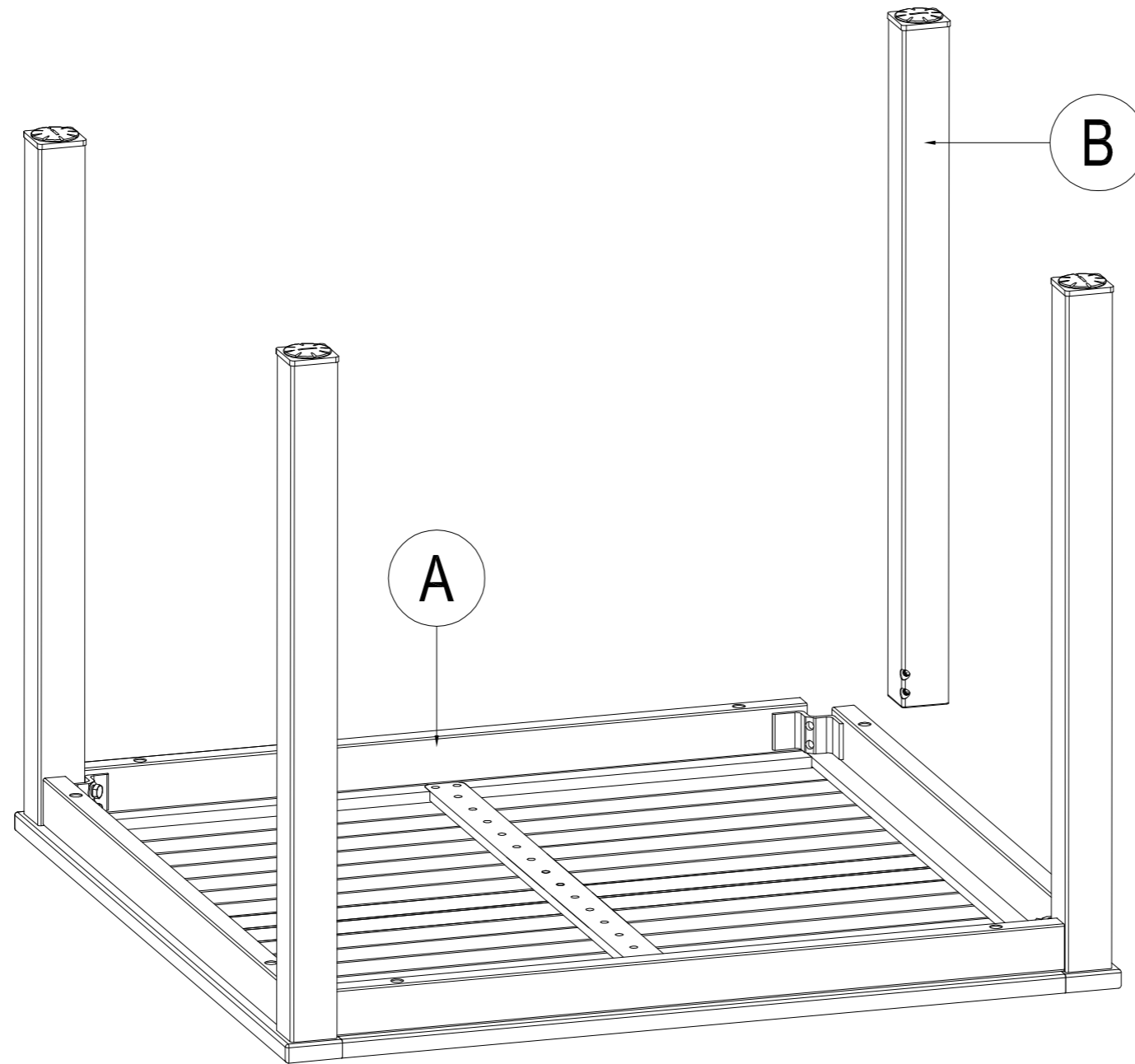


N°	Supplier code	ADEO code	Designation	Qty	Weight
A	SU-TB-AS-0170	3276007784626	ASSEMBLY FRAME	1	9.2kg
B	SU-TB-LF-1432	3276007784626	LEG FRAME	4	1.9kg



GENERAL TOLERANCES:	 
LINEAR:	
ANGULAR:	

Rev	NAME	DATE
01	Scancom	060324
02		
03		
04		
05		
06		

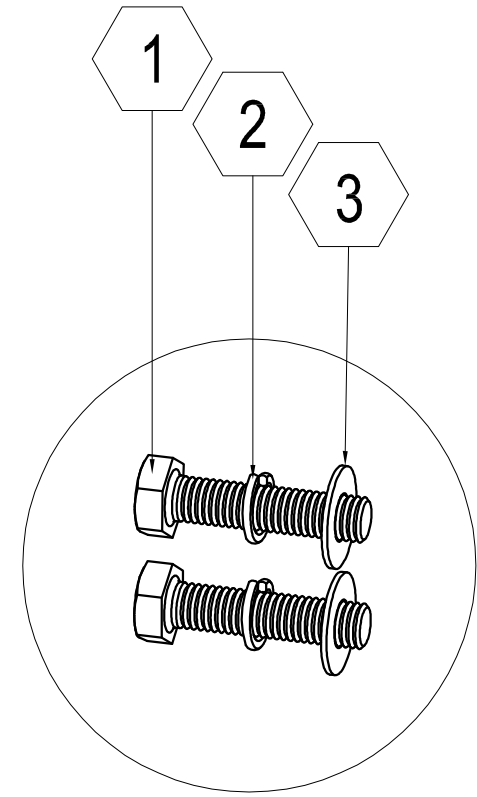
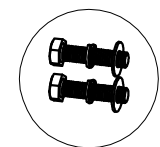
Naterial

ADEO - 135, rue Sadi Carnot
CS 00001 - 59790 RONCHIN
FRANCE

MATERIAU/FINISHING:
EUCALYPTUS

TITRE:	DINING TABLE NATERIAL ORIS FIX ALU + EUCALYPTUS 89X89 WHITE	A3 REVISION
No. DE PLAN		
ECHELLE: 1:1	(Scale can be adapted)	Dimensions in mm
FEUILLE 1 SUR 1		

N°	Supplier code	ADEO code	Designation	Qty	Weight
1	HAS-TBL-1067	3276007784626	Hadware set	1	0.09 kg



GENERAL TOLERANCES:	
LINEAR:	
ANGULAR:	

Rev	NAME	DATE
01	Scancom	060324
02		
03		
04		
05		
06		



ADEO - 135, rue Sadi Carnot
CS 00001 - 59790 RONCHIN
FRANCE

MATERIAU/FINISHING:
EUCALYPTUS

TITRE: DINING TABLE NATERIAL ORIS FIX ALU + EUCALYPTUS 89X89 WHITE	
No. DE PLAN 3276007784626	A3 REVISION
ECHELLE: 1:1 (Scale can be adapted)	Dimensions in mm FEUILLE 1 SUR 1