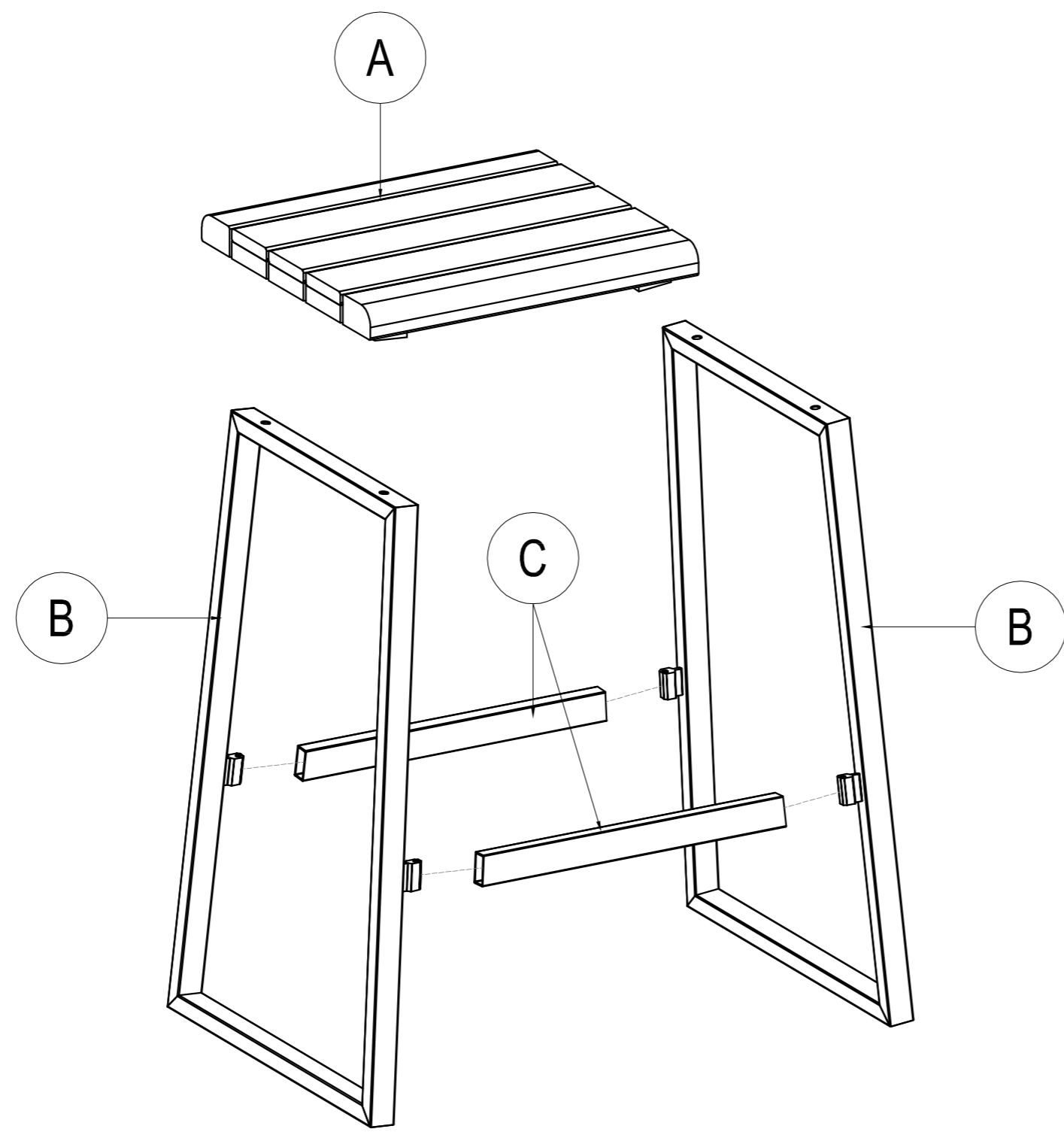


N°	Supplier code	ADEO code	Designation	Qty	Weight
A	SU-TB-TF-	3276007784664	TOP FRAME	1	2.7kg
B	SU-TB-LF-	3276007784664	LEG FRAME	2	1.4kg
C	C-A-TB-CB-	3276007784664	CROSS BAR	2	0.3kg



<b>GENERAL TOLERANCES:</b>	
LINEAR:	
ANGULAR:	

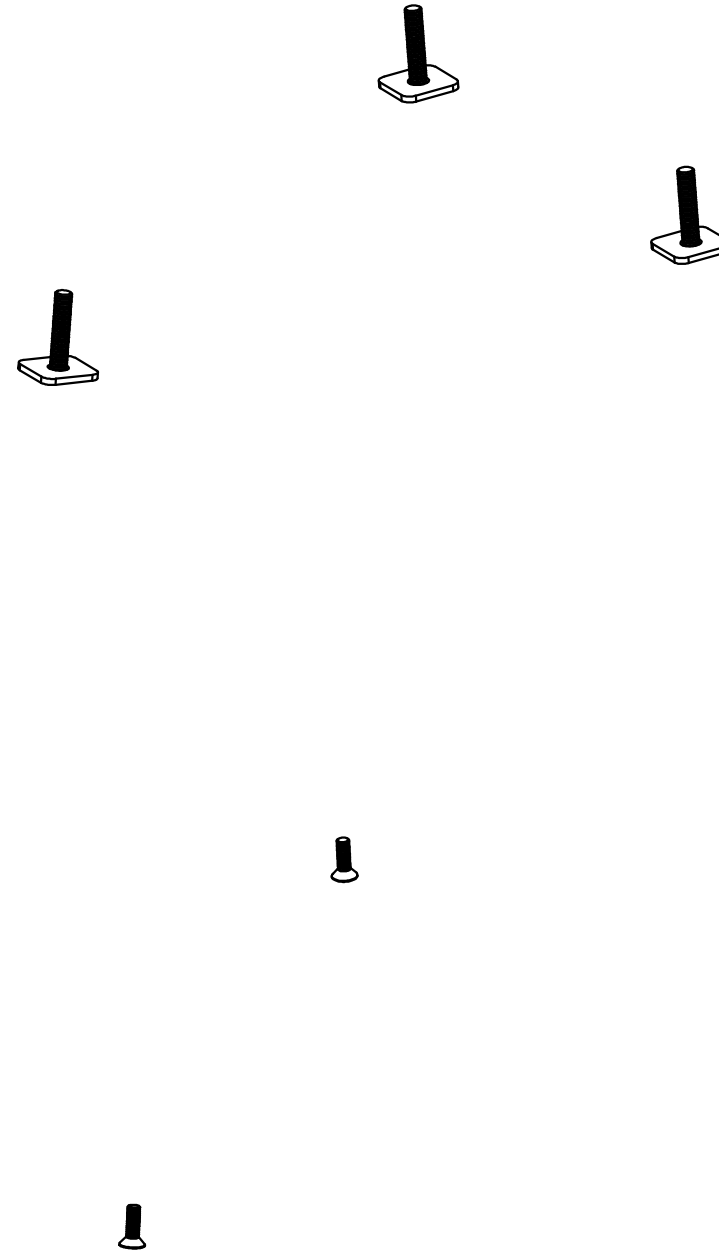
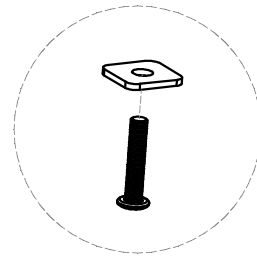
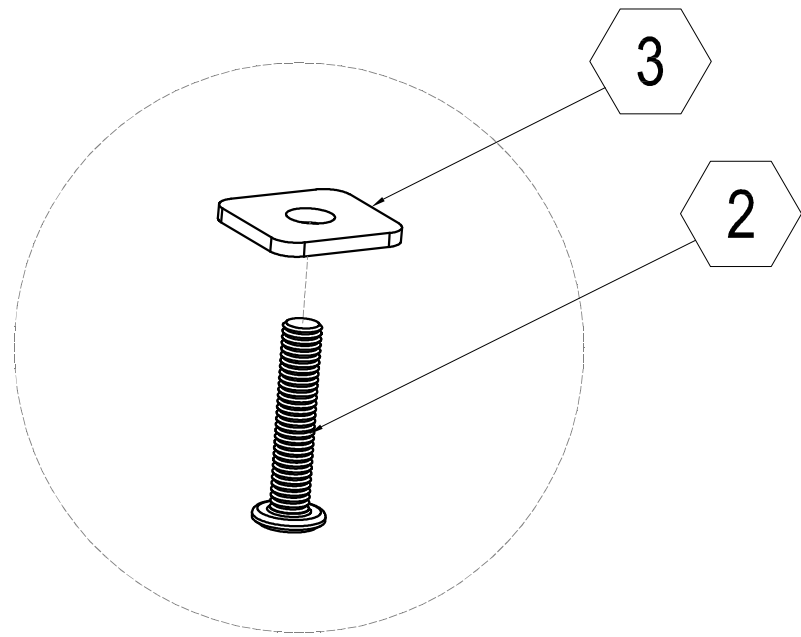
Rev	NAME	DATE
01	Scancom	060324
02		
03		
04		
05		
06		

**Naterial**  
ADEO - 135, rue Sadi Carnot  
CS 00001 - 59790 RONCHIN  
FRANCE

MATERIAU/FINISHING:  
**TEAK**

TITRE: HIGH STOOL NATERIAL ALU FSC TEAK D.GR/NATURE		A3 REVISION
No. DE PLAN	3276007784664	
ECHELLE: 1:1	(Scale can be adapted)	Dimensions in mm
FEUILLE 1 SUR 1		

N°	Supplier code	ADEO code	Designation	Qty	Weight
1	HAS-CHR-1419	3276007784664	Hardware set	1	0.05 kg



<b>GENERAL TOLERANCES:</b>	
LINEAR:	
ANGULAR:	

Rev	NAME	DATE
01	Scancom	060324
02		
03		
04		
05		
06		



ADEO - 135, rue Sadi Carnot  
CS 00001 - 59790 RONCHIN  
FRANCE

MATERIAU/FINISHING:  
TEAK

TITRE:  
HIGH STOOL NATERIAL ALU FSC  
TEAK D.GR/NATURE

No. DE PLAN  
3276007784664

A3  
REVISION

ECHELLE: 1:1 (Scale can be adapted) Dimensions in mm FEUILLE 1 SUR 1