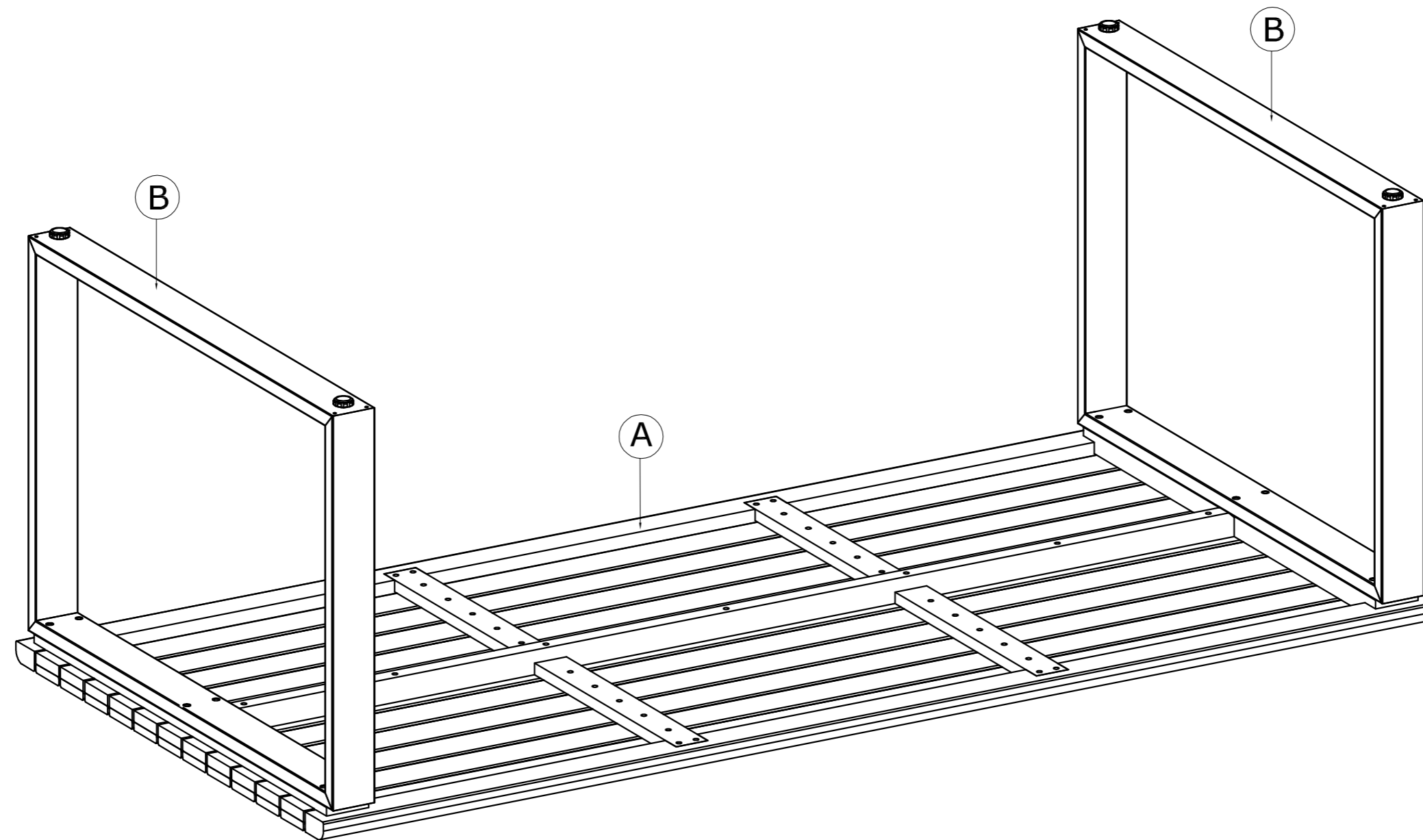


N°	Supplier code	ADEO code	Designation	Qty	Weight
A	SU-TB-TF-	3276007784602	TOP FRAME	1	28.3kg
B	SU-TB-LF-	3276007784602	LEG FRAME	2	6.2kg



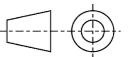
Rev	NAME	DATE
01	Scancom	060324
02		
03		
04		
05		
06		

Naterial

ADEO - 135, rue Sadi Carnot
CS 00001 - 59790 RONCHIN
FRANCE

MATERIAU/FINISHING:
TEAK

GENERAL TOLERANCES:
LINEAR:
ANGULAR:



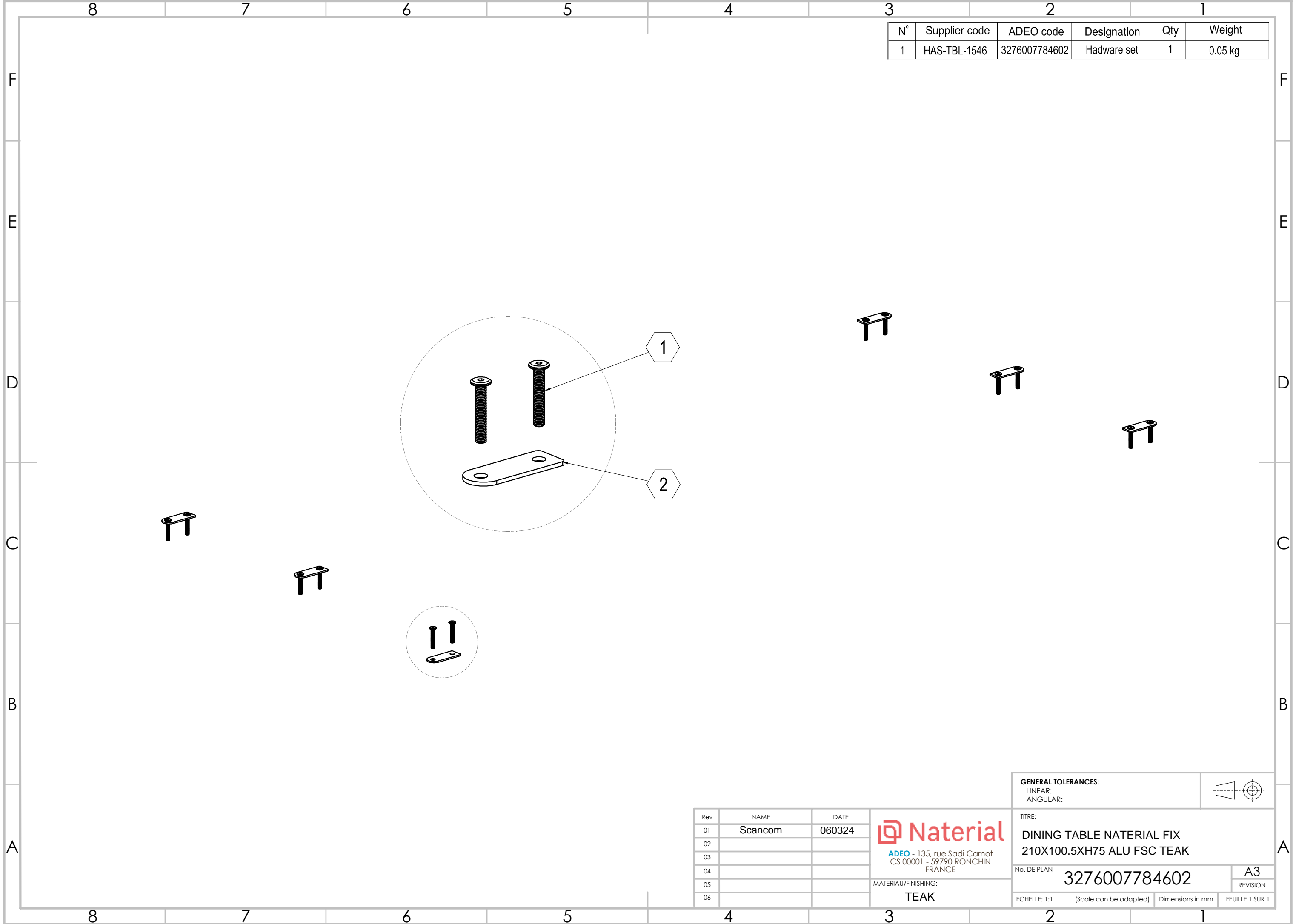
TITRE:
**DINING TABLE NATERIAL FIX
210X100.5XH75 ALU FSC TEAK**

No. DE PLAN
3276007784602

A3
REVISION

ECHELLE: 1:1 (Scale can be adapted) Dimensions in mm FEUILLE 1 SUR 1

N°	Supplier code	ADEO code	Designation	Qty	Weight
1	HAS-TBL-1546	3276007784602	Hadware set	1	0.05 kg



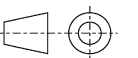
Rev	NAME	DATE
01	Scancom	060324
02		
03		
04		
05		
06		

Naterial

ADEO - 135, rue Sadi Carnot
CS 00001 - 59790 RONCHIN
FRANCE

MATERIAU/FINISHING:
TEAK

GENERAL TOLERANCES:
LINEAR:
ANGULAR:



TITRE:
**DINING TABLE MATERIAL FIX
210X100.5XH75 ALU FSC TEAK**

No. DE PLAN
3276007784602

A3
REVISION

ECHELLE: 1:1 (Scale can be adapted) Dimensions in mm FEUILLE 1 SUR 1