

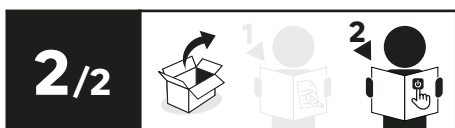
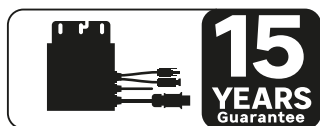
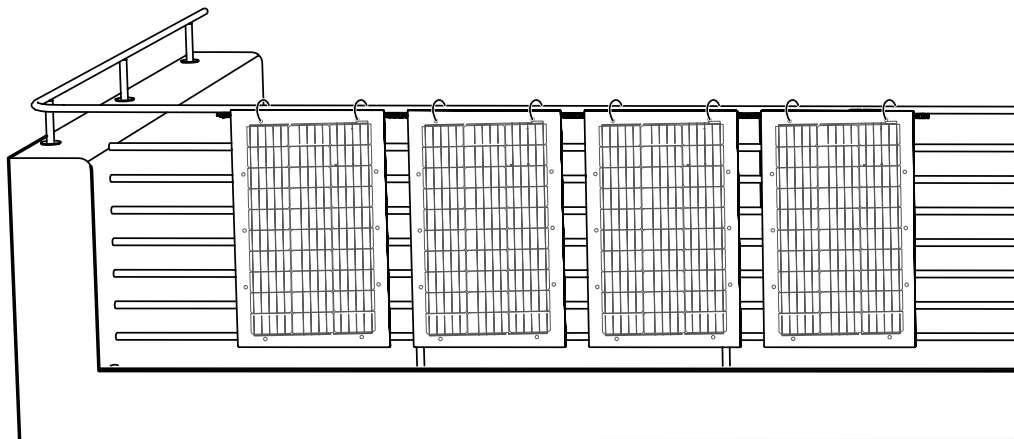
Lexman

5
YEARS
Guarantee*

15
YEARS
Guarantee**

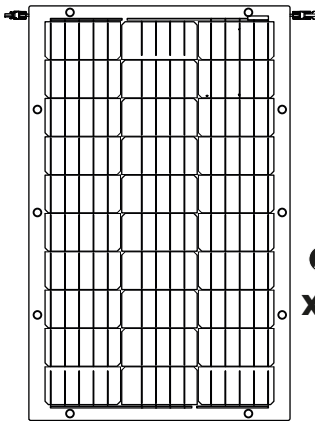
FLEXIBLE SOLAR KIT
PLUG & PLAY

EAN : 3276007874167
ADEO KEY : 91827489



* Panneaux, fixations et accessoires : Garantie 5 ans / Paneles, fijaciones y accesorios: 5 años de garantía / Painéis, fixações e acessórios: Garantia de 5 anos / Pannelli, fissaggi e accessori: Garanzia 5 Anni / Πάνελ Στερεώσεις και αξεσουάρ: Εγγύηση 5 ετών / Panouri, fixări și accesorii: Gwarranty 5-letnia / Pannele, mocowania i akcesoria: Garanție 5 ani / Panels, fixings and accessories: 5-year guarantee

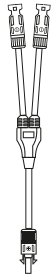
* Micro onduleur : Garantie 15 ans / Micro inverter: 15 años de garantía / Microinversor: Garantia de 15 anos / Micro inverter: Garanzia 15 Anni / Micro inverter: Εγγύηση 15 ετών / Microinverter: Gwarranty 15-letnia / Mikroinwerter: Garanție 15 ani / Micro inverter: 15-year guarantee



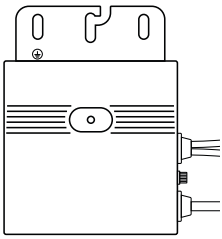
A
x4



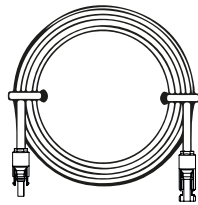
B
x1



C
x1

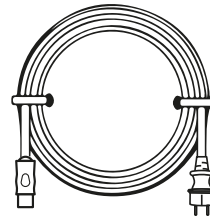


D
x1



2 m

E
x2

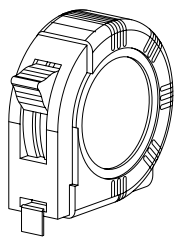


5 m

F
x1

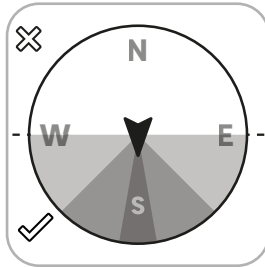


G
x34

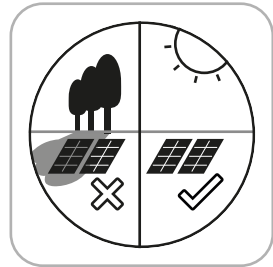




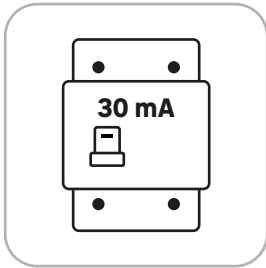
Fragile - Take care



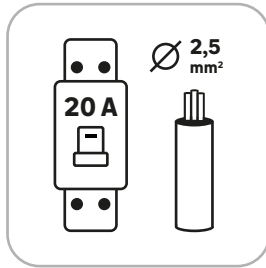
The optimal orientation is SOUTH, SOUTH EAST or SOUTH WEST



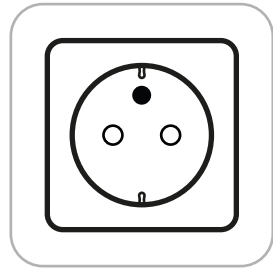
Choose a full sunny space from morning to evening for your kit



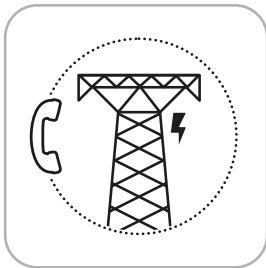
Make sure that your home is protected by a 30mA differential circuit breaker



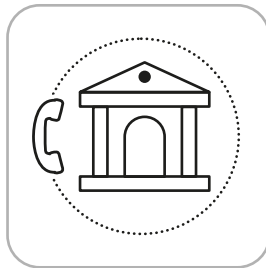
Make sure that your kit will be plugged behind a 20A circuit breaker protection with 2,5mm² cable section



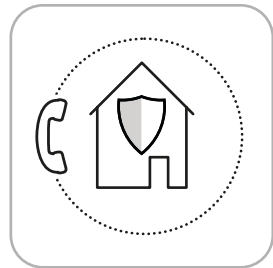
Your kit must be connected to a 230V wall plug (2 poles + ground) connected to a good-quality ground. Make sure the wall plug isn't exposed to water ingress



Declare your kit to your energy provider

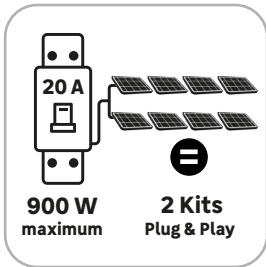


Get the eventual authorization from your city hall to install your kit

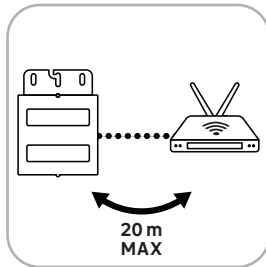


Contact your insurer to include the solar kit in your home insurance

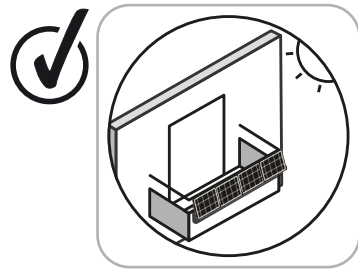
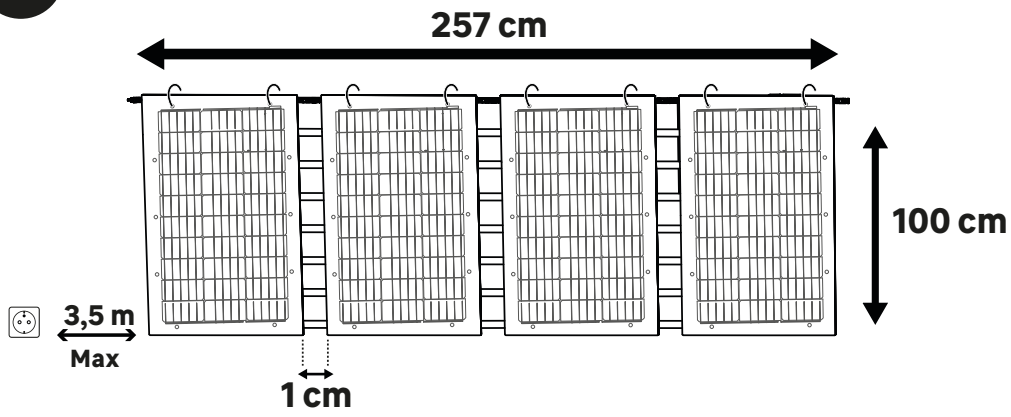
EN



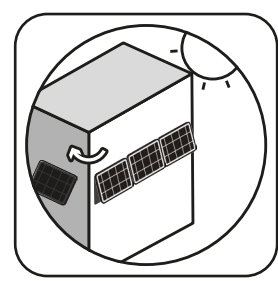
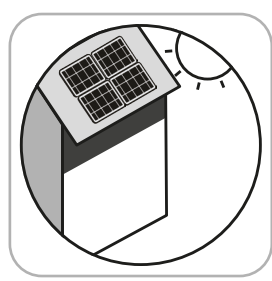
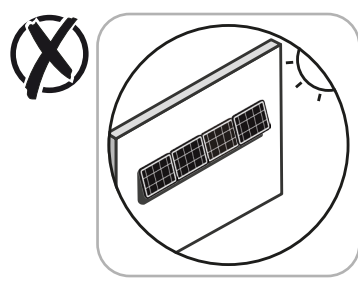
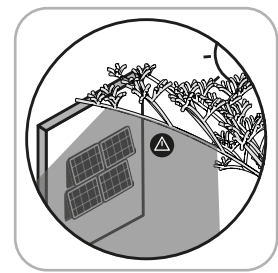
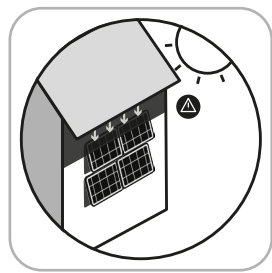
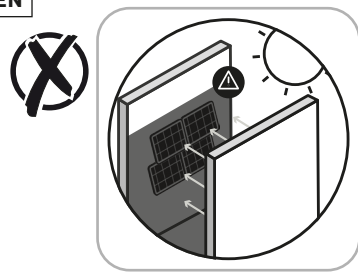
Maximum 2 kits (900 W) per circuit

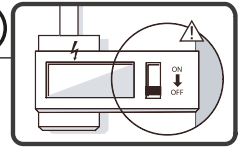


Keep the microinverter within 20 meters (Barrier-free) of your wi-fi router.

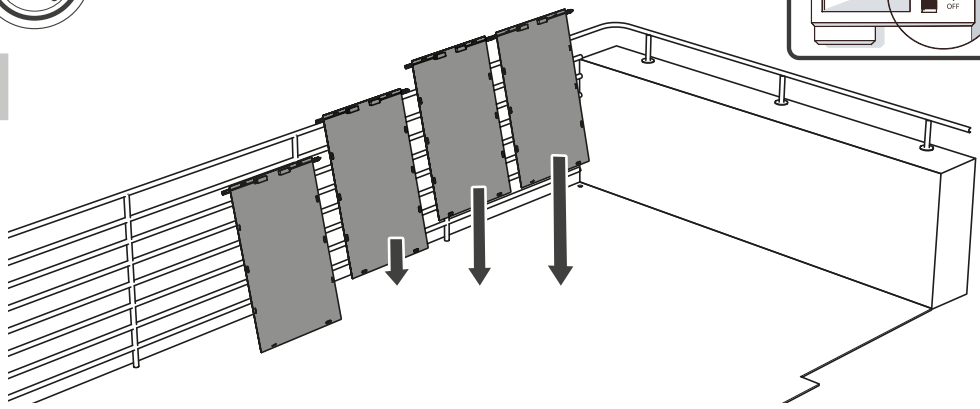


EN

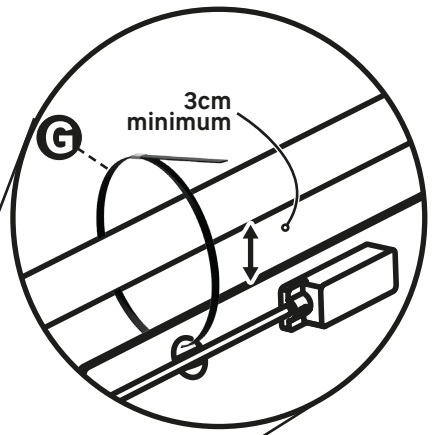
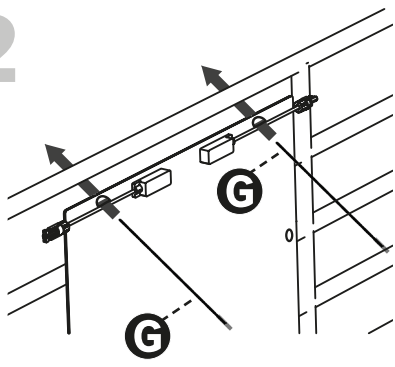




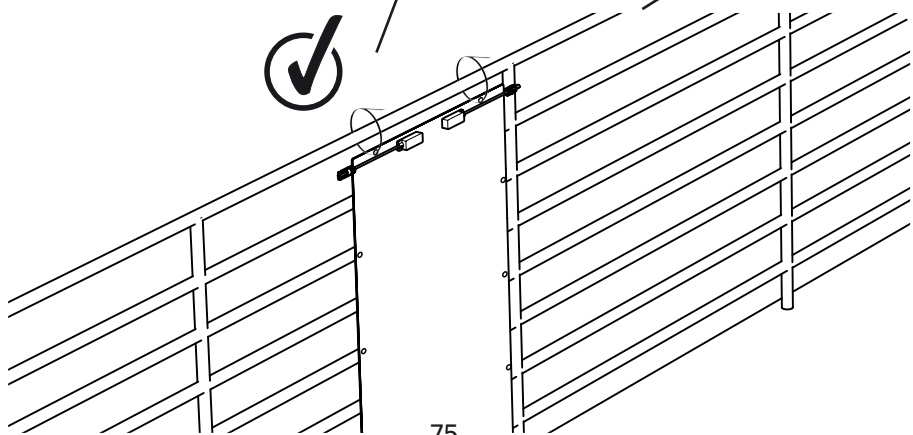
1

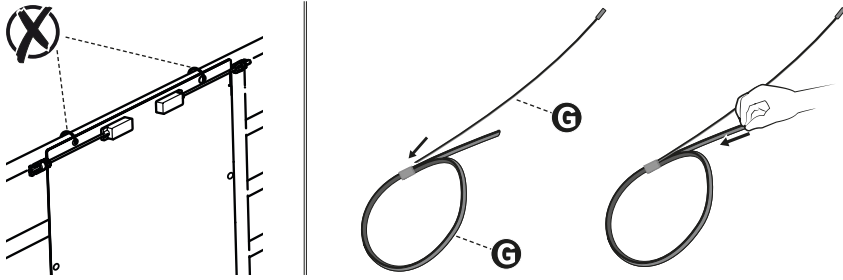


2

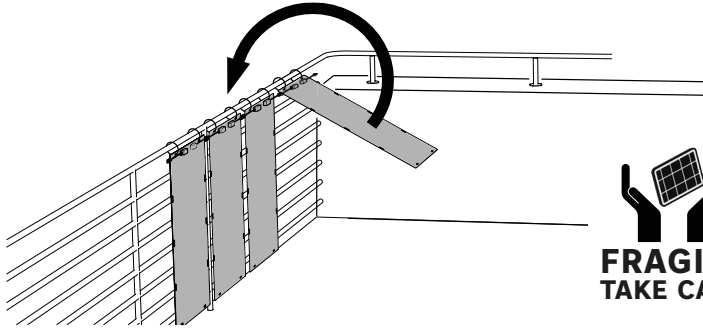


EN



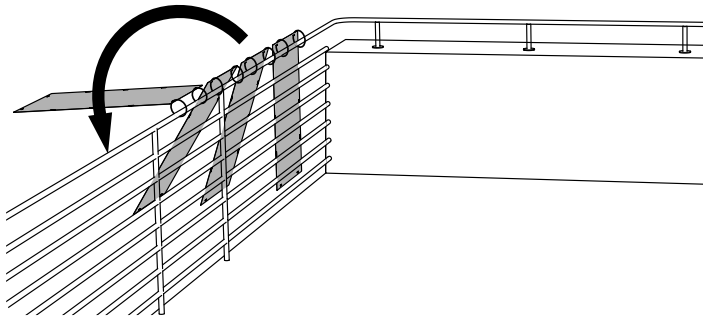


3

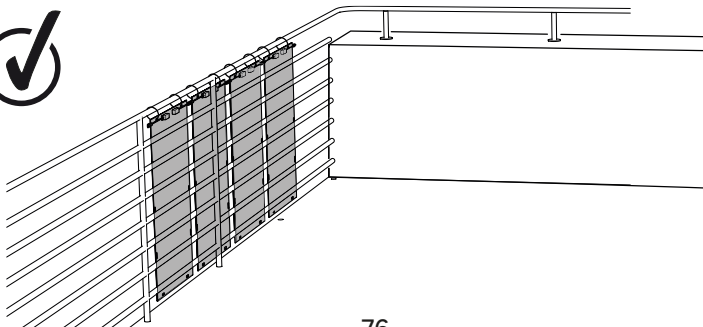


**FRAGILE
TAKE CARE**

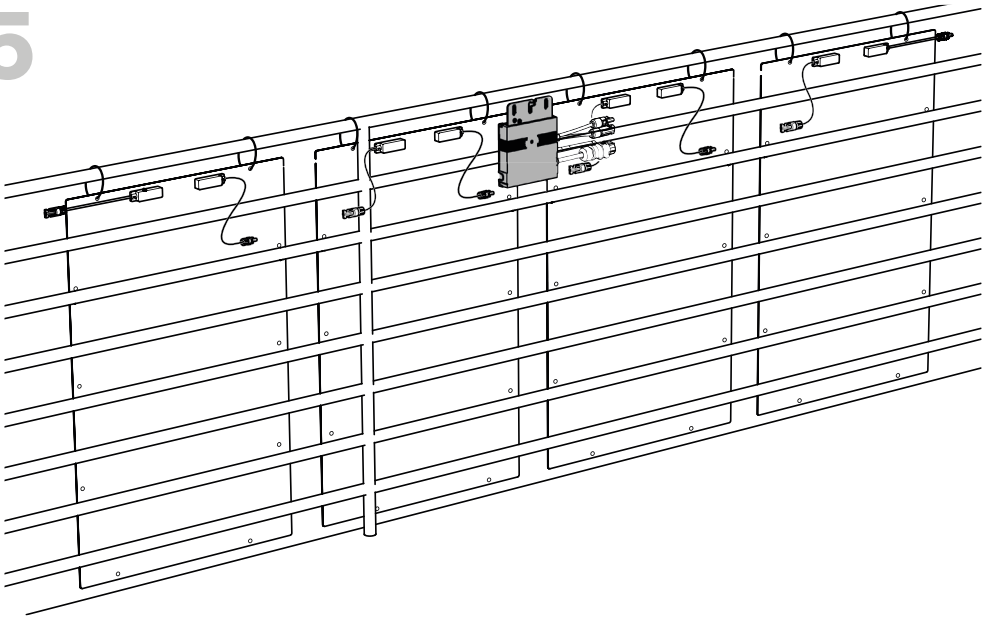
EN



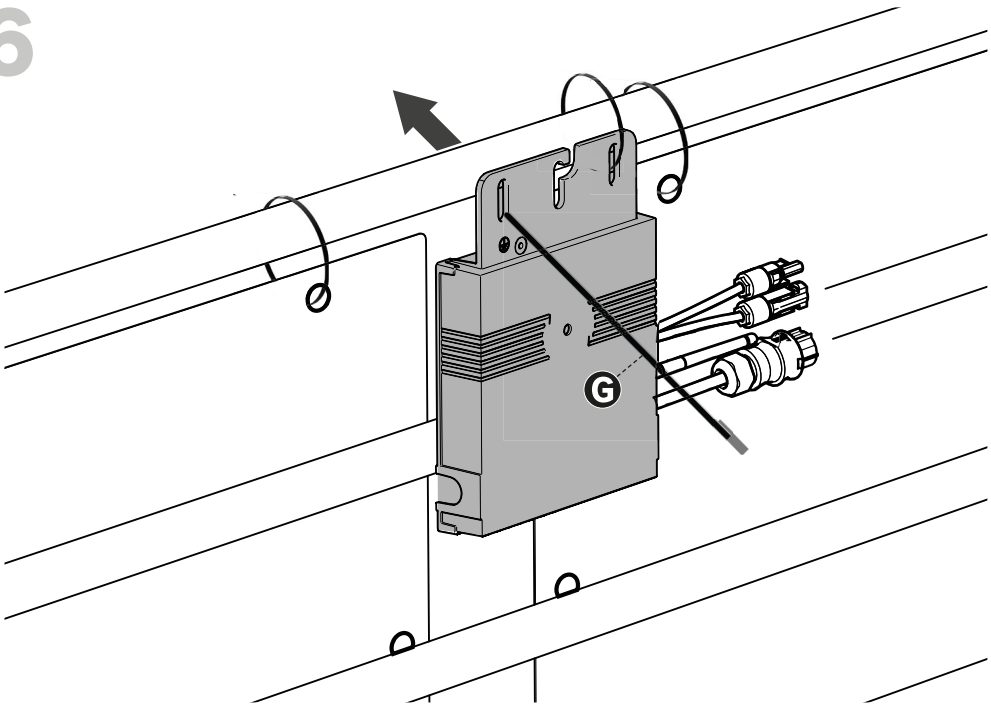
4



5



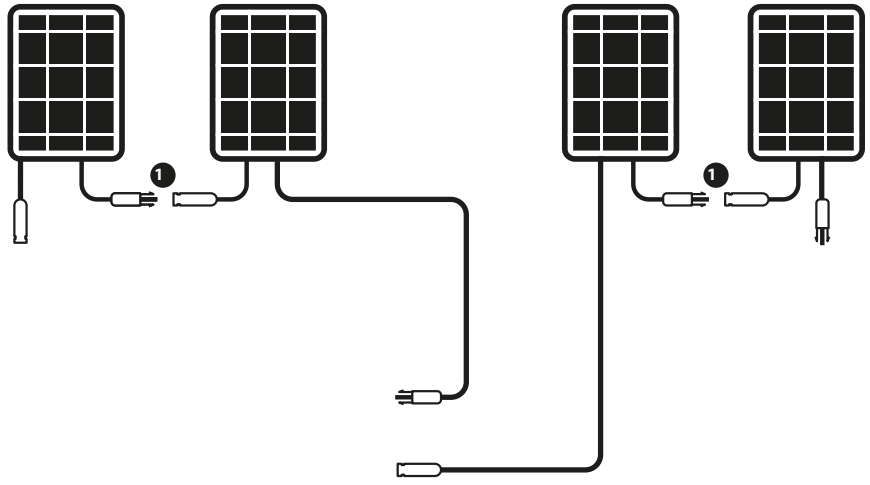
6



EN



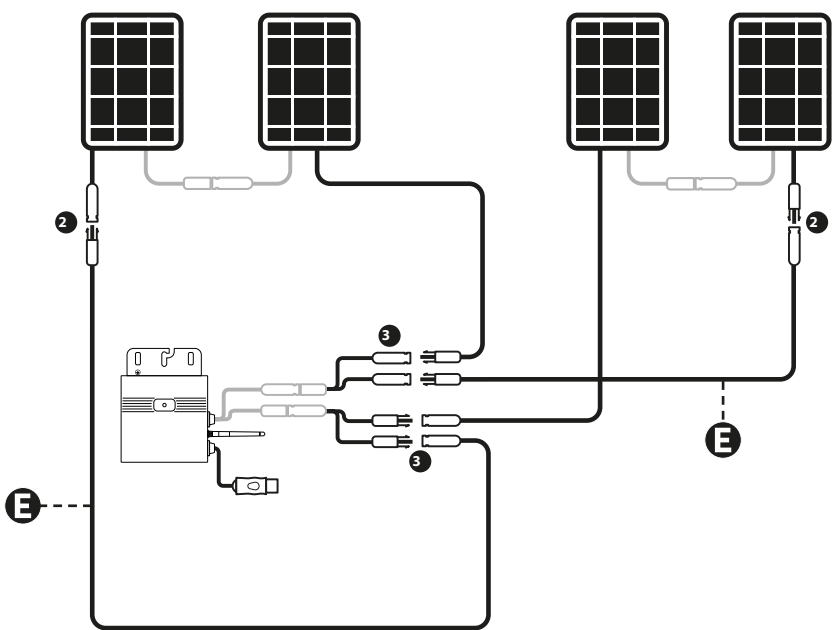
7

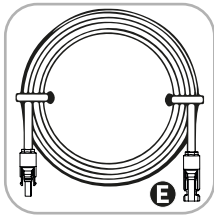


Before plugging into the power outlet, please first connect the MC4 cables to each other as shown on the picture 1.

EN

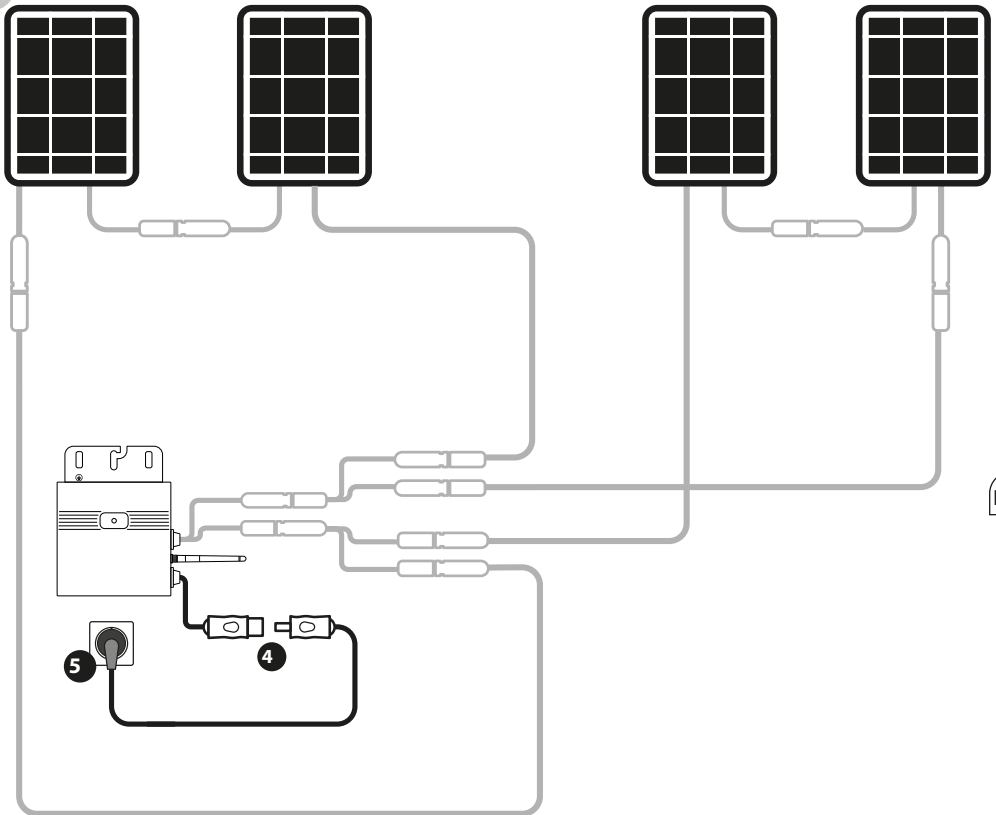
8



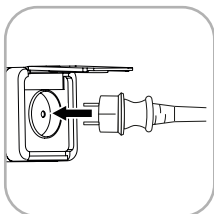


Use the MC4 extension cable **E** to end the loop **2** **3**

9



EN



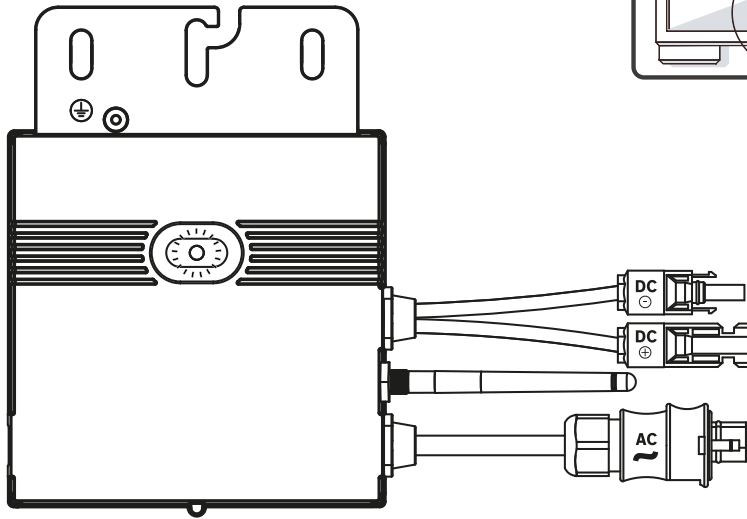
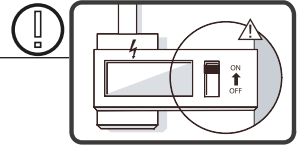
Plug the AC cable to the micro inverter **4** and plug the AC cable into the wall plug **5**, switch on the circuit breaker dedicated to the installation.



* Optional extra grounding. Fix the grounding wire with a screw to the microinverter's grounding hole.



10



STARTUP:

EN

1 - Flashing RED Indicator:

This occurs from few seconds to 15 minutes during the startup process.

2 - Flashing GREEN Indicator:

This happens after the solar panels start producing energy (on a sunny day), for approximately one minute after the sun started.



QUICK DIAGNOSIS:

Flashing GREEN Indicator:

Normal operation of the product.

Flashing RED Indicator:

1 - Flashing every 2 or 3 seconds indicates that the microinverter is not receiving sunlight.

2 - If the red indicator light flashes continuously, it indicates a malfunction of the microinverter (the microinverter is unable to detect the grid which is outside the voltage/frequency range).

Attention: If the red indicator light remains permanently ON during the startup of the device, it indicates a startup failure. Please verify that the previous steps have been correctly followed and retry the operation.

START-UP USING THE ENKI APPLICATION

This product does not require an ENKI box to operate, but the ENKI application.



Make sure your internet router's Wi-Fi is 2.4 GHz.

Some Internet service providers use dual-band routers, operating at 5 GHz or 2.4 GHz. Please contact your provider to request a change of band.

Step 1

Open the ENKI application and log in.

Step 2

At the top of the screen, click on «+» then add an object.

Step 3

Follow the instructions on the application screens.

Step 4

The ENKI app will automatically recognise your object.

Your receiver is now visible in «My objects».

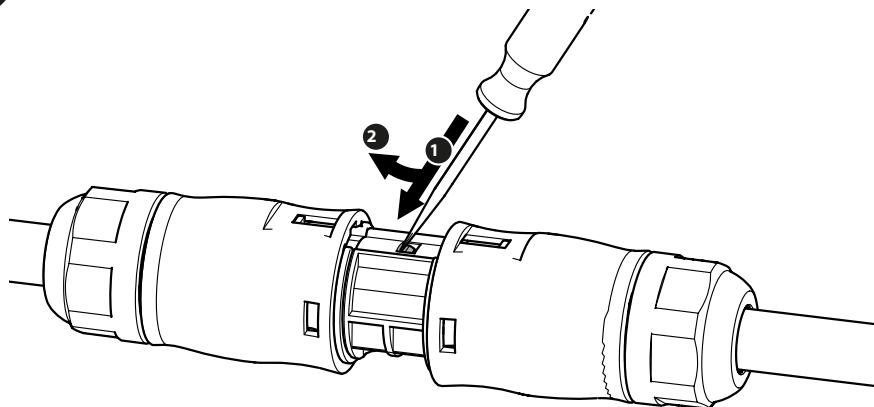
EN



To re-pair, disconnect and connect the AC connection **4** with the micro-inverter 3 times in 2 mins to reset the micro-inverter. (Please review the wiring diagram.)

TROUBLESHOOTING

ISSUES	POSSIBLE CAUSE	SOLUTION
Kit is not producing power (Red led indicator issue)	Bad solar panel wiring	Your panels must be meshed so that they give the level of energy required by the micro inverter to work. Check that the wiring is done as described in the wiring section of this user manual.
	No AC energy	In order to work, the solar kit needs an AC connection. Check that your wall plug has grid electricity, and that the kit is plugged to it.
	Micro inverter offline	Micro inverter's led indicates power production. Check micro inverter led color & status, and go to micro inverter diagnosis.
	No sun, cloudy or rainy weather	The kit is only producing power when there is sunny weather. Wait a shiny day and check power production.
Poor performance	No sun, cloudy or rainy weather	The kit produces power when there is sunny weather. Wait a shiny day and check power production.
	Dirt on solar panels	Dirt can reduce solar transmission to the cells, clean you solar panels as described in the service section of this user manual.
	Solar panels overlap	Add space between solar panels so that there are not causing shadow to each other.
Micro inverter led meaning	Blinking red	Micro inverter has not enough sun to start. Either it's because it's too early or it's too late in the day for the kit to produce power, or the kit is not getting sun rays. Refer to installation section
	Permanent red	Micro inverter met an issue. Try to make the pairing again. If issue persist, contact your local dealer
	Blinking green	Micro inverter is producing power, enjoy your kit !
Intermittent monitoring disconnection	Antenna unscrewed	The antenna is required whatever the distance with your wifi access point. Check that the wifi antenna is well screwed on the micro inverter.
	Too much distance or obstacles between micro inverter and wifi access point	Obstacles decrease achievable distance between devices. Remove obstacles (especially metallic or concrete) or reduce distance between devices to stabilize connection. Install a wifi repeater if none of the options listed above improved the situation.
No power indication in app	Newly connected	Before first power production is displayed, let at least 30min to the micro inverter to upload datas.
	No Internet access	Micro inverter requires internet access so that the monitoring app can display power production Check that your wifi access point has access to the internet.
	Firewall	Check that firewall policy rules are not blocking the data stream
Micro inverter pairing fail	Micro inverter bluetooth disabled	For security reason micro inverter bluetooth is enabled no more than 15 mins once DC and AC cables are plugged. To enable it 15 mins more, unplug/plug 3 times your solar kit AC wall plug within a 2 mins time window.
	Smartphone bluetooth disabled	Check that bluetooth is enabled on your smartphone



- FR** Pour débrancher le connecteur AC, appuyer et pousser le bouton de verrouillage comme dans l'illustration.
- ES** Para desconectar el conector de CA, pulse y empuje el botón de bloqueo como se muestra en la ilustración.
- PT** Para desligar o conector CA, prima e empurre o botão de bloqueio, conforme ilustrado na figura.
- IT** Per scollegare il connettore CA, premere il pulsante di blocco come illustrato nella figura.
- EL** Για να αποσυνδέσετε το βύσμα εναλλασσόμενου ρεύματος, πιέστε και σπρώξτε το κουμπί ασφάλισης όπως φαίνεται στην εικόνα.
- PL** Aby odłączyć złącze AC, naciśnij i wciśnij przycisk blokujący, jak pokazano na ilustracji.
- RO** Pentru a deconecta conectorul CA, apăsați și împingeți butonul de blocare, așa cum se arată în ilustrație.
- EN** To disconnect the AC connector, press and push the locking button as shown in illustration.

- FR KIT SOLAIRE PLUG AND PLAY
- ES KIT SOLAR PLUG AND PLAY
- PT KIT SOLAR PLUG AND PLAY
- IT KIT SOLARE PLUG AND PLAY
- EL KIT ΗΛΙΑΚΟY PLUG AND PLAY
- PL ZESTAW SOLARNY TYPU „PLUG AND PLAY”.
- RO KIT SOLAR PLUG AND PLAY
- EN KIT SOLAR PLUG AND PLAY

Made in China

Traduction de la version originale du mode d'emploi / Traducción de las Instrucciones originales / Tradução das Instruções Originais / Traduzione delle istruzioni originali / Μετάφραση των πρωτότυπων οδηγιών / Tłumaczenie instrukcji oryginalnej / Traducerea instrucțiunilor originale / Original Instructions

www.product-regulatory.adeoservices.com

ADEO Services 135 Rue Sadi Carnot - CS 00001 - 59790 RONCHIN - France

