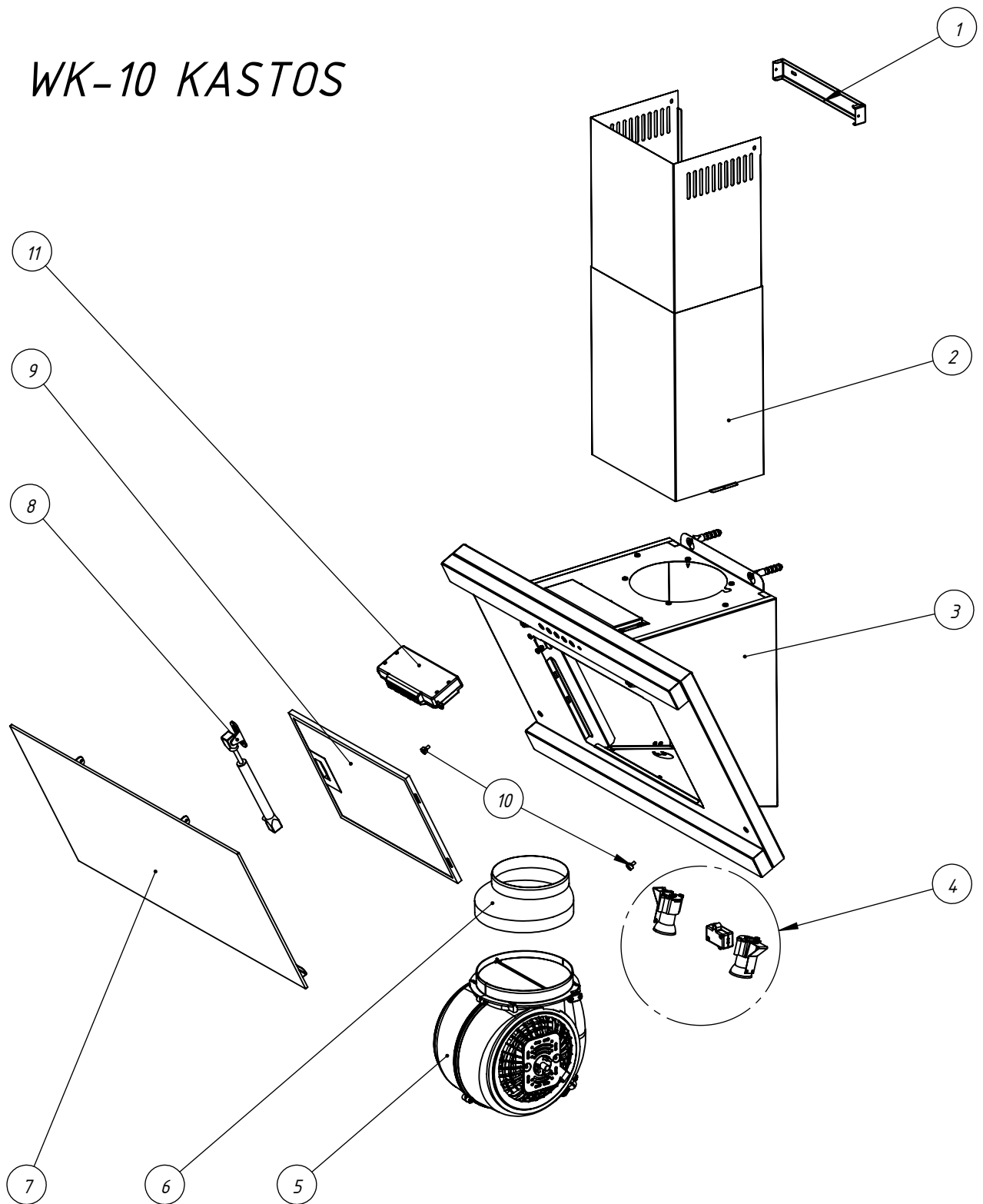


# WK-10 KASTOS



WK-10 KASTOS			
<i>np</i>	<i>name</i>	<i>qty</i>	<i>index number</i>
1	CHMNEY MOUNTING ELEMENT	1	CHMNEY MOUNTING ELEMENT
2	CHIMNEY	1	3352
3	COOKER HOOD BODY	1	913
4	LIGHT CORD	1	4727
5	MOTOGROUP 450	1	3608
6	PLASTIC REDUCTION $\Phi 150 \times \Phi 120$	1	3275
7	GLASS	1	2227
8	GAS SPRING	1	1479
9	ALUMINIUM FILTER	1	359
10	MAGNETIC CLIP	2	1885+600
11	CONTROL PANEL WK-10 MW315Te	1	2901