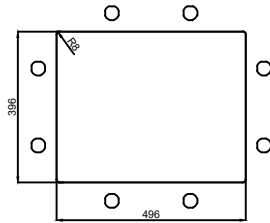


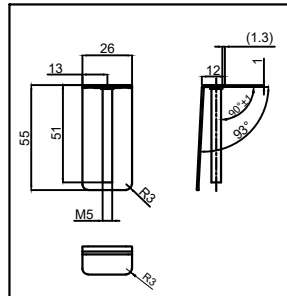
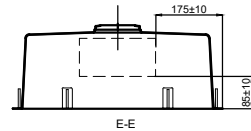
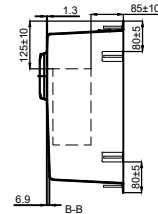
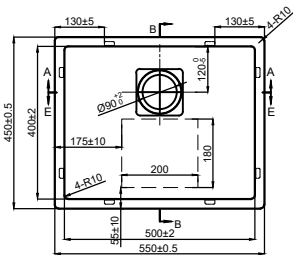
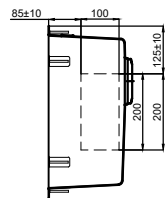
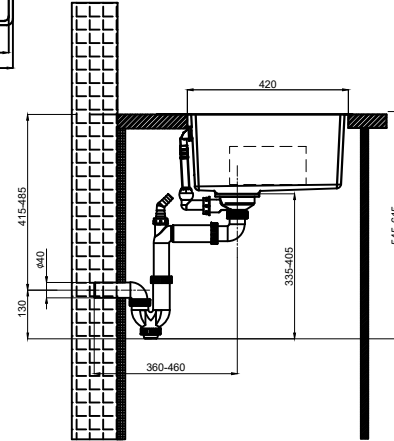
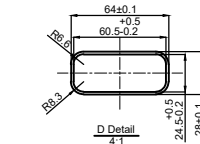
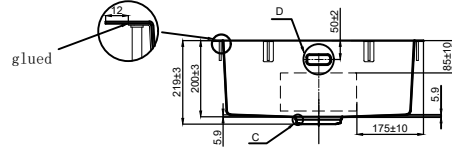
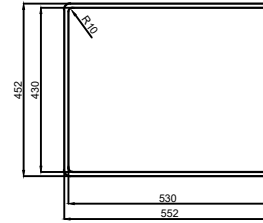
Undermount installation



Topmount installation



Flushmount installation



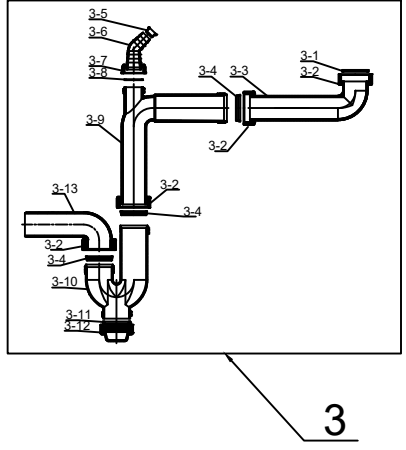
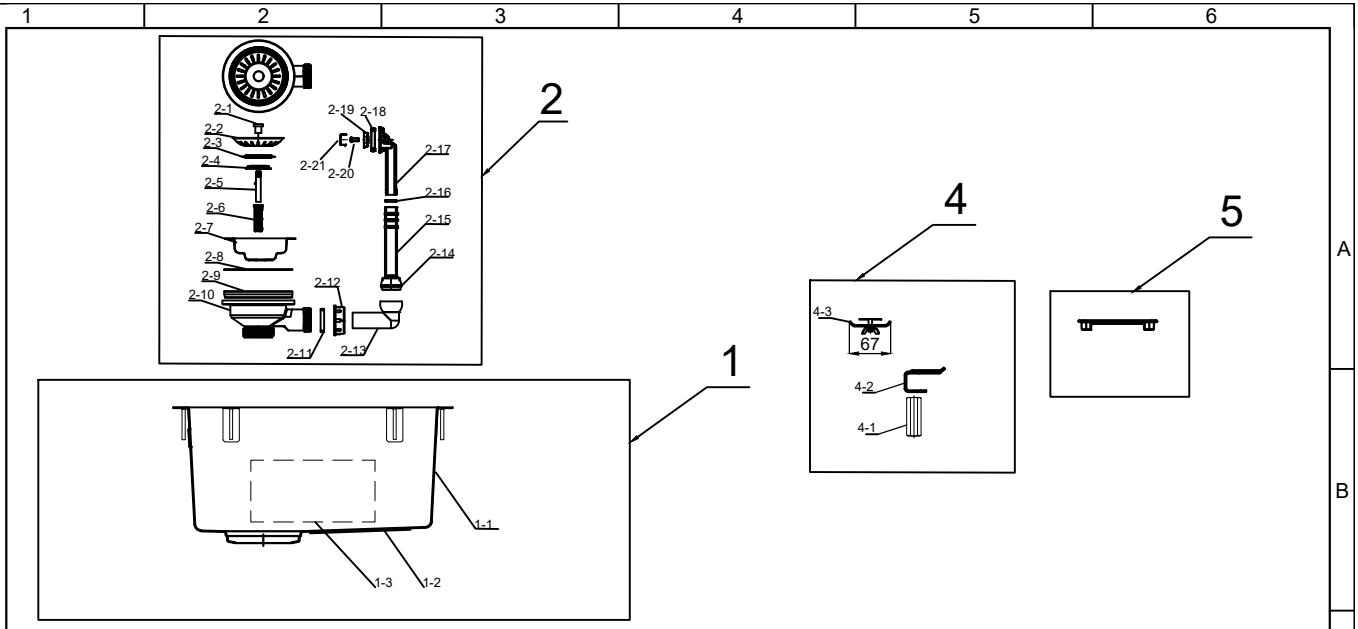
- 1.Pads must be installed aligned and centered on each face.
- 2.All dimensions in mm.
- 3.Pipes dimensions and tolerances as per NF-EN274-1-12-2002 and discharge pipes OD as per EN476:1997.
- 4.The flatness after assembly does not allow more than 0.7mm gap between the sink and the worktop in any points.
5. The final drawing is measure according to the initial sample after finished the tooling.

Matrix code	Ref	Designation	Material grade	Quantity	Weight(kg)	Dimension(mm)	Supplier Reference	Finishings Colour
2025R17P08-0072	1	Sink	SUS304	1	5.73	550*450*219	4076F-DG	Gun Metal

Following general tolerances are applicable to all dimensions without any tolerances indicated specifically on the drawing.

GB/T 1804 -C							
>0.5-3	>3-6	>6-30	>30-120	>120-400	>400-1000	>1000-2000	>2000-4000
±0.05	±0.3	±0.5	±0.8	±1.2	±2	±3	±4

Product/Serie designation (as per Synnertrade/Specs)				Material grade steel SUS304			
GENERAL DRAWING				Thickness of sheet 1.0mm			
2025R17P08-0072							
EAN (update when referencing is done)	3276007869866						
Format A3							
Scale 1:13							
Zuhai Dali Kitchen & Bathroom Technology CO.,Ltd.	V14	25/09/2024	Drawing creation	ShuyunSong		YYY	
Supplier Reference	4076F-DG	Date	Update description	Done by		Checked by	



Ref	Designation	Material grade	Quantity	Weight (g)	Dimension(mm)	Finishings Colour
1	Sink	SUS304	1	4630	450*450*210	Gun Metal
1-1	Sink	SUS304	1	4128	450*450*210	Gun Metal
1-2	noise reduction pad	Rubber	1	154	200*180*2	Black
1-3	noise reduction pad	Rubber	4	348	200*100*2	Black
2	Basket waste	SUS304+PP	1	297.6	φ116*300	Gun Metal
2-1	Handle	SUS304	1	5.7	φ15*14.5	Gun Metal
2-2	Filter	SUS304	1	18.6	φ82.5*13	Stain
2-3	silicone	Silicone	1	3.1	φ54*φ35*5	Black
2-4	washer	SUS304	1	6.7	φ41*5	Raw
2-5	Pin	SUS304	1	10.5	φ8*32	Raw
2-6	Screw	SUS304	1	8	25*15*M12	Raw
2-7	S/S Bowl	SUS304	1	74.5	φ114*34.4	Gun Metal
2-8	Washer	Rubber	1	8.1	φ109*φ89*H1.7	Black
2-9	Washer	Rubber	1	27.1	φ110*φ86*H12	Black
2-10	Plastic body	PP	1	46.5	φ116*60	White
2-11	Sealing ring	PVC	1	1.3	φ34*8.5	Black
2-12	Screw	ABS	1	7.5	φ46.5*10.5	White
2-13	Connect pipe	PP	1	12.6	φ36*80	White
2-14	Sealing ring	Rubber	1	0.5	φ30*2	White
2-15	Overflow pipe	PP	1	26	133*47.5*32.5	White
2-16	Sealing ring	Rubber	1	0.5	φ30*1	Black
2-17	Overflow connector	PP	1	20	109*77*27	White
2-18	Sealing ring	PVC	1	6.6	74*37*6	Black
2-19	Fixing plate	SUS304	1	8.2	63*26.5*9	Gun Metal
2-20	Screw	SUS304	1	1.8	M5*12	Gun Metal
2-21	Decorative cover	SUS304	1	3.8	53*17*10	Gun Metal
3	Siphon	PP+PVC+TPE	1	275.9	455*380*Ø40	White
3-1	Sealing ring	PVC	1	1.1	φ45*2.5	Black
3-2	Screw	PP	4	36	φ55*17	White
3-3	L shape pipe	PP	1	35.5	φ40*191	White
3-4	Sealing ring	PP+TPE	3	5.7	φ40*6	White+Black
3-5	Stopper	PP	1	0.8	φ17*9	White
3-6	Dishwasher connector	PP	1	7.5	φ30*60	White
3-7	Screw	PP	1	3.4	φ40*14	White
3-8	Sealing ring	Silicon	1	0.5	φ30*2	Black
3-9	L shape pipe	PP	1	79.6	φ40*169*187	White
3-10	U shape pipe	PP	1	57.5	φ40*148*100	White
3-11	Sealing ring	TPE	1	1.1	φ45*2.5	Black
3-12	Cover	PP	1	11.7	φ53*27	White
3-13	L shape pipe	PP	1	35.5	φ40*140	White
4	Mounting Hardware	Mn steel	1	403.2	/	silver
4-1	Hardware 1	Mn steel	8	56	26*25*15.7	silver
4-2	Hardware 2	A3 Iron	8	65.6	M5*25	silver
4-3	Hardware 2	A3 Iron	8	281.6	67*20*23	silver
5	Hider cover	SUS304+ABS	1	97	118*118*12	Brushed+Black

Matrix code	Ref	Designation	Material grade	Quantity	Weight(kg)	Dimension(mm)	Supplier Reference	Finishings Colour
2025R17P08-0072	1	Sink	SUS304	1	5.73	540*440*219	4076F-DG	Gun Metal

Following general tolerances are applicable to all dimensions without any tolerances indicated specifically on the drawing.		GB/T 1804 -C							
		>0.5-3	>3-6	>6-30	>30-120	>120-400	>400-1000	>1000-2000	>2000-4000
		±0.05	±0.3	±0.5	±0.8	±1.2	±2	±3	±4
Product/Serie designation (as per Synnertrade/Specs)		Material grade steel SUS304							
GENERAL DRAWING		Thickness of sheet 1.0mm							
2025R17P08-0072	3276007869866								
EAN (update when referencing is done)									
Format A3									
Scale 1:8									
Zhuohai Dali Kitchen & Bathroom Technology CO., Ltd.	V9	25/09/2024	Drawing creation				ShuyunSong	YYY	
Supplier Reference	4076F-DG	Date	Update description				Done by	Checked by	

