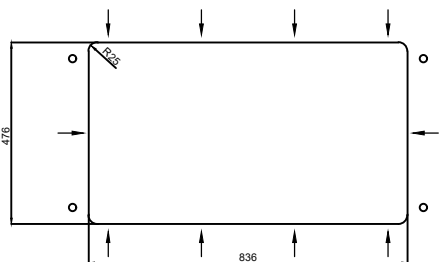


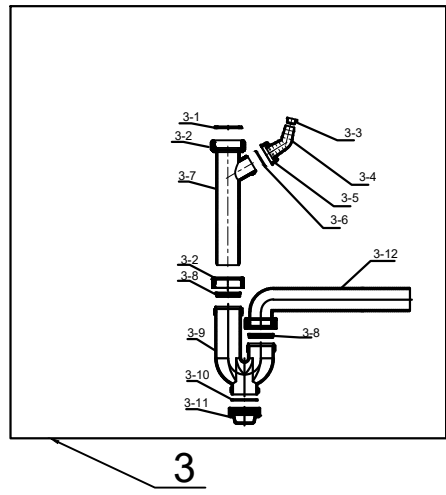
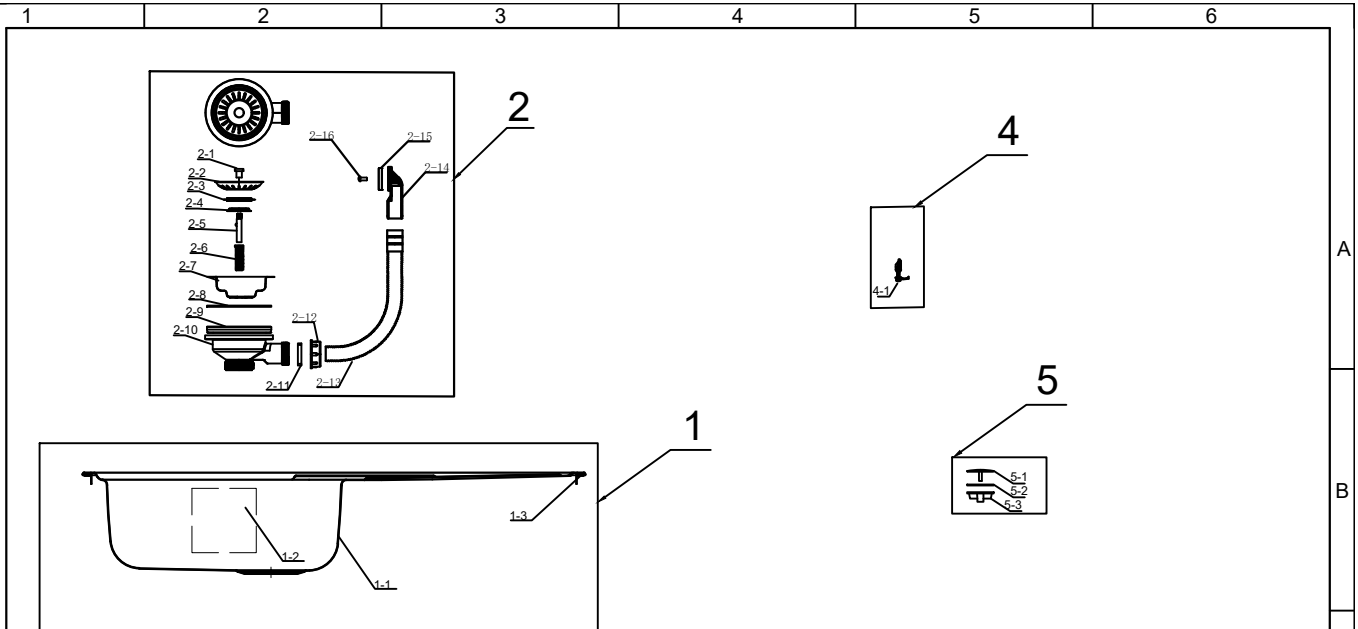
- 1.Pads must be installed aligned and centered on each face.
- 2.All dimensions in mm.
- 3.Pipes dimensions and tolerances as per NF-EN274-1-12-2002 and discharge pipes OD as per EN476:1997.
- 4.The flatness after assembly does not allow more than 1.0mm gap between the sink and the worktop in any points.
- 5.The seal is always bigger by 1mm minimum to ensure the contact with the worktop after installation.



Matrix code	Ref	Designation	Material grade	Quantity	Weight(kg)	Dimension(mm)	Supplier Reference	Finishings Colour
2025R17P08-0028	1	Sink	SUS304	1	3.94	860*500*175	1255S	Honeycomb

GB/T 1804 -C							
Following general tolerances are applicable to all dimensions without any tolerances indicated specifically on the drawing.							
>0.5-3	>3-6	>6-30	>30-120	>120-400	>400-1000	>1000-2000	>2000-4000
±0.05	±0.3	±0.5	±0.8	±1.2	±2	±3	±4

Product/Serie designation (as per Synnertrade/Specs)				Material grade steel SUS304			
GENERAL DRAWING				Thickness of sheet 0.65mm			
2025R17P08-0028							
EAN (update when referencing is done)		3276007869880					
Format A3							
Scale 1:13							
Zhuhai Dali Kitchen & Bathroom Technology CO.,Ltd.		V10	30/10/2024	Drawing creation		ShuyunSong	YYY
Supplier Reference		1255S	Date	Update description		Done by	Checked by



Ref	Designation	Material grade	Quantity	Weight (g)	Dimension(mm)	Finishings Colour
1	Sink	SUS304	1	3310	860*500*170	Honeycomb
1-1	Sink	SUS304	1	3010	860*500*170	Honeycomb
1-2	noise reduction pad	Rubber	5	280	110*110*2	Black
1-3	Embedded seal	Polyurethane foam	1	20	2720	Black
2	Basket waste	SUS304+PP	1	268.4	φ116*300	Polished
2-1	Handle	SUS304	1	5.7	φ15*14.5	Polished
2-2	Filter	SUS304	1	18.6	φ82.5*13	Stain
2-3	silicone	Silicone	1	3.1	φ54*φ35*5	Black
2-4	washer	SUS304	1	6.7	φ41*5	Raw
2-5	Pin	SUS304	1	10.5	φ8*32	Raw
2-6	Screw	SUS304	1	8	25*15*M12	Raw
2-7	S/S body	SUS304	1	74.5	φ114*34.4	Polished
2-8	Sealing ring	Rubber	1	8.1	φ109*φ89*H1.7	Black
2-9	Sealing ring	Rubber	1	27.1	φ110*φ86*H12	Black
2-10	Plastic body	PP	1	46.5	φ116*60	White
2-11	Sealing ring	Silicon	1	1.3	φ34*8.5	Blue
2-12	Screw	ABS	1	7.5	φ46.5*10.5	White
2-13	Pipe	PE	1	22.4	φ29.5*300	White
2-14	Overflow connector	ABS	1	18.3	88*64*25	White
2-15	Sealing ring	PVC	1	7.2	60*36*8	Black
2-16	Screw	SUS304	1	2.9	M5*16	Raw
3	Siphon	PP+PVC+Silicon+TPE	1	246.8	φ40*480*389	White+Black
3-1	Sealing ring	PVC	1	1.1	φ45*2.5	Black
3-2	Screw	PP	3	27	φ55*17	White
3-3	Stopper	PP	1	0.8	φ17*9	White
3-4	Dishwasher connector	PP	1	7.5	φ30*60	White
3-5	Screw	PP	1	3.4	φ40*14	White
3-6	Sealing ring	Silicon	1	0.5	φ30*2	Black
3-7	Dishwasher connector	PP	1	51	φ40*150	White
3-8	Sealing ring	PP+TPE	2	3.8	φ45*6	Black
3-9	straight pipe	PP	1	57.5	φ40*148*100	White
3-10	Sealing ring	TPE	1	1.1	φ45*2.5	Black
3-11	Cover	PP	1	11.7	φ53*27	White
3-12	L shape pipe	PP	1	81.4	φ40*275	White
4	Mounting Hardware	Mn steel+fiber PA66+AS iron	1	103	45*24*18	Black+silver
4-1	Hardware 1 28-38mm	Mn steel+fiber PA66+AS iron	10	103	45*24*18	Black+silver
5	Tap hole stoppers	SUS304+PP+EVA	1	17	φ45*20	Polished
5-1	Tap hole stopper	SUS304	1	12.4	φ44*18	Polished
5-2	Sealing ring	EVA	1	0.01	φ42*1.5	White
5-3	Fixing	PP	1	4.4	φ45*11.6	White

Matrix code	Ref	Designation	Material grade	Quantity	Weight(kg)	Dimension(mm)	Supplier Reference	Finishings Colour
2025R17P08-0028	1	Sink	SUS304	1	3.94	860*500*170	1255S	Honeycomb

GB/T 1804 - C							
>0.5-3	>3-6	>6-30	>30-120	>120-400	>400-1000	>1000-2000	>2000-4000
±0.05	±0.3	±0.5	±0.8	±1.2	±2	±3	±4

Product/Serie designation (as per Synnertrade/Specs)				Material grade steel SUS304			
GENERAL DRAWING							Thickness of sheet 0.6mm
2025R17P08-0028							
EAN (update when referencing is done)	3276007869880						
Format A3							
Scale 1:8							
Zhuohai Dali Kitchen & Bathroom Technology CO., Ltd.	V8	30/10/2024	Drawing creation			ShuyunSong	YYY
Supplier Reference	1255S	Date	Update description			Done by	Checked by

