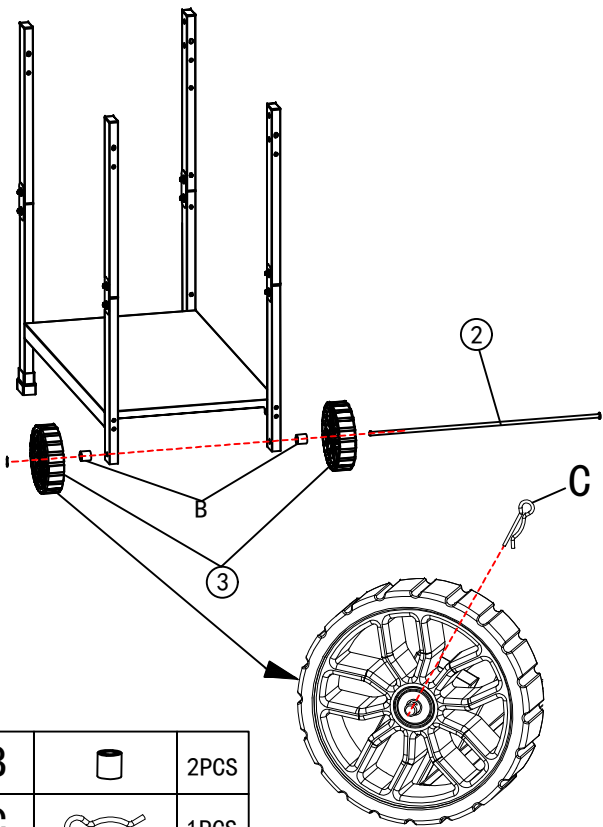




① *1	② *1	③ *2
④ *2	⑤ *1	⑥ *1
⑦ *1	⑧ *1	⑨ *1
⑩ *1	⑪ *1	⑫ *1
⑬ *2	⑭ *4	⑮ *4
⑯ *1	⑰ *1	⑱ *1
⑲ *1	⑳ *4	㉑ *1
㉒ *1	㉓ *1	㉔ *1
㉕ *4	㉖ *3	㉗ *1
㉘ *1	㉙ *1	㉚ *1
㉛ *1	㉜ *1	㉝ *1

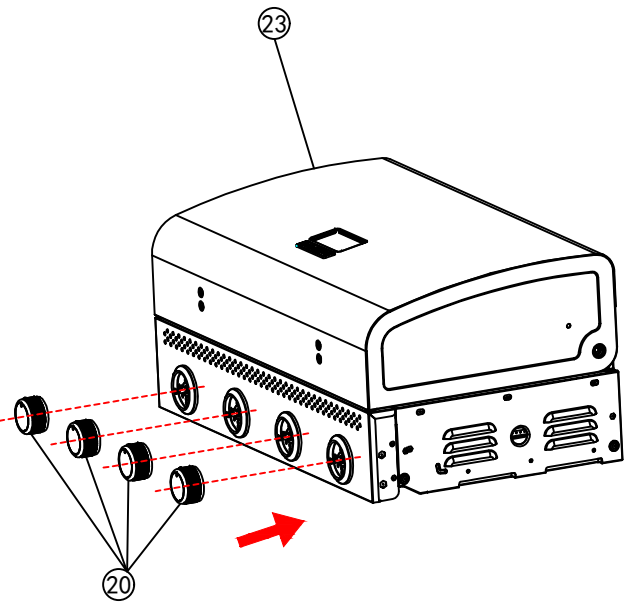
D M6-12*4	E *6	F *8	G M6-30*8	H M5-10*14	I M5-10*4	J M4-8*2

5

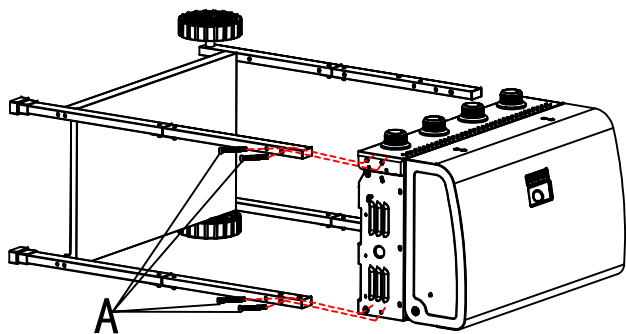



B		2PCS
C		1PCS

6

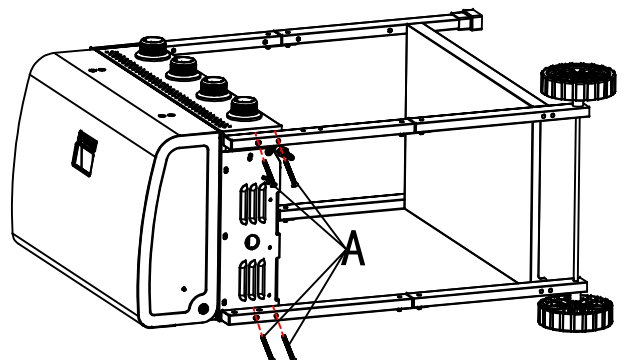



7



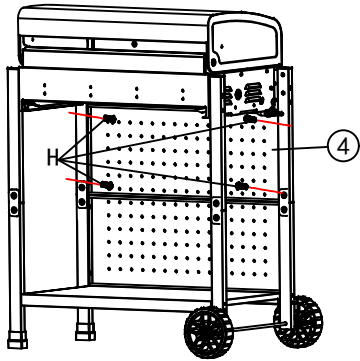
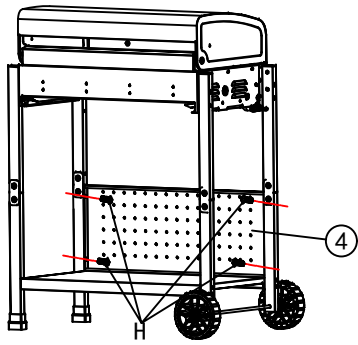
A		4PCS
---	---	------

8



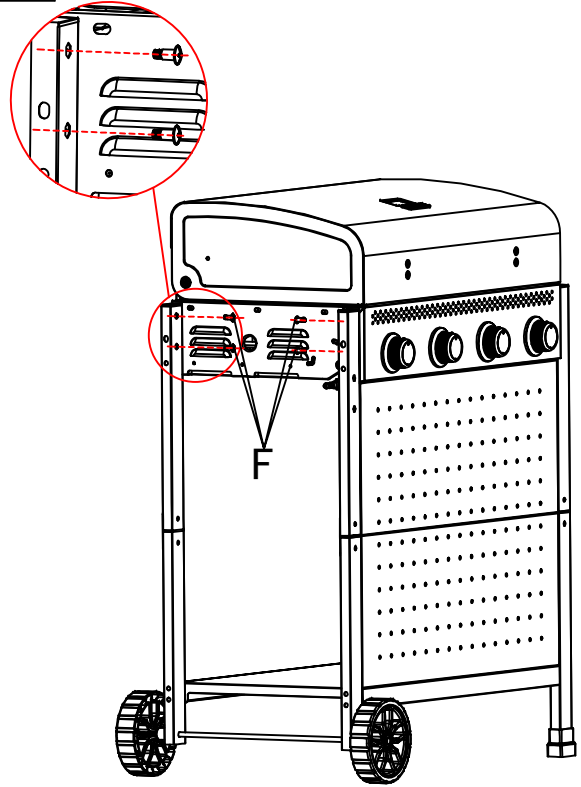
A		4PCS
---	--	------

9



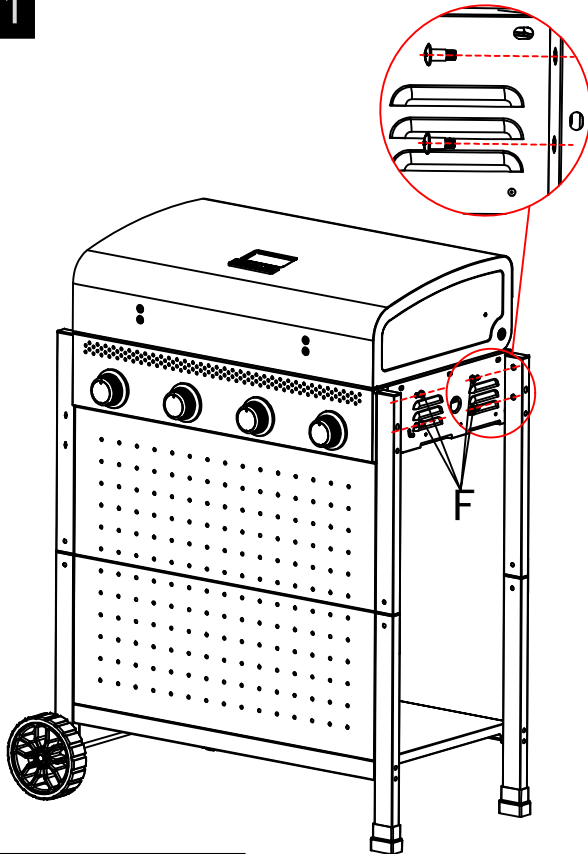
H  8PCS

10



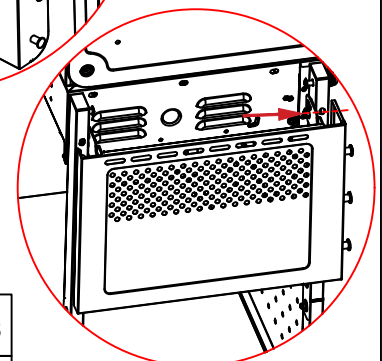
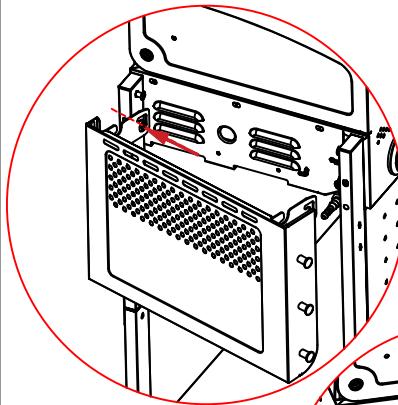
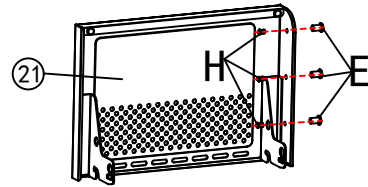
F  4PCS

11



F  4PCS

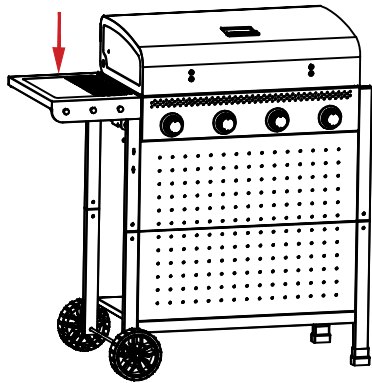
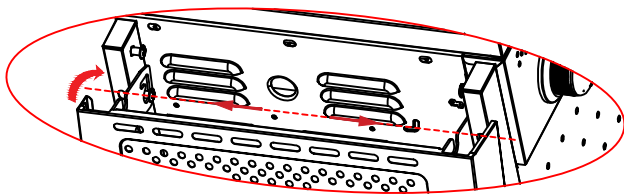
12



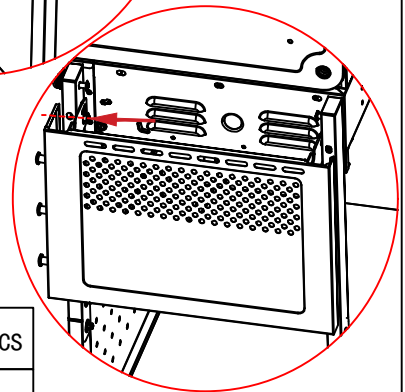
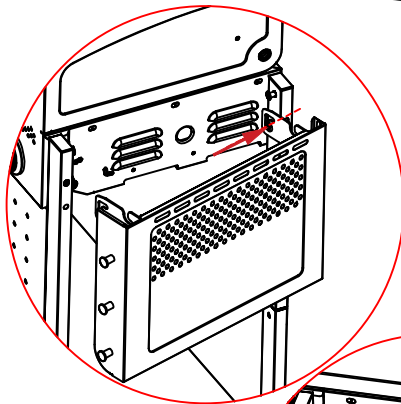
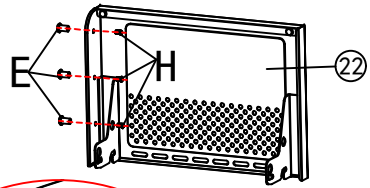
E  3PCS



H  3PCS

13

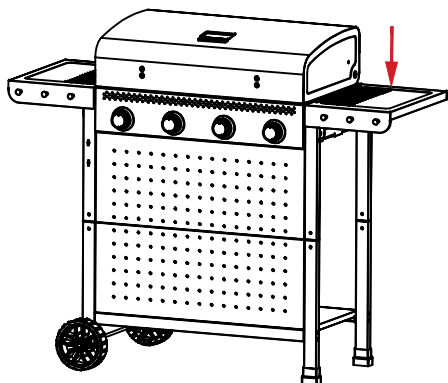
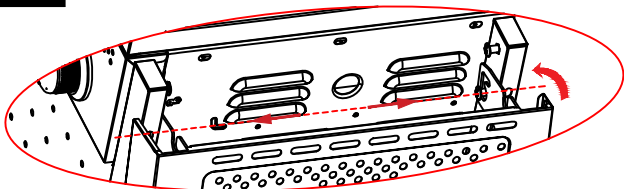


14

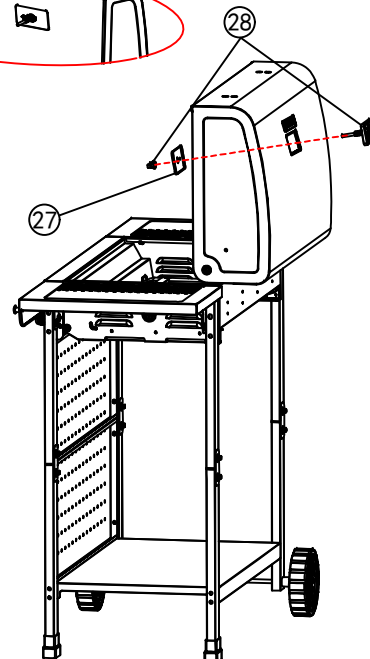


E		3PCS
H		3PCS

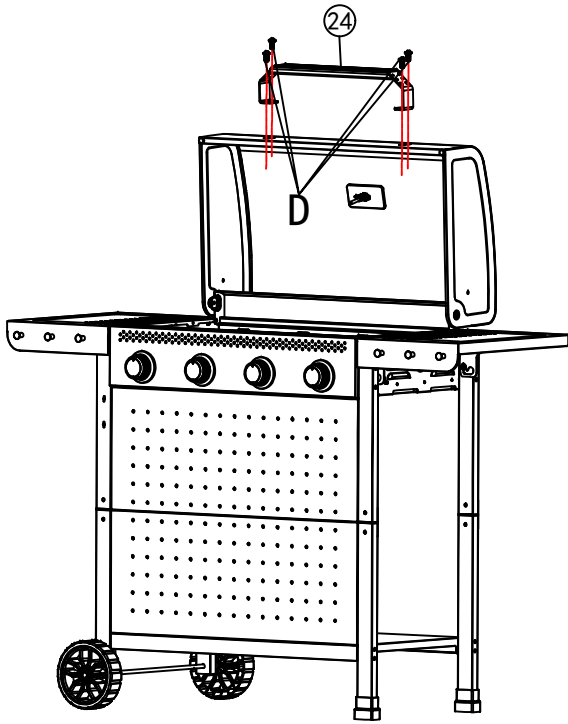
15



16



17

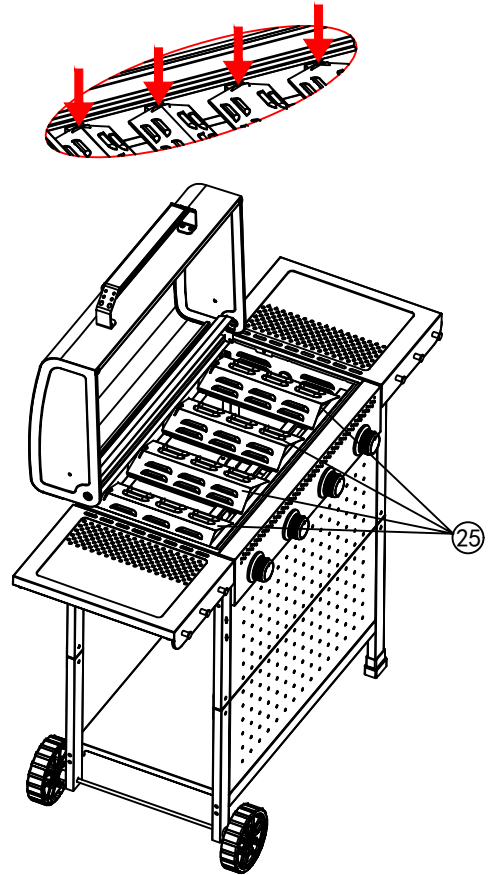


D

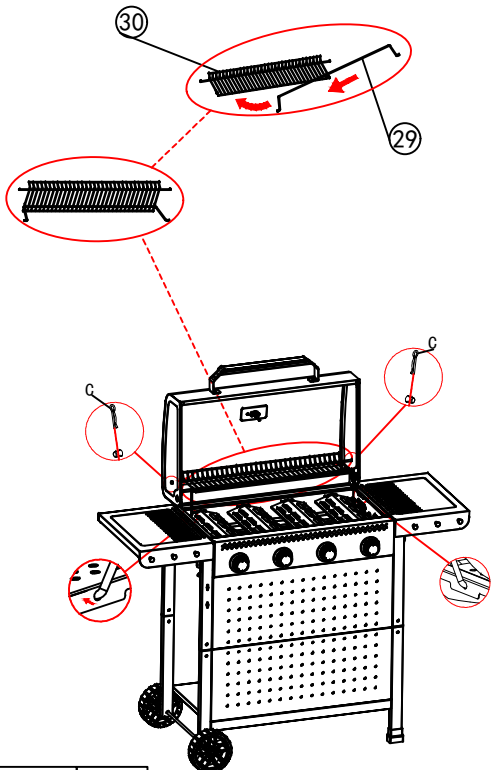


4PCS

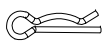
18



19

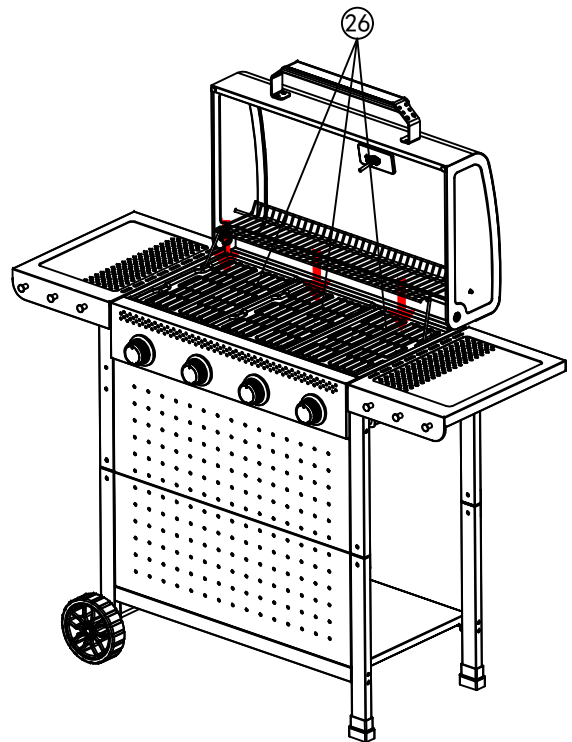


C

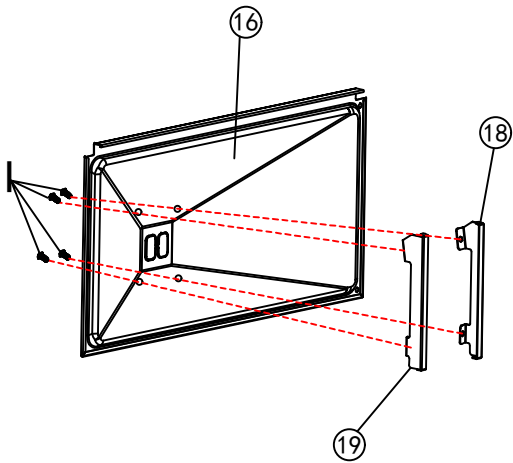



2PCS

20

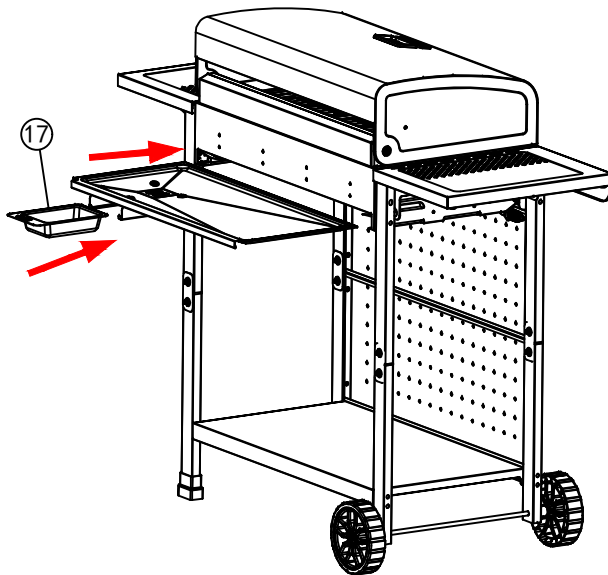


21

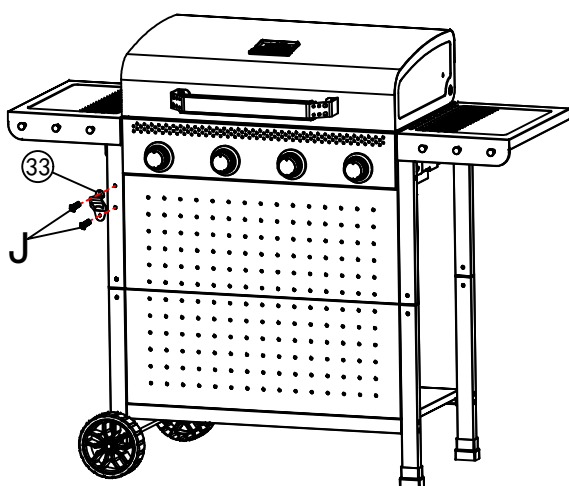



I		4PCS
---	---	------

22



23



J		2PCS
---	---	------

24

