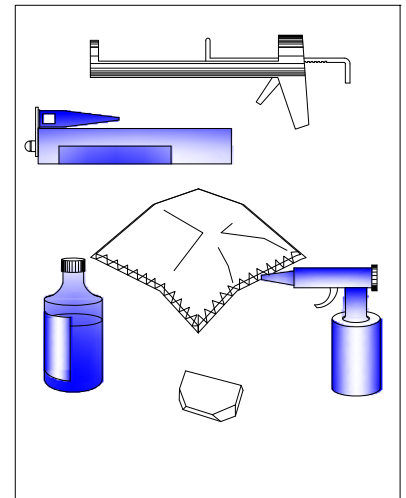
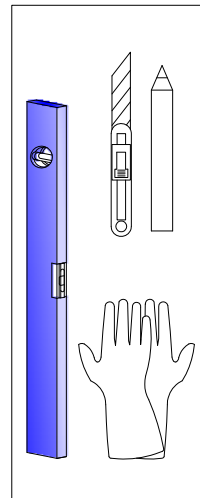
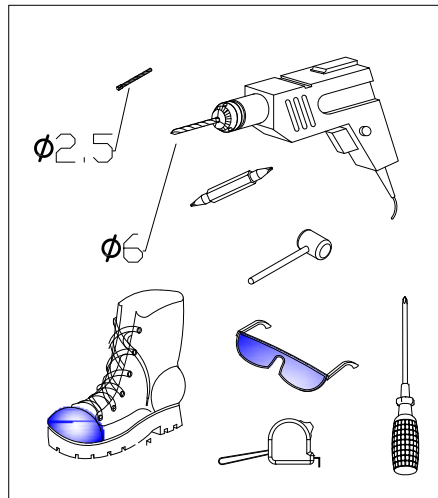
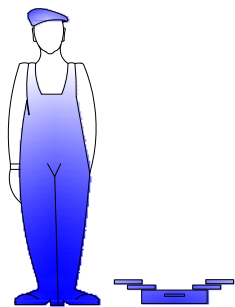
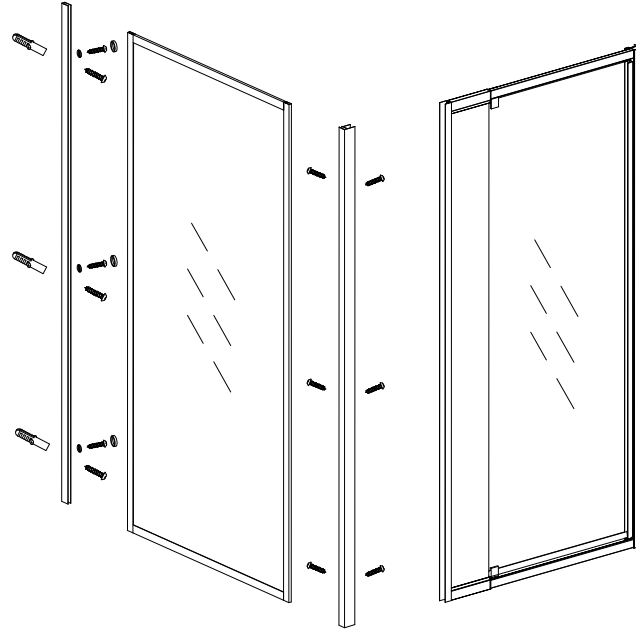
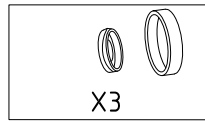
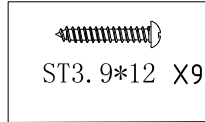
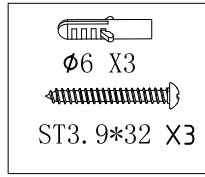
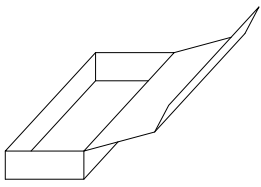


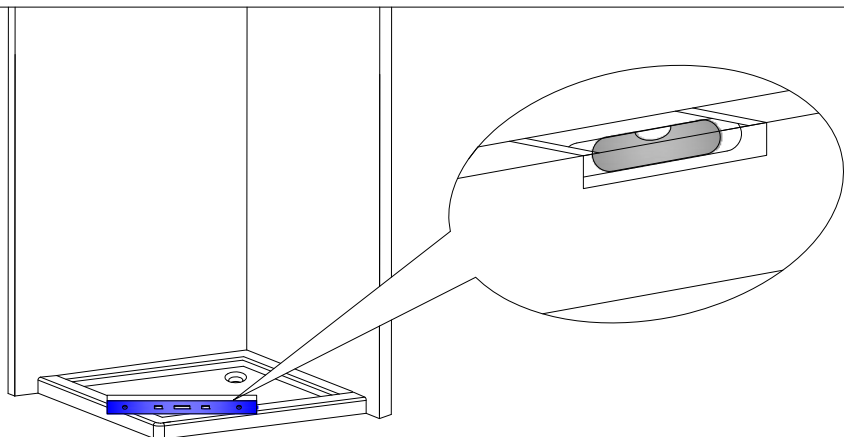
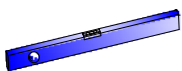
E INSTRUCCIONES DE MONTAJE
F INSTRUCTIONS DE MONTAGE
GB INSTALLATION INSTRUCTIONS

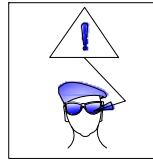
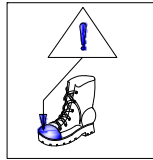
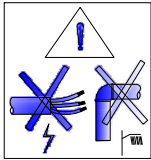
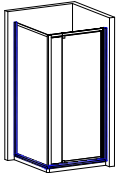
I INTRUZIONI DI MONTAGGIO
P INSTRUCAO DE MONTAGEM

DT51S01



1

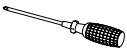




DT51S01

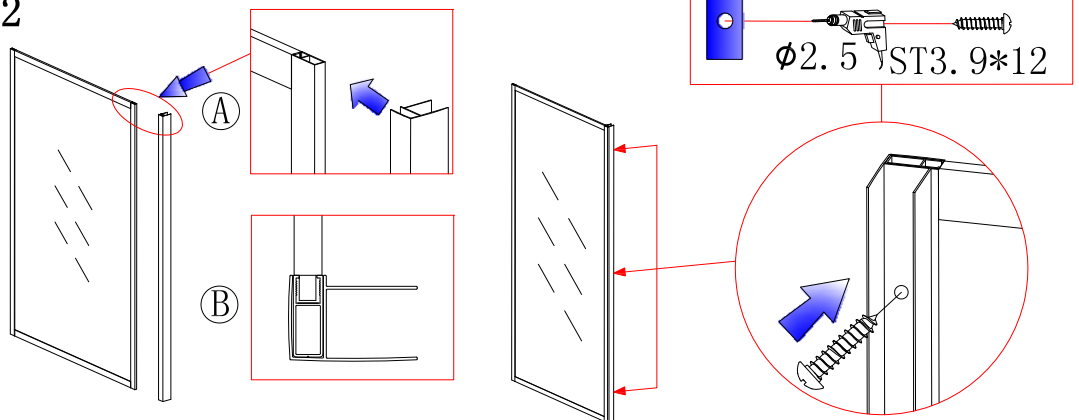


X3
ST3.9*12

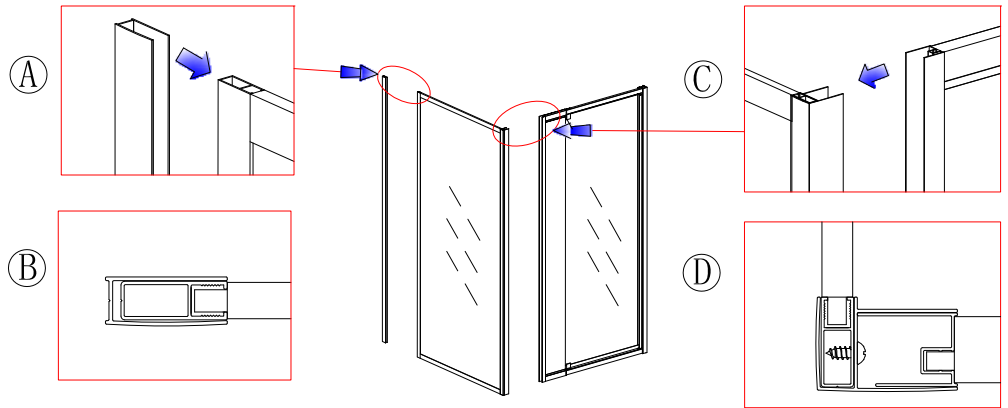


φ2.5

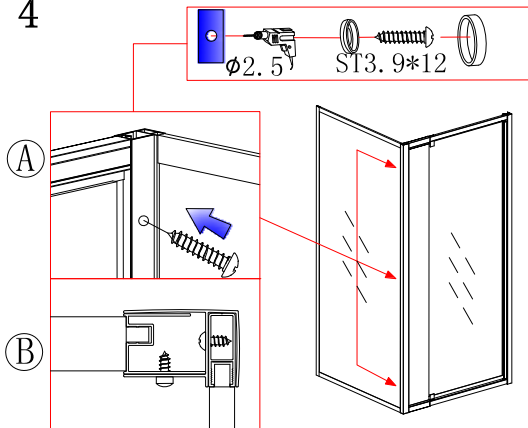
2



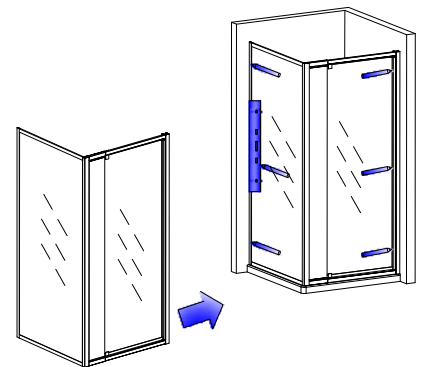
3



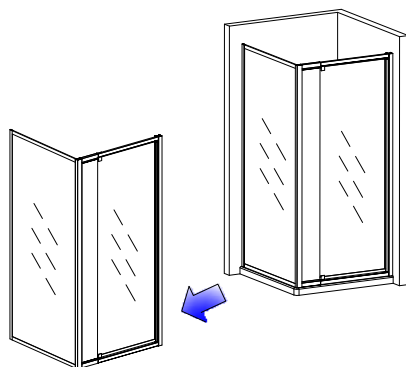
4



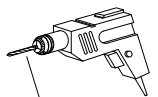
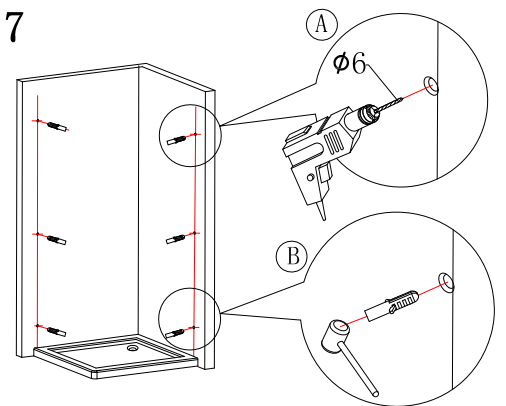
5



6

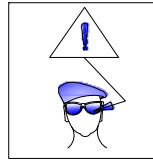
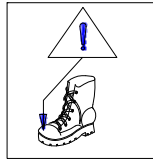
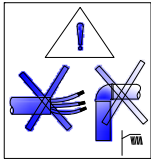
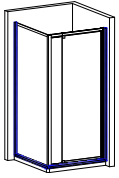


7



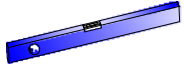
φ6
X6
φ6



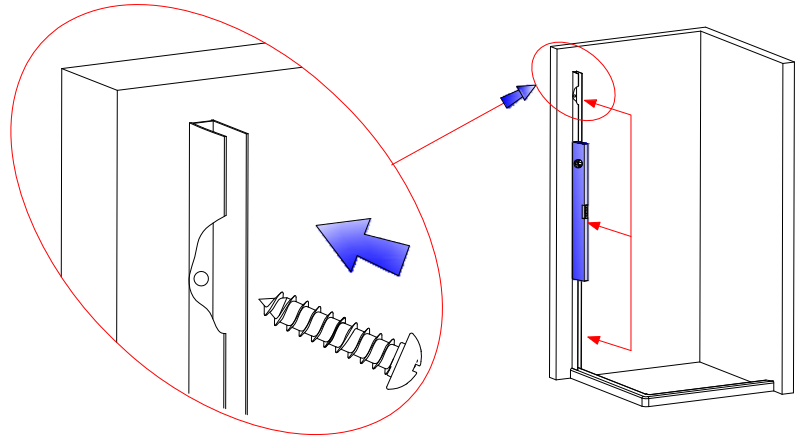


DT51S01

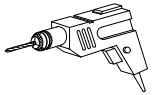
8



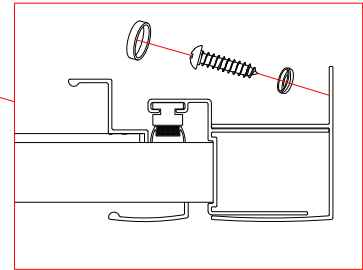
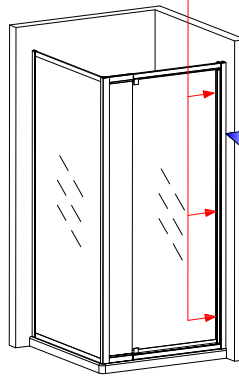
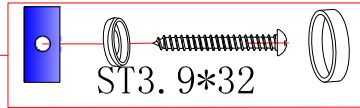
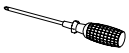
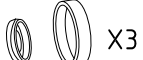
X3
ST3. 9*32



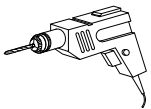
9



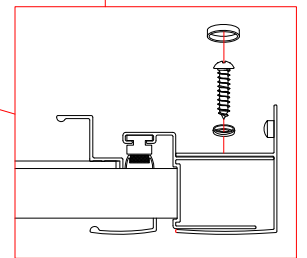
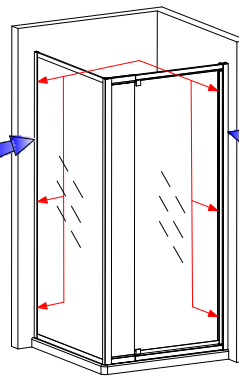
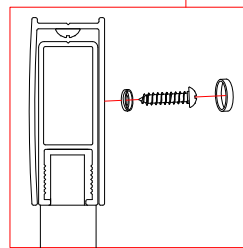
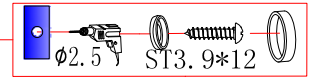
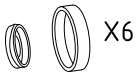
X3
ST3. 9*32



10



X6
ST3. 9*12



11

