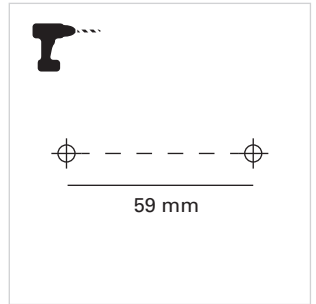
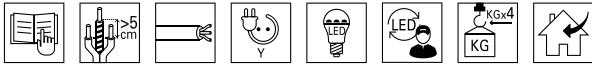


# Keeper

DE-0479

FOR  
LIGHT



1

2

3

4

5

6

OFF

ON

GU10