

FRC LINE

FRC50 / FRC90

EN Operating instructions

FR Mise en marche de votre robot nettoyeur de piscine

DE Bedienungsanleitung für den automatischen Bodensauger

IT Manuale di istruzioni

ES Funcionamiento del robot limpiador de piscina



Introduction

System overview

The robotic cleaner sweeps the pool floor and walls collecting dirt and debris in its internal filters. This user manual explains how to operate the robotic cleaner, including cleaning, maintenance and storage procedures. **Note:** This manual reviews several different models with variations.

Robotic cleaner operation

After the robotic cleaner is placed in the pool and activated, it operates according to its program. It moves along the floor and walls of the pool, covering the entire area of the pool. When it has finished its program, it remains inactive on the pool floor. Power will automatically shut off. **Note:** It's not recommended to stop the pool cleaner prior cycle end.

Note: Wall climbing is an optional feature. When the wall climbing feature is enabled, the robotic cleaner climbs the wall at intervals according to its internal program. Its ability to climb over stairs in swimming pool is subject to stair geometry and material.

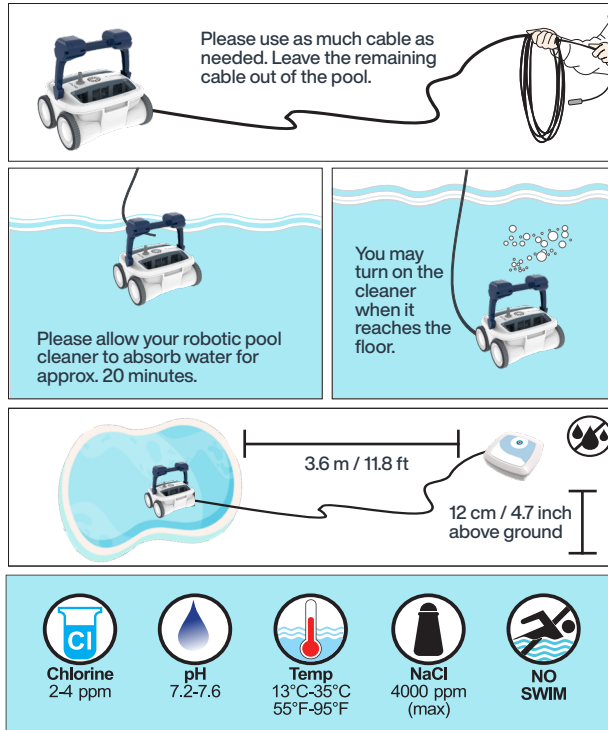
Operating conditions

The robotic cleaner is intended for use in residential swimming pools only in the following conditions: (1) Recommended water temperature 22°C-32°C (72°F-90°F). (2) Water pH: 7.2 - 7.6 (3) Chlorine level: pool is maintained according to the pool manufacturer's instructions. (Recommended Chlorine level: 2-4 ppm) **Note:** Failure to maintain the pool according to the recommended operating conditions could prevent the robotic cleaner from functioning properly.

Components



Operation



Placement the Power Supply

(1) Place the power supply at least 3.6 meters / 11.8 feet from the pool and at least 3.6 meters / 11.8 feet above the surface. **CAUTION: The power supply is not water resistant; it must not be exposed to water or to direct sunlight.**

(2) Press the plastic snap on the zip ties in order to release the floating cable, use as much cable as needed into the water.

Before placing the cleaner unit in the water

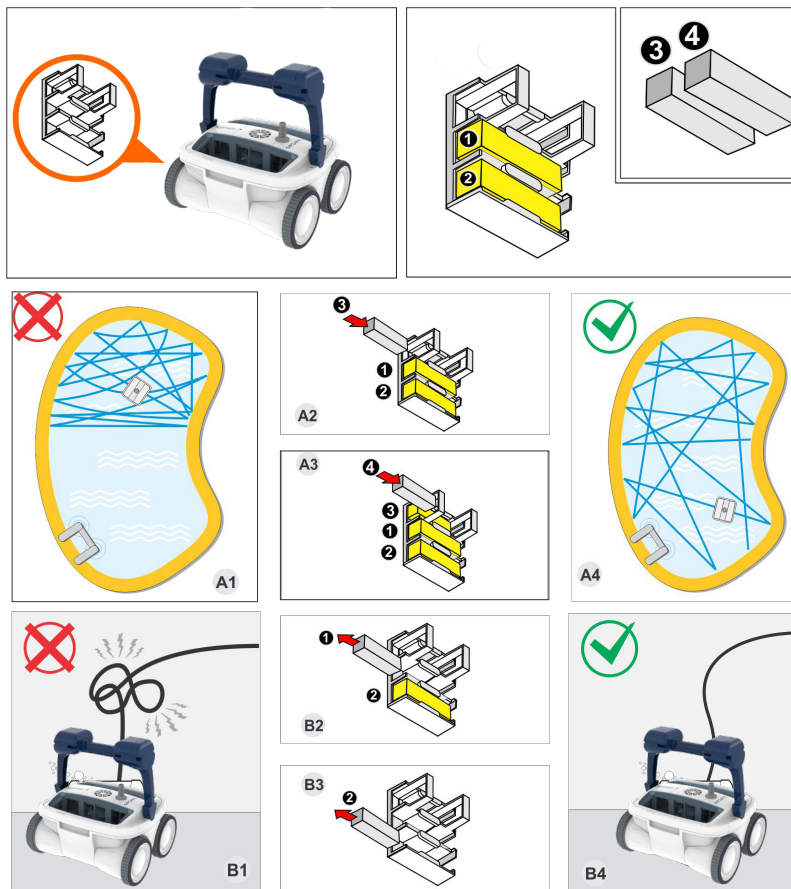
(1) Make sure there are no people in the pool. (2) Make sure that the filters are clean. (3) Make sure the pool conditions are met; (see “Operating Conditions”).

Placing cleaner in the water

(1) Unroll the floating cable. It is recommended to extend a length of cable that is equal to the pool diagonal size plus an additional two meters. Smooth out coils or twists in the cable. Roll extra cable outside the pool near the power and control unit. (2) Place the cleaner unit in the pool. (3) Let it sink to the bottom of the pool. Do not start operation before the robotic cleaner is settled on the pool floor. (4) Connect the floating cable to the socket located on the power and control unit.

CAUTION: Operating the cleaner out of water causes immediate severe damage and results in loss of warranty.

Float installation
 L'installation de flotteurs
 Auftriebskörper anpassen
 Installazione di flottante
 Instalación de flotador
 Instalação de flutuar



Operation

Starting the Robotic Cleaner

Connect the power supply to the wall socket. The on/off button is lit and the robotic cleaner starts its cleaning program. If the power and control unit is already connected to the AC socket, the on/off button flashes to indicate that the robotic cleaner is in standby mode. Press the Operation button. The on/off button turns on and the robotic cleaner starts the cleaning program. **Note:** When the Full Filter Indicator light on (optional in some models.) the filters must be cleaned before replacing the unit in the pool.

Cleaning Cycle

During the cleaning cycle, the cleaner: (1) moves across the pool floor picking up dirt and debris. (2) Changes direction and rotates automatically according to the selected program. (3) Climbs the pool walls every few minutes, as set in its internal program.

Note: The robotic cleaner might occasionally stop moving for a few seconds. This is part of normal operation, not a malfunction.

Stopping robotic cleaner operation

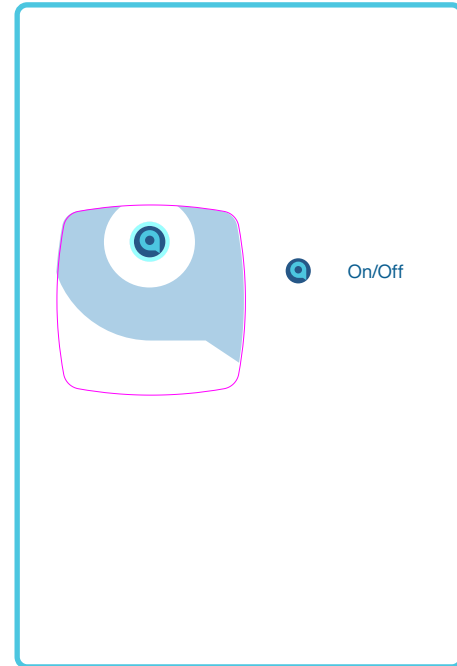
The robotic cleaner moves automatically to 'standby' after every cleaning cycle and the on/off button starts flashing. To stop the cleaner operation during a cleaning cycle, press the operation button once. The on/off button starts flashing and the cleaner is in standby mode.

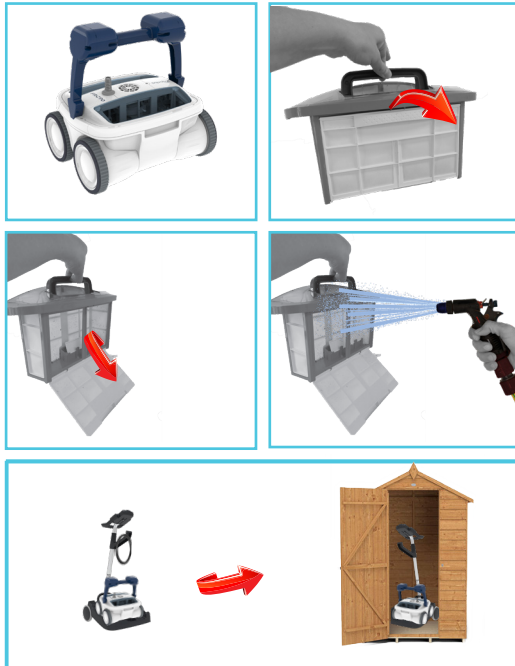
Pulling cleaner unit out of the water

(1) Unplug the floating cable from the power supply. (2) Pull the floating cable until the unit is close enough to reach the handle. (3) Using the handle, lift the cleaner out of the pool.

CAUTION: Do not use the floating cable to lift the cleaner unit out of the water.

Power Supply





Cleaning the filters

The two filters must be cleaned after each cleaning cycle. (1) Release the filter and pull it out of the cleaner unit. (2) Open the filter case. (3) Spray water on the outer sides of the filter and then spray water towards the inner side of the filter to clean all the dirt and debris. (4) Reinsert the filter back into its location until a click is heard to secure the filter in place.

Storing the robotic cleaner

Follow these instructions to store the robotic cleaner when not in use: (1) Disconnect the power cord from the wall outlet. (2) Disconnect the floating cable from the power supply. (3) Spread out the floating cable, and roll it. (4) Wash the cleaner unit interior space with fresh water and let it dry. (5) Roll the floating cable and place it on the cleaner unit. **Caution:** Do not roll the floating cable on the handle of the cleaner unit. (6) Store the robotic cleaner components in a dry, closed location. (7) Verify that the supply is not exposed to water.

Checking water outlet propeller

It is recommended to periodically clean debris and hair from the propeller of the water outlet: (1) Remove the filters (2) Remove the screws that holds the water outlet cover. (3) Remove the water outlet cover (4) Clean any hairs, dirt, or debris. (5) Return the cover and fasten it with the screws (6) Reinsert the filters.

Troubleshooting

Cleaner does not turn on

There is no electricity in the wall socket: (1) Disconnect cleaner from the power and control unit. (2) Disconnect power supply from the wall socket, wait 30 seconds and reconnect. (3) Turn power on. If not activated, connect the unit to a different wall socket.

Obstacle in the drive system of the cleaner unit: (1) Turn the cleaner unit carefully to view the underside. (2) Check that the scrubbing brush is not bent/broken. (3) Clean and remove obstacles and debris if necessary.

Propeller is seized due to accumulation of hair: Check if the propeller is broken or needs to be cleaned (see "Checking Water Outlet Propeller").

CLEANER MOVES BUT DOES NOT PUMP WATER

Filters are dirty: (1) Remove the filters (2) Run the robotic cleaner in the pool without the filters. If working properly, clean the filters well or replace the filters.

Propeller is broken or seized due to accumulation of hair: Check if the propeller is broken or needs cleaning (see "Checking Water Outlet Propeller").

CLEANER PUMPS WATER BUT DOES NOT MOVE

Obstacle in the drive system of the cleaner unit: (1) Turn the cleaner unit carefully to view the underside. (2) Check that the scrubbing brush is not bent/broken. (3) Clean and remove obstacles and debris if necessary.

CLEANER STARTS AND SHUTS OFF AFTER A SHORT TIME

Filters are dirty: (1) Remove the filters. (2) Run the robotic cleaner without the filters. If working properly, clean the filters well or replace the filters.

Propeller is broken or seized due to accumulation of hair: (1) Remove the top screws on the top outlet. (2) Check if the propeller is broken or needs to be cleaned.

Obstacle in the drive system of the cleaner unit: (1) Turn the cleaner unit carefully to view the underside. (2) Check that the scrubbing brush is not bent/broken. (3) Clean and remove obstacles and debris if necessary.

CLEANER DOES NOT PICK UP DIRT

Filters are dirty or have holes. Clean as needed and verify that there are no holes in the filters.

Propeller is broken or seized due to accumulation of hair.

Check if the propeller is broken or needs cleaning (see "Checking Water Outlet Propeller").

The suction inlet is not close enough to the pool floor.

Move the suction inlet OUT (see "Adjusting Suction Height").

CLEANER UNIT DOES NOT COVER THE ENTIRE POOL

Clean the filters.

1. Verify that there is enough length of the floating cable in the water to reach the far end of the pool.

2. Make sure that the floating cable is properly spread out and is not tangled.

Propeller is broken or seized due to accumulation of hair: (1) Remove the top screws on the top outlet. (2) Check if the propeller is broken or needs cleaning.

THE CLEANER DOES NOT CLIMB WALLS

(1) Verify that your robotic cleaner is not a floor-only model. (2) Verify that Program 1, floor cleaning only, is not selected on the power supply unit (see "Robotic Cleaner Programming" in the bluetooth manual). (3) Make sure to clean the filters (4) Make sure propeller isn't broken or tied up to debris/hair.



Warning

Do not stay in the pool and remove any and all items from the pool before operating the robotic pool cleaner. Do not leave the robot inside the pool if unused.

The power supply must be connected through a Ground Fault Current Interrupter (GFCI USA) or a Residual Current Device (RCD Europe) not exceeding 30 mA.

The connection to the power must meet local and national wiring rules.

All parts must be replaced with original parts supplied by Aquatron Robotic Technology.

Keep out of children's reach.

Warranty

2 YEARS WARRANTY POLICY

In application of the terms of Legislative Royal Decree 1/2007 of 16 November which approved the Revised Text of the Consumer and User Protection Act, BWT offers a two-year product warranty to consumers from the date on which they are delivered by the vendor, subject to the terms and conditions described in this warranty and without prejudice to the terms of the Royal Decree. This warranty will be valid in all Member States of the European Union, subject to the legal limitations in each country where it is enforced, in accordance with the rules for application .

The legal warranty covers all components elements and accessories, including power supplies, pumps, motors, electric wires, brushes, belts, handles, wheels, bags, remote controls and other product components .

Warranty Conditions:

Products may be covered under the legal and sales warranties as long as the problem is reported by the consumer within two months of becoming aware of it. In order for the warranty to apply, the consumer must contact:

- I) Contact with the Authorized Technical Assistance Service referred in the attached list and they will inform you about the procedure, or
- ii) Call the vendor from whom the product was purchased, who will provide you with further information.

Authorized Technical Assistance Service

BWT recommends (but does not require) that maintenance and repairs be performed by an Authorized Technical Assistance Service of BWT. If the products are assembled, disassembled, handled and/or repaired by anyone who is not an Authorized Technical Assistance provider, the legal or sales warranties will NOT apply. The warranty will NOT be harmed in cases of DIY repairs as detailed and recommended in the instruction manual. This warranty covers the repair or the return and replacement of the product as mandated by law. All repairs covered under the warranty must be performed by a Technical Assistance Service authorized by BWT.

The agents, representatives or distributors, DO NOT have the authority to increase or alter the obligations of the warranty in the name and on behalf of BWT.

Exclusions:

Under no circumstances will the legal or sales warranty provided by BWT be applicable when the defect or malfunction of the product is due to :

- I) Unauthorized modifications of the product ;
- ii) Misuse, abuse or negligence ;
- iii) Damages caused by force majeure or fortuitous events;
- iv) Use of salt water levels, higher than 5,000 ppm (0.5%)
- v) The failure to perform the preventive maintenance indicated in the instruction manual;
- vi) Use of the product in anything other than private, residential pools.

Furthermore, BWT will not be liable under any circumstances and neither the legal warranty nor the sales warranty will apply, for any damages that may or will occur to any pool, including pool's plaster or pool's vinyl liner, by reason of the use and/or operation of the BWT pool cleaner.

Introduction

Présentation du système

Le robot nettoie le fond (D400) et les parois (D500 et D600) de la piscine pour collecter les impuretés ou saletés et les débris dans ses filtres internes. Le présent manuel explique comment faire fonctionner le robot nettoyeur, y compris les procédures de nettoyage, d'entretien et de stockage.

Remarque:

Le présent manuel passe en revue différents modèles de robots nettoyeurs. Les composants varient selon le type de modèle.

Comment le robot nettoyeur débarrasse votre piscine des saletés

Une fois placé dans la piscine et activé, le robot nettoyeur fonctionne selon le programme établi par le module de contrôle et d'alimentation. Il se déplace le long du fond et des parois de la piscine en couvrant toute la zone. Lorsque le robot nettoyeur a terminé son programme, il reste inactif au fond de la piscine.

Remarque :

La montée des parois est en option. Lorsque la fonction de montée aux parois est activée, le robot nettoyeur effectue cette manœuvre par intervalles conformément à son programme interne. La capacité d'un robot nettoyeur à franchir des escaliers de la piscine est soumise à la géométrie et au matériau de l'escalier.

Conditions d'utilisation

Le robot nettoyeur est conçu pour être utilisé dans les piscines dans les conditions suivantes :

- Températures comprises entre 13°C et 35°C (55°F et 95°F), la température recommandée étant comprise entre 22°C et 32°C (72°F et 90°F).
- pH de l'eau : compris entre 7,2 et 7,6
- Niveau de chlore : la piscine est maintenue selon les instructions du fabricant de la piscine.

Remarque :

L'entretien inadéquat de la piscine suivant les recommandations fournies sur les conditions de fonctionnement pourrait occasionner un mauvais fonctionnement du robot nettoyeur. Retirez le nettoyeur de l'eau lorsque vous réalisez un "traitement par choc chimique" de l'eau de la piscine.

Composition du carton:

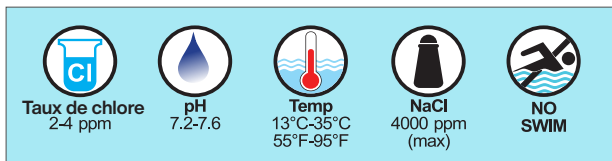
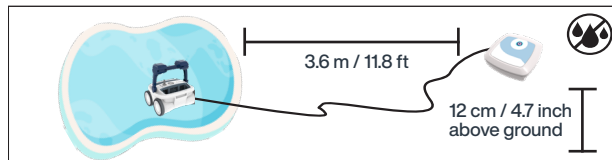
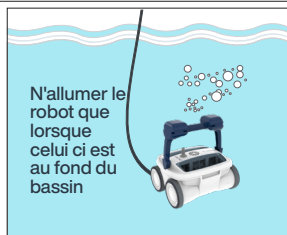
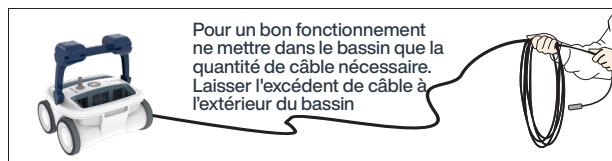


Transformateur



Robot

Fonctionnement



Placer le module d'alimentation et de contrôle

Placez le module de commande et d'alimentation à 3,6 mètres (11,8 pieds) au moins de la piscine et à 12 cm (4 pouces) au moins au-dessus de la surface.

MISE EN GARDE: Le module de commande et d'alimentation ne doit pas être exposé à l'eau ou directement aux rayons du soleil.

Défaites les attaches en plastique des câbles flottants, qui sont utilisées pour fixer les câbles pendant le transport, en appuyant sur le fermoir plastique de l'attache.

Avant de placer le module de nettoyage dans la piscine

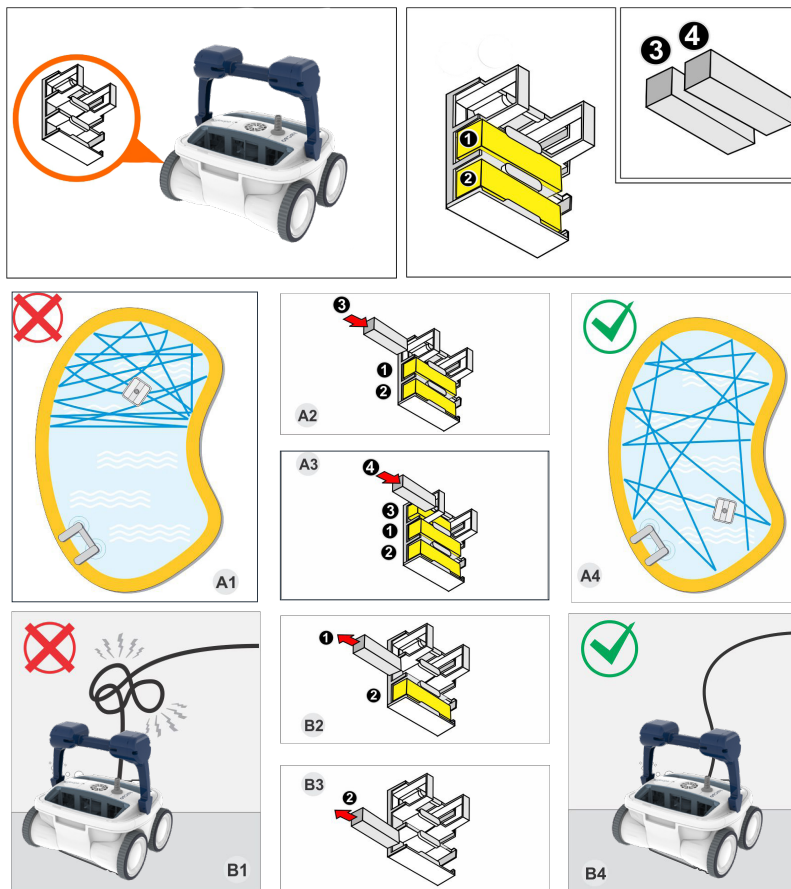
1. Assurez-vous qu'il n'y a personne dans la piscine.
2. Assurez-vous que les filtres sont propres.
3. Assurez-vous que les conditions de la piscine sont remplies ; (Voir la rubrique « Conditions de fonctionnement »).

Placer le module de nettoyage dans l'eau

1. Déroulez le câble flottant. Il est recommandé d'étendre une longueur de câble égale à la diagonale de la piscine, plus deux mètres supplémentaires.
2. Placez le module de nettoyage dans la piscine.
3. Laissez le robot nettoyeur se poser au fond de la piscine. Attendez que le robot nettoyeur ait atteint le fond de la piscine pour déclencher la mise en marche.
4. Déployez le câble flottant dans la piscine. Assurez-vous que seule la longueur de câble requise est déployée dans la piscine. Évitez les enroulements ou les torsions de câble. Déroulez une longueur de câble supplémentaire en dehors de la piscine près du module de commande et d'alimentation.
5. Branchez le câble flottant à la prise située sur le module de commande et d'alimentation.

MISE EN GARDE: L'utilisation du nettoyeur hors de l'eau cause de graves dommages immédiatement et se traduit par la perte de la garantie.

Float installation
 L'installation de flotteurs
 Auftriebskörper anpassen
 Installazione di flottante
 Instalación de flotador
 Instalação de flutuar



Français

Fonctionnement

Démarrage du robot nettoyeur

Branchez le module de commande et d'alimentation à la prise secteur. Le voyant lumineux de fonctionnement s'allume et le robot nettoyeur commence son programme de nettoyage.

Si le module de commande et d'alimentation est déjà connecté à la prise secteur, le voyant lumineux fonctionnement clignote pour indiquer que le robot nettoyeur est en mode veille.

Appuyez sur le bouton Marche. Le voyant lumineux de fonctionnement s'allume et le robot nettoyeur commence son programme de nettoyage.

Remarque : Lorsque le voyant de vérification du filtre est allumé, les filtres du robot nettoyeur doivent être nettoyés avant de placer le module de nettoyage dans la piscine. Le voyant de vérification du filtre est facultatif sur certains modèles.

Cycle de nettoyage

Pendant le cycle de nettoyage, le robot nettoyeur :

- Se déplace dans le fond de la piscine et collecte les impuretés et les débris.
- Change de direction et suit automatiquement un parcours en fonction du programme sélectionné
- Monte les parois de la piscine à une fréquence défini dans son programme interne.

Remarque : Le robot nettoyeur peut parfois s'immobiliser pendant quelques secondes. Il ne s'agit pas d'un cas de dysfonctionnement, mais cela fait partie du fonctionnement normal.

Arrêter le robot nettoyeur

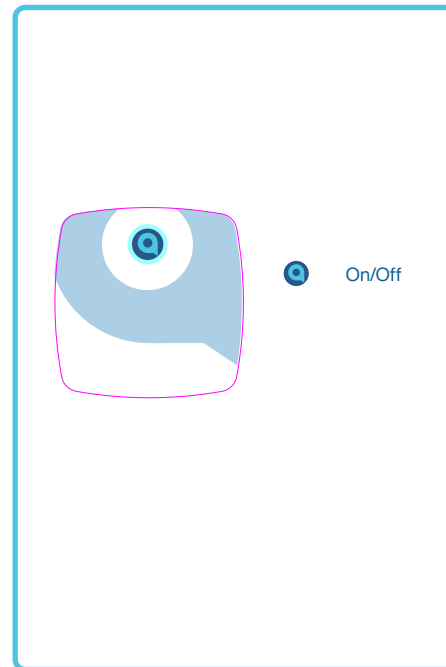
Le robot nettoyeur passe automatiquement en mode veille après chaque cycle de nettoyage et le voyant lumineux de fonctionnement se met à clignoter. Pour arrêter le robot au cours d'un cycle de nettoyage, appuyez sur la touche « Marche » une fois. Le voyant lumineux de fonctionnement se met à clignoter et le robot nettoyeur passe en mode veille.

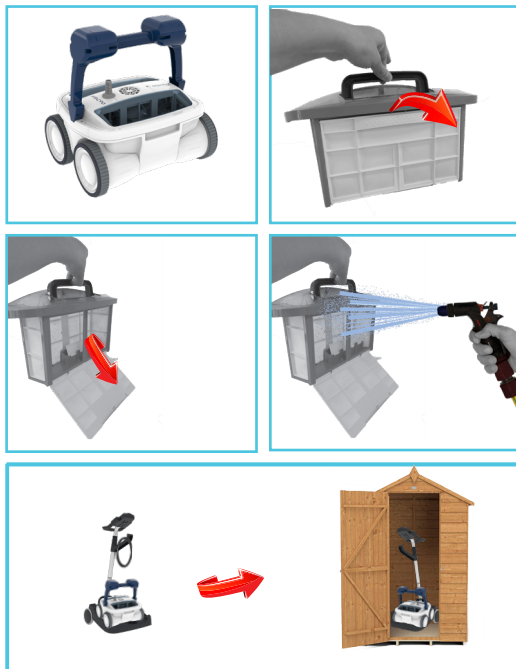
Retirer le module de nettoyage de l'eau

1. Débranchez le câble flottant du module de commande et d'alimentation.
2. Tirez sur le câble flottant pour rapprocher le module de nettoyage jusqu'à ce qu'il soit possible de saisir la poignée par la main.
3. Utilisez la poignée, soulevez le module de nettoyage pour le retirer de la piscine.

Attention: N'utilisez pas le câble flottant pour sortir le module de nettoyage de l'eau.

Power Supply





Nettoyage des filtres

Les deux filtres doivent être nettoyés après chaque cycle de nettoyage.

1. Libérez le filtre et délogez-le du module de nettoyage.
2. Tirez sur la porte du boîtier de filtre pour l'ouvrir.
3. Poignée vers l'extérieur du filtre, puis vers l'intérieur pour nettoyer toutes les impuretés et les débris.
4. Vérifiez que le petit volet plastique (2) est en place et intact. Fermez le filtre.
5. Logez le filtre dans son boîtier jusqu'à ce qu'un déclic se fasse entendre pour le fixer.

Rangement du robot nettoyeur

Suivez les consignes ci-dessous pour ranger le robot nettoyeur lorsque vous ne l'utilisez pas :

1. Débranchez le cordon d'alimentation de la prise secteur.
2. Débranchez le câble flottant du module de commande et d'alimentation.
3. Déroulez le câble flottant et redressez toutes les torsions.
4. Lavez l'intérieur du module de nettoyage à l'eau claire et laissez sécher.
5. Enroulez le câble flottant et placez-le sur le module de nettoyage.

Attention: Enroulez le câble flottant sur la poignée prévue à cet effet sur le chariot de transport.

6. Rangez les composants du robot nettoyeur dans un endroit sec et fermé.
7. Vérifiez que le module de commande et d'alimentation n'est pas exposé à l'eau.

Vérification de l'hélice de sortie de l'eau

Il est recommandé de nettoyer périodiquement les débris et les cheveux de l'hélice de la turbine d'aspiration :

1. Retirez les filtres
2. Retirez les vis qui fixent le couvercle de la sortie de l'eau
3. Retirez le couvercle de la sortie de l'eau
4. Nettoyez tous cheveux, saleté ou débris
5. Vérifiez que l'hélice ne soit pas cassée
6. Reposez le couvercle, puis serrez-le avec les vis
7. Réinsérez les filtres

Dépannage

LE ROBOT NETTOYEUR NE S'ALLUME PAS :

Il n'y a pas d'électricité dans la prise murale: (1) Débranchez le câble du robot nettoyeur de son bloc d'alimentation et de commande. (2) Déconnecter l'alimentation de la prise murale, attendez 30 sc et rebranchez là. (3) Si l'alimentation ne s'allume pas, essayer avec une autre prise

Obstacle dans le système d'entraînement de l'unité de nettoyage: (1) Retournez le robot brosse vers le haut. (2) Vérifiez que la brosse nettoyante n'est pas pliée / cassée. (3) Nettoyez et enlevez les obstacles et les débris si nécessaire.

L'hélice est grippée en raison de l'accumulation de fibres/cheveux: Vérifier si l'hélice est cassée ou doit être nettoyée (voir « Vérification de l'hélice de sortie d'eau »).

LE ROBOT NETTOYEUR SE DÉPLACE MAIS NE POMPE PAS D'EAU :

Les filtres sont sales: 1. Retirez les filtres
2. Faites fonctionner le robot nettoyeur dans la piscine sans les filtres. S'il fonctionne correctement, nettoyez bien les filtres ou remplacez les filtres.

L'hélice est cassée ou grippée en raison de l'accumulation de fibres/cheveux: Vérifiez si l'hélice est cassée ou doit être nettoyée (voir « Vérification de l'hélice de sortie d'eau »).

LE ROBOT NETTOYEUR ASPIRE MAIS NE SE DÉPLACE PAS :

Obstacle dans le système d'entraînement du robot nettoyeur:(1) Retournez le robot brosse vers le haut. (2) Vérifiez que la brosse nettoyante n'est pas pliée / cassée. (3) Nettoyez et enlevez les obstacles et les débris si nécessaire.

LE ROBOT NETTOYEUR DÉMARRE ET S'ÉTEINT APRÈS UN COURT INSTANT :

Les filtres sont sales: (1) Retirez les filtres (2) Faites fonction-

ner le robot nettoyeur dans la piscine sans les filtres. S'il fonctionne correctement, nettoyez bien les filtres ou remplacez les filtres.

L'hélice est cassée ou grippée en raison de l'accumulation de fibres/cheveux: Vérifiez si l'hélice est cassée ou doit être nettoyée (voir « Vérification de l'hélice de sortie d'eau »).

Obstacle dans le système d'entraînement du robot nettoyeur : (1) Retournez le robot brosse vers le haut. (2) Vérifiez que la brosse nettoyante n'est pas pliée / cassée. (3) Nettoyez et enlevez les obstacles et les débris si nécessaire.

LE ROBOT NETTOYEUR N'ASPIRE PAS LES SALETÉS :

Les filtres sont sales ou ont des trous : Nettoyez au besoin et vérifiez qu'il n'y a pas de trous dans les filtres.

L'hélice est cassée ou grippée en raison d'une accumulation des fibres / cheveux: Vérifiez si l'hélice est cassée ou doit être nettoyée (voir « Vérification de l'hélice de sortie d'eau »).

L'entrée d'aspiration n'est pas assez proche du fond de la piscine: Déplacez l'entrée d'aspiration sur Maximum (voir « Réglage de l'aspiration »).

LE ROBOT NETTOYEUR NE COUVRE PAS TOUT LE BASSIN :

Nettoyez les filtres: (1) Vérifiez que la longueur du câble flottant est suffisante dans l'eau pour atteindre l'extrémité de la piscine. (2) Assurez-vous que le câble flottant est correctement étalé et n'est pas emmêlé.
L'hélice est cassée ou grippée en raison d'une accumulation des fibres / cheveux: Vérifiez si l'hélice est cassée ou doit être nettoyée (voir « Vérification de

l'hélice de sortie d'eau »).

LE ROBOT NETTOYEUR NE MONTE PAS AU

PAROIS : (1) Vérifiez que votre robot nettoyeur n'est pas modèle destiné uniquement au sol. (2) Vérifiez que le programme 1, nettoyage des sols uniquement, n'est pas sélectionné sur le bloc d'alimentation (voir « Programme de nettoyage » dans le manuel Bluetooth). (3) Nettoyez au besoin et vérifiez qu'il n'y a pas de trous dans les filtres. (4) Vérifier si l'hélice est cassée ou s'il faut retirer les fibres / cheveux.



ATTENTION

Ne restez pas dans la piscine et retirez tous les articles de la piscine avant fonctionnement du robot nettoyeur de piscine. Sortez le robot nettoyeur de l'eau après chaque utilisation.

L'alimentation doit être connectée à une prise de courant raccordée à la terre. Interrupteur (GFCI USA) ou un résidu Appareil actuel (RCD Europe) non dépassant 30 ma. La connexion à l'alimentation doit répondre aux règles de câblage locales et nationales.

Toutes les pièces doivent être remplacées par les pièces Originales fournies par Aquatron Robotic Technologie.

Tenir hors de la portée des enfants.

GARANTIE

CONTRAT DE GARANTIE 2 ANS

Mettant en pratique les modalités du Décret législatif royal 1/2007 du 16 novembre, par lequel a été approuvé le Texte révisé de la Loi sur la protection du consommateur et de l'utilisateur, BWT offre au consommateur une garantie du produit durant 2 ans, commençant à la date de livraison du produit par le fournisseur, selon les modalités énoncées dans cette garantie, sans préjudice des modalités du Décret royal. Cette garantie sera valable dans tous les états membres de l'Union européenne, sous réserve des limites prescrites par la loi dans chacun des pays où elle est appliquée, selon les modalités de sa mise en oeuvre. La garantie légale couvre tous les composants, éléments et accessoires, y-compris les blocs d'alimentation, les pompes, les moteurs, les fils électriques, les brosses, les courroies, les poignées, les roues, les sacs, les télécommandes, ainsi que d'autres composants du produit.

Modalités de la garantie

Les produits peuvent être couverts par la garantie légale et la garantie de vente, à condition que le problème soit signalé par le consommateur dans un délai de deux mois après en avoir pris connaissance. Pour mettre la garantie en oeuvre, le consommateur doit :

- i. contacter le Service d'assistance technique autorisée figurant dans la liste ci-jointe ; ils vous renseigneront sur les démarches à entreprendre, ou ;
- ii. appelez le fournisseur chez lequel le produit fut acheté ; il vous fournira des renseignements supplémentaires.

Service d'assistance technique autorisé

BWT recommande (mais n'exige pas) que les réparations soient faites par le Service d'assistance technique autorisé de BWT. Si les produits sont montés, démontés, maniés et /ou réparés par quiconque autre qu'un fournisseur d'assistance technique autorisé, les garanties légale et de vente ne seront PAS valides. La garantie NE SERA PAS compromise si vous faites des réparations vous-même, selon les précisions et les recommandations du mode d'emploi. Cette garantie couvre la réparation ou le renvoi et le remplacement du produit, selon les exigences de la loi. Toutes réparations couvertes sous cette garantie doivent être effectuées par un service d'assistance technique autorisé par BWT. Les agents et les représentants N'ONT PAS le droit d'augmenter ou de modifier les obligations de la garantie au nom et pour le compte de BWT.

Exclusions :

La garantie légale ou de vente de BWT ne sera dans aucun cas valable si le défaut ou la panne du produit est causé par :

- i. la modification non-autorisée du produit ;
- ii. le mauvais usage, l'abus ou la négligence ;
- iii. des dégâts causés par force majeure, ou par des événements imprévus ;
- iv. l'utilisation d'eau salée à des concentrations supérieures à 5.000 ppm (0,5%) ;
- v. la non-exécution de l'entretien préventif indiqué dans le mode d'emploi ;
- vi. l'utilisation du produit autre que dans des piscines résidentielles privées.

En outre, quelques soient les circonstances, BWT ne sera pas tenu responsable, et les garanties légale et de vente ne seront pas valides, pour tous dégâts qui pourraient se produire ou se produiront dans n'importe quelle piscine, y-compris une atteinte au plâtre de la piscine ou à son revêtements vinyle, en raison de l'utilisation et / ou du fonctionnement du nettoyeur de piscine BWT.

Introducción

Descripción general del sistema

El robot limpiafondos limpia el fondo y las paredes de la piscina para recoger la suciedad y los residuos en sus filtros internos.

Nota:

Este manual del usuario explica cómo utilizar el robot limpiafondos, incluyendo los procedimientos de limpieza, mantenimiento y de almacenamiento.

Cómo limpia el robot limpiafondos su piscina

Este manual revisa varios modelos de robot limpiafondos. Hay algunas variaciones en los componentes según el modelo específico. Cuando el robot limpiafondos se ha colocado en la piscina y se ha encendido, funciona de acuerdo con el programa establecido a través de la unidad de alimentación y control. El robot limpiafondos se desliza por el fondo y las paredes de la piscina, cubriendo toda la zona de la piscina. Cuando finaliza el programa, permanece inactivo en el fondo de la piscina.

Nota:

La subida por las paredes es una función opcional. Cuando la función de subida de paredes está activada, el robot limpiafondos sube por las paredes a intervalos según su programa interno. La capacidad de un robot limpiafondos para subir por las escaleras de una piscina está sujeta a la geometría de la escalera y a su material.

Condiciones de funcionamiento

El robot limpiafondos está diseñado para uso en piscinas en las siguientes condiciones:

- Temperaturas de entre 13 °C - 35 °C; la temperatura recomendada es de entre 22 °C - 32 °C.
- pH del agua: 7,2 - 7,6
- Nivel de cloro: la piscina se mantiene de acuerdo con las instrucciones del fabricante de la piscina.

Nota:

Si la piscina no se mantiene de acuerdo con las condiciones de funcionamiento recomendadas, el robot limpiafondos podría no funcionar correctamente. Retire el robot del agua cuando realice el "Tratamiento de Choque Químico" en el agua de la piscina.

Componentes



Cable

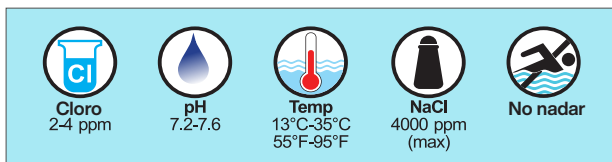
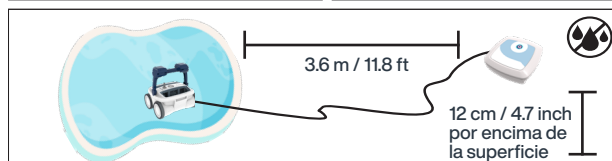
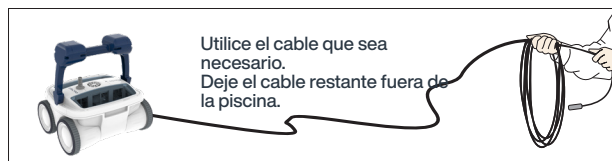


Unidad de alimentación



Robot limpiador de piscinas

Utilización



Colocación de la unidad de alimentación y control

Coloque la unidad de alimentación y control al menos a 3,6 metros de distancia de la piscina y al menos 12 cm por encima de la superficie.

PRECAUCIÓN: La unidad de alimentación y de control no debe exponerse al agua o a la luz solar directa.

Libere las bridas de plástico del cable flotante, que se utilizan para sujetar los cables durante el envío, presionando el aro de plástico de las bridas.

Antes de colocar el limpiafondos en el agua

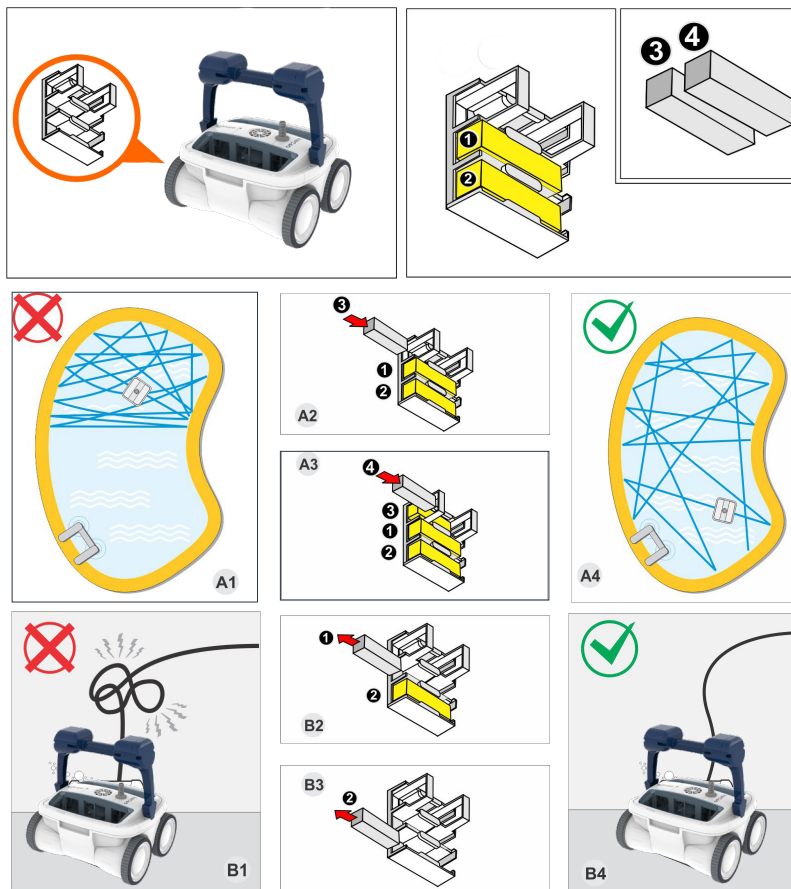
1. Asegúrese de que no haya nadie en la piscina.
2. Asegúrese de que los filtros estén limpios.
3. Asegúrese de que se cumplan las condiciones de la piscina; (consulte "Condiciones de funcionamiento").

Colocación del limpiafondos en el agua

1. Desenrolle el cable flotante. Se recomienda extender una longitud de cable equivalente a la diagonal de la piscina más dos metros adicionales.
2. Coloque el limpiafondos en la piscina.
3. Deje que el robot limpiafondos se hunda hasta el fondo de la piscina. No lo ponga en marcha antes de que esté asentado en el suelo de la piscina.
4. Extienda el cable flotante por la piscina. Asegúrese de extender sólo la longitud necesaria del cable por la piscina. Deshaga los enredos o torceduras del cable. Enrolle el cable adicional fuera de la piscina cerca de la unidad de alimentación y control.
5. Conecte el cable flotante (A) a la toma (B) ubicada en la unidad de alimentación y control.

PRECAUCIÓN: La utilización del limpiafondos fuera del agua causa graves daños inmediatos y ocasiona la pérdida de la garantía.

Float installation
 L'installation de flotteurs
 Auftriebskörper anpassen
 Installazione di flottante
 Instalación de flotador
 Instalação de flutuar



Utilización

Puesta en marcha del robot limpiafondos

1. Conecte la unidad de alimentación y control a la toma de la pared. El LED de funcionamiento (4) se enciende y el robot limpiafondos inicia su programa de limpieza.

Si la unidad de alimentación y de control ya está conectada a la toma de CA, el LED de funcionamiento (5) parpadea para indicar que el robot limpiafondos está en modo de espera.

Pulse el botón de funcionamiento (6). El LED de funcionamiento se enciende y el robot limpiafondos comienza el programa de limpieza.

Nota: cuando se enciende el LED de comprobación del filtro, los filtros del robot limpiafondos deben limpiarse antes de colocar el robot en la piscina. El LED de comprobación del filtro es opcional en algunos modelos.

Ciclo de limpieza

Durante el ciclo de limpieza, el robot limpiafondos:

- Se desplaza por el fondo de la piscina recogiendo la suciedad y los residuos.
- Cambia de dirección y gira automáticamente según el programa seleccionado
- Sube por las paredes de la piscina cada pocos minutos, según lo establecido en su programa interno.

Nota: ocasionalmente, el robot limpiafondos puede dejar de moverse durante unos segundos. Esto forma parte del funcionamiento normal, no indica ninguna avería.

Parada de funcionamiento del robot limpiafondos

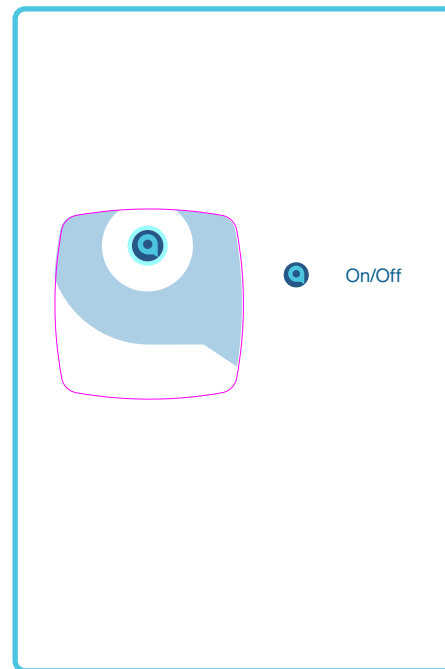
El robot limpiafondos se mueve automáticamente al modo de espera (STANDBY) después de cada ciclo de limpieza, y el LED de funcionamiento (5) empezará a parpadear. Para detener el funcionamiento del limpiafondos durante un ciclo de limpieza, presione el botón de funcionamiento (7) una vez. El LED de funcionamiento (7) empezará a parpadear y el limpiafondos pasará a estar en modo de espera."

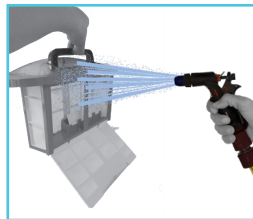
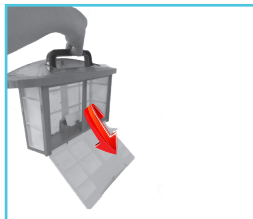
Extracción del limpiafondos del agua

1. Desconecte el cable flotante de la unidad de alimentación y control.
2. Tire hacia arriba el cable flotante para acercar la unidad del limpiafondos hasta que sea posible agarrar el asa.
3. Agarrando el asa, levante el limpiafondos para extraerlo de la piscina.

Precaución: No utilice el cable flotante para extraer el limpiafondos fuera del agua.

Power Supply





Limpieza de filtros

Los dos filtros deben limpiarse después de cada ciclo de limpieza.

1. Libere el filtro y sáquelo del limpiafondos. (1), (2)
2. Tire de la puerta del filtro contra la carcasa del filtro para abrir la caja del filtro. (3), (4)
3. Rocíe agua sobre los lados exteriores del filtro y luego hacia el lado interno del filtro para limpiar toda la suciedad y los escombros. (5)
4. Compruebe que el obturador de plástico pequeño (2) esté en su lugar y no esté roto. (6)
5. Introduzca el filtro en su lugar hasta oír un clic para asegurarlo. (7), (8)

Almacenamiento del robot limpiafondos

Siga estas instrucciones para almacenar el robot limpiafondos cuando no esté en uso:

1. Desconecte el cable de alimentación de la toma de la pared.
2. Desconecte el cable flotante de la unidad de alimentación y control.
3. Extienda el cable flotante y elimine los enredos del cable.
4. Limpie el espacio interior del limpiafondos con agua limpia y deje que se seque.
5. Enrolle el cable flotante y colóquelo en la unidad del limpiafondos.

Precaución: No enrolle el cable flotante en el asa del limpiafondos.

6. Guarde los componentes del robot limpiafondos en un lugar seco y cerrado.
7. Compruebe que la unidad de alimentación y control no esté expuesta al agua.

Comprobación de la hélice de salida de agua

Se recomienda que limpie periódicamente la suciedad y los pelos de la hélice de salida de agua: Consulte la siguiente página para ver instrucciones detalladas

1. Extraiga los filtros
2. Retire los tornillos que sujetan la cubierta de la salida de agua. (3)
3. Retire la cubierta de la salida de agua (4).
4. Limpie todos los pelos, suciedad o residuos.
5. Compruebe que la hélice no esté rota.
6. Vuelva a colocar la tapa (8) y fíjela con los tornillos (9).
7. Vuelva a colocar los filtros

Solución de problemas

EL LIMPIADOR NO SE ENCIENDE

No hay electricidad en el enchufe de la pared: (1) Desconecte el limpiador de la unidad de alimentación y control. (2) Desconecte la fuente de alimentación del enchufe de pared, esperar 30 segundos y volver a conectar. (3) Encienda la alimentación. Si no se activa, conecte la unidad a un enchufe de pared diferente.

Obstáculo en el sistema de accionamiento de la unidad de limpieza: (1) Gire la unidad de limpieza con cuidado para ver la parte inferior. (2) Compruebe que el cepillo no esté doblado ni roto. (3) Limpie y elimine obstáculos y escombros si es necesario.

Propeller is seized due to accumulation of hair: Check if the propeller is broken or needs to be cleaned (see "Checking Water Outlet Propeller").

La hélice está atascada debido a la acumulación de pelo: comprobar si la hélice está rota o necesita ser limpiada (ver "Comprobación de la hélice de salida de agua").

EL LIMPIADOR BOMBEA AGUA PERO NO SE MUEVE

Obstáculo en el sistema de accionamiento de la unidad de limpieza: (1) Gire la unidad de limpieza con cuidado para ver la parte inferior. (2) Compruebe que el cepillo no esté doblado ni roto. (3) Limpiar y eliminar obstáculos y escombros si es necesario.

EL LIMPIADOR EMPIEZA Y SE APAGA AL POCO TIEMPO

Los filtros están sucios: (1) Retire los filtros. (2) Ejecute el robot limpiador sin los filtros. Si funciona correctamente, limpie bien los filtros o reemplace los filtros.

La hélice está rota o agarrada debido a la acumulación de cabello: (1) Retire los tornillos superiores de la tapa superior. (2) Compruebe si la hélice está rota o necesita ser limpiada.

Obstáculo en el sistema de accionamiento de la unidad de limpieza: (1) Gire la unidad de limpieza con cuidado para ver la parte inferior. (2) Compruebe que el cepillo no esté doblado /roto. (3) Limpiar y eliminar obstáculos y escombros si necesario.

EL LIMPIADOR NO RECOGE LA SUCIEDAD

Los filtros están sucios o tienen agujeros. Limpie según sea necesario y verifique que no haya agujeros en los filtros. La hélice está rota o agarrada debido a la acumulación de cabello. Compruebe si la hélice está rota o necesita limpieza. (consulte "Comprobación de la hélice de salida de agua"). La entrada de succión no está lo suficientemente cerca del fondo de la piscina. Mueva la entrada de succión HACIA FUERA (consulte "Ajuste de altura de succión").

LA UNIDAD DE LIMPIEZA NO CUBRE TODA LA PISCINA

Limpier los filtros. (1) Verifique que haya suficiente longitud de cable flotante en el agua para llegar al otro extremo de la piscina. (2) Asegúrese de que el cable flotante esté correctamente extendido y no se enreda.

La hélice está rota o agarrada debido a la acumulación de cabello: (1) Quite los tornillos superiores de la tapa superior. (2) Compruebe si la hélice está rota o necesita limpieza.

EL LIMPIADOR NO SUBE LAS PAREDES

(1) Verifique que su robot limpiador no sea solo para modelos de fondos. (2) Verifique que el Programa 1, solo limpieza de fondo, no esté seleccionado en la unidad de fuente de alimentación (consulte "Programación de limpieza del robot" en el manual de bluetooth). (3) Asegúrese de limpiar los filtros (4) Asegúrese de que la hélice no está rota ni agarrada debido a escombros / cabello.



Warning

No estar en la piscina y retirar todos y cada uno de los elementos de la piscina antes de poner en marcha el robot limpiafondos. No deje el robot dentro de la piscina sin uso.

La fuente de alimentación debe estar conectada a través de una corriente de toma a tierra (GFCI USA) o a un dispositivo de corriente residual (RCD Europa) no superior a 30 mA. La conexión a la corriente debe cumplir las reglas locales y nacionales de cableado.

Todas las piezas deben ser reemplazadas por piezas originales suministradas por Aquatron Robotic Technology.

Manténgase fuera del alcance de los niños.

GARANTÍA

POLÍTICA DE LA GARANTÍA DE 2 AÑOS

En aplicación de lo dispuesto en el Real Decreto Legislativo 1/2007, de 16 de noviembre, que aprueba el texto revisado de la Ley de Protección de los Consumidores y Usuarios, BWT ofrece a los clientes una garantía de 2 años de los productos a partir de la fecha en que son suministrados por el proveedor, sujeto a los términos y condiciones descritos en esta garantía, y sin perjuicio de lo dispuesto en el Real Decreto. Esta garantía será válida con sujeción a las limitaciones legales en cada país en el que sea vigente, de conformidad con las normas de aplicación. La garantía legal cubre los elementos y accesorios de todos los componentes, incluyendo fuentes de alimentación, bombas, motores, cables eléctricos, cepillos, correas, manijas, ruedas, bolsas, mandos a distancia y otros componentes del producto.

Condiciones de la garantía:

Los productos pueden estar cubiertos por garantías legales y de venta, siempre y cuando el problema sea notificado por el consumidor en el plazo de dos meses después de haber tenido conocimiento de ello. A fin de que pueda aplicarse la garantía, el consumidor debe ponerse en contacto con:

- i. el servicio de asistencia técnica autorizado indicado en la lista adjunta y le informarán sobre el procedimiento a seguir, o
- ii. llamar al proveedor al que adquirió el producto, que le proporcionará más información.

Servicio de asistencia técnica autorizado

BWT recomienda (pero no exige) que el mantenimiento y las reparaciones sean realizados por un servicio de asistencia técnica autorizado de BWT. Si los productos son montados, desmontados, manipulados y/o reparados por cualquier persona que no sea un proveedor del servicio técnico autorizado, NO se aplicarán las garantías legales o de ventas. La garantía NO quedará invalidada en casos de reparaciones de bricolaje como se detalla y se recomienda en el manual de instrucciones.

Esta garantía cubre la reparación o la devolución y el reemplazo del producto según lo dispuesto por la ley. Todas las reparaciones cubiertas por la garantía deben ser realizadas por un Servicio de asistencia técnica autorizado por BWT. Los agentes, representantes o distribuidores NO tienen autorización para aumentar o modificar las obligaciones de la garantía en nombre y representación de BWT.

Exclusiones:

En ningún caso, la garantía legal o de ventas proporcionada por BWT será aplicable cuando el defecto o el fallo de funcionamiento del producto se deban a:

- i. Modificaciones no autorizadas del producto;
- ii. Mal uso, abuso o negligencia;
- iii. Daños causados por fuerza mayor, desastre natural o sucesos fortuitos.
- iv. No realizar el mantenimiento preventivo que se indica en el manual de instrucciones.
- v. La utilización o empleo del producto en cualquier otro lugar que no sea una piscina privada o residencial.

Por otra parte, BWT no será responsable bajo ninguna circunstancia y no aplicará ni la garantía legal ni la garantía comercial por cualquier daño que se produzca o pudiese producir, en cualquier piscina, en los materiales y revestimientos de cualquier tipo con motivo de la utilización y/o funcionamiento del limpiafondos para piscinas BWT.

Einführung

Systemübersicht

Der automatische Poolroboter säubert den Boden und die Wände des Schwimmbeckens, um Schmutz und Verunreinigungen in seinen internen Filtern zu sammeln. Diese Bedienungsanleitung erklärt wie man den automatischen Poolroboter bedient, einschließlich der Reinigung, Wartung und der Lagerung.

Hinweis: Diese Anleitung bespricht mehrere Modelle von automatischen Poolroboter. Einige Variationen von Komponenten sind nur bei spezifischen Modellen vorhanden.

Wie der automatische Poolroboter ihr Schwimmbecken reinigt

Nachdem der automatische Poolroboter im Schwimmbecken platziert und aktiviert wurde, arbeitet er das Programm ab das auf der Strom-Steuereinheit oder der APP eingestellt wurde, oder das Programm welches fest hinterlegt ist (wenn keine Einstellmöglichkeiten vorgenommen werden können). Der Poolroboter bewegt sich entlang des Bodens und der Wände des Schwimmbeckens, um möglichst den vollständigen Bodenbereich abzudecken. Wenn der Roboter sein Programm beendet hat, verbleibt er inaktiv am Schwimmbeckenboden stehen.

Hinweis: Das Wandklettern bzw. die Wandreinigung ist eine optionale Funktion. Ist diese Funktion aktiviert, steigt der Roboter in Intervallen die Wand hoch, die durch sein internes Programm festgelegt wurden. Die Fähigkeit des Reinigers im Schwimmbecken über Stufen zu klettern, hängt von der Stufengeometrie und dem Material ab.

Betriebsbedingungen

Der automatische Poolroboter ist ausschließlich für den Einsatz in Schwimmbecken unter folgenden Bedingungen geeignet:

- Temperaturen von 13 °C - 35 °C (55 °F - 95 °F), empfohlene Temperatur zwischen 22 °C - 32 °C (72 °F - 90 °F).
- Wasser pH: 7,2 - 7,6
- Chlorgehalt: das Schwimmbecken wird entsprechend der Herstellerangaben instandgehalten.

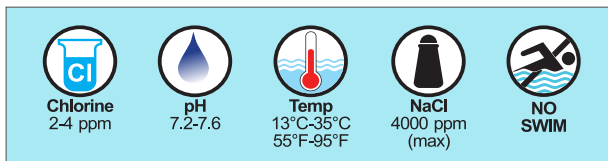
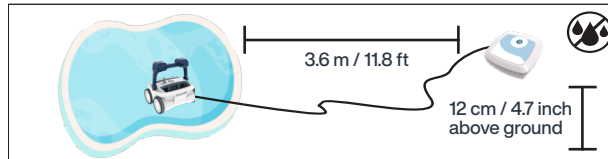
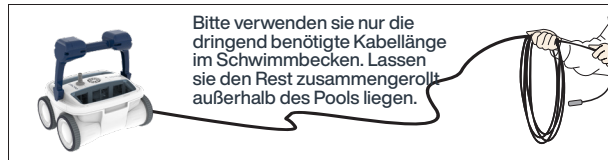
Hinweis: Werden diese empfohlenen Betriebsbedingungen für das Schwimmbecken nicht eingehalten, könnte der automatische Poolroboter nicht richtig funktionieren.

Komponenten



automatischer
Poolroboter

Betrieb



Platzierung der Strom- und Steuereinheit

Platzieren Sie die Strom- und Steuereinheit mindestens 3,6 Meter/11,8 Fuß vom Schwimmbecken und mindestens 12 cm/4 Zoll über der Oberfläche.

VORSICHTSMASSNAHMEN: Die Strom- und Steuereinheit sollte keinem direkten Sonnenlicht oder Wasser ausgesetzt sein

Lösen Sie das Schwimmkabel vom den Plastikbändern, die die Kabel während des Versandes sichern, indem Sie die Plastikschnapper auf den Bändern drücken.

Bevor Sie den Reiniger ins Wasser lassen:

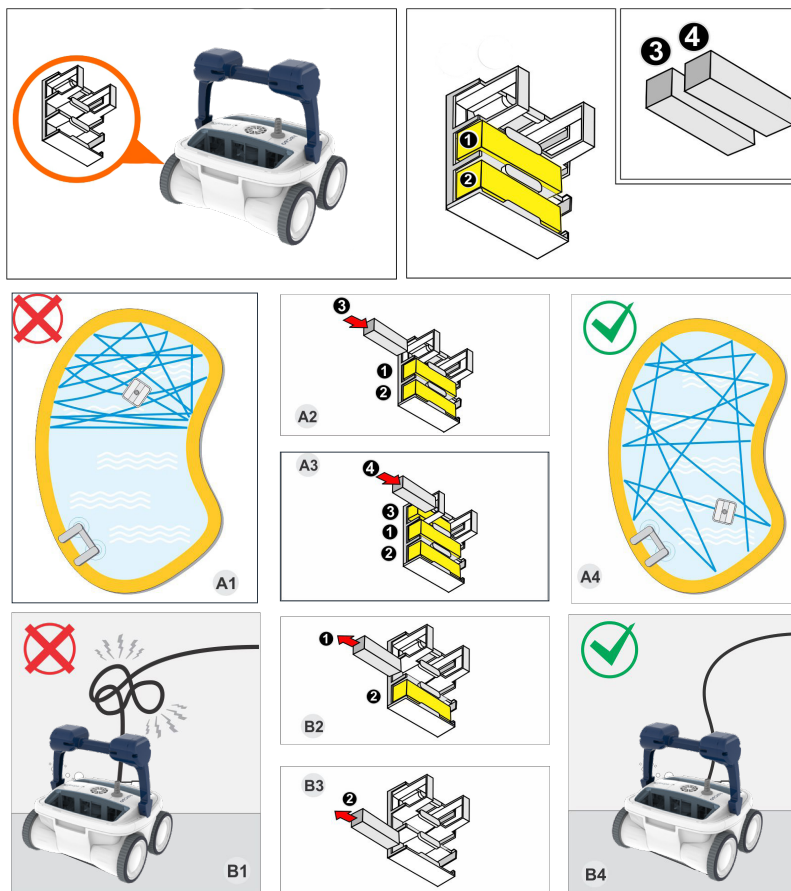
1. Achten Sie darauf, dass sich keine Personen im Schwimmbecken befinden.
2. Achten Sie darauf, dass die Filter sauber sind.
3. Achten Sie auf die Einhaltung der Bedingungen für Schwimmbecken; (siehe "Betriebsbedingungen").

Absetzen des Reinigers ins Wasser

1. Rollen Sie das Schwimmkabel ab. Es wird empfohlen, die Kabellänge zu verlängern, damit sie der Schwimmbeckendiagonale plus 2 Meter entspricht.
2. Einsetzen des Poolroboter ins Wasser. Geben Sie den Roboter ins Wasser und warten Sie bis er von selbst auf den Boden gesunken ist. Bei der Erstinbetriebnahme oder nach längerer Nichtverwendung des Roboters sind die Bürsten ausgetrocknet und müssen sich erst wieder zur Gänze mit Wasser vollsaugen, bevor der Roboter sinkt. Dies dauert ca. 20 Minuten. Sie können diesen Vorgang beschleunigen indem sie die Bürsten Unterwasser kneten.
3. Lassen Sie den Reiniger auf den Grund des Schwimmbeckens sinken. Fangen Sie nicht mit dem Betrieb an, bevor sich der robotische Reiniger auf den Schwimmbeckenboden abgesetzt hat.
4. Verteilen Sie das Schwimmkabel über das Schwimmbecken. Achten Sie darauf, dass nur die erforderliche Kabellänge über das Schwimmbecken verteilt wird. Glätten Sie Windungen oder Verdrehungen im Kabel. Rollen Sie Extrakabel außerhalb des Schwimmbeckens in der Nähe von der Strom- und Steuereinheit auf.
5. Verbinden Sie das Schwimmkabel mit der Anschlussbuchse auf der Strom- und Steuereinheit.

VORSICHTSMASSNAHMEN: Das Betätigen des Roboters außerhalb des Wassers führt sofort zu ernsthaften Schäden und zum Verlust der Garantie.

Float installation
 L'installation de flotteurs
 Auftriebskörper anpassen
 Installazione di flottante
 Instalación de flotador
 Instalação de flutuár



Deutsch

Betrieb

Inbetriebnahme des automatischen Poolroboter

Schließen Sie die Strom- und Steuereinheit an die Steckdose an. Die Betriebs-LED leuchtet auf und der automatische Poolroboter fängt mit seinem Reinigungsprogramm an. Wenn die Strom- und Steuereinheit bereits an die Netzsteckdose angeschlossen ist, blinkt die Betriebs-LED auf, um anzuzeigen, dass der robotische Reiniger im Standby-Modus ist. Drücken Sie die Bedientaste. Die Betriebs-LED leuchtet auf und der automatische Poolroboter fängt mit seinem Reinigungsprogramm an."

Hinweis: Wenn die LED ""Filter überprüfen"" aufleuchtet, müssen die Filter des automatischen Poolroboter automatisch Poolroboter gereinigt werden, bevor Sie den Roboter ins Wasser lassen. Die LED ""Filter überprüfen"" ist optional und steht bei einigen Modellen nicht zur Verfügung.

Reinigungszyklus

Während des Reinigungszyklus sollte der Poolroboter:

- Über den Schwimmbeckenboden laufen, um Schmutz und Verunreinigungen aufzusammeln.
- Automatisch gemäß dem ausgewählten Programm lenken und drehen.
- Schwimmbeckenwände alle paar Minuten hochklettern, wie in seinem internen Programm fest hinterlegt.

Hinweis: der Poolroboter hört gelegentlich für ein paar Sekunden auf sich zu bewegen. Dies ist Teil des Normalbetriebes und somit keine Fehlfunktion.

Den Betrieb des automatischen Poolroboter anhalten

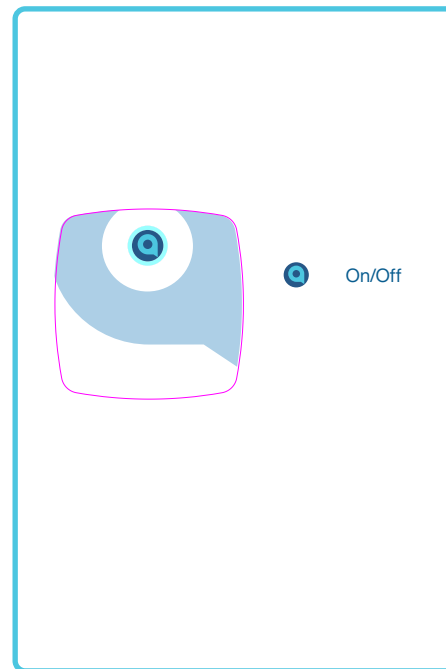
Der Poolroboter geht automatisch nach jedem Reinigungszyklus in STANDBY und die Betriebs-LED blinkt auf. Um den Reinigerbetrieb während eines Reinigungszyklus anzuhalten, drücken Sie die Bedienungstaste einmal. Die Betriebs-LED blinkt auf und der Reiniger ist im Standby-Modus.

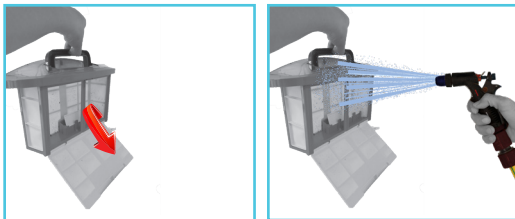
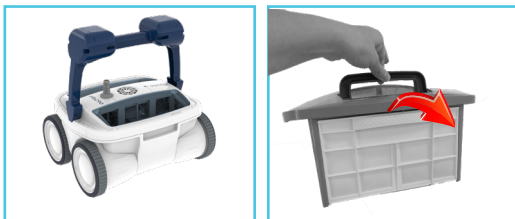
Den Reiniger aus dem Wasser ziehen

1. Trennen Sie das Schwimmkabel von der Strom- und Steuereinheit.
2. Ziehen Sie am Schwimmkabel den Reiniger näher heran, bis man den Griff fassen kann.
3. Heben sie den Roboter nur am Griff aus dem Schwimmbecken.

Vorsichtsmaßnahmen: Verwenden Sie nicht das Schwimmkabel, um den Reiniger aus dem Wasser zu heben. Dies könnte zu Schäden am Kabel führen.

Power Supply





Reinigung der Filter

Die zwei Filter müssen nach jedem Reinigungszyklus gereinigt werden.

1. Lösen Sie den Filter und ziehen Sie ihn aus dem Reiniger.
2. Ziehen Sie die Filtertür (2) gegen das Filtergehäuse (2), um den Filterkasten zu öffnen.
3. Sprühen Sie Wasser auf den Außenseiten (1) und danach auf die Innenseite (3) des Filters, um sämtlichen Schmutz und Verunreinigungen zu entfernen.
4. Prüfen Sie, ob der kleine Plastikverschluss (2) an der richtigen Stelle und nicht beschädigt ist.
5. Schließen Sie den Filter.
6. Setzen sie den Filter zurück in seine Position, und fixieren sie diesen mit dem Bügel indem sie den Bügel einrasten lassen.
7. Wiederholen Sie den Reinigungsvorgang für den zweiten Filter.

Lagerung des robotischen Reinigers

Befolgen Sie diese Anweisungen, um den robotischen Reiniger bei Nichtverwendung zu lagern:

1. Ziehen Sie das Netzkabel aus der Steckdose.
2. Trennen Sie das Schwimmkabel von der Strom- und Steuereinheit.
3. Verteilen Sie das Schwimmkabel und lösen Sie sämtliche Verdrehungen im Kabel.
4. Waschen Sie den Innenraum des Reinigers mit frischem Wasser und lassen Sie ihn trocknen.
5. Rollen Sie das Schwimmkabel auf und legen Sie es auf den Reiniger. Vorsichtsmaßnahmen: Rollen Sie das Schwimmkabel nicht auf dem Griff des Reinigers auf.
6. Lagern Sie die Reiniger-Komponenten in einem trockenen, frostsicheren geschlossenen Ort.
7. Überprüfen Sie, dass die Strom- und Steuereinheit keinem Wasser ausgesetzt ist.

Reinigung des Saugmotor/Propeller

Es wird empfohlen den Schmutz und die Haare von dem Propeller des Wasserauslauf gelegentlich zu reinigen.

Trennen sie hierfür den Roboter von der Strom- Steuereinheit und gehen sie wie folgt vor:

1. Entfernen sie die Filter
2. Entfernen sie die Schraube der Wasserauslaufabdeckung (Gitter an der Geräteoberseite, bei welchen das gereinigte Wasser austritt)
3. Entfernen Sie den Wasserablaufabdeckung
4. Entfernen sie nun die dort angesammelte Verschmutzung wie etwa Haare.
5. Stellen sie sicher, dass der Propeller nicht gebrochen oder Beschädigt ist
6. Setzen Sie die Wasserauslaufabdeckung zurück und befestigen diese wieder mit der Schraube.
7. Setzen Sie die Filter wieder ein.

Fehlerbeseitigung

DER ROBOTER LÄSST SICH NICHT EINSCHALTEN

Kein Strom an der Steckdose: Trennen sie den Roboter von der Steuerungseinheit. Trennen sie die Steuerungseinheit von der Steckdose/Stromzufuhr. Warten Sie 30 Sekunden und verbinden Sie wieder alles. Schalten Sie die Stromversorgung ein. Falls die Steuerungseinheit nicht aktiviert werden kann, verbinden Sie das Gerät mit einer andere Wandsteckdose.

Fremdkörper blockiert das Antriebssystem: Drehen sie den Roboter vorsichtig auf den Kopf, damit sie die Unterseite des Roboters sehen. Überprüfen sie die Bürsten auf Beschädigung bzw. auf Fremdkörper welche zwischen den Bürsten und dem Robotergehäuse stecken könnten. Entfernen sie diese gegebenenfalls.

Der Propeller ist verstopft: Überprüfen sie ob der Propeller gebrochen oder verstopft ist. Reinigen sie ihn wie im Punkt "Wartung" angeführt.

ROBOTER FÄHRT, SAUGT ABER NICHT

Die Filter sind verstopft: Entnehmen sie die Filter. Lassen sie den Roboter einen Zyklus ohne Filter in ihrem Pool fahren. Wenn er richtig funktioniert, reinigen sie die Filter gründlich oder tauschen die diese aus.

Der Propeller ist gebrochen oder verstopft: Überprüfen sie ob der Propeller gebrochen oder verstopft ist. Reinigen sie ihn wie im Punkt "Wartung" angeführt.

ROBOTER PUMPT WASSER, BEWEGT SICH ABER NICHT

Hindernis im Antriebssystem der Reinigungseinheit: Drehen Sie die Reinigungseinheit vorsichtig, um die Unterseite zu betrachten. Prüfen Sie, dass die Bürste nicht verbogen/gebrochen ist. Reinigen und entfernen Sie Fremdkörper und Ablagerungen, falls erforderlich.

ROBOTER SCHALTET SICH KURZ NACH DEM START WIEDER AB

Die Filter sind verstopft: Entnehmen sie die Filter. Lassen sie den Roboter einen Zyklus ohne Filter in ihrem Pool fahren. Wenn er richtig funktioniert, reinigen sie die

Filter gründlich oder tauschen die diese aus.

Der Propeller ist gebrochen oder verstopft: Überprüfen sie ob der Propeller gebrochen oder verstopft ist. Reinigen sie ihn wie im Punkt "Wartung" angeführt.

Fremdkörper blockiert das Antriebssystem: Drehen sie den Roboter vorsichtig auf den Kopf, damit sie die Unterseite des Roboters sehen. Überprüfen sie die Bürsten auf Beschädigung bzw. auf Fremdkörper welche zwischen den Bürsten und dem Robotergehäuse stecken könnten. Entfernen sie diese gegebenenfalls.

ROBOTER NIMMT KEINEN SCHMUTZ AUF

Die Filter sind verschmutzt oder sind beschädigt bzw. haben Löcher.

Der Propeller ist gebrochen oder verstopft. Überprüfen sie ob der Propeller gebrochen oder verstopft ist. Reinigen sie ihn wie im Punkt "Wartung" angeführt.

Der Saugeinlaß ist nicht nahe genug am Poolboden. Stellen sie beide Saugeinläße etwas näher zum Boden, durch vorsichtiges drehen der dafür vorgesehenen Justierschraube am Boden des Roboters.

ROBOTER REINIGT NICHT DAS GESAMTE SCHWIMMBECKEN.

Reinigen Sie die Filter: Stellen Sie sicher, dass ausreichend Kabel im Wasser ist. Stellen Sie sicher, dass das Schwimmkabel ordnungsgemäß ausgebreitet und nicht verheddert ist. Verstellen sie die Position des Handgriffes in eine Diagonale Stellung (optional möglich) damit sich der Roboter an der Wand bestmöglich versetzen kann.

Erhöhen sie die Reinigungsdauer auf das Maximum (optional an der Steuerungseinheit oder per App möglich).

Der Propeller ist gebrochen oder verstopft: Überprüfen sie ob der Propeller gebrochen oder verstopft ist. Reinigen sie ihn wie im Punkt "Wartung" angeführt.

DER ROBOTER KLETTERT NICHT DIE WÄNDE HOCH

Vergewissern sie sich das ihr Roboter kein reines Boden-Modell ist, sondern auch ein Wandreiniigungsmodell. Vergewissern sie sich das ihr Roboter nicht auf "nur Boden" (optional an der Steuerungseinheit oder App einstellbar) eingestellt ist. Vergewissern sie sich das die Filter sauber sind. Vergewissern sie sich das der Propeller nicht gebrochen oder verschmutzt ist.



WARNUNG

Die Steckdose der Stromzufuhr muss durch einen Fehlstromschutzschalter FI-Schutzschalter (GFCI, RCD) oder einen Fehlstromschutzschalter (ELI) 30mA abgesichert sein, und mit den örtlichen und nationalen Verdrahtungsvorschriften (Sicherheitsstandard für Elektroinstallationen) übereinstimmen.

Das Betreten des Pools ist während dem Betrieb des Roboters untersagt.

Es dürfen nur Originalteile, geliefert von Aquatron Robotic Technology, verbaut werden.

Außerhalb der Reichweite von Kindern aufbewahren.

GARANTIEBESTIMMUNGEN

2 JAHRE GARANTIEBESTIMMUNGEN

Dieser automatische Schwimmbeckenreiniger wurde den aktuellsten technischen Anforderungen entsprechend hergestellt und sorgfältig getestet und geprüft. BWT garantiert unter den unten aufgeführten Bedingungen und Einschränkungen, dass Ihr automatischer Schwimmbeckenreiniger bei normaler Benutzung und Wartung keine Herstellungs- oder Materialfehler aufweist. Die Herstellergarantie gilt nur gegenüber privaten Endverbrauchern und nicht gegenüber Händlern (Unternehmen).

GARANTIEDAUER: 2 Jahre für die Hauptbestandteile der Antriebsmotoren, Pumpmotoren, die elektrischen Kabel und das Stromversorgungsgerät (Transformator). Nach Ablauf der Garantiezeit trägt BWT in Bezug auf diese begrenzte Garantie keine weiteren Verpflichtungen mehr. **BESTANDTEILE, DIE NICHT VON DER**

GARANTIE GEDECKT SIND: Der Filterbeutel, die Antriebsriemen, die Kunststoffteile, die Antriebsführung und die Bürsten müssen bei gewöhnlicher Benutzung aufgrund normaler Abnutzung ausgewechselt werden. Deshalb sind sie mit dieser Garantie nicht eingedeckt.

WARTUNG: Dieses Gerät muss gemäß den beiliegenden Betriebsanleitungen gewartet werden. Wird dies unterlassen, wird die Garantie ungültig sein.

FALSCHER BENUTZUNG: Diese Garantie ist NUR bei normaler Benutzung für Heimschwimmbecken gültig. Jeglicher Schaden, Defekt oder Funktionsstörung infolge einer Benutzung, die nicht gemäß den BETRIEBSANLEITUNGEN erfolgte oder durch höhere Gewalt, Vernachlässigung, Missbrauch oder Zweckentfremdung sind von der Garantie ausgeschlossen. Schäden oder Funktionsstörungen infolge einer Reparatur durch jemanden, der nicht von BWT Inc. zu Wartungsarbeiten autorisiert ist, sind nicht gedeckt.

INKRAFTTRETEN DER GARANTIE: Die Herstellergarantie wird erst mit Rücksendung der Registrierkarte mit einer Kopie des Original-Kaufbeleges (Quittung) wirksam. Die Anschrift für die Rücksendung der Garantiekarte erhalten Sie vom Verkäufer. DIE GARANTIEVERBINDLICHKEIT VON BWT ist begrenzt auf die Reparatur des Produkts oder das Ersetzen von Teilen durch neue oder ausgebesserte Teile und ist unter keinen Umständen oder in keiner Weise für Folgeschäden, beiläufige Schäden; Verletzungen von Personen oder die Beschädigung von Eigentum in Zusammenhang mit der Benutzung des Produkts, für Gewinnausfall oder für anderen Kosten und Auslagen jeglicher Art haftpflichtig oder verantwortlich. Es besteht keine Zusicherung allgemeiner Gebrauchstauglichkeit oder Eignung für bestimmte Zwecke außer denen, die BWT hierin ausdrücklich oder indirekt festgelegt hat und keine Person, Firma oder Gesellschaft ist autorisiert, im Namen von BWT Repräsentationen zu machen oder Verpflichtungen einzugehen, außer wie es hierin festgelegt ist.

UM EINE GARANTIELEISTUNG ZU ERHALTEN, rufen Sie zuerst den Vertreter an. Nachdem Sie vom Vertreter eine RMA-Genehmigung zur Warenrücksendung (Return Merchandise Authorization) erhalten haben, schicken Sie den Roboter, angemessen verpackt und mit vorbezahlten Versandkosten an die angegebene Adresse zurück. Legen Sie eine Kopie der Quittung bei, einschließlich dem Kaufdatum, der Seriennummer und einer Beschreibung des Problems.

BITTE BEWAHREN SIE DIE VERPACKUNG DES ROBOTERS AUF, UM NÖTIGENFALLS DIE RÜCKSENDUNG ZU ERLEICHTERN.

Informazioni generali

Descrizione generale del prodotto

Il robot per la pulizia è in grado di pulire il fondale e le pareti della piscina raccogliendo sporcizia e detriti nei suoi filtri interni. Questo manuale illustra il funzionamento del prodotto e le procedure per la pulizia, la manutenzione e la conservazione.

Nota:

Questo manuale riguarda alcuni modelli di robot per la pulizia: alcune parti possono quindi essere differenti.

Funzionamento del robot

Una volta definito il programma di pulizia tramite l'unità di alimentazione e controllo, introdurre il robot all'interno della piscina.

Dopo aver completato il ciclo di pulizia su fondale e pareti, il robot si disattiva sul fondale della piscina.

Nota:

La pulizia delle pareti è facoltativa ed il programma e gli intervalli vanno attivati. La capacità del robot di salire le scale della piscina è subordinata alla forma ed al materiale di cui esse sono composte.

Condizioni operative

Per garantire il funzionamento del robot, le piscine devono rispettare le seguenti condizioni operative:

- Temperatura variabile fra 13°C e 35°C: la temperatura raccomandabile è tra 22°C e 32°C
- pH dell'acqua tra 7,2 e 7,6
- Il contenuto di cloro è conforme a quanto suggerito dal costruttore.

Nota:

Il caso di mancato rispetto delle condizioni sopra riportate, non si garantisce il corretto funzionamento dell'apparecchio. Quando si esegue il trattamento chimico intensivo rimuovere il robot dalla piscina.

Componenti

Alimentazione elettrica

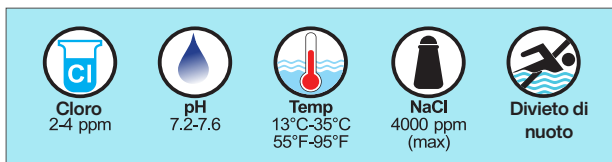
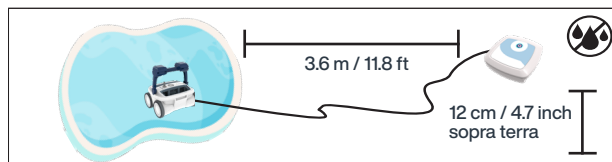
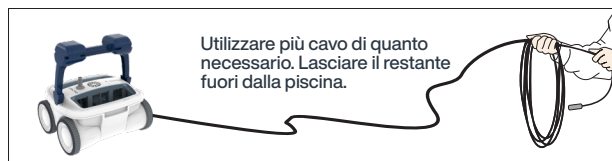


Cavo di alimentazione



Robot

Funzionamento



Posizionamento dell'unità di alimentazione e controllo

Posizionare l'unità di potenza e controllo ad almeno 3,6 metri/11,8 piedi dalla piscina e sollevata di almeno 12 cm/4 pollici dalla superficie.

AVVERTENZA: L'unità di potenza e controllo non deve essere esposta all'acqua o ai raggi solari.

Sganciare i lacci usati per fissare il cavo galleggiante durante il trasporto, premendo l'apposito tasto.

Prima di posizionare il robot nell'acqua

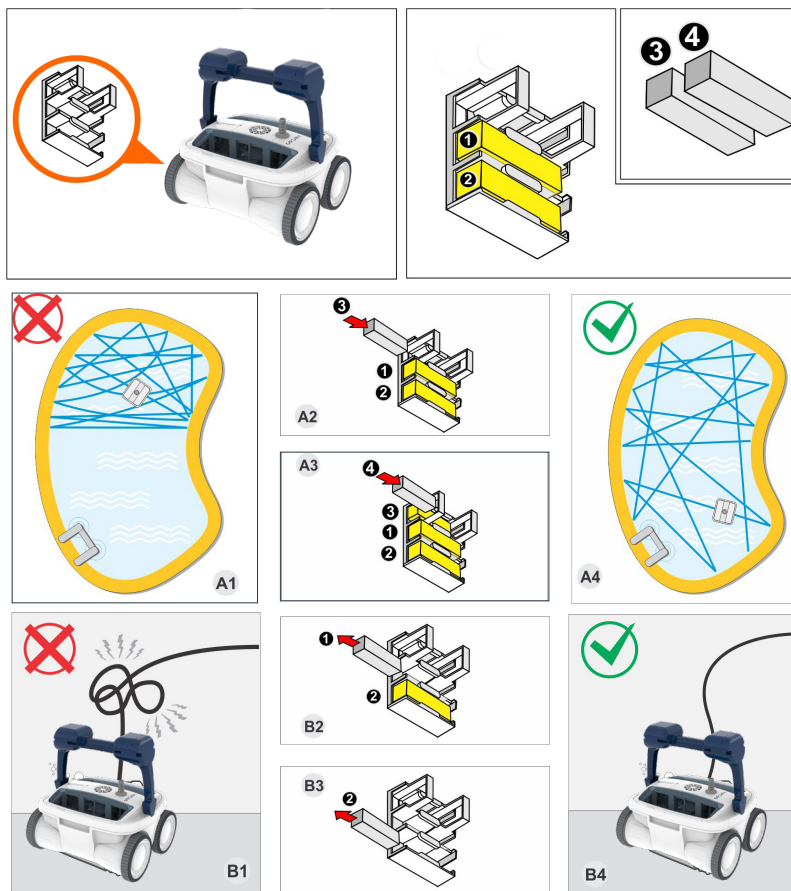
1. Assicurarsi che non vi siano bagnanti in piscina.
2. Accertarsi che i filtri siano puliti.
3. Assicurarsi che siano soddisfatte le condizioni operative sopra riportate.

Posizionamento del robot in piscina

1. Srotolare il cavo galleggiante. Si raccomanda di srotolarlo per la lunghezza della diagonale della piscina, più 2 metri.
2. Introdurre il robot in piscina.
3. Lasciare che affondi fino ad appoggiarsi sul fondale. Non attivare il robot prima che si sia adattato sul fondale della piscina.
4. Srotolare il cavo galleggiante di traverso in piscina: assicurarsi di srotolare solo la lunghezza di cavo raccomandata. Dipanare spirali o trecce del cavo.
5. Avvolgere il cavo in eccesso al di fuori della piscina, vicino all'unità di potenza e controllo.
6. Collegare il cavo galleggiante (A) alla presa (B) dell'unità di alimentazione e controllo.

AVVERTENZE: In caso di azionamento fuori dall'acqua, il robot può subire danni. In tal caso, la garanzia non è valida.

Float installation
 L'installation de flotteurs
 Auftriebskörper anpassen
 Installazione di flottante
 Instalación de flotador
 Instalação de flutuador



Funzionamento

Avvio del robot

1. Una volta collegati l'unità di alimentazione e controllo alla presa elettrica, il LED di funzionamento (4) si accende ed il robot inizia il suo programma di pulizia. Se l'unità è già collegata alla presa, il LED di funzionamento (5) lampeggia per indicare che il robot è in modalità d'attesa. Premere il pulsante di funzionamento (6). Il LED di funzionamento è acceso ed il robot inizia il suo programma di pulizia.

Nota: Quando si accende il LED di controllo del filtro, è necessario ripulire il filtro prima di introdurre il robot in piscina. Il LED di controllo del filtro è un optional in alcuni modelli.

Ciclo di pulizia

Durante il ciclo di pulizia il robot:

- Si sposta sul fondale della piscina raccogliendo sporcizia e detriti
- Cambia direzione e si gira automaticamente secondo il programma selezionato
- Si arrampica sulle pareti della piscina a intervalli di qualche minuto, come previsto dal programma.

Nota:

Il robot può occasionalmente fermarsi per alcuni secondi: questo è previsto nel normale funzionamento, e non si tratta di un malfunzionamento.

Arresto del robot

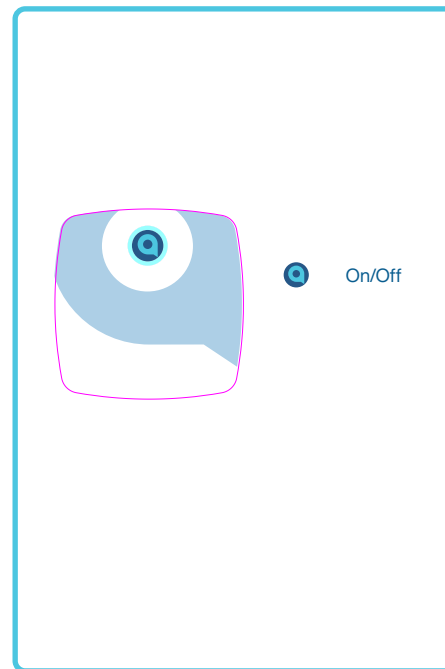
Il robot si sposta automaticamente sulla posizione STANDBY al termine di ogni ciclo di pulizia ed il LED di funzionamento (5) inizia a lampeggiare. Per arrestare il robot durante un ciclo di pulizia, premere una volta il pulsante di funzionamento (7). Il LED di funzionamento (7) inizia a lampeggiare ed il robot si ferma in modalità d'attesa.

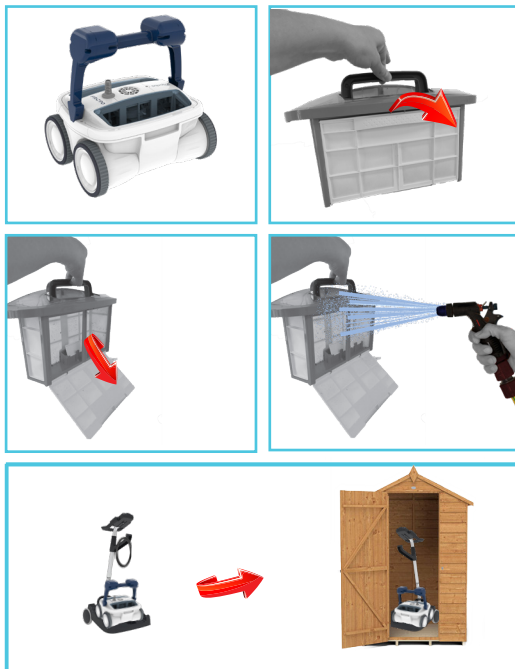
Estrazione del robot dall'acqua

1. Disconnettere il cavo galleggiante dall'unità di alimentazione e controllo.
2. Tirare il cavo galleggiante per avvicinare il più possibile il robot, per poterlo afferrare con la maniglia.
3. Servendosi della maniglia, estrarre il robot dalla piscina.

Attenzione: Non usare il cavo galleggiante per estrarre il robot dall'acqua.

Power Supply





Pulizia dei filtri

I due filtri devono essere puliti dopo ogni ciclo di pulizia.

- (1) Rilasciare il filtro ed estrarlo dall'unità di pulizia.
- (2) Aprire il contenitore del filtro.
- (3) Spruzzare acqua sui lati esterni del filtro e poi spruzzare acqua verso il lato interno del filtro per pulire tutto lo sporco e i detriti.
- (4) Reinserrire nuovamente il filtro nella sua posizione fino a quando non si sente un clic per fissare il filtro in posizione.

Conservazione del robot

Seguire le seguenti istruzioni per immagazzinare il robot quando non è in uso:

1. Disconnettere il cavo d'alimentazione.
2. Disconnettere il cavo galleggiante dall'unità di alimentazione e controllo.
3. Stendere il cavo galleggiante e rimuovere eventuali grovigli.
4. Sciacquare le parti interne dell'unità di pulizia con acqua corrente e lasciare asciugare.
5. Avvolgere il cavo galleggiante e appoggiarlo sull'unità di pulizia.

Attenzione: Non avvolgere il cavo galleggiante sulla maniglia dell'unità di pulizia.

6. Conservare i componenti del robot in luogo asciutto e chiuso.
7. Verificare che l'unità di alimentazione e controllo non sia esposta all'acqua.

Controllo dell'elica di uscita dell'acqua

Si raccomanda di pulire periodicamente i detriti e i capelli dall'elica dell'uscita dell'acqua:

- (1) Rimuovere i filtri
- (2) Rimuovere le viti che tengono il coperchio di uscita dell'acqua.
- (3) Rimuovere l'uscita dell'acqua copertina
- (4) Pulire eventuali peli, sporizia o detriti
- (5) Rimettere il coperchio e fissarlo con le viti
- (6) Reinserrire i filtri

Ricerca dei guasti

IL DISPOSITIVO NON SI ACCENDE

Non c'è elettricità nella presa a muro: (1) Scollegare il pulitore dalla corrente e dall'unità di controllo. (2) Scollegare l'alimentazione elettrica dalla presa a muro, attendere 30 secondi e ricollegarla. (3) Accendere l'alimentazione. Se non attivata, collegare l'unità ad un'altra presa a muro.

Ostacolo nel sistema di azionamento del robot:

(1) Girare l'unità con attenzione per vedere il lato inferiore. (2) Controllare che la spazzola per pulire non sia piegata/rotta. (3) Pulire e rimuovere eventuali detriti.

L'elica grippa a causa dell'accumulo di capelli:

Controllare se l'elica è rotta o deve essere pulita (vedi "Controllo dell'elica di uscita dell'acqua")

IL ROBOT SI MUOVE MA NON POMPACQUA

I filtri sono sporchi: (1) Rimuovere i filtri (2) Far funzionare il robot pulitore nella piscina senza i filtri. Se funziona correttamente, pulire bene i filtri o sostituire i filtri

L'elica grippa a causa dell'accumulo di capelli:

Controllare se l'elica è rotta o deve essere pulita (vedi "Controllo dell'elica di uscita dell'acqua")

IL ROBOT POMPACQUA MA NON SI MUOVE

Ostacolo nel sistema di azionamento del robot:

(1) Girare l'unità con attenzione per vedere il lato inferiore. (2) Controllare che la spazzola per pulire non sia piegata/rotta. (3) Pulire e rimuovere eventuali detriti.

IL ROBOT SI ACCENDE E SPERGE DOPO POCO

I filtri sono sporchi: (1) Rimuovere i filtri (2) Far funzionare il robot pulitore nella piscina senza i filtri. Se funziona correttamente, pulire bene i filtri o sostituire i filtri.

L'elica grippa a causa dell'accumulo di capelli: (1)

Rimuovere le viti sull'uscita superiore. (2) Verificare se l'elica è rotta o deve essere pulita.

Ostacolo nel sistema di azionamento del robot:

(1) Girare l'unità con attenzione per vedere il lato inferiore. (2) Controllare che la spazzola per pulire non sia piegata/rotta. (3) Pulire e rimuovere eventuali detriti.

IL ROBOT NON RACCOGLIE I DETRITI

I filtri sono sporchi o hanno dei fori.

Pulire secondo necessità e verificare che non vi siano fori nei filtri.

L'elica è rotta o grippa a causa dell'accumulo di capelli.

Controllare se l'elica è rotta o deve essere pulita (vedere "Controllo dell'elica di uscita dell'acqua"). L'ingresso di aspirazione non è abbastanza vicino al pavimento della piscina (vedere "Regolazione dell'altezza di aspirazione").

IL ROBOT NON PULISCE L'INTERA PISCINA

Pulire i filtri-

1. Verificare che la lunghezza del cavo in acqua sia sufficiente per raggiungere l'estremità della piscina.
2. Assicurarsi che il cavo galleggiante sia correttamente sparpagliato e non aggrovigliato.

L'elica grippa a causa dell'accumulo di capelli: (1)

Rimuovere le viti sull'uscita superiore.
(2) Verificare se l'elica è rotta o deve essere pulita.

IL ROBOT NON SALE SULLE PARETI

(1) Verificare che il robot pulitore non sia un solo per

fondali. (2) Verificare di avere selezionato correttamente il programma (vedere "Robotica Programmazione più pulita" nel manuale del bluetooth). (3) Assicurarsi che i filtri siano puliti (4) Assicurarsi che l'elica non sia rotta o intasata da detriti/capelli.



Pericolo

Non rimanere nella piscina e rimuovere tutti gli oggetti dalla piscina prima di utilizzare il robot.

Non lasciare il robot all'interno della piscina se non viene utilizzato.

L'alimentazione deve essere collegata attraverso un interruttore di corrente di terra (GFCI USA) o un dispositivo di corrente residua (RCD Europe) non superiore a 30 mA.

Il collegamento all'alimentazione deve rispettare le regole di cablaggio locali e nazionali.

Tutte le parti devono essere sostituite con parti originali fornite da Aquatron Robotic Technology.

Tenere fuori dalla portata dei bambini.

GARANZIA

POLIZZA DI GARANZIA PER 2 ANNI

In applicazione delle condizioni del Decreto Legislativo Reale 1/2007 del 16 Novembre, che approvava il Testo Revisionato dell'Atto di Protezione dei Clienti Utenti, BWT offre ai clienti la garanzia di 2 anni per i propri prodotti a partire dalla data in cui sono consegnati da parte del distributore, secondo i termini e le condizioni descritti nella garanzia e con riserva delle condizioni del Decreto Reale. Questa garanzia sarà valida soggetta alle limitazioni legali in vigore in ciascun paese nel quale è applicata, in accordo con le direttive che regolano la richiesta di garanzia. La garanzia legale copre tutti i gli elementi ed accessori che compongono il prodotto, fra i quali gli alimentatori, le pompe, i motori, i fili elettrici, le spazzole, le cinghie, i manici, le ruote, i sacchetti, i telecomandi e gli altri prodotti componenti.

Condizioni di garanzia:

I prodotti possono essere coperti dalla garanzia legale e dalla sua estensione fintanto che il problema è riportato dal cliente entro due mesi dal quando ne è venuto a conoscenza. Per l'applicazione della garanzia, il cliente deve contattare:

- i. il contatto del Servizio Autorizzato di Assistenza Tecnica che figura sull'elenco allegato, che fornirà le istruzioni sulla procedura da seguire, o
- ii. il fornitore presso il quale il prodotto è stato acquistato, che fornirà le informazioni necessarie.

Il Servizio Autorizzato di Assistenza Tecnica

BWT raccomanda (ma non esige) che la manutenzione e le riparazioni siano eseguite da un Servizio Autorizzato di Assistenza Tecnica della BWT. Se il prodotto viene assemblato, disassemblato, maneggiato e/o riparato da chiunque non sia un Fornitore Autorizzato di Assistenza Tecnica, la garanzia legale o la sua estensione NON saranno applicabili. La garanzia NON sarà lesa in caso di riparazioni fai-da-te DIY come sono indicate e raccomandate nel Manuale per l'uso. Questa garanzia copre la riparazione o la restituzione e sostituzione del prodotto, come disposto dalla legge. Tutte le riparazioni coperte dalla garanzia devono essere eseguite da un Servizio di Assistenza Tecnica Autorizzato da BWT. Gli agenti, rappresentanti o distributori, NON HANNO l'autorità di aumentare o alterare le obbligazioni della garanzia in nome e per conto di BWT.

Esclusioni:

In nessun caso saranno applicabili la garanzia legale o la sua estensione fornita dalla BWT se il difetto o la malfunzione del prodotto sono dovute a:

- i. Modifiche non autorizzate del prodotto;
- ii. Cattivo uso, uso illecito o negligenza;
- iii. Danni causati da forza maggiore o eventi fortuiti;
- iv. Uso di acqua salata, con tasso salino superiore a 5.000 ppm (0,5%)
- v. L'assenza della manutenzione preventiva indicata nel Manuale per l'uso;
- vi. L'uso del prodotto in un luogo diverso da una piscina privata, residenziale.

Inoltre BWT non sarà responsabile in alcun caso e non saranno applicabili né la garanzia legale né la sua estensione per alcuno dei danni occorsi a una piscina, inclusi gli intonaci ed i rivestimenti vinilici, a causa dell'uso e/o del funzionamento del robot per la pulizia delle piscine della BWT.

aquabot

 **BWT** GROUP



BK0019379/PA