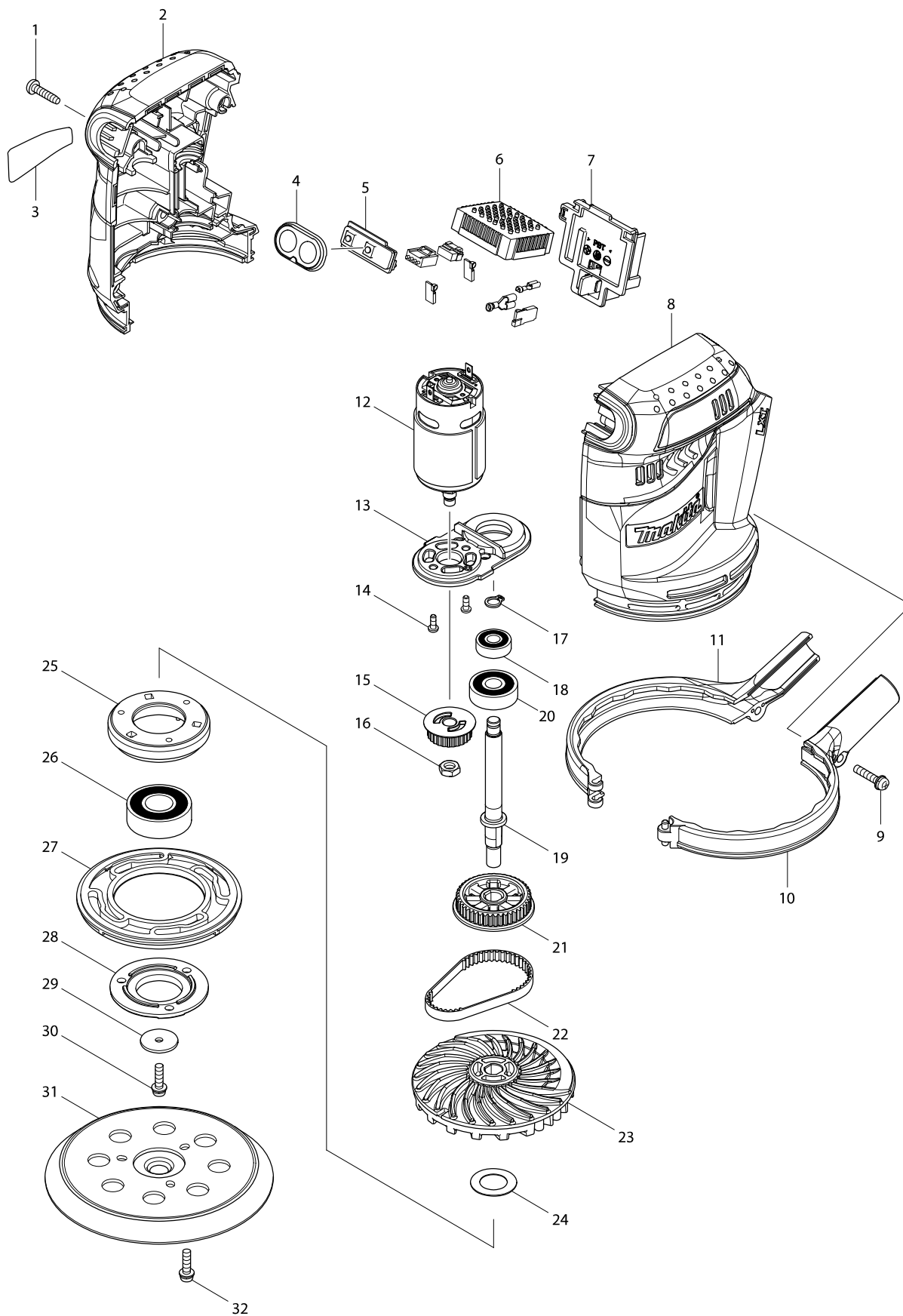


Numéro du modèle DBO180 PONCEUSE EXCENTR D=125mm



| Position | Référence pièce | Description | Echelle | QTE | N/O | Option 1 | Option 2 | COMMENTAIRE |
|----------|-----------------|--------------------------------|---------|-----|-----|----------|----------|-------------|
| 001 | 265995-6 | VIS 4X18 | | 5 | | P1 | | |
| 002 | 187423-0 | HOUSING SET | | 1 | | P19 | | |
| C10 | 263005-3 | CHEVILLE CAOUTCHOUC 6 | | 2 | | P2 | | |
| D10 | | INC. 8 | | | | | | |
| 003 | 815F52-2 | DBO180 NAME PLATE | | 1 | | | | |
| 004 | 141419-5 | SWITCH PLATE COMPLETE | | 1 | | P5 | | |
| 005 | 620115-3 | SWITCH UNIT | | 1 | | P17 | | |
| 006 | 638982-2 | CONTROLLER UNIT | | 1 | | P26 | | |
| C10 | 688172-7 | PASSE-FIL | | 1 | | P1 | | |
| 007 | 644808-8 | SUPPORT | | 1 | | P5 | | |
| 008 | 187423-0 | HOUSING SET | | 1 | | P19 | | |
| C10 | 263005-3 | CHEVILLE CAOUTCHOUC 6 | | 2 | | P2 | | |
| D10 | | INC. 2 | | | | | | |
| 009 | 911138-5 | VIS TETE RONDE M4X20 | | 1 | | P1 | | |
| 010 | 187360-8 | SKIRT SET | | 1 | | P7 | | |
| D10 | | INC. 11 | | | | | | |
| 011 | 187360-8 | SKIRT SET | | 1 | | P7 | | |
| D10 | | INC. 10 | | | | | | |
| 012 | 629952-2 | DC MOTOR | | 1 | | P20 | | |
| 013 | 453632-6 | MOTOR BRACKET | | 1 | | P3 | | |
| 014 | 265199-0 | VIS M3X8 | | 2 | | P1 | | |
| 015 | 222175-7 | PULLEY 7.5-24.1 | | 1 | | P64 | | |
| 016 | 931303-0 | ECROU M6-3.5 | | 1 | | | | |
| 017 | 961003-8 | CIRCLIP MOD S EXT 7 | | 1 | | P2 | | |
| 018 | 210062-2 | ROULEMENT A BILLE 607ZZ | | 1 | | P2 | | |
| 019 | 326168-7 | SPINDLE | | 1 | | P8 | | |
| 020 | 211092-6 | ROULEMENT A BILLES 629DDW | | 1 | | P20 | | |
| 021 | 222176-5 | PULLEY 7.5-40.3 | | 1 | | P18 | | |
| 022 | 225095-4 | SYNCHRO BELT 6-174 | | 1 | | P8 | | |
| 023 | 240136-5 | FAN 88 | | 1 | | P11 | | |
| 024 | 267164-5 | RONDELLE PLATE 15 | | 1 | | P2 | | |
| 025 | 318304-9 | PALIER DE ROULEMENT | | 1 | | P4 | | |
| 026 | 211228-7 | ROULEMENT A BILLES 6202DDW | | 1 | | P19 | | |
| 027 | 424131-5 | RONDELLE DE FREIN | | 1 | | P7 | | |
| 028 | 318303-1 | COUVERCLE | | 1 | | P2 | | |
| 029 | 253739-6 | DISQUE 4 | | 1 | | P4 | | |
| 030 | 911128-8 | VIS TETE RONDE M4X16 | | 1 | | P1 | | |
| 031 | 743081-8 | PLATEAU CAOUTCH 123mm | | 1 | | A28 | | |
| 032 | 911128-8 | VIS TETE RONDE M4X16 | | 3 | | P1 | | |
| A01 | 135246-0 | PORTE SAC EN PAPIER | | 1 | | P11 | | |
| D10 | | INC. A02-A05 | | | | | | |
| A02 | 450770-5 | BOITE POUSSIERE | | 1 | | A5 | | |
| A03 | 450769-0 | COUDE D'ASPIRATION | | 1 | | A2 | | |
| A04 | 424144-6 | BAGUE CAOUTCHOUC | | 1 | | A3 | | |
| A05 | 232246-2 | RESSORT | | 2 | | A1 | | |
| A06 | 194746-9 | SAC PAPIER BO4555/65/5030/5031 | | 1 | | A13 | | |
| A07 | 794544-7 | DISQUE ABRASIF 125 D120 | | 1 | | A19 | | |
| A08F | ***DC18RC | DC18RC FAST CHARGER | | 1 | | | | |

