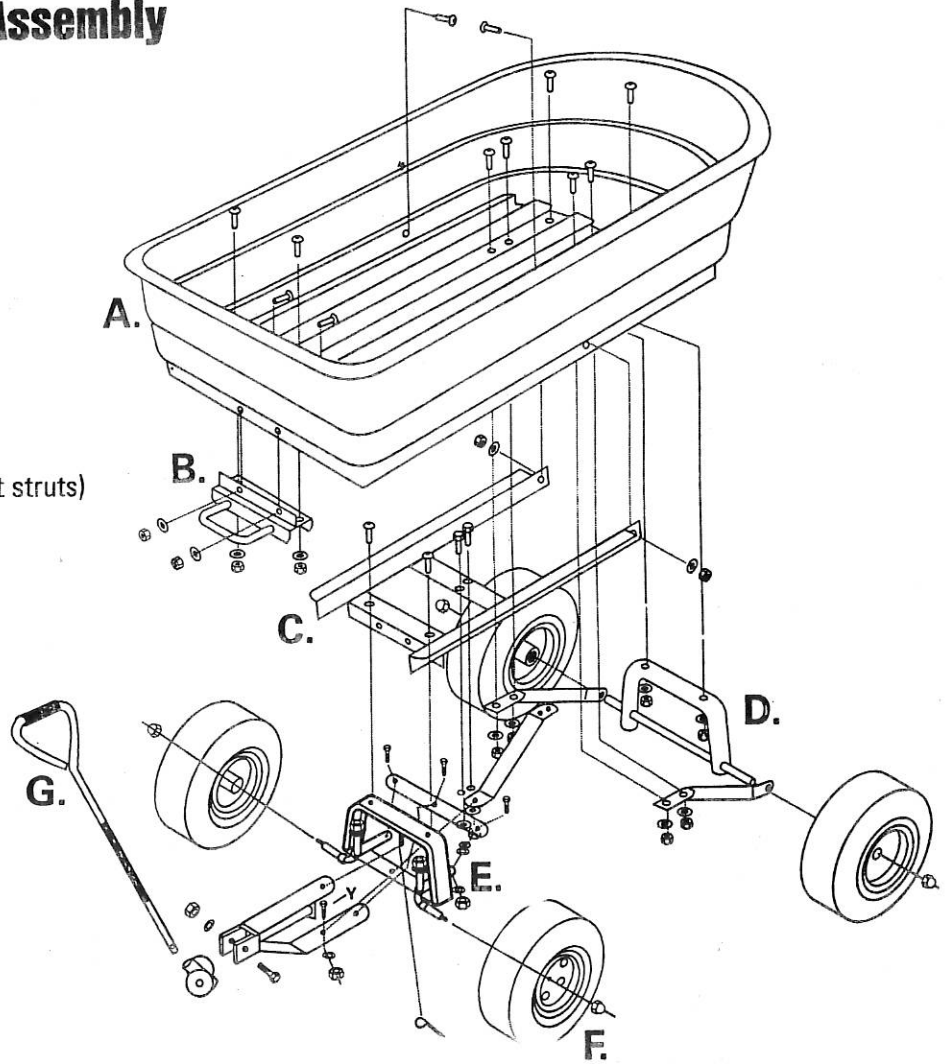


Exploded Drawing for Assembly

Parts List

- A. Tray (1)
- B. Lock Assembly (1)
- C. Front Frame (1)
- D. Rear Axle Assembly (1)
(includes rear axle and left and right struts)
- E. Rear Axle Support Bar (1)
- F. Front Axle Assembly (1)
- G. 10 inch wheel (4)



Hardware List

- A. M8x60 Bolt (1)
- B. M8x20 Truss Head Bolt (12)
- C. M8x20 Hex Head Bolt (2)
- D. M8 Lock Nut (15)
- E. M8 Washer (15)
- F. Wheel Washer (4)
- G. M12 Wheel Lock Nut (4)

