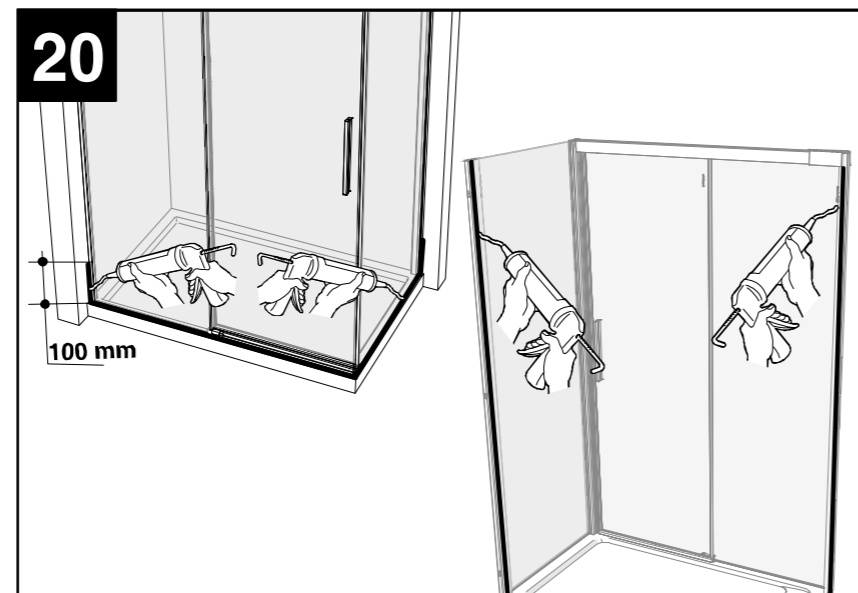
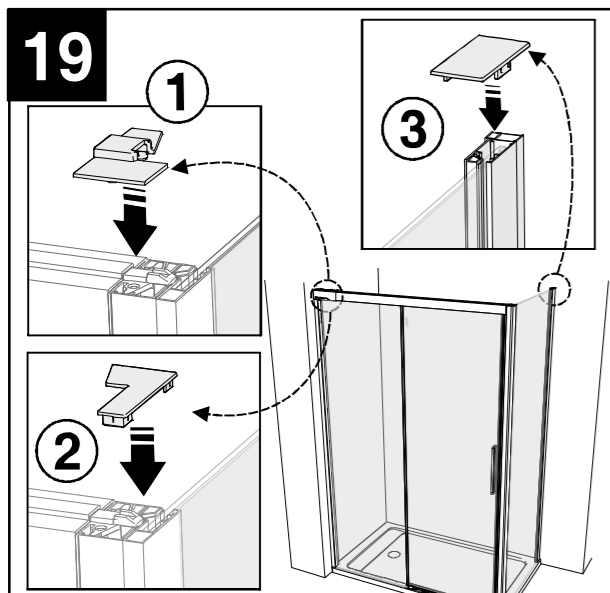
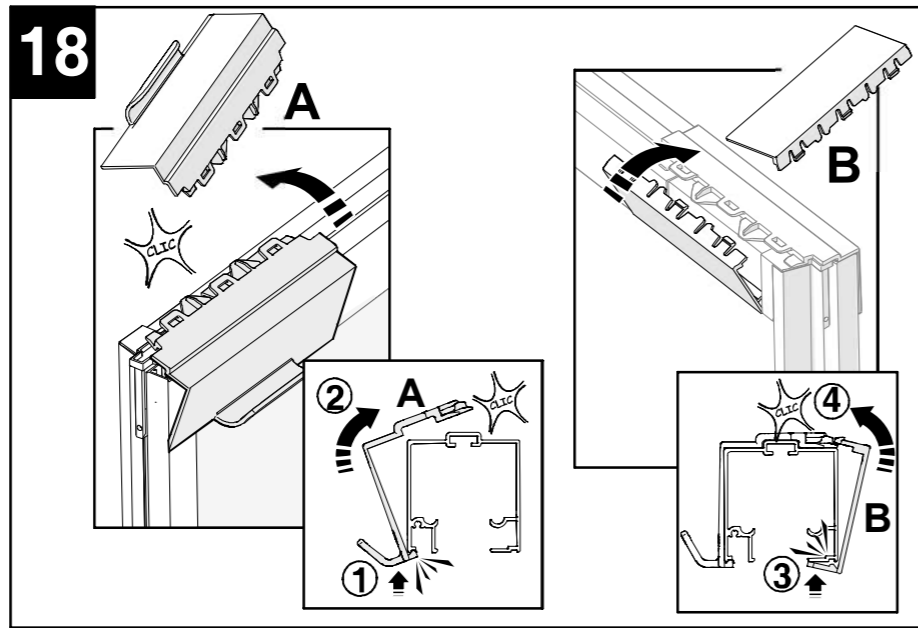
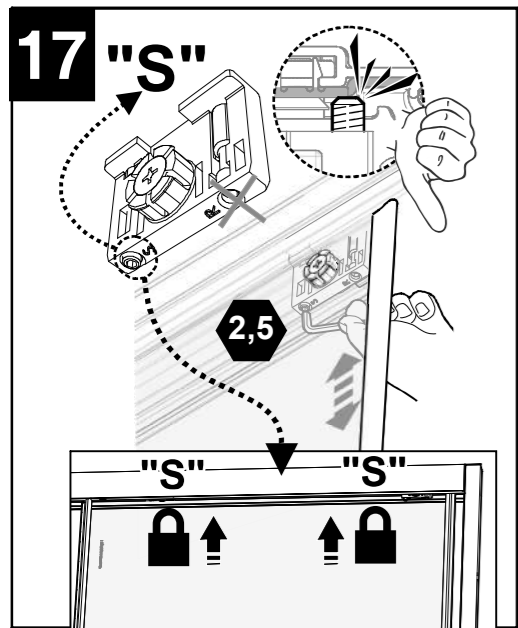
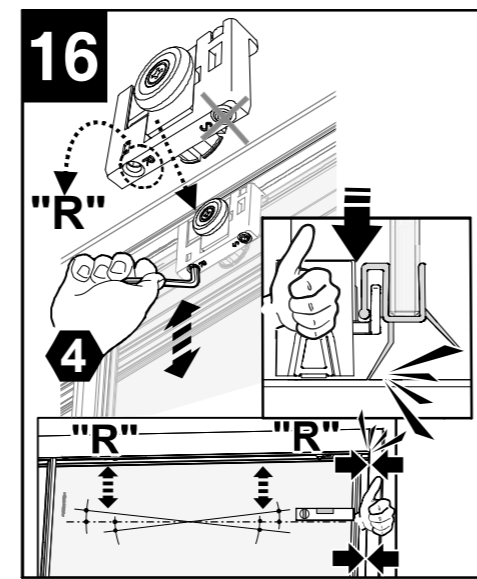
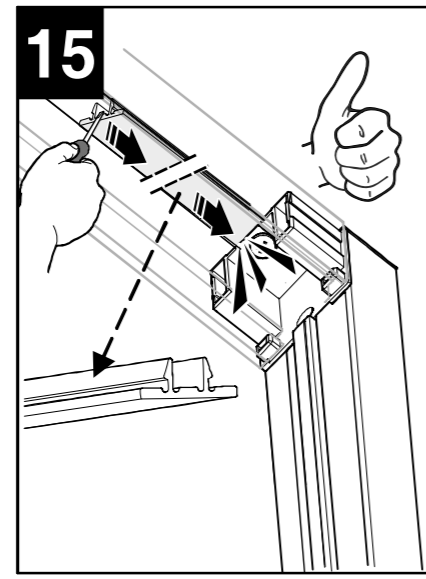
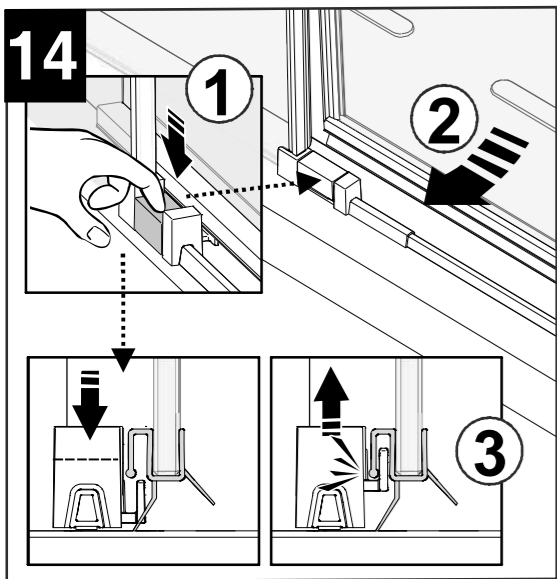
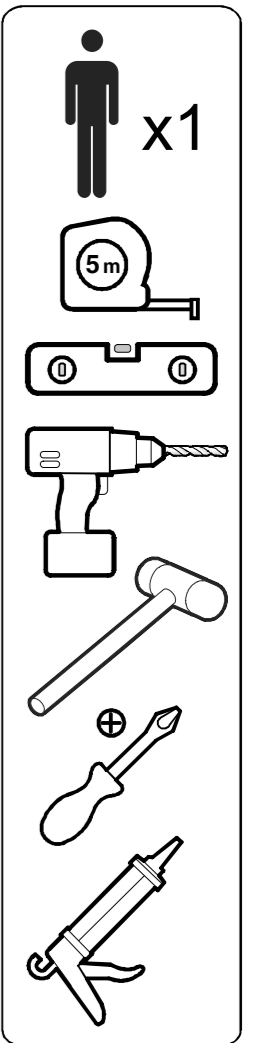
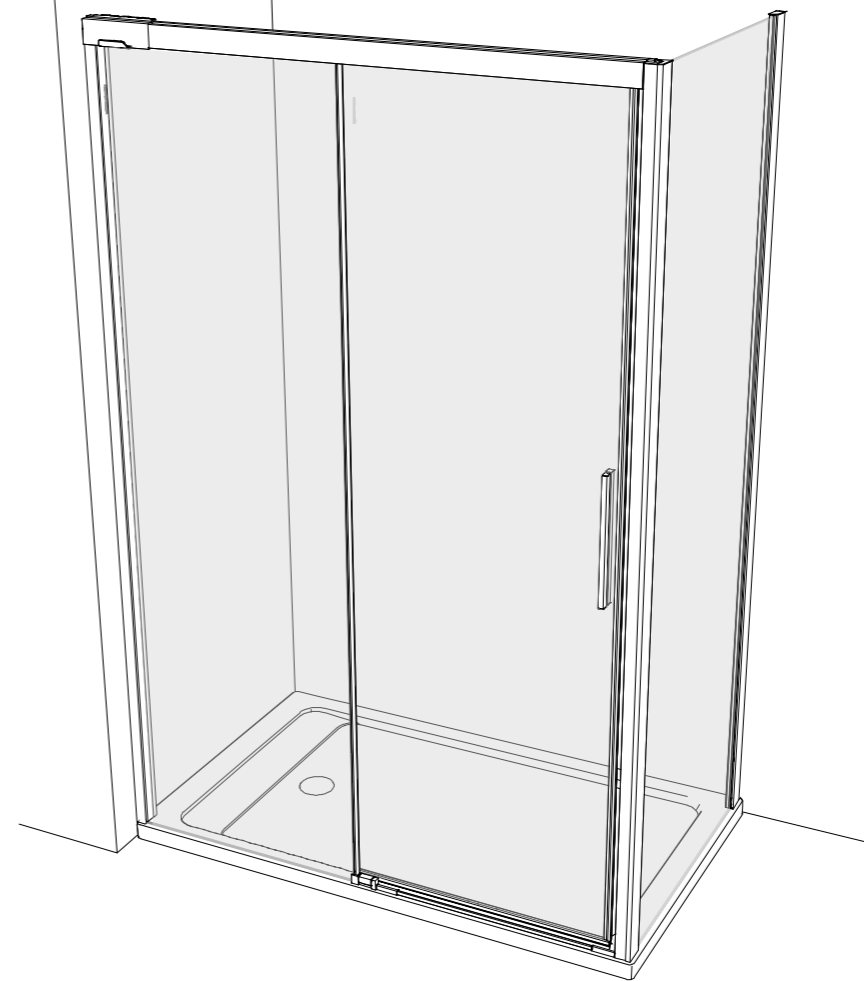


APOLO L2-E+LF



| L2-E | A (mm) | LF | B (mm) |
|------|-----------|-----|---------|
| 1000 | 970-1020 | | |
| 1100 | 1021-1120 | | |
| 1200 | 1121-1220 | | |
| 1300 | 1221-1320 | | |
| 1400 | 1321-1420 | | |
| 1500 | 1421-1520 | 700 | 670-705 |
| 1600 | 1521-1620 | 750 | 720-755 |
| 1700 | 1621-1720 | 800 | 770-805 |
| 1800 | 1721-1820 | 900 | 870-905 |

