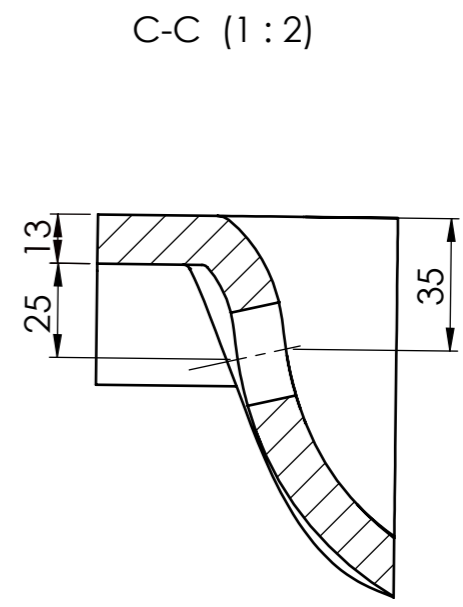
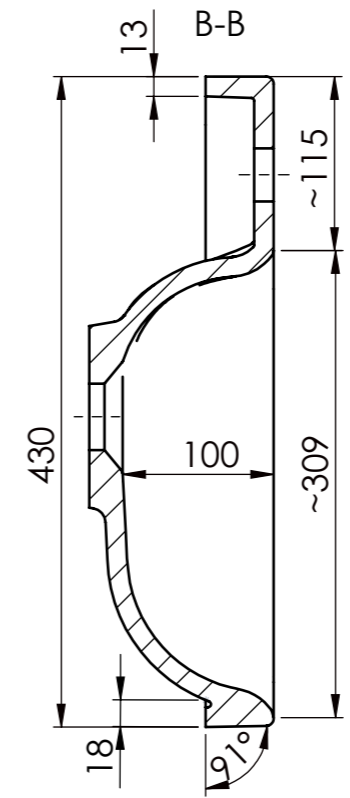
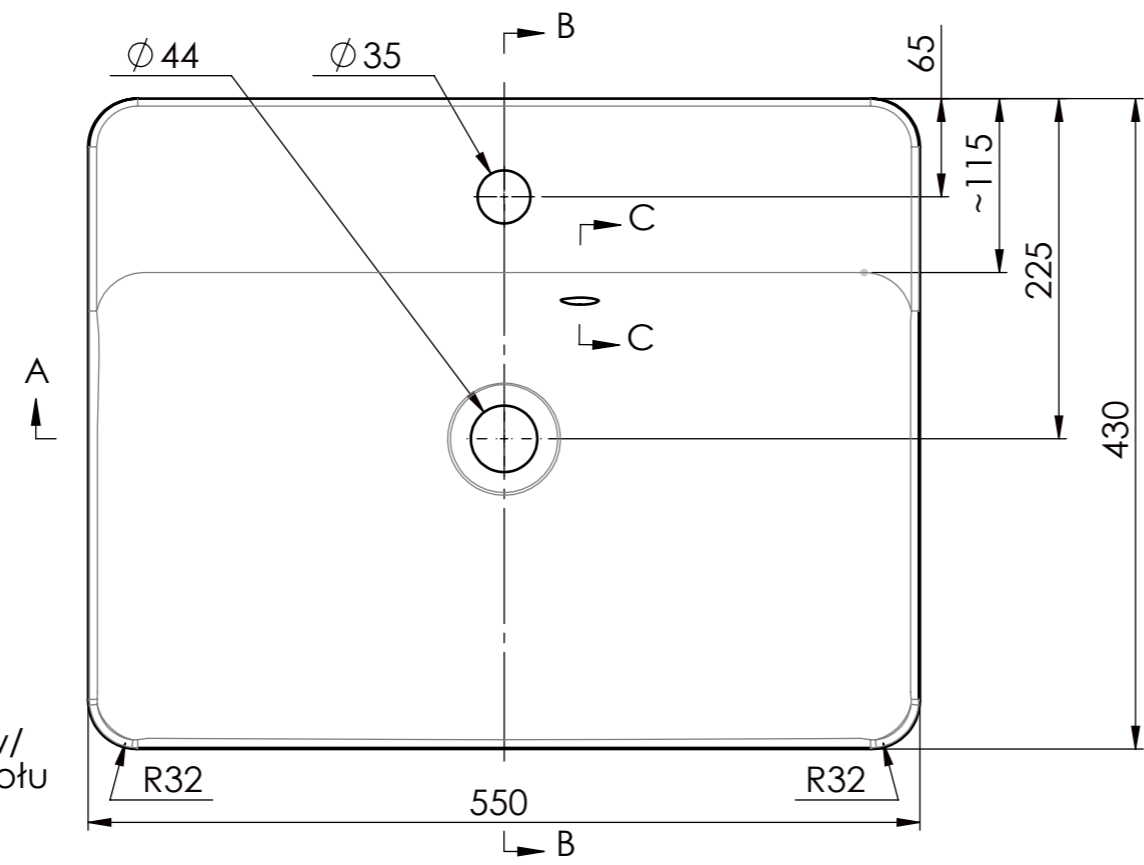
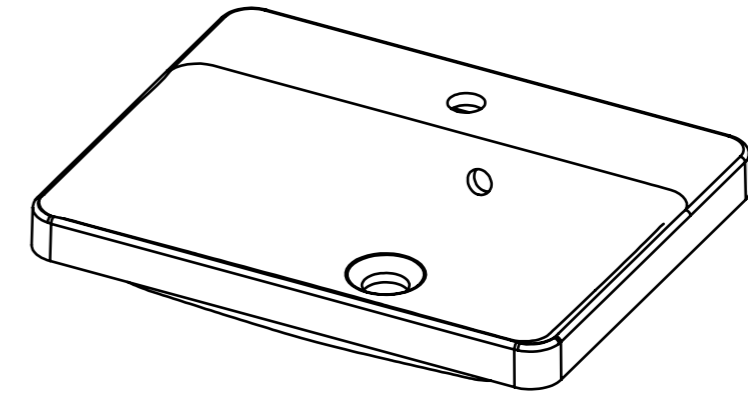
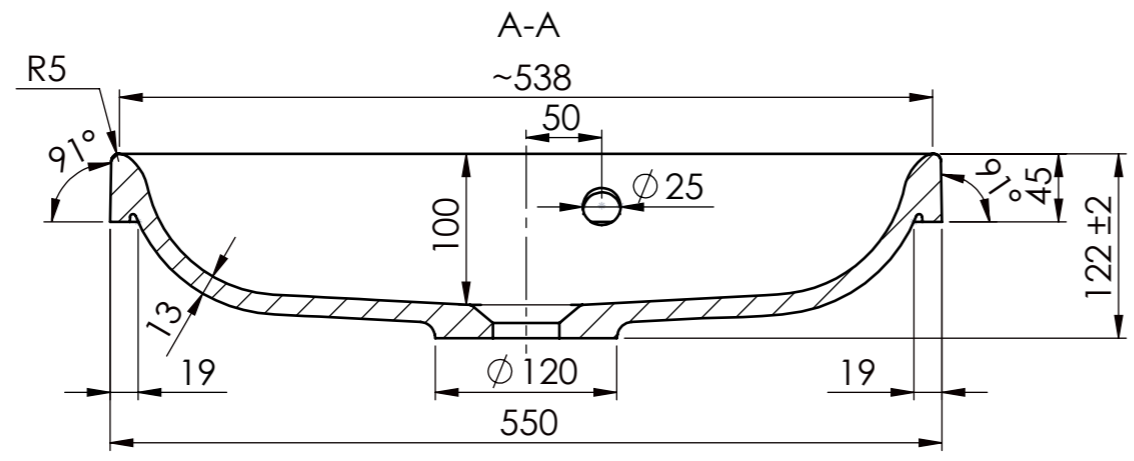
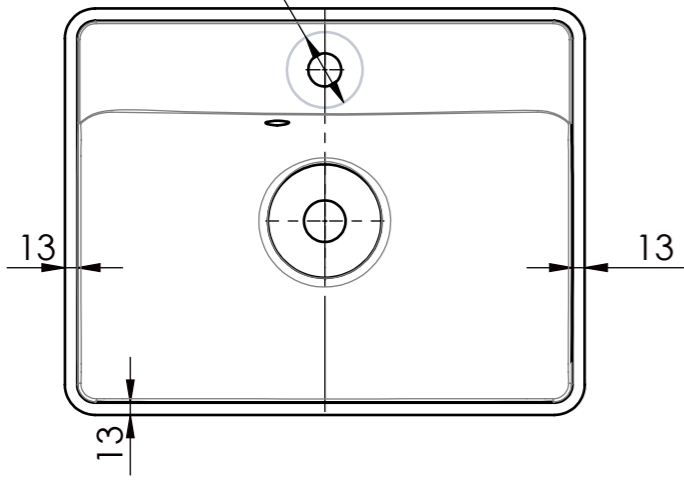


Rev	Design Change Note	Author	Date
001	First issue	KW	2021-10-15



Bottom view/
Widok od dołu
Ø 80 Flat area/
Powierzchnia płaska



Tolerance length	+3/-0 mm	Drawn by	Peter P	Created Date	2012-05-21	Checked by	Krzysztof N	Art. Name:	MARY 550C
Tolerance length granite	+1.5/-1.5 mm	Project status	Approved	Client	LM FRANCE	Art. No.:	6073470611xx	Mould No.:	F8533061
Tolerance Taphole Location	+3/-3 mm	Material volume [mm³]	4705025.41	Overflow	YES	Taphole	1	Main dimensions L x W / H [mm]	550 x 430 / 122
Tolerance overflowhole Location	+3/-3 mm	Surface area [mm²]	704363.76	Sheet Size	A3	Scale	1:5	Drain	Regular
Tolerance plane bending	+1.5/-1.5 mm							Current revision	001

This document must not be copied without our written permission, and the contents thereof must not be imparted to a third party nor be used for any unauthorized purpose. Contravention will be prosecuted.