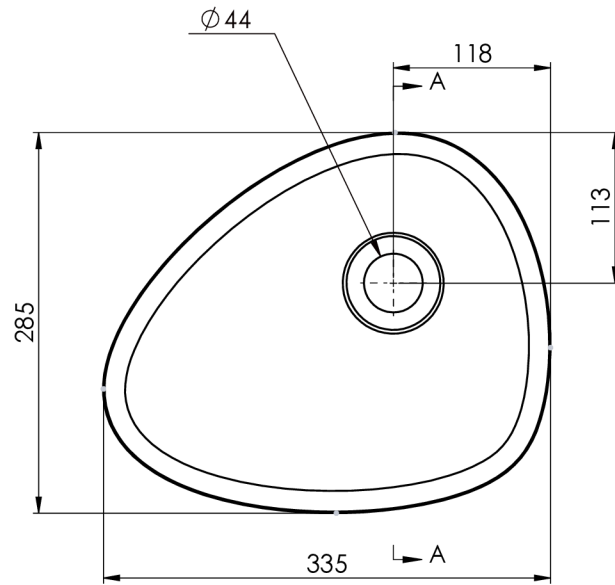
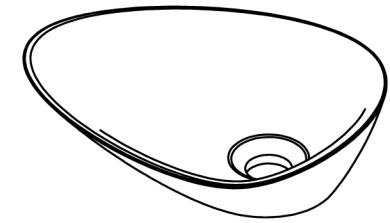
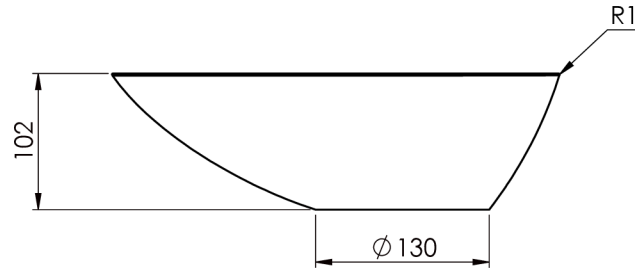
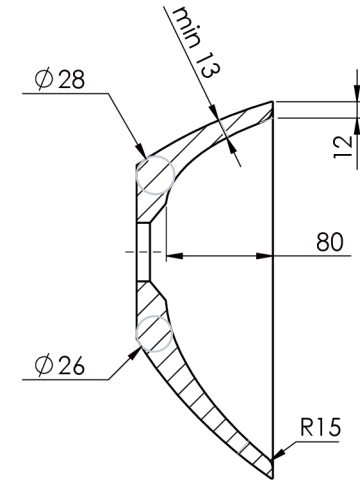


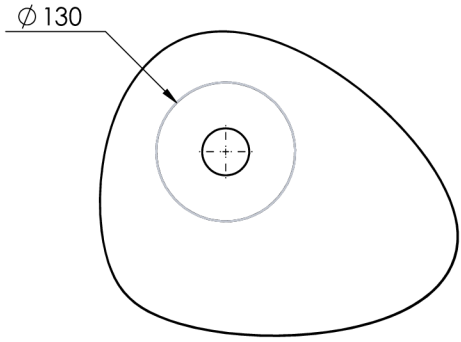
Rev	Design Change Note	Author	Date
001	First issue	KW	2023-07-21



A-A (1 : 4)



Bottom view /
Widok od dołu



Tolerance total	length	+3/0 mm	Drawn by Andrzej A	Created Date 2022-03-25	Checked by Katarzyna W	Art. Name: MARGO 335C	Art. No: 6073950410xx	Mould No: F7779041		
	width	+2/0 mm								
Tol. height side walls	height	+2/-2 mm	Project status Approved	Client LEROY FRANCE	Customer ID: 3127	Material volume [mm ³] 1627253.98	Overflow NO	Taphole 0	Main dimensions L x W / H [mm] 335 x 285 / 102	Drain Regular
	>25 mm	+2/-2 mm								
Tolerance holes location		+2/-2 mm			Surface area [mm ²] 210070.23	Sheet Size A3	Scale 1:5	Current revision 001	Sheet 1\1	
Tolerance holes diameter		+1/-1 mm								
Tolerance plane bending		+1,5/-1,5 mm								

This document must not be copied without our written permission. Any reproduction without our written permission is prohibited. All rights reserved. No liability is accepted for any damage caused by unauthorized use. Contravention will be prosecuted.