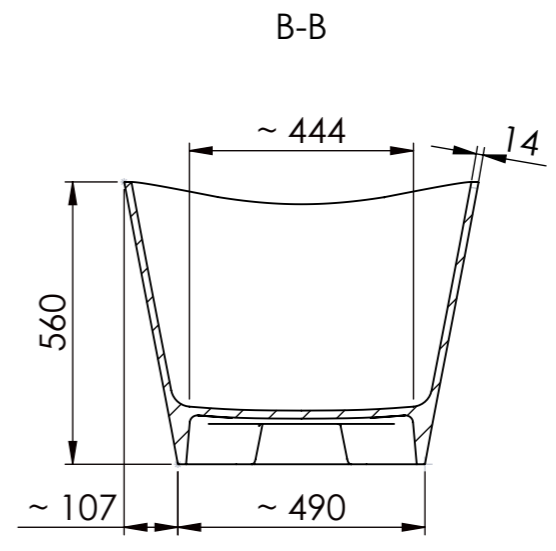
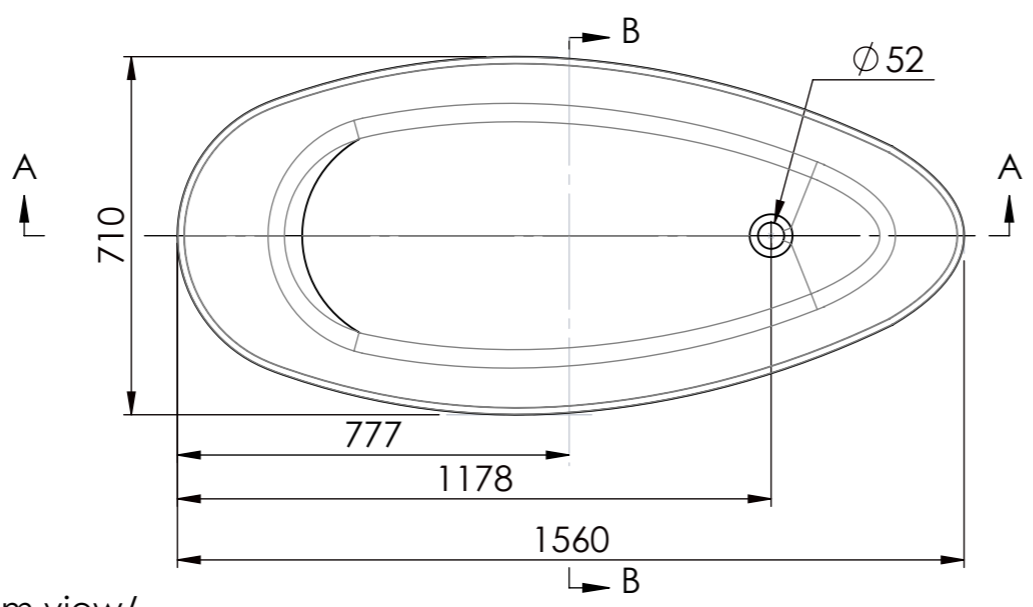
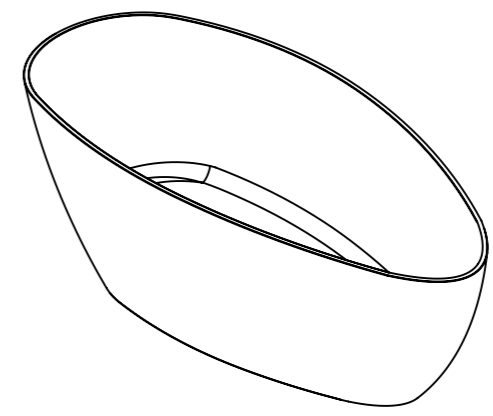
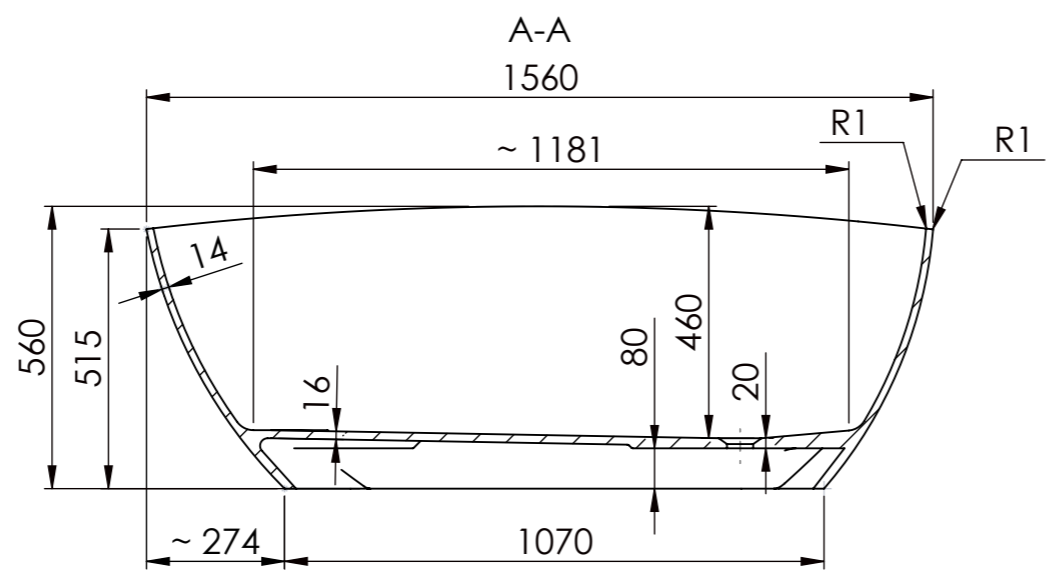
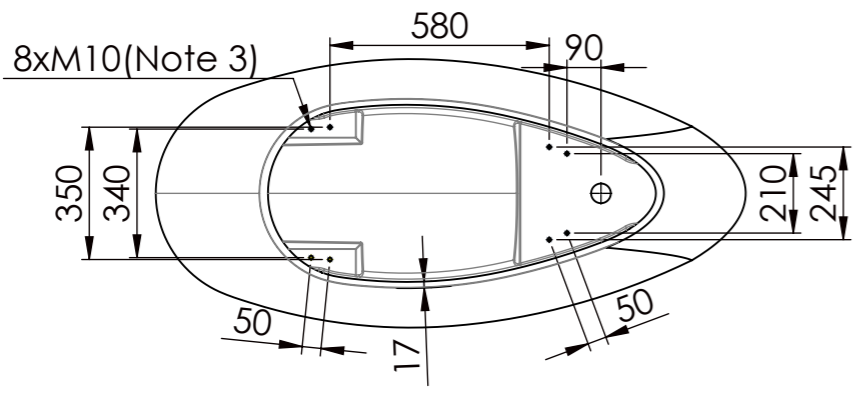


Rev	Design Change Note	Author	Date
001	First issue	ZP	2016-06-29



Bottom view/
Widok z dołu



- Uwagi/Note:
- 1) Water volume (full bathtub) 270 l / objętość wody (pełna wanna) 270 l
 - 2) Documentation based on real product / Dokumentacja stworzona na podstawie gotowego produktu
 - 3) Steel bearings / Metalowe kołki

Tolerance length/width/height	+10/-10 mm	Drawn by	Created Date	Checked by	Art. Name: STORI BAIGNOIRE 1570			
Tol. plane bending	≤800 mm	+1,5/-1,5 mm	Dahmani R.	2011-01-10	Zbigniew P	Art. No: 6073800610xx		Mould No: F1280041
	>800 mm	+3/-3 mm	Project status	Client	Customer ID: 3127			
Tolerance holes location	+3/-3 mm	Approved	LEROY	Material volume [mm ³]	Overflow	Taphole	Main dimensions L x W / H [mm]	Drain
Tolerance wall thickness	+1/-1 mm			39167567.80	No	0	1560 x 710 / 560	Regular
Tolerance feet location	+5/-5 mm			Surface area [mm ²]	Sheet Size	Scale	Current revision	
				4505004.10	A3	1:15		001

This document must not be copied without our written permission, and the contents thereof must not be imparted to a third party nor be used for any unauthorized purpose. Contravention will be prosecuted.