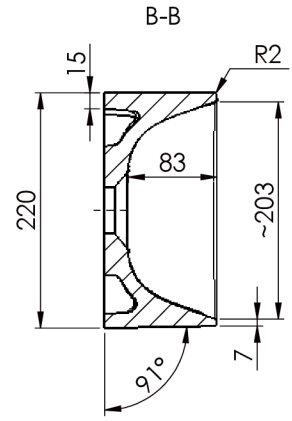
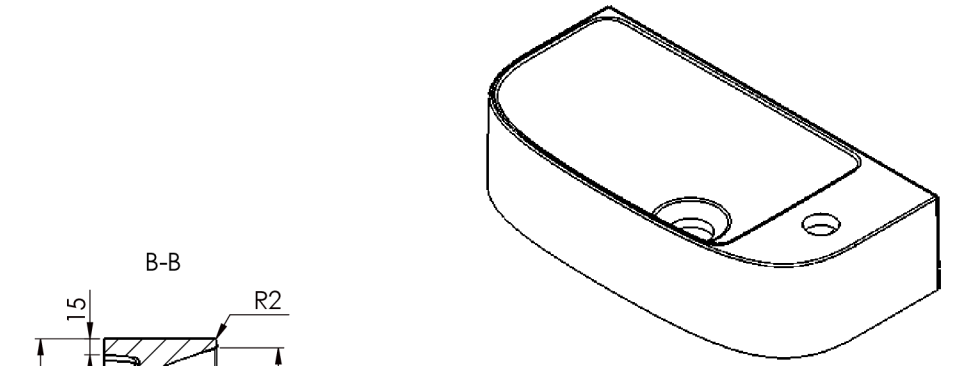
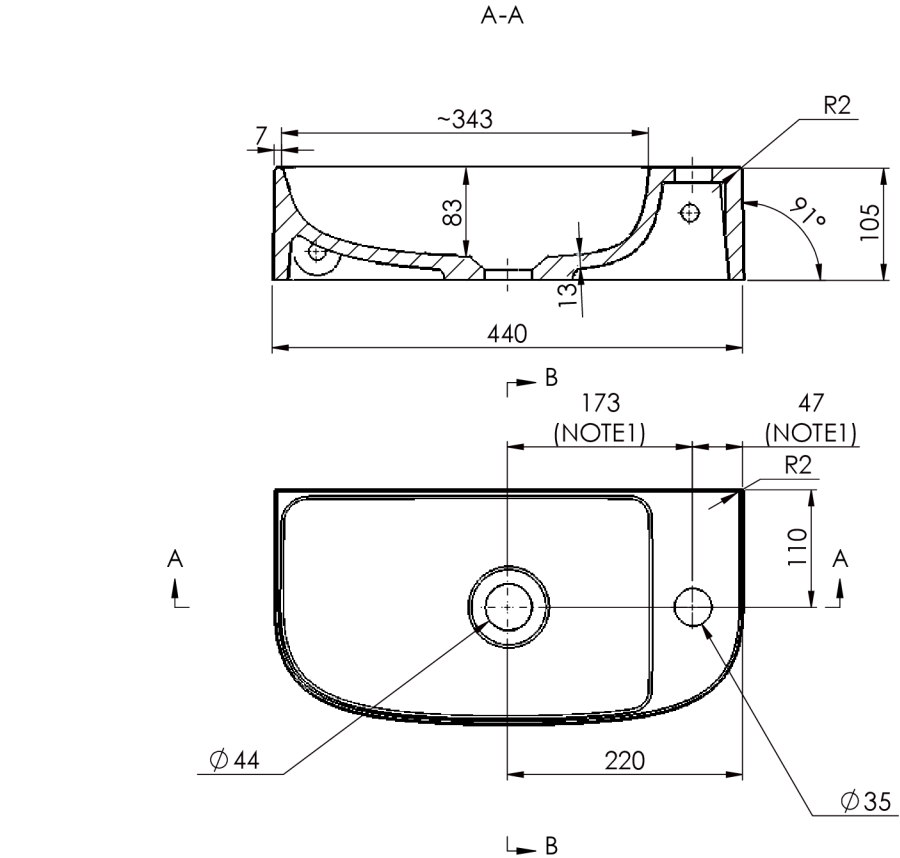
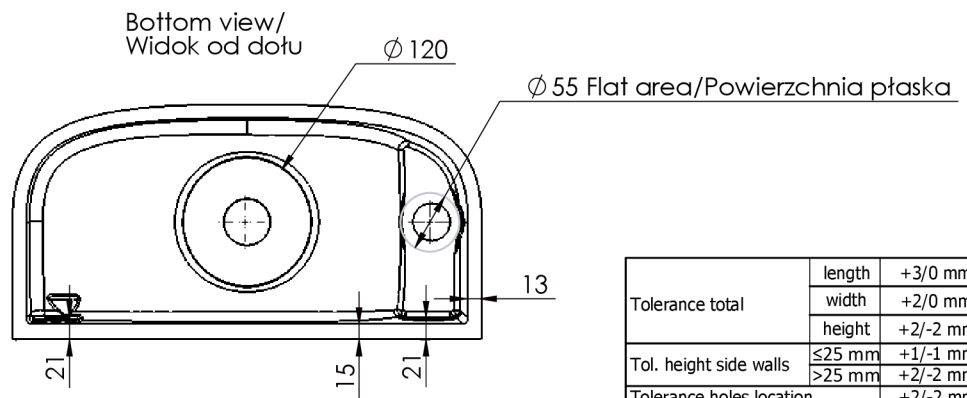
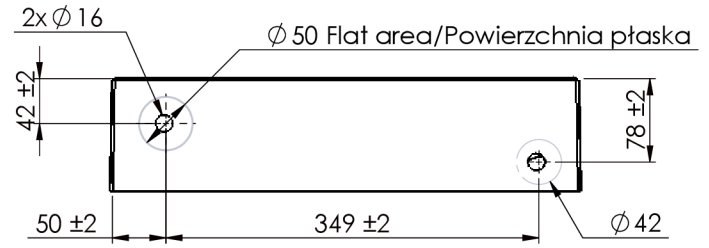


Rev	Design Change Note	Author	Date
001	First issue	KW	2023-07-21



Backside view/  
Widok z tyłu



**Notes/Uwagi:**

- Not according to the Norm EN 31/Nie zgodność z Normą EN31
- Design by Marta Gębska

Tolerance total	length	+3/0 mm	Drawn by Paweł G	Created Date 2018-11-26	Checked by Rafal B	Art. Name: OLA W 440L	Art. No: 6073590431xx	Mould No: F5495043		
	width	+2/0 mm								
Tol. height side walls	height	+2/-2 mm	Project status Approved	Client LEROY FRANCE	Customer ID: 3127	Material volume [mm³] 3134273	Overflow NO	Taphole 1	Main dimensions L x W / H [mm] 440 x 220 / 105	Drain Regular
	<25 mm	+1/-1 mm								
Tolerance holes location	>25 mm	+2/-2 mm			Surface area [mm²] 411770	Sheet Size A3	Scale 1:5		Current revision 001	
	Tolerance holes diameter	+1/-1 mm								
Tolerance plane bending		+1,5/-1,5 mm								

This document must not be copied without our written permission. Any reproduction or use of this document for any purpose other than the one intended for is prohibited. Contravention will be prosecuted.