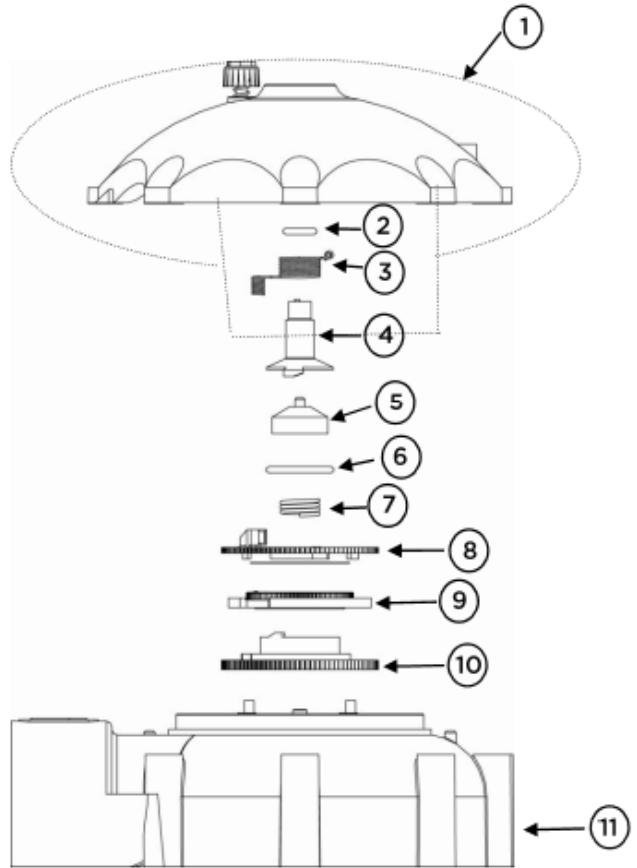


VALVE AND ACCESSORIES EXPLODED VIEW

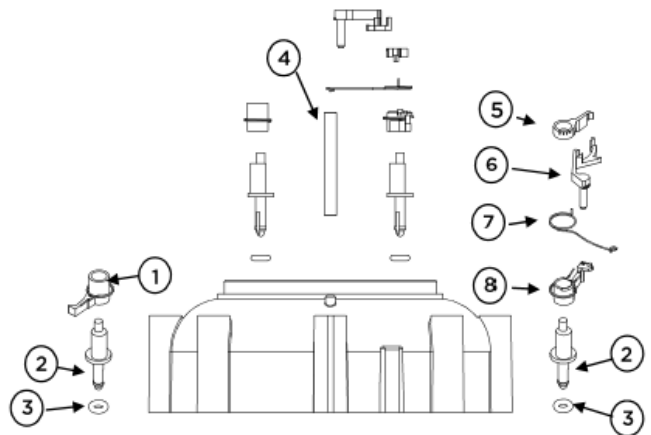
LEVEL 1 ASSEMBLY PARTS

Pos	Code	Description
1		COMPLETE CLEAR COVER
2		ACTUATOR O-RING
3		ACCUDIAL RETURN SPRING
4		SIMPLEX VALVE DEMAND ACTUATOR
5		BALANCE PISTON W/GUIDE
6		BALANCE PISTON O-RING
7		BALANCE PISTON SPRING
8		UPPER METER DISC
9		LOWER METER DISC 1-J
10		SOLITAIRE CONTROL DISC
11		SIMPLEX VALBE LEVEL 1



LEVEL 1 METERING PAWLS PARTS

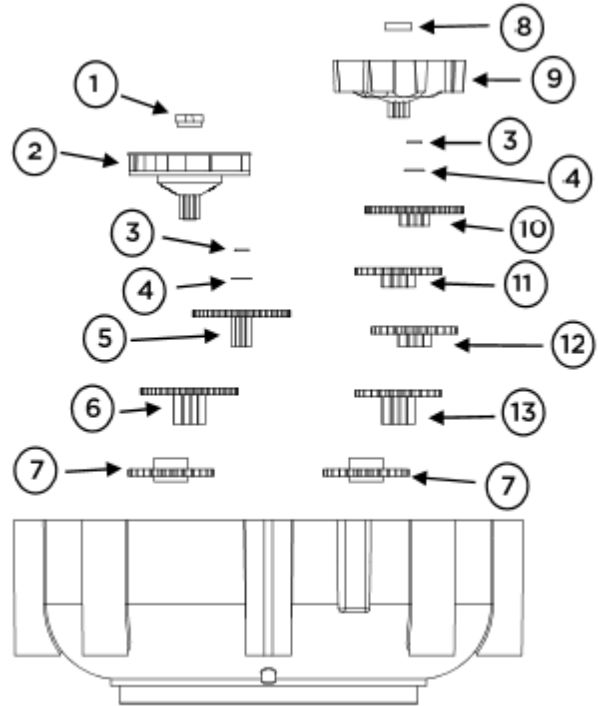
Pos	Code	Description
1		REGENERATION DRIVE PAWL ASSEMBLY
2		SIMPLEX VALVE ECCENTRIC PIN
3		STEM GEAR O-RING
4		SIMPLEX SUPPORT PIN
5		METER DRIVE PAWL
6		NO BACK PAWL
7		METER DRIVE PAWL SPRING
8		PAWL ASSY, REGEN START



VALVE AND ACCESSORIES EXPLODED VIEW

LEVEL 1 GEARING PARTS

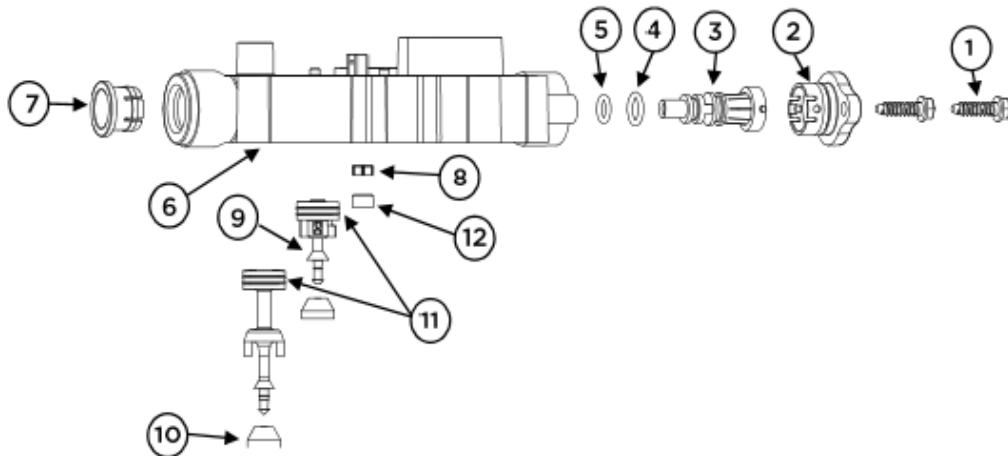
Pos	Code	Description
1		TWO STACK TURBINE RETAINER
2		TURBINE, REGEN 8 GEAR
3		E-RING
4		LEVEL ONE GEAR WASHER
5		GEAR #4
6		GEAR #3
7		LEVEL ONE STEM GEAR
8		METER TURBINE RETAINER
9		METER TURBINE



Pos	Code	Description
10		GEAR #12
11		GEAR #13
12		GEAR #14
13		GEAR #20

LEVEL 3 ASSEMBLY PARTS

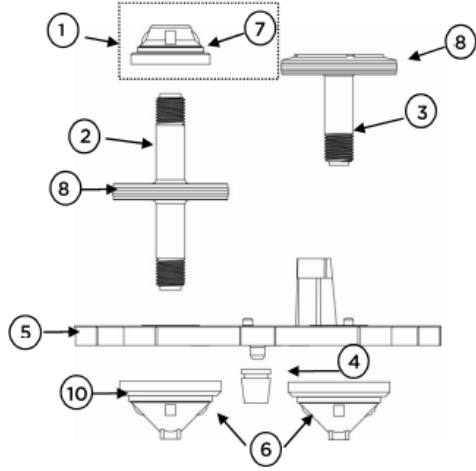
Pos	Code	Description
1		SS CAP SCREW
2		VENTURI ACCESPLUG W/O-RING
3		SIMPLEX VALVE VENTURI-TAN
4		O-RING 011
5		ACTUATOR O-RING 010
6		SIMPLEX VALV LEVEL 3
7		INSERT COLLET 0.50
8		FLOW CONTROL 0.20 BLUE
9		SPRING LOADED CONTROL VALVE W/QUAD
10		CONTROL DRAIN VALVE SEAL
11		QUAD RING DRAIN CONTROL
12		SIMPLEX VALVE L3, FILTER DISC



VALVE AND ACCESSORIES EXPLODED VIEW

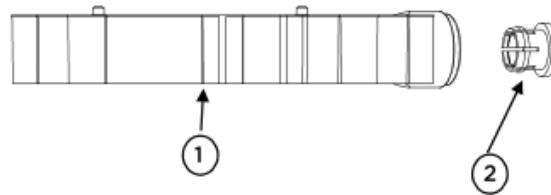
LEVEL 4 PARTS

Pos	Code	Description
1		SIMPLEX VALVE BY-PASS SEAT W/SEAL
2		UNITARY INLET VALVE W/QUAD
3		PISTON L-4
4		BACKWASH FLOW CONTROL-1.0 GPM TOREN 8 & 11
5		SIMPLEX VALVE LEVEL 4
6		LEVEL FOUR EAT, W/SEAL
8		QUAD RING, 125 PISTON
9		QUAD RING, 110 (INTERNAL NOT SHOWN)
10		SEAL, MAIN SEAL



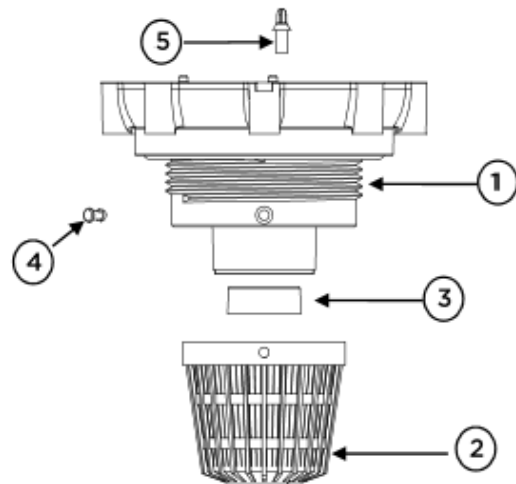
LEVEL 5 ASSEMBLY PARTS

Pos	Code	Description
1		SIMPLEX VALVE LEVEL 5
2		INSERT COLLET- 3/8 WITH M.G.



LEVEL 6 ASSEMBLY PARTS

Pos	Code	Description
1		SIMPLEX VALVE LEVEL 6
2		UPPER DISTRIBUTOR WITH CLIP HOLES
3		PRESSED SIMPLEX VALVE L-6 SCREEN
4		UPPER DISTRIBUTOR CLIP
5		SIMPLEX VALVE CHECK STEM



VALVE AND ACCESSORIES EXPLODED VIEW

OTHER COMPONENTS

Pos	Code	Description
		BRINE VALVE MOD. TOREN 8
		BRINE VALVE MOD. TOREN 11
1		SIMPLEX VALVE MAIN SCREW
2		SIMPLEX VALVE MAIN NUT
3		IN/OUT TANK ADAPTER O-RING 122
4		O-RING- 148 CAP SEAL
5		SIMPLEX VALVE LEVEL THREE SEAL
6		SIMPLEX VALVE LEVEL FOUR SEAL
7		SIMPLEX VALVE LEVEL FIVE SEAL
8		SIMPLEX VALVE LEVEL SIX SEAL
9		O-RING, 338 TANK / L6
10		DISTRIBUTOR TUBE O-RING, 215 – L6

