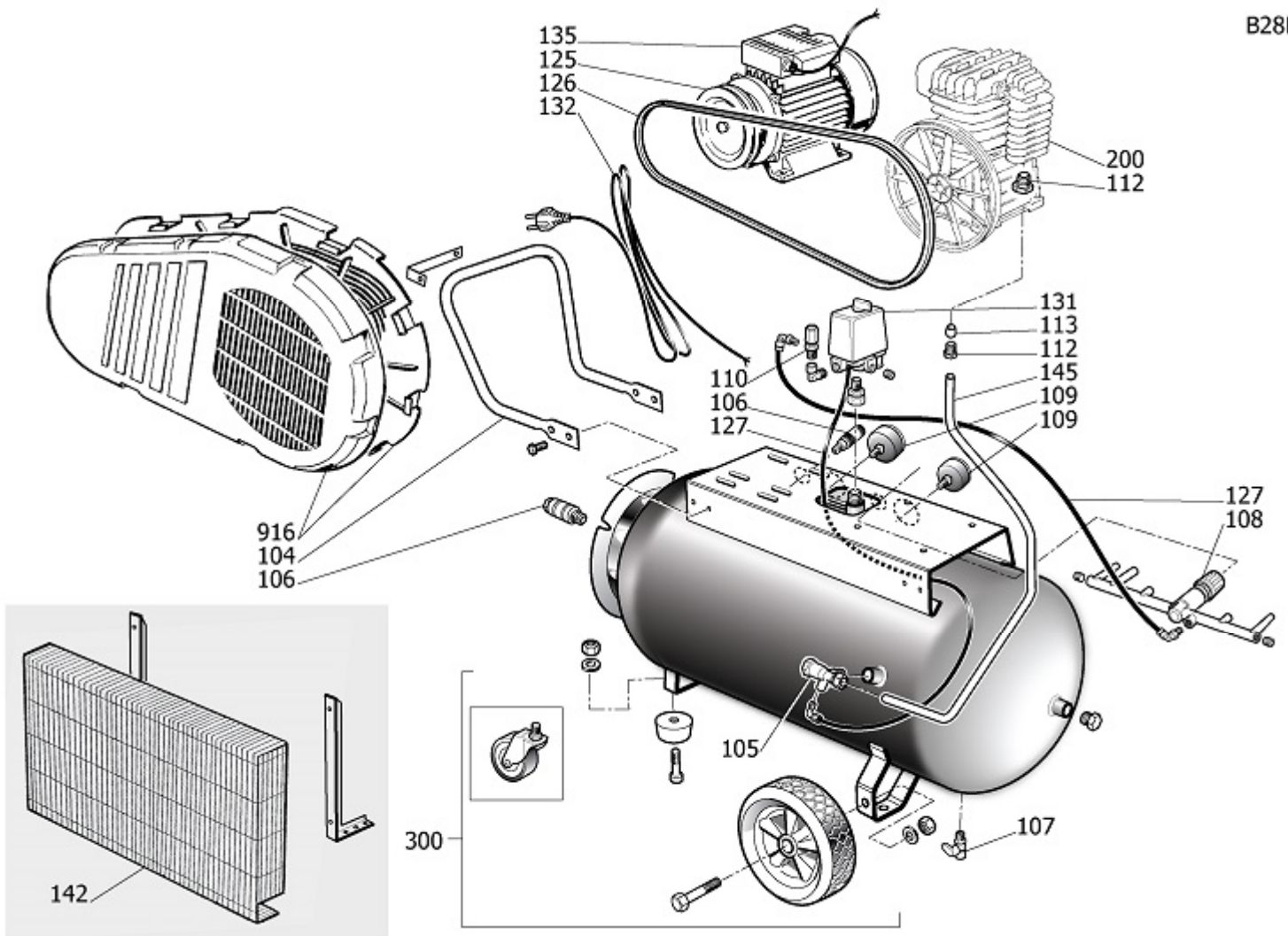
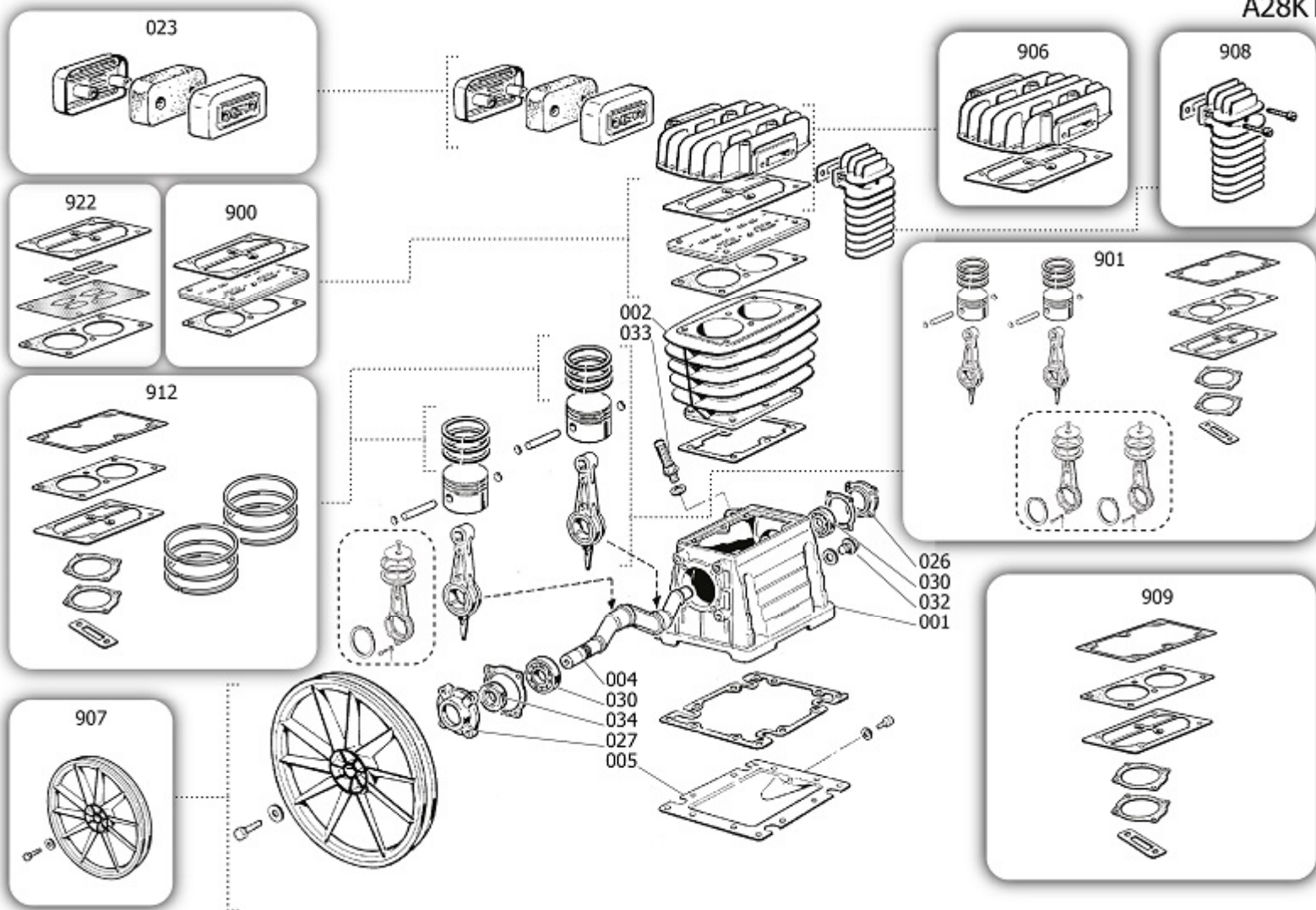


B28DT



Pos	Component	MU	Multiplier
104	9421478	MANIGLIA	PZ 1,0
105	9048009	VALVOLA RITEGNO	PZ 1,0
106	4100811	RUBINETTO LINEA	PZ 1,0
106	9047020	RUBINETTO LINEA	PZ 1,0
107	9047097	RUBINETTO SCARICO CONDENSA	PZ 1,0
108	9051315	RIDUTTORE DI PRESSIONE	PZ 1,0
109	9052071	MANOMETRO	PZ 1,0
109	9052072	MANOMETRO	PZ 1,0
110	9049315	VALVOLA DI SICUREZZA	PZ 1,0
112	9415903	NIPPLO/GOMITO	PZ 1,0
125	9076010	PULEGGIA	PZ 1,0
126	9075016	CINGHIA	PZ 1,0
127	9270045	TUBO HYTREL 6X8 NERO ITA	MT 0,5
127	9270046	TUBO HYTREL 4X6 NERO ITA	MT 0,7
131	4100688	PRESSOSTATO COMPLETO	PZ 1,0
132	9065847	CAVO ALIMENTAZIONE	PZ 1,0
135	84405CA	MOTORE	PZ 1,0
145	9043462	TUBO MANDATA	PZ 1,0
164	#011750000	RACC.AUTOM.GIR.L M1/4XØ8	PZ 1,0
200	280000B	GRUPPO POMPANTE	PZ 1,0
300	9421143	KIT RUOTE/PIEDI	PZ 1,0
916	8223070	KIT PARACINGHIA	PZ 1,0

A28KT



Pos	Component	MU	Multiplier
1	2860101 CARTER	PZ	1,0
2	9428040 CILINDRO	PZ	1,0
4	2860200 ALBERO	PZ	1,0
5	2660500 COPERCHIO CARTER	PZ	1,0
23	9428110 FILTRO ARIA COMPLETO	PZ	1,0
26	2060690 COPERCHIO ANTERIORE	PZ	1,0
27	2060500 SUPPORTO POSTERIORE CARTER	PZ	1,0
30	9170030 6205.P6.C0.V2.Z2.ROHS	PZ	2,0
32	9022025 SPIA LIVELLO OLIO	PZ	1,0
33	9024029 TAPPO OLIO	PZ	1,0
34	9163010 ANELLO DI TENUTA	PZ	1,0
900	9434A06 MPK VALVE PLATE B28/B28I/B38	PZ	1,0
901	9434B09 MPK PISTON-CONROD B2800	PZ	1,0
906	9434G73 MPK HEAD B28/B3800B	PZ	1,0
907	9428070 KIT VOLANO	PZ	1,0
908	9434E06 MPK AFTERCOOLER B28I/B28/B38	PZ	1,0
909	9434F07 MPK GASKET B28/28I/38	PZ	1,0
912	9434C09 MPK PISTON RINGS B2800/B38	PZ	1,0
922	9434H00 MPK MAINTEN.PV B28/B28I/B38	PZ	1,0

Pos	Component		MU	Multiplier
2	2830001	CILINDRO	PZ	1,0
61	2850200	GUARNIZ.CARTER-CILINDRO	PZ	1,0
62	2850300	GUARNIZ.CILINDRO-PIASTRA	PZ	1,0



KIT FILTRO B280

FILTRO ARIA COMPLETO

Pos	Component	MU	Multiplier
23	2881000	FILTRO ARIA COMPLETO	PZ 1,0

Pos	Component		MU	Multiplier
6	2840050	PIASTRA PORTAVALVOLE	PZ	1,0
62	2850300	GUARNIZ.CILINDRO-PIASTRA	PZ	1,0
64	2850400	GUARNIZIONE PIASTRA-TESTA	PZ	1,0
77	9007015	VALVOLA LAMELLARE	PZ	4,0

Pos	Component		MU	Multiplier
8	2810100	BIELLA COMPLETA	PZ	2,0
12	1421100	PISTONE BASSA PRESSIONE	PZ	2,0
12	3021200	PISTONE BASSA PRESSIONE	PZ	2,0
16	9020011	SEGMENTO AC/CCO	PZ	2,0
17	9020041	SEGMENTO ROS	PZ	2,0
18	9020071	SEGMENTO ROF	PZ	2,0
45	9140040	SEEGER 15 UNI 7437	PZ	4,0
909	9434F07	MPK GASKET B28/28I/38	PZ	1,0

Pos	Component		MU	Multiplier
60	2650101	GUARNIZIONE COPERCHIO INF.	PZ	1,0
60	3650100	GUARNIZIONE COPERCHIO INF.	PZ	1,0
61	2R50200	GUARNIZ.CARTER-CILINDRO	PZ	1,0
61	2850200	GUARNIZ.CARTER-CILINDRO	PZ	1,0
61	3650201	GUARNIZ.CARTER-CILINDRO	PZ	1,0
62	2850300	GUARNIZ.CILINDRO-PIASTRA	PZ	1,0
64	2850400	GUARNIZIONE PIASTRA-TESTA	PZ	1,0
65	2050500	GUARNIZIONE COPERCHIO	PZ	1,0
66	1070200	GUARNIZIONE COLLETTORE	PZ	1,0

Pos	Component		MU	Multiplier
3	3860400	TESTA	PZ	1,0
64	2850400	GUARNIZIONE PIASTRA-TESTA	PZ	1,0

Pos	Component		MU	Multiplier
29	2600100	VOLANO	PZ	1,0
35	9110014	VITE VOLANO	PZ	1,0
36	9004008	RONDELLA VOLANO	PZ	1,0

Pos	Component		MU	Multiplier
24	2870100	COLLETTORE	PZ	1,0
66	1070200	GUARNIZIONE COLLETTORE	PZ	1,0

Pos	Component	MU	Multiplier
60	2650101	PZ	1,0
60	3650100	PZ	1,0
61	2R50200	PZ	1,0
61	2850200	PZ	1,0
61	3650201	PZ	1,0
62	2850300	PZ	1,0
64	2850400	PZ	1,0
65	2050500	PZ	1,0
66	1070200	PZ	1,0

Pos	Component		MU	Multiplier
16	9020011	SEGMENTO AC/CCO	PZ	2,0
17	9020041	SEGMENTO ROS	PZ	2,0
18	9020071	SEGMENTO ROF	PZ	2,0
61	2R50200	GUARNIZ.CARTER-CILINDRO	PZ	1,0
61	2850200	GUARNIZ.CARTER-CILINDRO	PZ	1,0
61	3650201	GUARNIZ.CARTER-CILINDRO	PZ	1,0
62	2850300	GUARNIZ.CILINDRO-PIASTRA	PZ	1,0
64	2850400	GUARNIZIONE PIASTRA-TESTA	PZ	1,0
65	2050500	GUARNIZIONE COPERCHIO	PZ	1,0
66	1070200	GUARNIZIONE COLLETTORE	PZ	1,0

Pos	Component		MU	Multiplier
62	2850300	GUARNIZ.CILINDRO-PIASTRA	PZ	1,0
64	2850400	GUARNIZIONE PIASTRA-TESTA	PZ	1,0
77	9007015	VALVOLA LAMELLARE	PZ	4,0

Pos	Component		MU	Multiplier
141	833320E	CONVOGLIATORE	PZ	1,0
142	833310D	PARACINGHIA	PZ	1,0