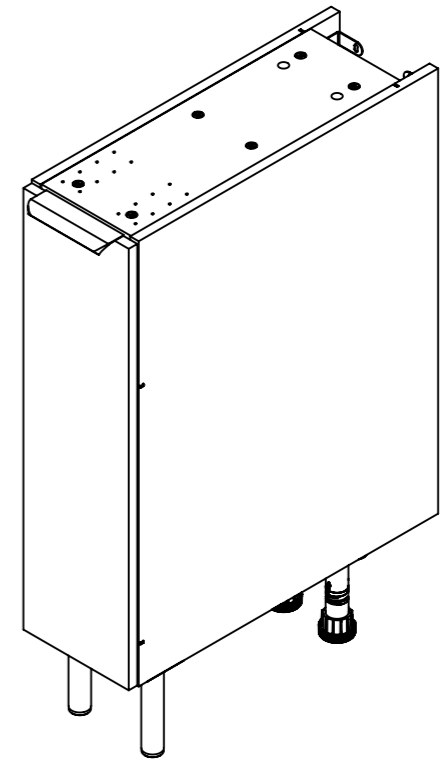
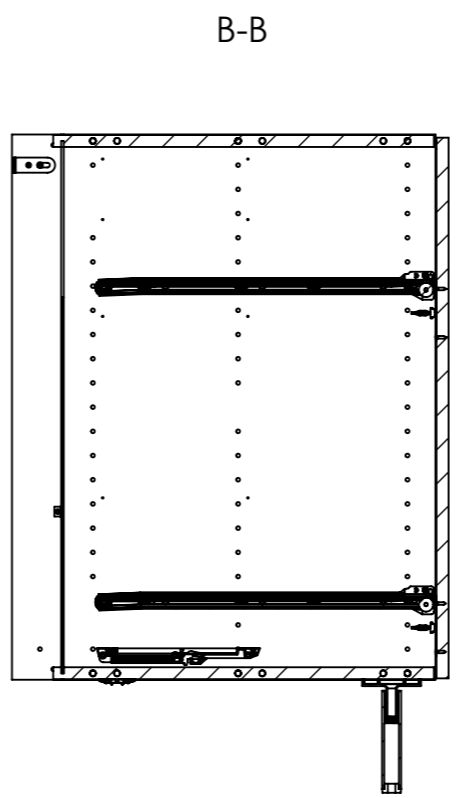
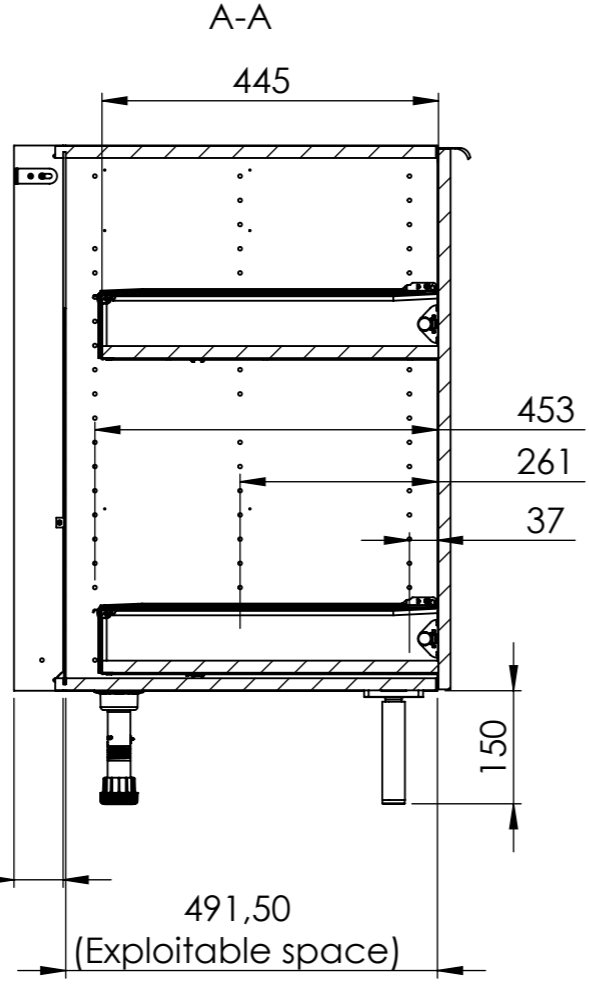
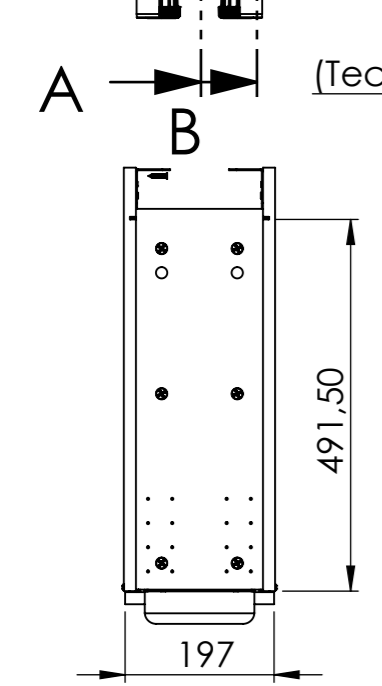
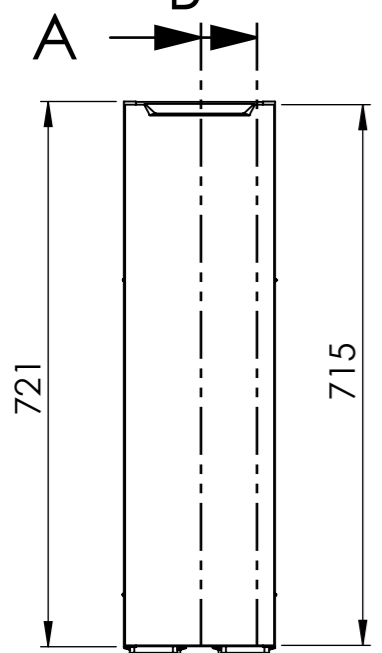
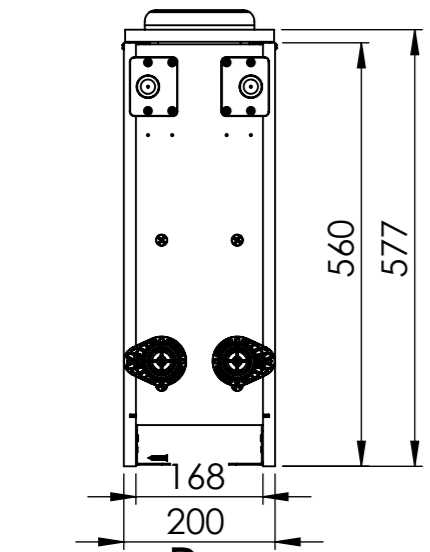
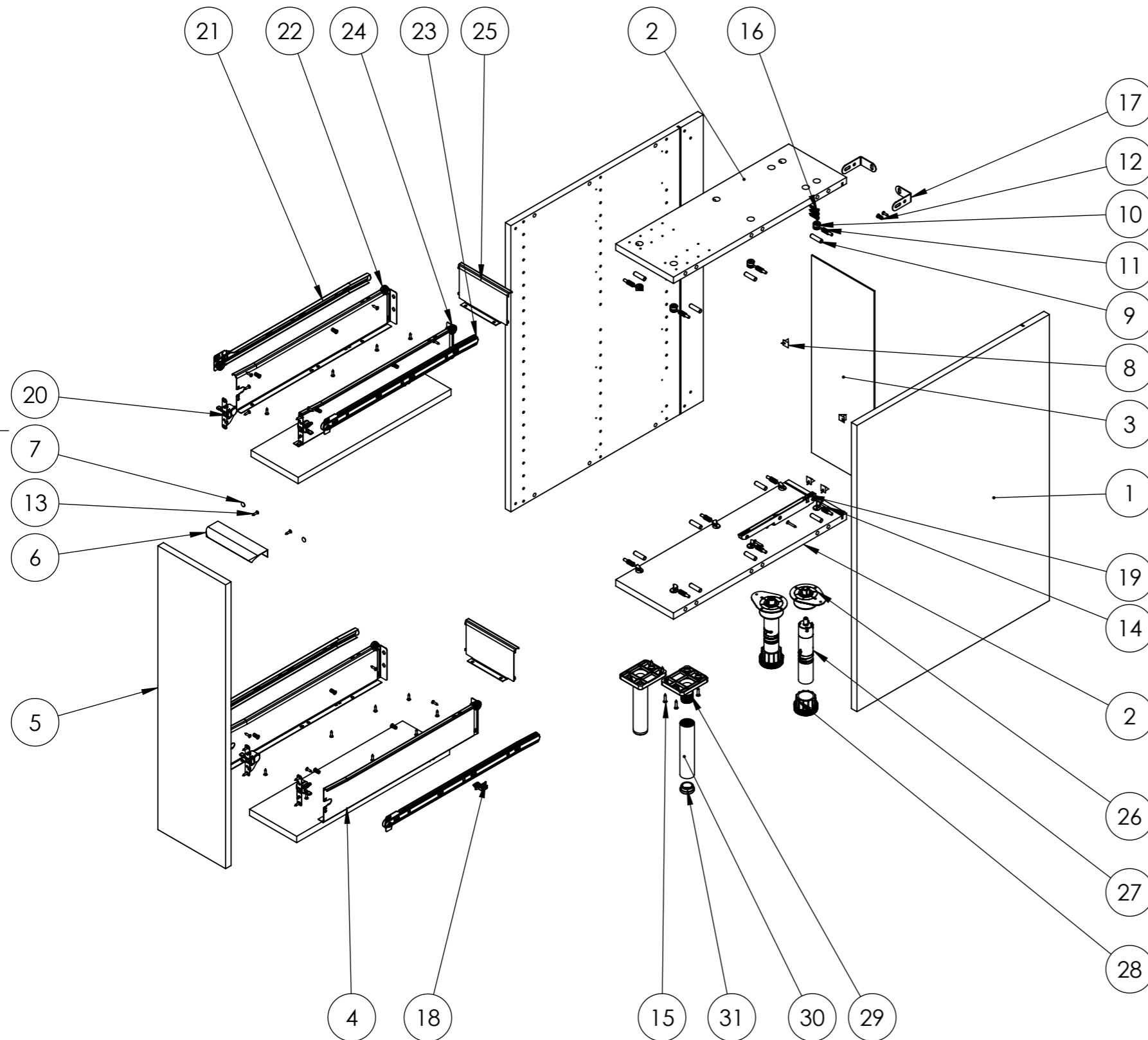


# WIDTH 200 SPICY DRAWER



MATERIAL:	DO NOT SCALE DRAWING		SHEET 1 OF 2
SURFACE:	REFERENCE:		
TOLERANCE:	24R17P06-0003-009 L		
WEIGHT:	DESCRIPTION:		
SCALE: 1:10	UNIT: mm	FORMAT: A3	<b>WIDTH 200 SPICY DRAWER</b>
AUTOR: A.PRZADKA	CHECKER: C.DORMEGNIE	This drawing is the exclusive property of <b>ADEO</b> . Any reproduction in part or whole without the written permission of <b>ADEO</b> is prohibited.	
STATUS: APPROVED			
DATE: 06/11/2024			

## WIDTH 200 SPICY DRAWER



REP	PART REFERENCE	DESCRIPTION	Configuration	QTY
1	24R17P06-0003-107	SIDE PANEL	Default	2
2	24R17P06-0003-205	TOP BOTTOM PANEL	W200	2
3	24R17P06-0003-403	BACK PANEL	W200	1
4	24R17P06-0004-0008	DRAWER BOTTOM	137 x 445 x 16	2
5	24R17P06-0004-0011	F 20 / 72	Default	1
6	24R17P06-0004-0015	HANDLE SMEK	Default	1
7	HARDWARE-0000-0001	SILICON PAD	-	2
8	HARDWARE-0000-0016	BOARDFIXER	Boardfixer and screw	4
9	HARDWARE-0001-0830	WOOD DOWEL	D8 x 30	12
10	HARDWARE-0002-0001-1516	ECCENTRIC BOX	D15 (Panel 16)	12
11	HARDWARE-0002-0002-3416	ECCENTRIC AXLE	34 (Screw for 16mm panel)	12
12	HARDWARE-0003-0001-6313	EUROSCREW	6.3 x 13	10
13	HARDWARE-0003-0002-3515	WOOD SCREW COUNTERSUNK	3,5 x 15	36
14	HARDWARE-0003-0002-3525	WOOD SCREW COUNTERSUNK	3,5 x 25	3
15	HARDWARE-0003-0002-4020	WOOD SCREW COUNTERSUNK	4 x 20	8
16	HARDWARE-0003-0002-4025	WOOD SCREW COUNTERSUNK	4 x 25	3
17	HARDWARE-0004-0009	METAL BRACKET	55 x 45 x 20 x 1.5	2
18	HARDWARE-0007-0003-01	FORK	194700133	1
19	HARDWARE-0007-0003-02	INDAmatic	194700133	1
20	HARDWARE-0007-0003-03	FRONT COUPLER	677900005	4
21	HARDWARE-0007-0003-0450L1	LEFT RUNNER	653445133-L	2
22	HARDWARE-0007-0003-0450L2	LEFT DRAWER SIDE	698747136-L	2
23	HARDWARE-0007-0003-0450R1	RIGHT RUNNER	653445133-R	2
24	HARDWARE-0007-0003-0450R2	RIGHT DRAWER SIDE	698747136-R	2
25	HARDWARE-0007-0003-08-03	METAL BACK PANEL (200)	200	2
26	HARDWARE-0009-0002-01	BASE FOOT	Défaut	2
27	HARDWARE-0009-0002-02	BODY FOOT	150	2
28	HARDWARE-0009-0002-03	SKATE FOOT	Défaut	2
29	HARDWARE-0009-0003-01	BASE FOOT	Défaut	2
30	HARDWARE-0009-0003-02	BODY FOOT	Défaut	2
31	HARDWARE-0009-0003-03	SKATE FOOT	Défaut	2

MATERIAL:	DO NOT SCALE DRAWING		SHEET 2 OF 2
SURFACE:	REFERENCE:		
TOLERANCE:	<b>24R17P06-0003-009 L</b>		
WEIGHT:	DESCRIPTION:		
SCALE: 1:10	UNIT: mm	FORMAT: A3	<b>WIDTH 200 SPICY DRAWER</b>
AUTOR: A.PRZADKA	CHECKER: C.DORMEGNIE	This drawing is the exclusive property of <b>ADEO</b> . Any reproduction in part or whole without the written permission of <b>ADEO</b> is prohibited.	
STATUS: APPROVED			
DATE: 06/11/2024			