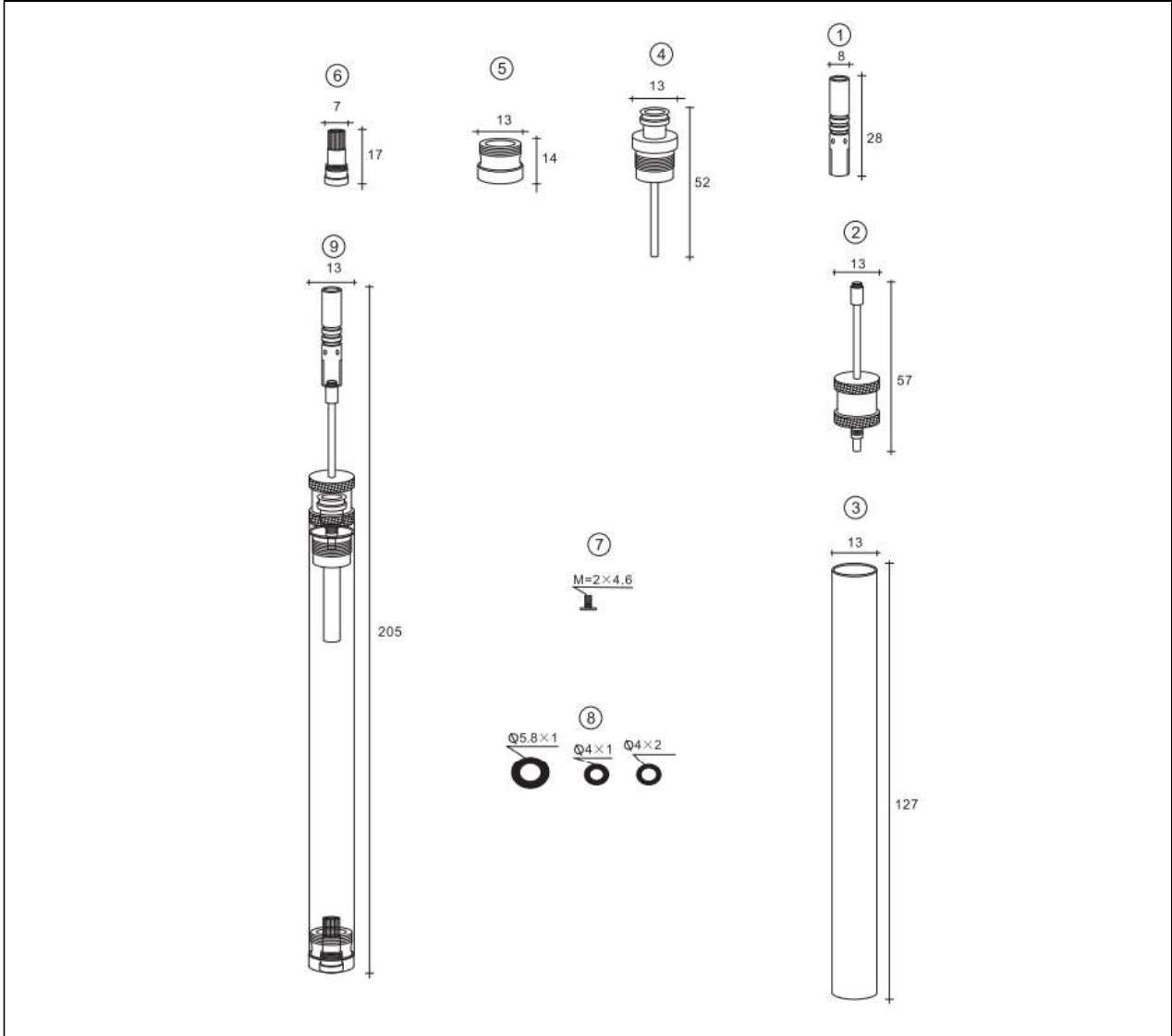


PRODUCT EXPLODED VIEW



COMPONENTS LIST

IDENTIFICATION NUMBER IN THE EXPLODED VIEW FILE	DESCRIPTION	QUANTITY
1	Fire outlet	1
2	Regulating valve bracket	1
3	Aluminum tube shell	1
4	Gas outlet valve	1
5	Air inlet valve	1
6	Air suction	1
7	Fastening screw	1
8	O-ring	3