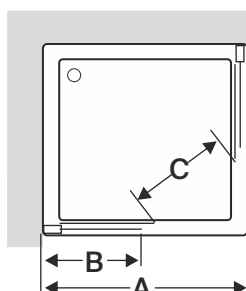
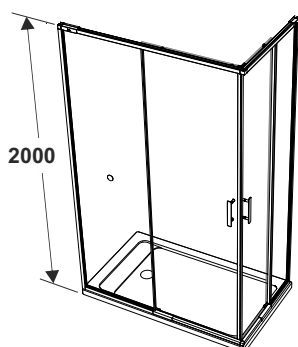
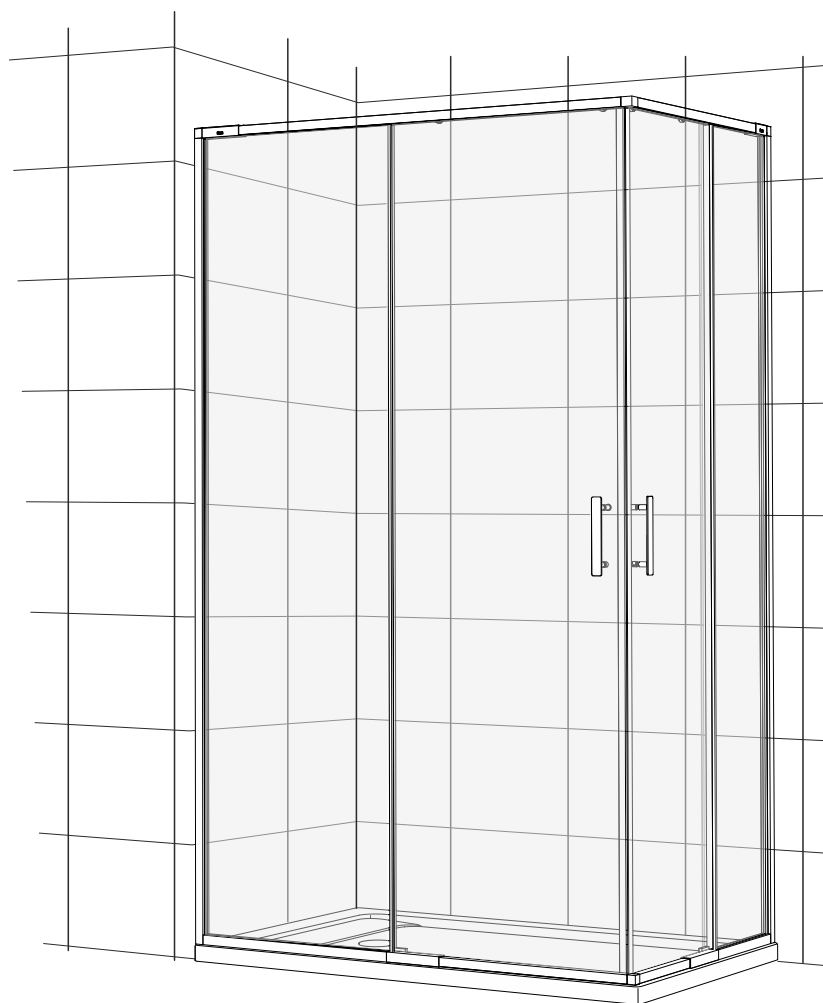


Victoria Plus

2L2

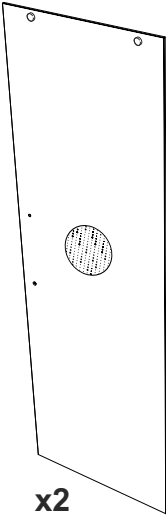
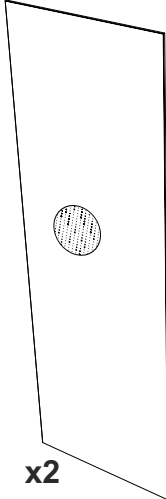
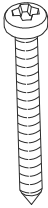
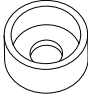
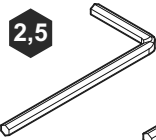
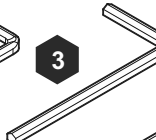
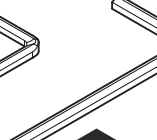
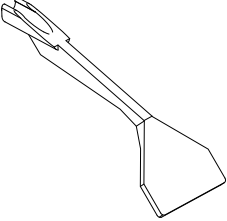
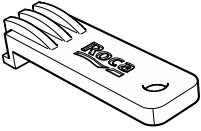
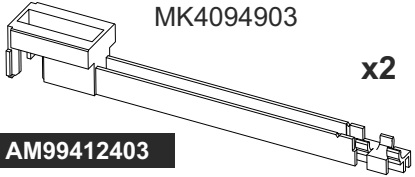
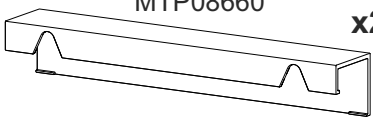
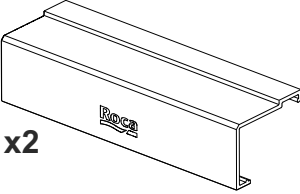
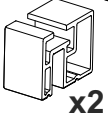
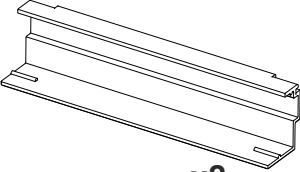
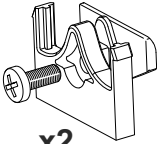
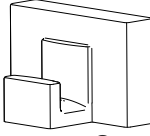
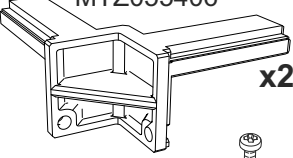
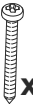
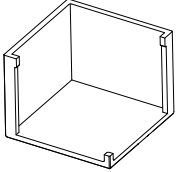
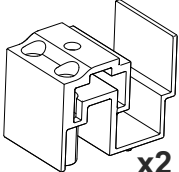
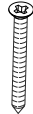

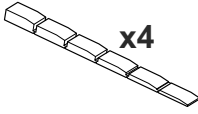
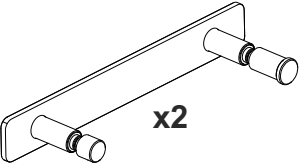
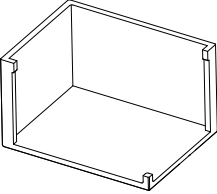
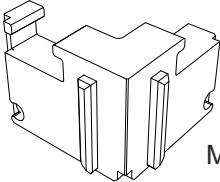
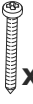



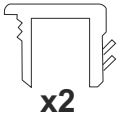
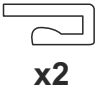
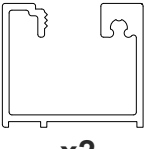
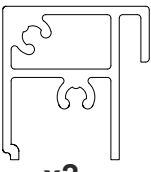
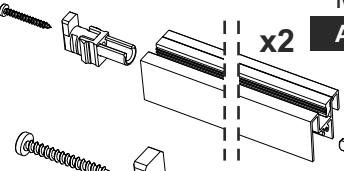
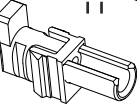
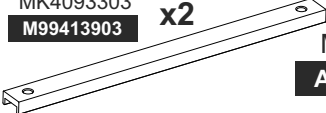
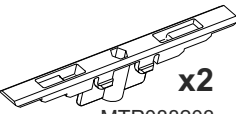
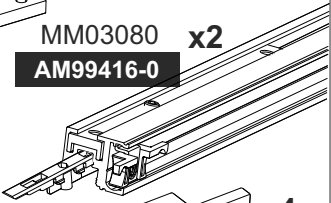
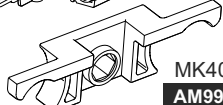


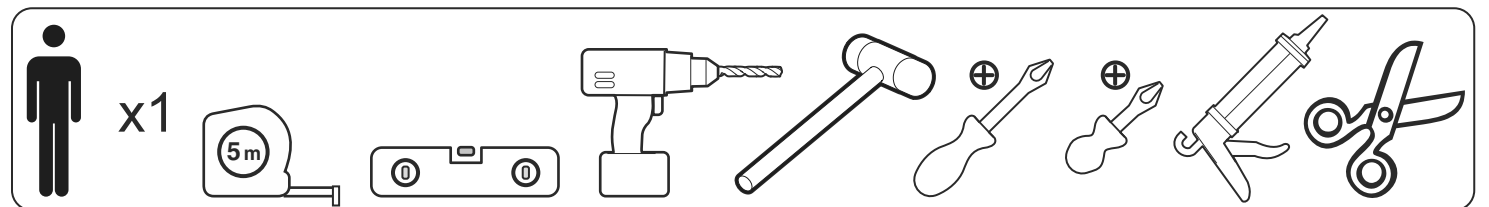
AM12A...



2L2	A		B
	min	max.	
700	670	720	310
750	721	770	335
800	771	820	360
850	821	870	385
900	871	920	435
1000	921	1020	510
1100	1021	1120	560
1200	1121	1220	660

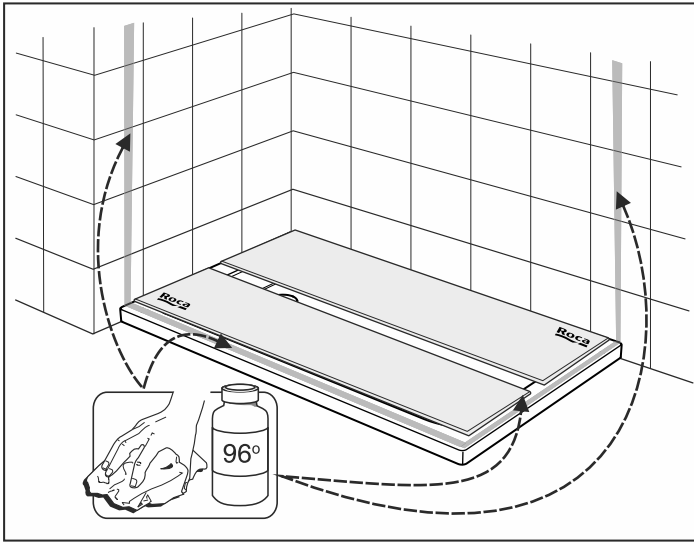
2L2	C	
	min	max.
700x700	330	400
750x750	365	435
800x800	400	470
850x850	435	505
900x900	435	505
1000x700	365	470
1000x750	385	490
1000x800	400	505
1200x700	400	505
1200x750	420	525
1200x800	440	540

<p>MABFM/MABGM</p>  <p>x2</p> <p>AM99422-M0</p>	<p>MABIM</p>  <p>x2</p> <p>AM9942--M0</p>	<p>MTS003200</p>  <p>x6</p>	<p>MTS002900</p> <p>MTP091006</p>  <p>x6</p> <p>AM99412000</p>	<p>MTS001900</p>  <p>2,5</p>	<p>MTS002000</p>  <p>3</p>  <p>4</p> <p>MTS006100</p>	
		<p>MTP067200</p>  <p>AM99412100</p>	<p>MTP088000</p>  <p>AM99412300</p>	<p>MK4094903</p>  <p>x2</p> <p>AM99412403</p>		
				<p>MTP08660</p>  <p>x2</p> <p>AM9941320</p>		
<p>MTP08690 / MTP08870</p>  <p>x2</p> <p>AM9941330 / AM9941340</p>	<p>MTP086803</p>  <p>x2</p>	<p>MTP08700 / MTP08880</p>  <p>x2</p>	<p>MK4094003</p>  <p>x2</p> <p>AM99412503</p>	<p>MTP086503</p>  <p>x2</p>	<p>MTZ055406</p>  <p>x2</p> <p>MTS001000</p>  <p>x4</p> <p>AM99412906</p>	
<p>MTP08760</p>  <p>AM9941310</p>	<p>MTZ05520</p>  <p>x2</p> <p>AM9941370</p>	<p>MTS017400</p>  <p>x2</p>	<p>MK409350</p>  <p>x4</p> <p>AM9941440</p>	<p>MTP071700</p>  <p>x4</p> <p>AM99412200</p>	<p>MK409380</p>  <p>x2</p> <p>AM9941450</p>	
<p>MTP08750</p>  <p>AM9941300</p>	<p>MTP087403</p>  <p>x2</p> <p>MTS001000</p>  <p>x2</p> <p>AM9941300</p>	<p>MU0624030</p>  <p>x4</p> <p>AM99414900</p>	<p>MU0561010</p>  <p>x2</p> <p>AM99415100</p>	<p>MU0735010</p>  <p>x6</p> <p>AM99414806</p>	<p>MU0737010</p>  <p>x2</p> <p>AM99415200</p>	<p>MU0724010</p>  <p>x2</p> <p>AM99404900</p>
<p>MM03060</p>  <p>x2</p> <p>AM9941570</p>	<p>MP0315010</p>  <p>x2</p> <p>AM9942--0</p>	<p>MM03030</p>  <p>x2</p> <p>AM9942--0</p> <p>MTP086203</p>  <p>x4</p> <p>AM99412703</p>	<p>MK4093303</p>  <p>x2</p> <p>M99413903</p> <p>AM99414103</p> <p>MTP088203</p>  <p>x2</p> <p>AM99414103</p>	<p>MM03080</p>  <p>x2</p> <p>AM99416-0</p> <p>MK4093703</p>  <p>x4</p> <p>AM9941420</p>		

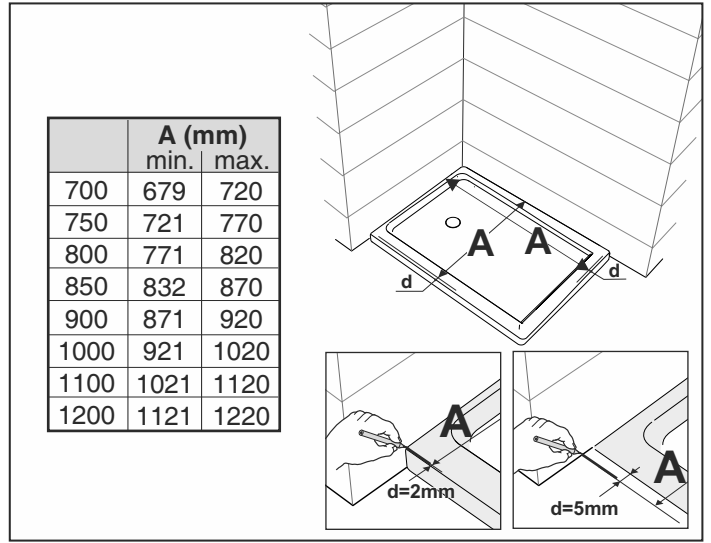




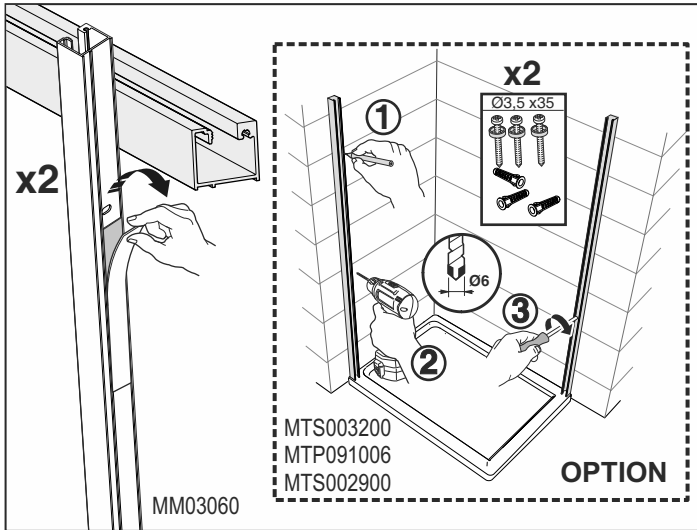
1



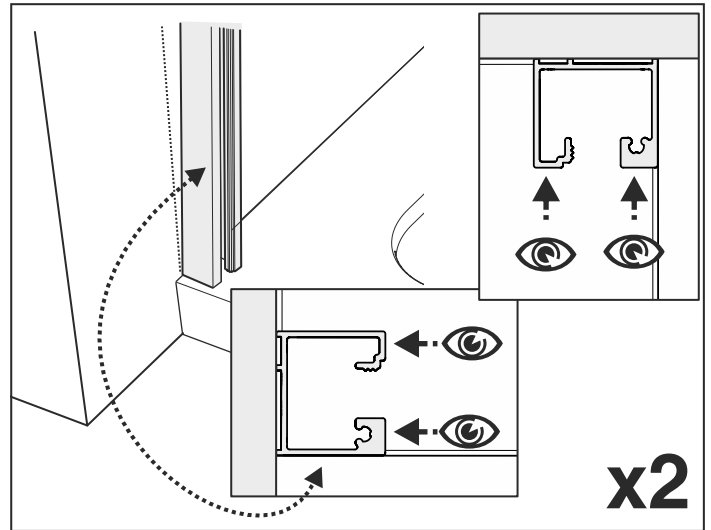
2



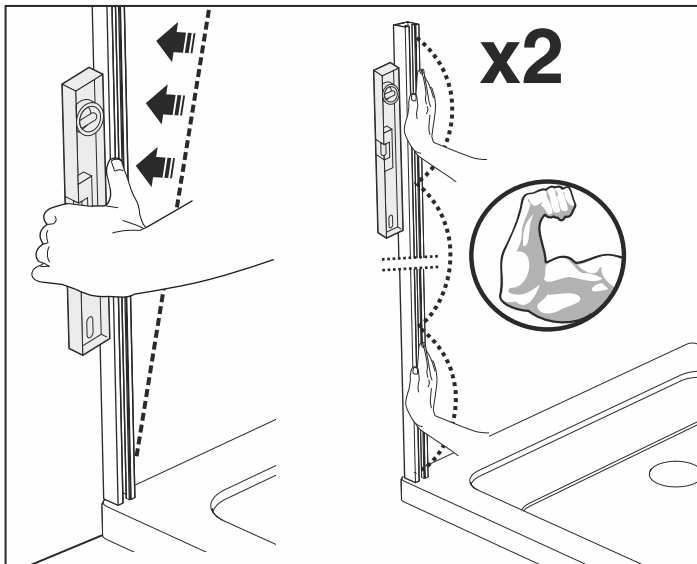
3



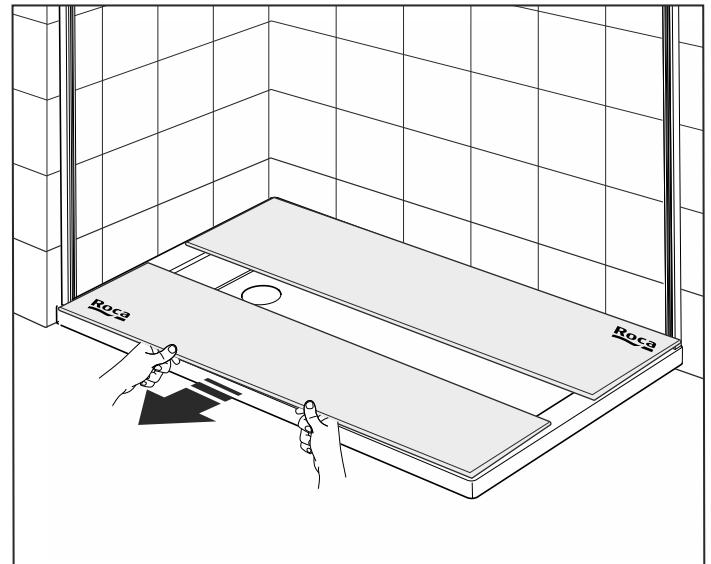
4



5

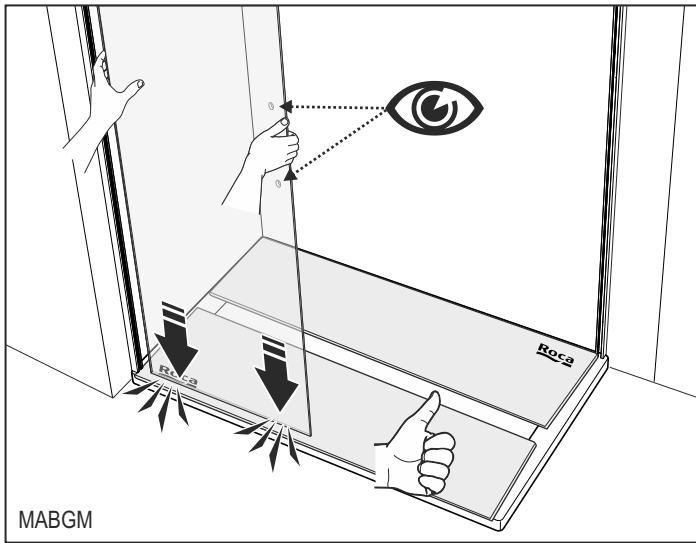


6

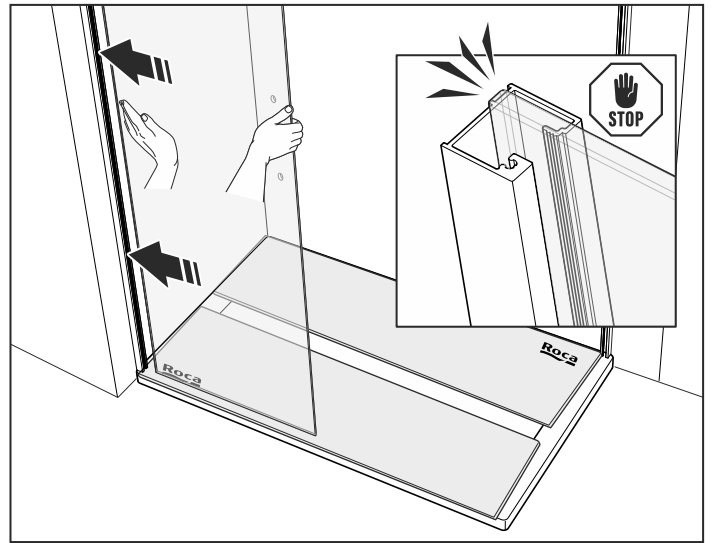




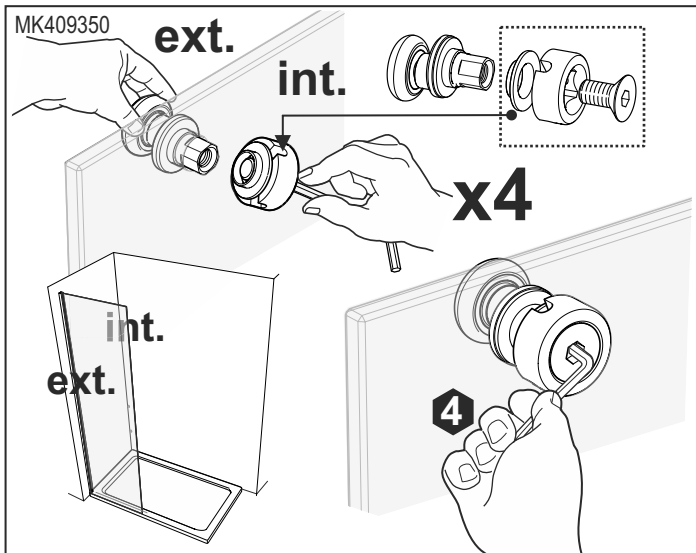
7



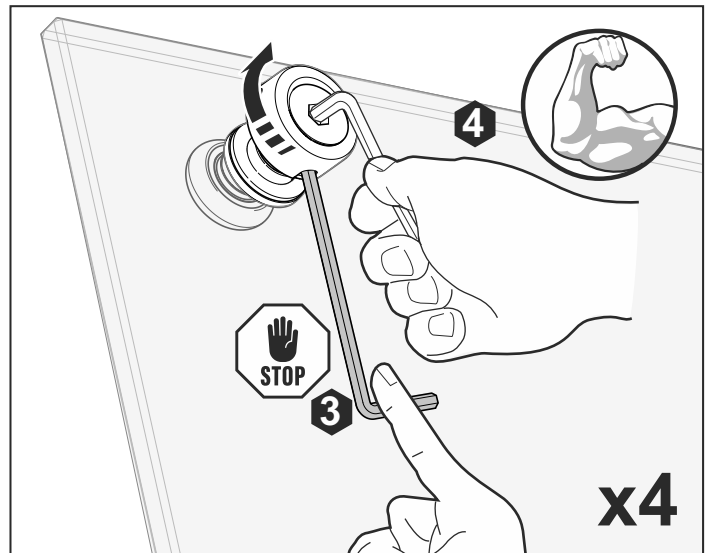
8



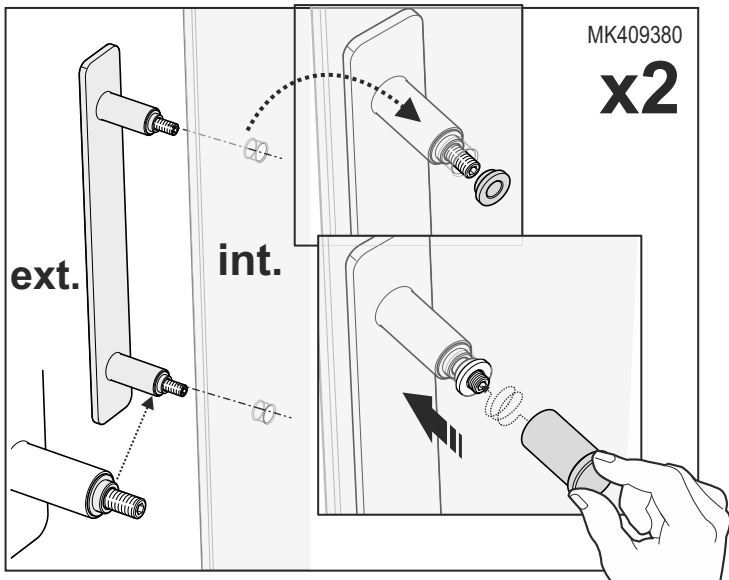
9



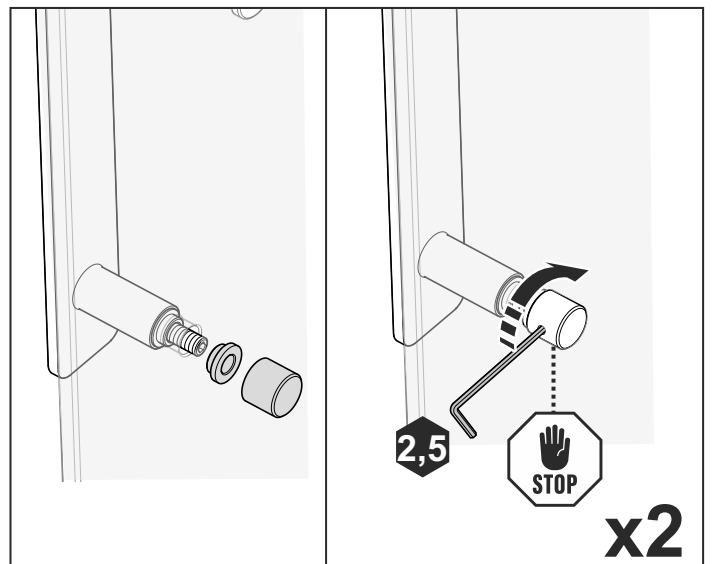
10



11

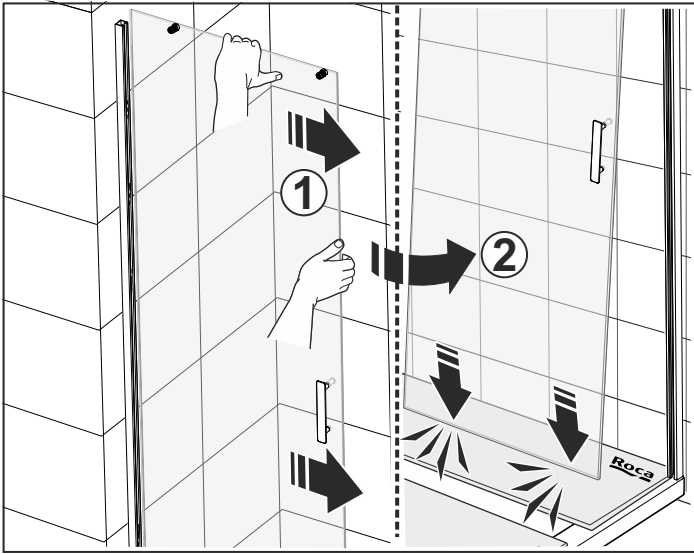


12

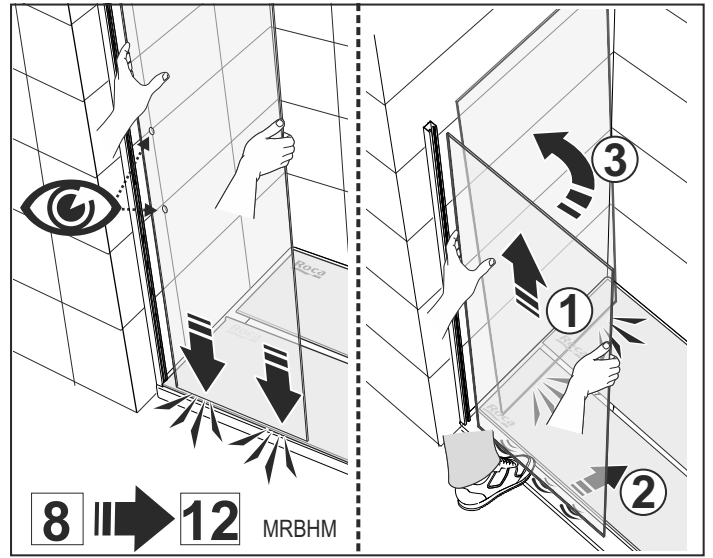




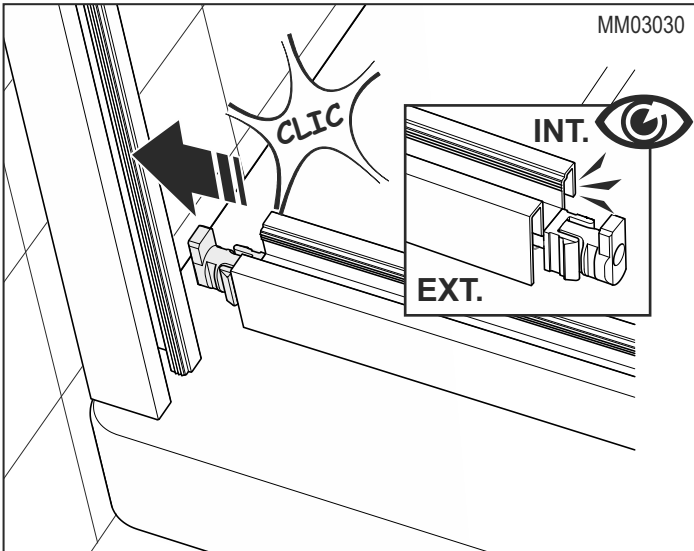
13



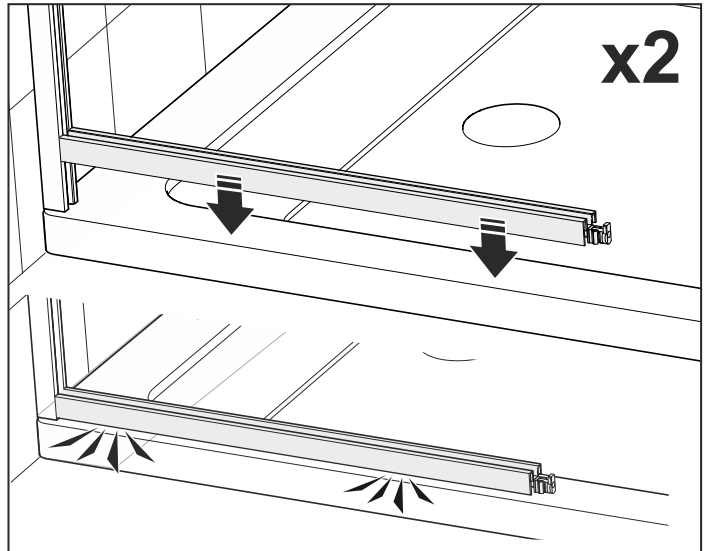
14



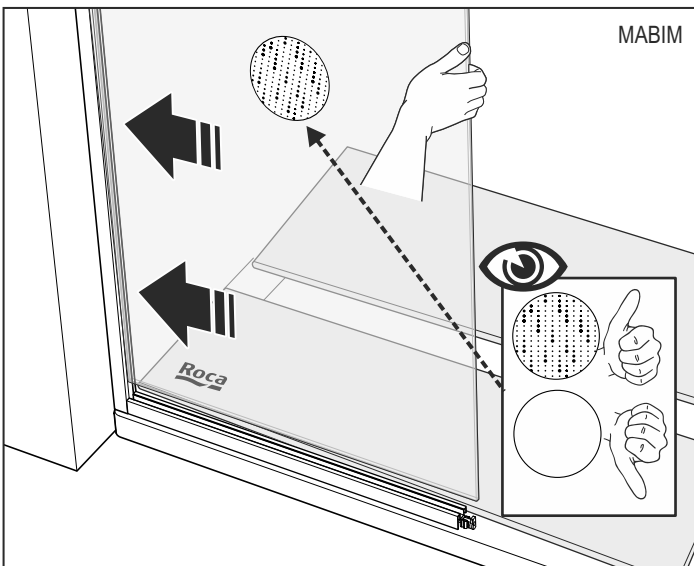
15



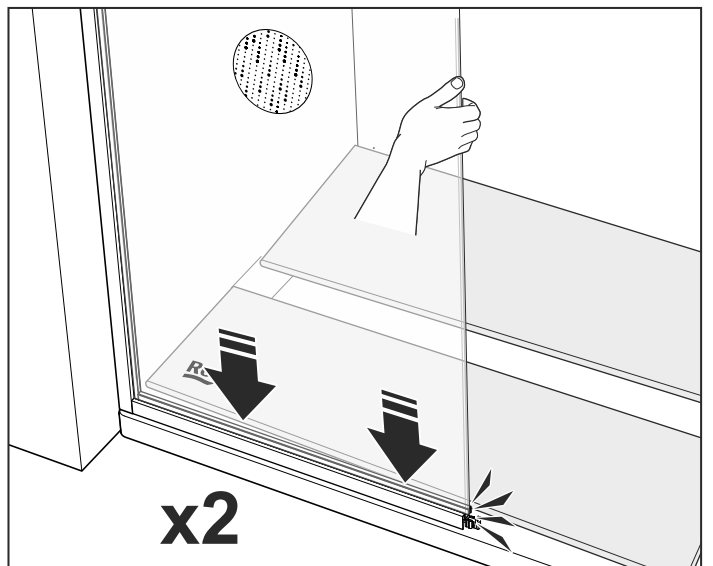
16



17

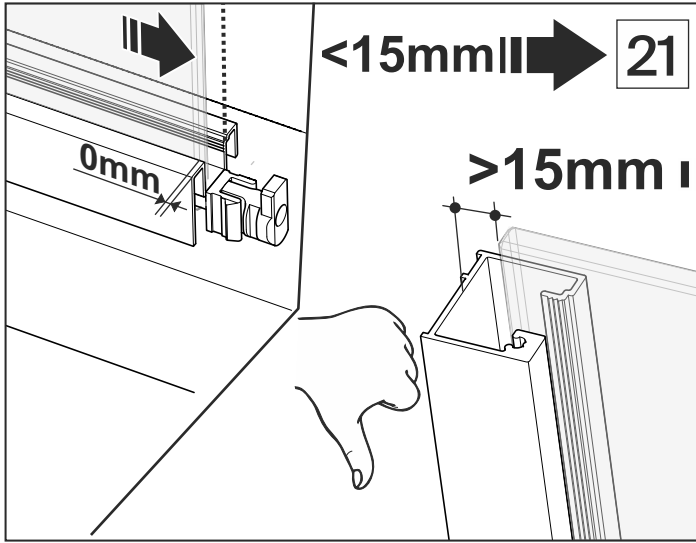


18

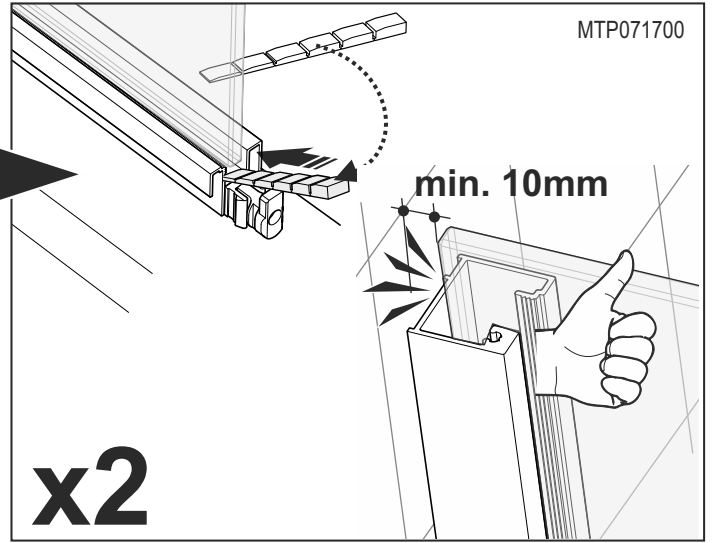




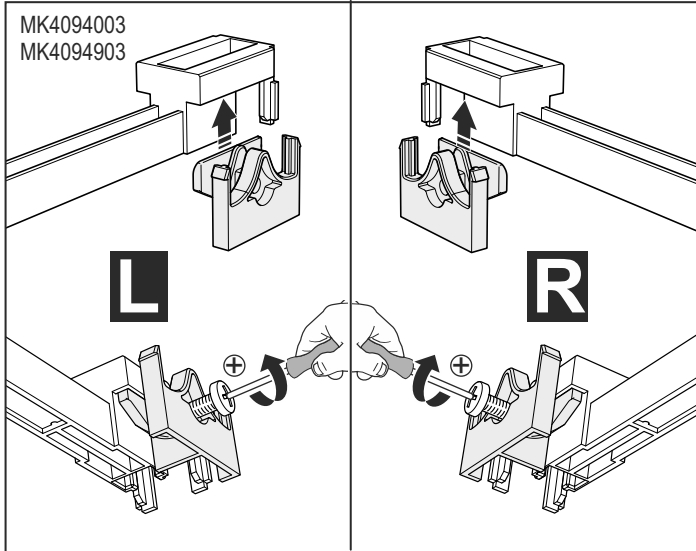
19



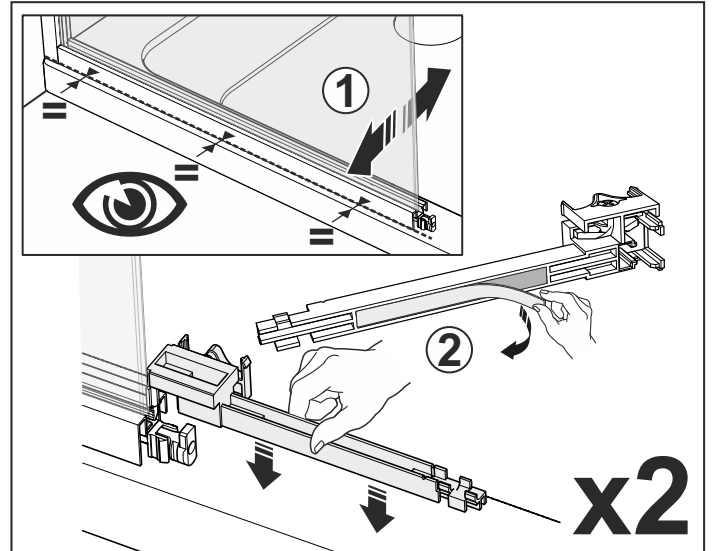
20



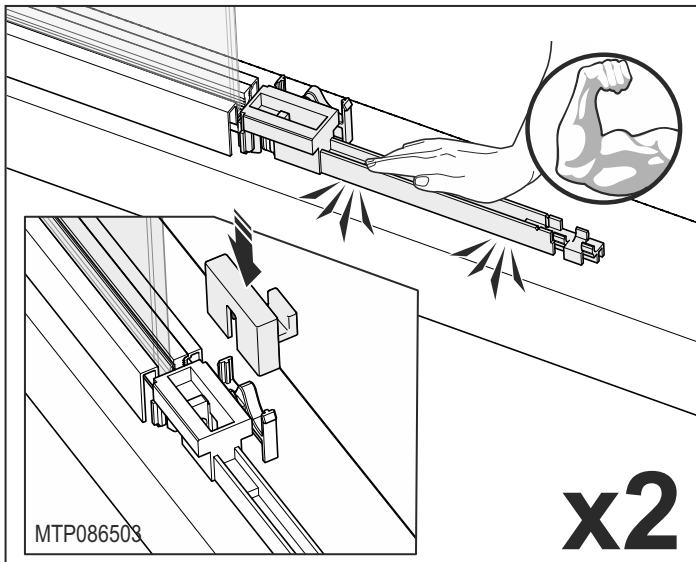
21



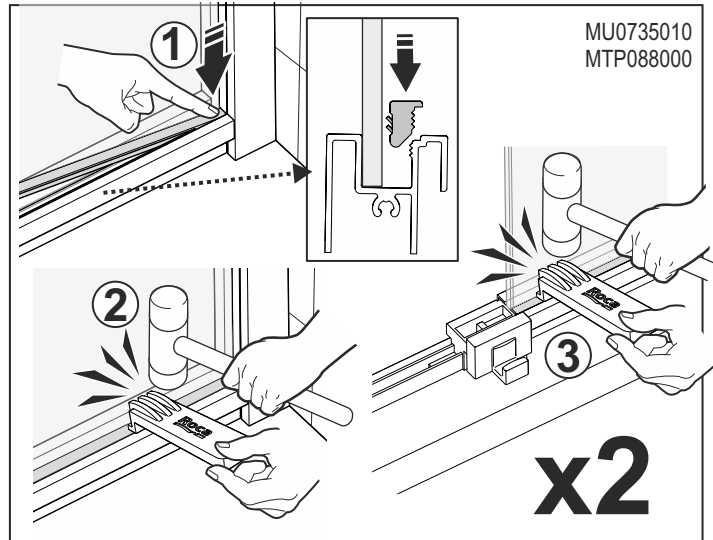
22



23

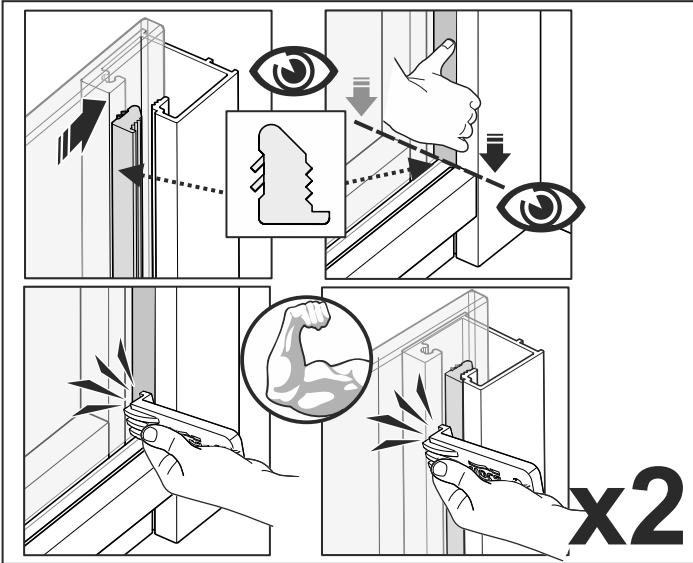


24

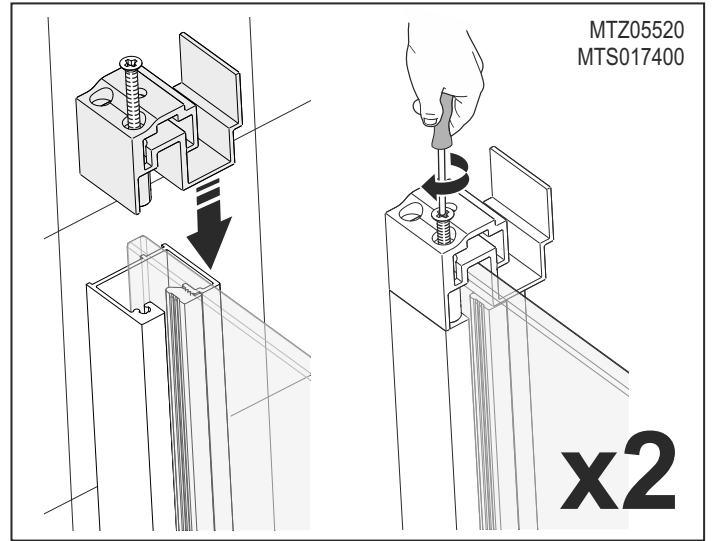




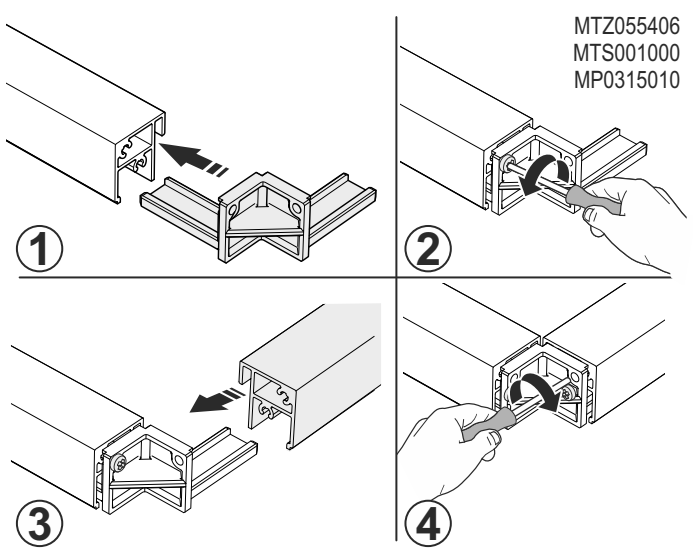
25



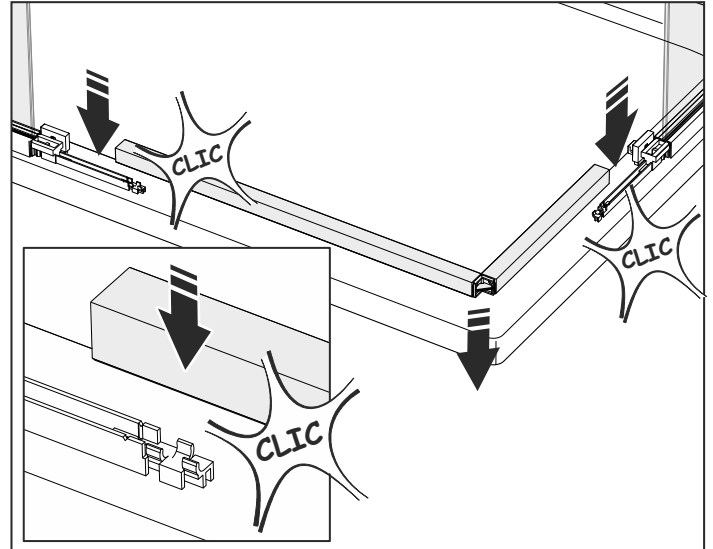
26



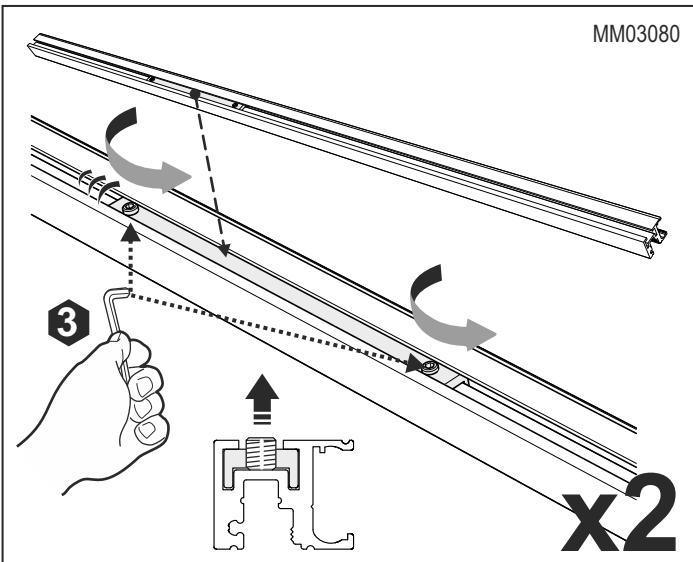
27



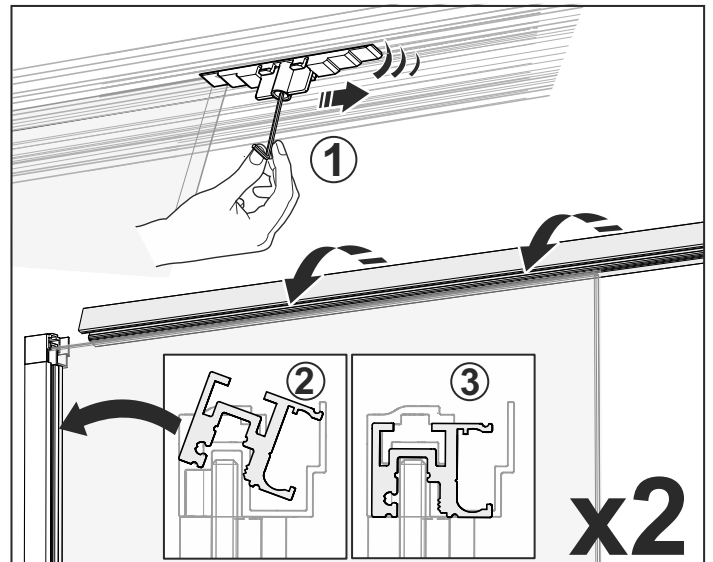
28



29

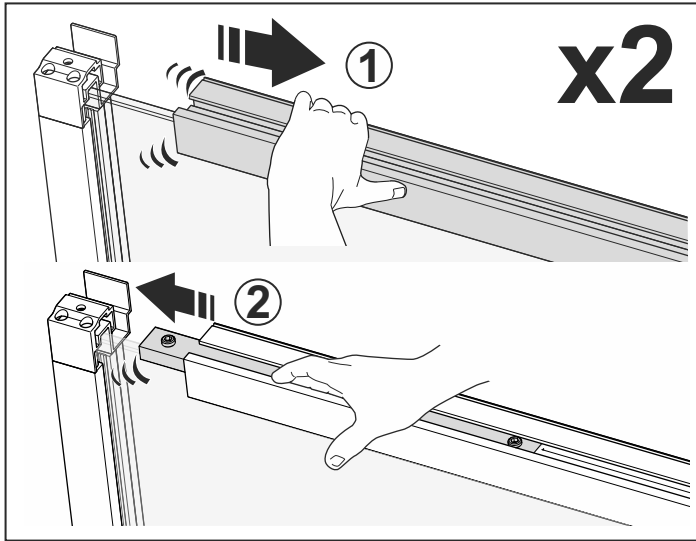


30

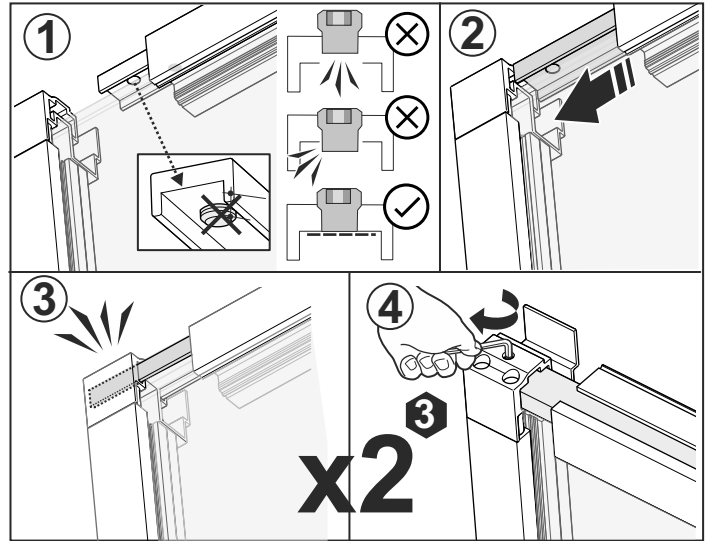




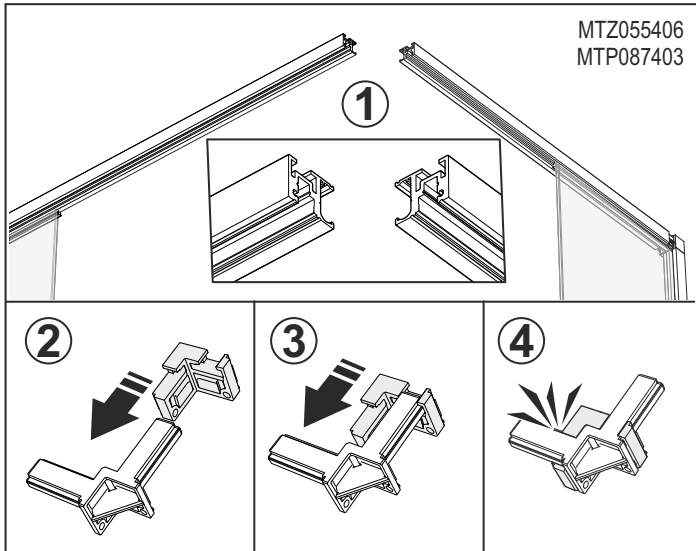
31



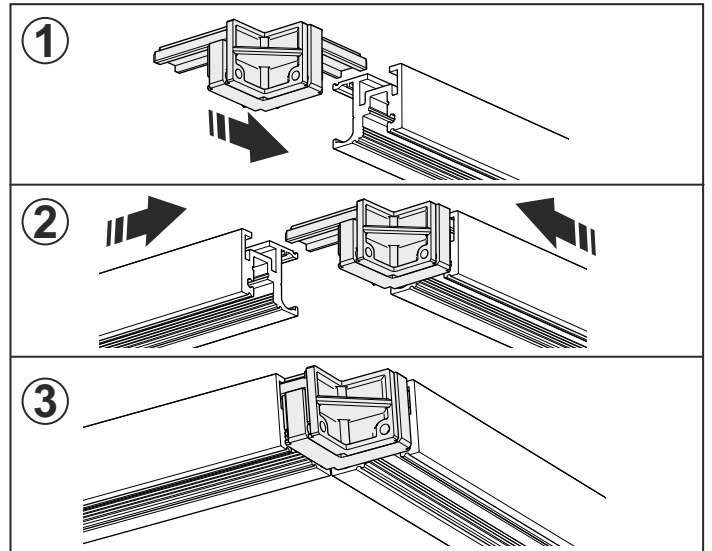
32



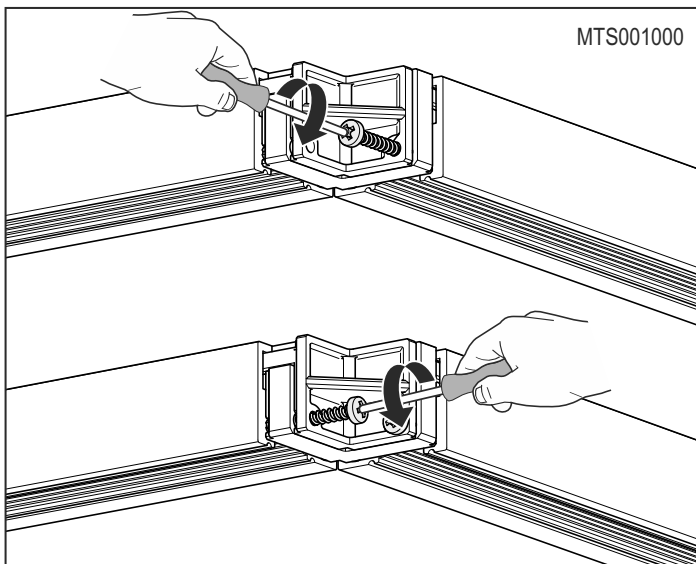
33



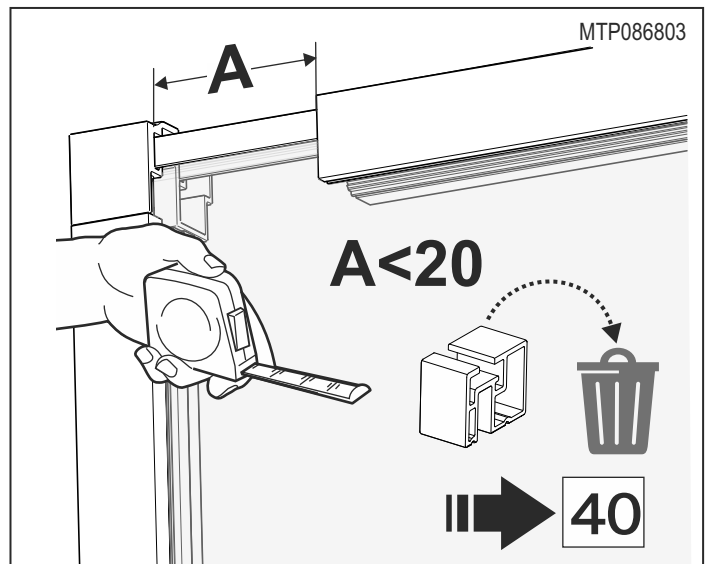
34



35

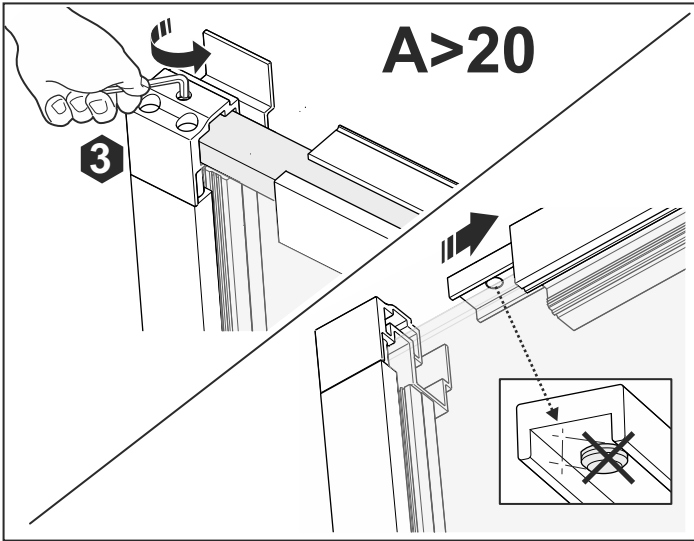


36

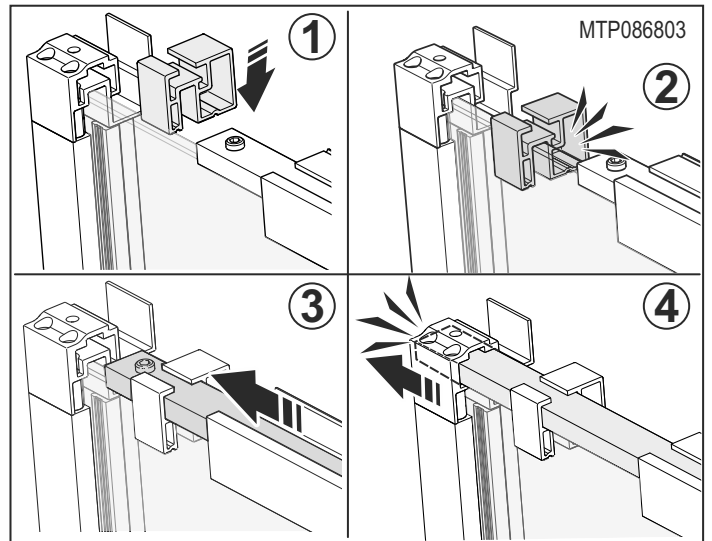




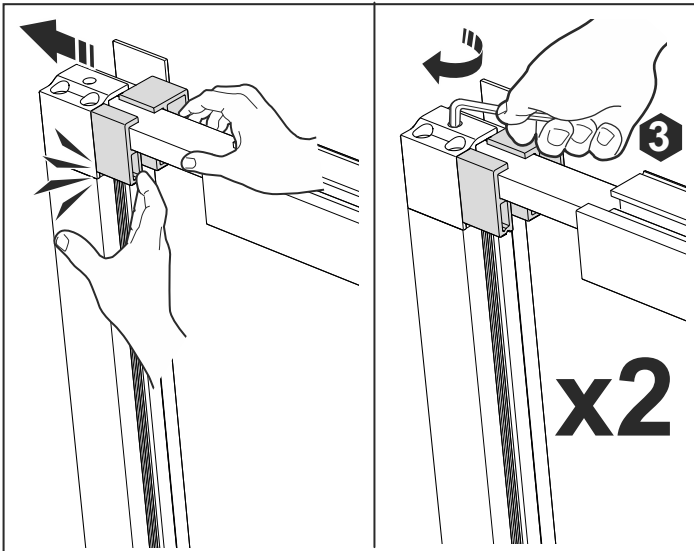
37



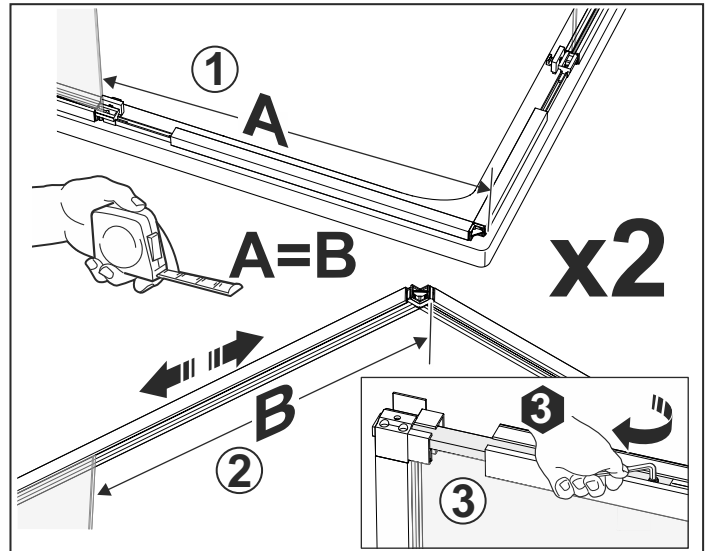
38



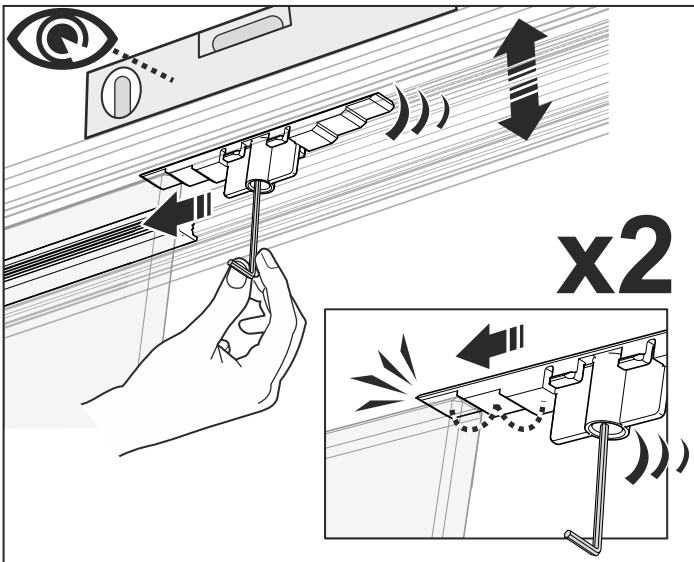
39



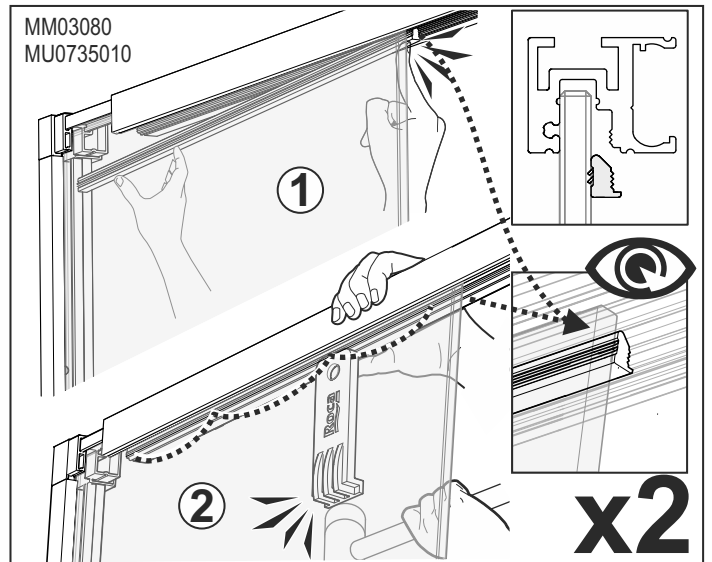
40



41

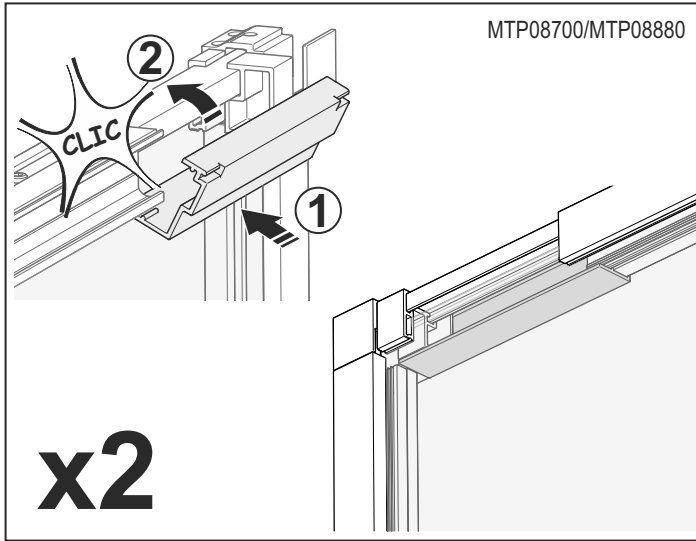


42

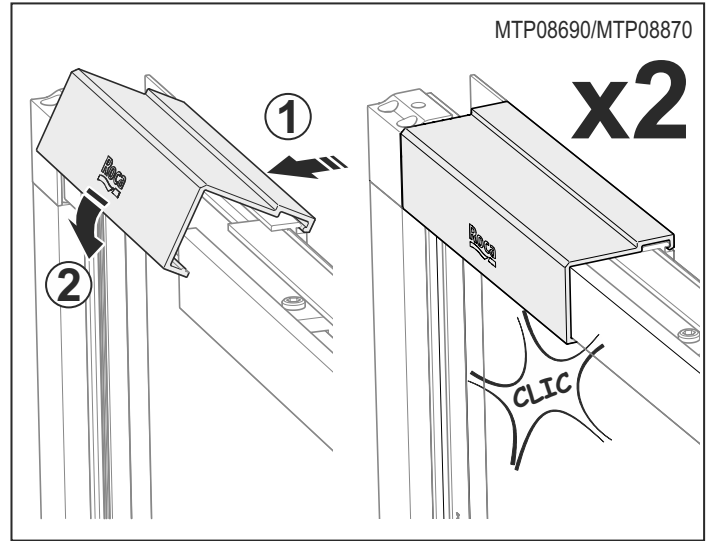




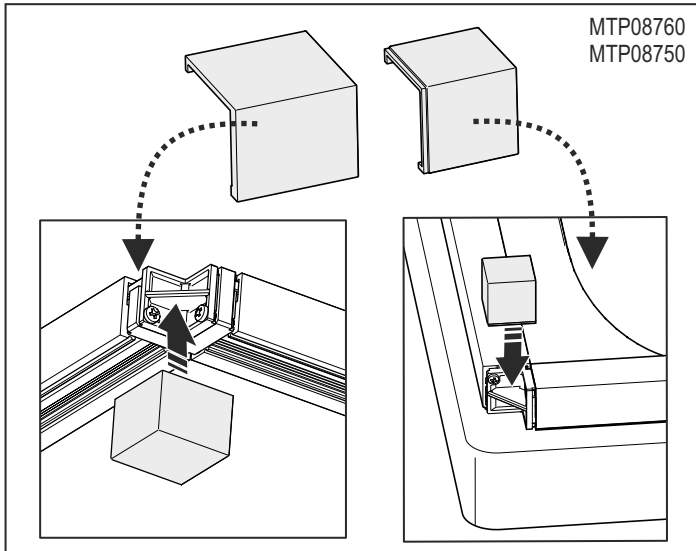
43



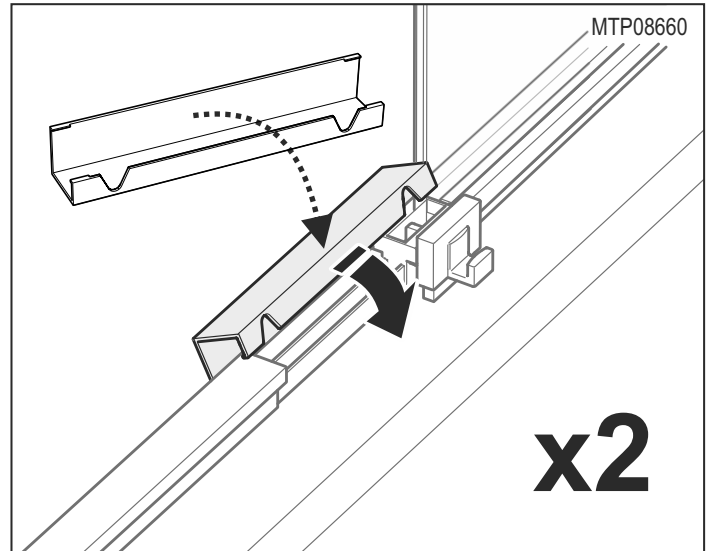
44



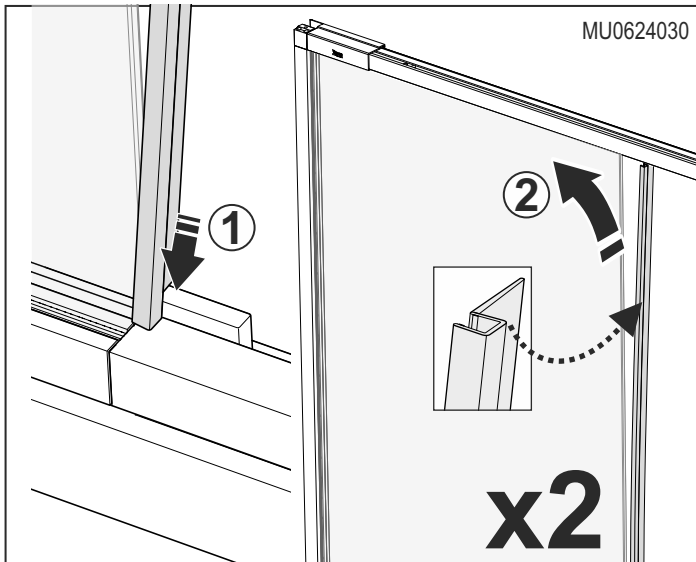
45



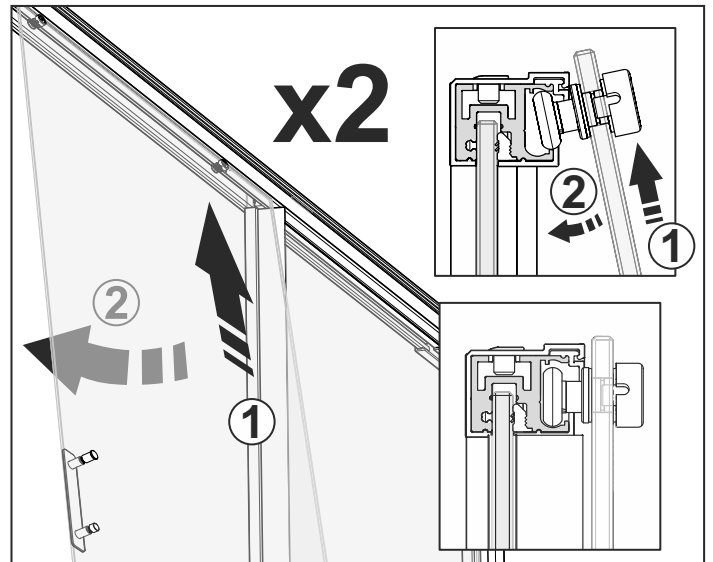
46



47

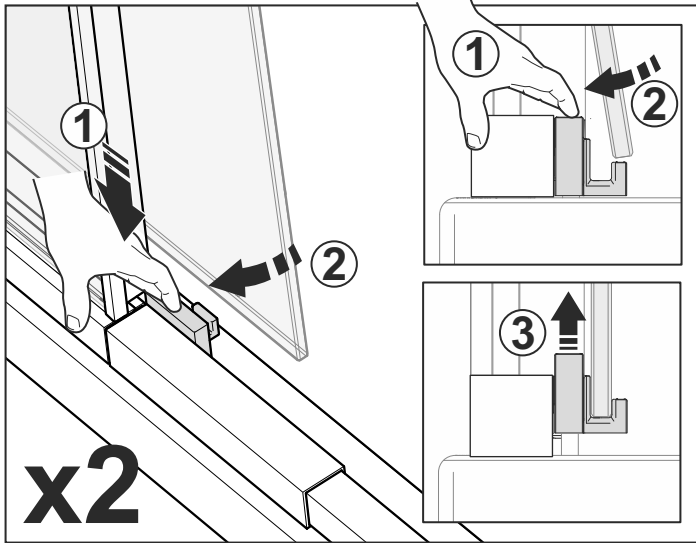


48

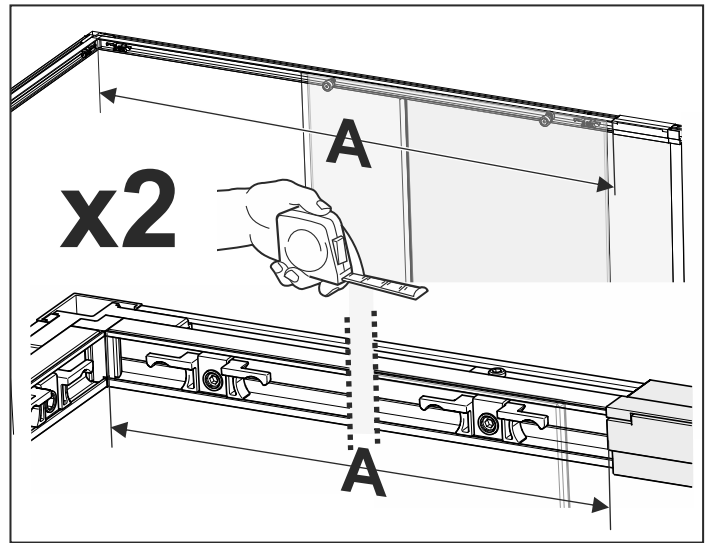




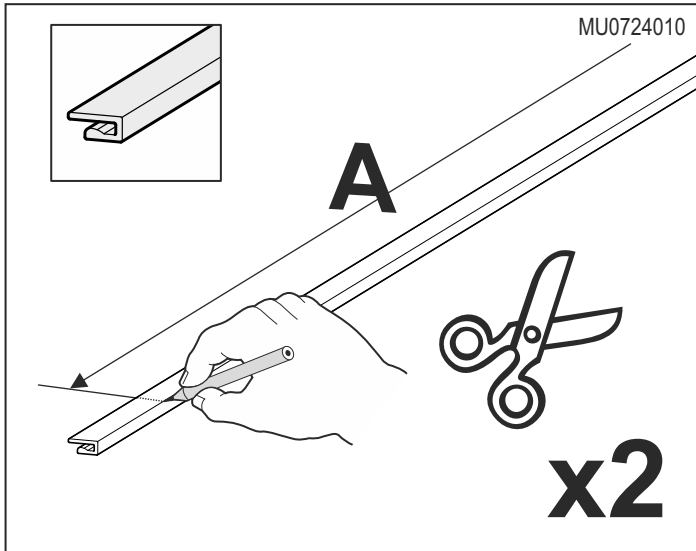
49



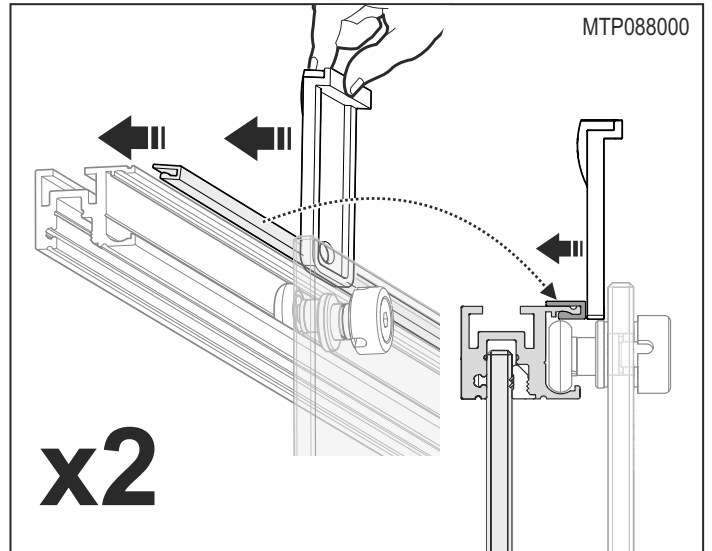
50



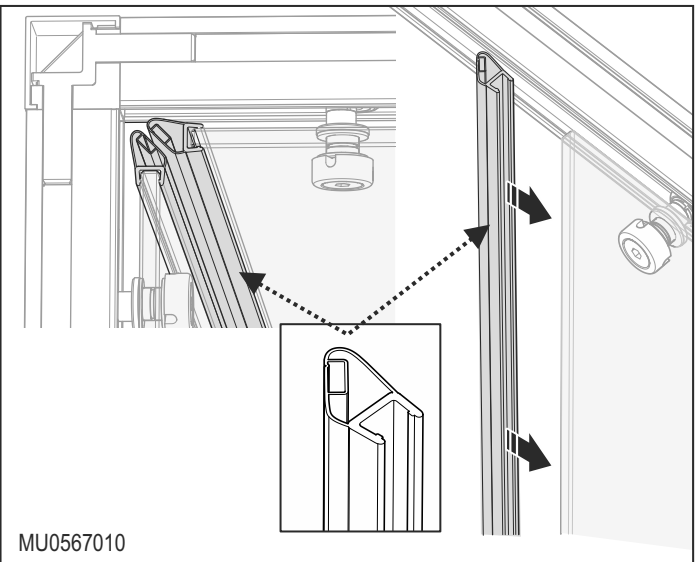
51



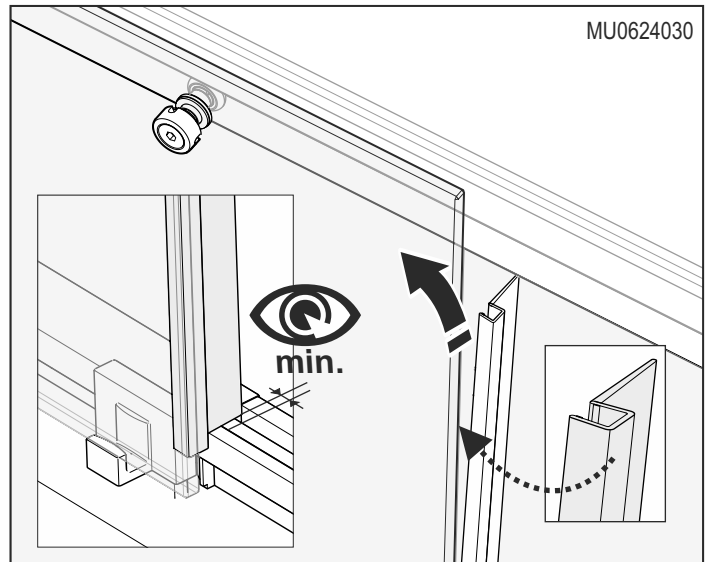
52



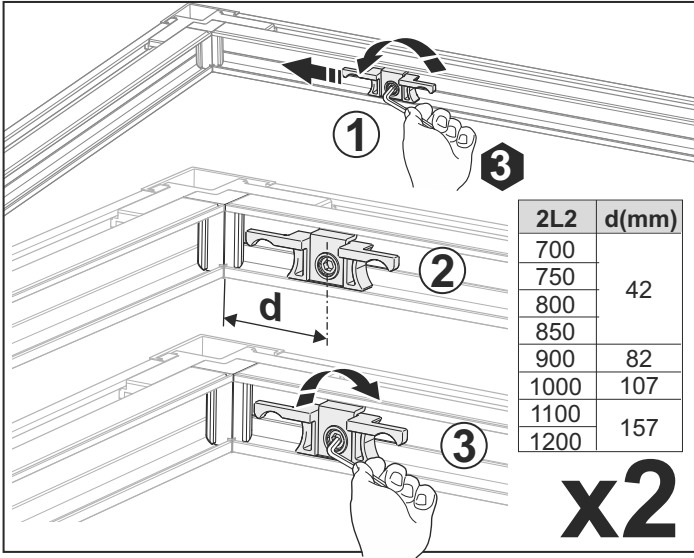
53



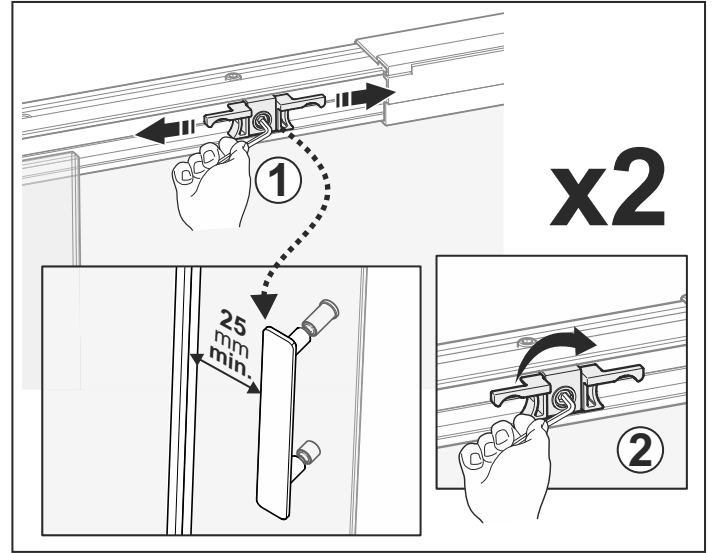
54



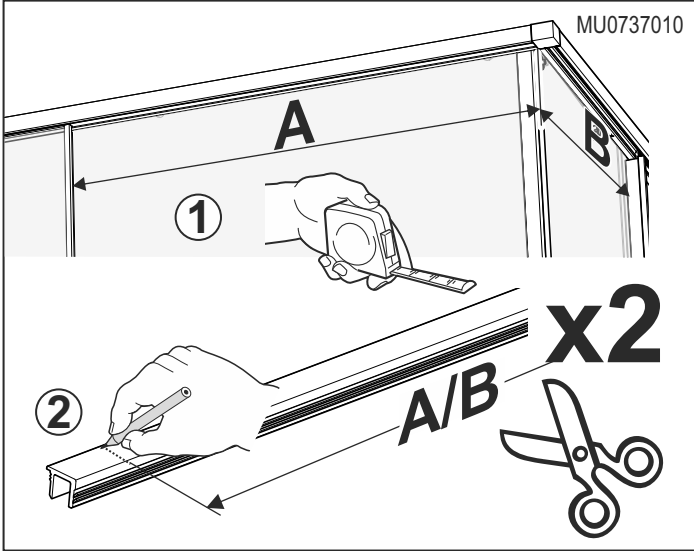
55



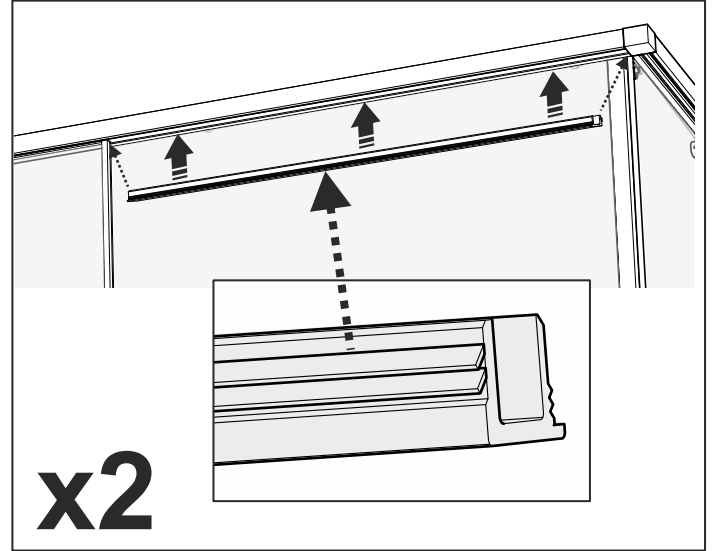
56



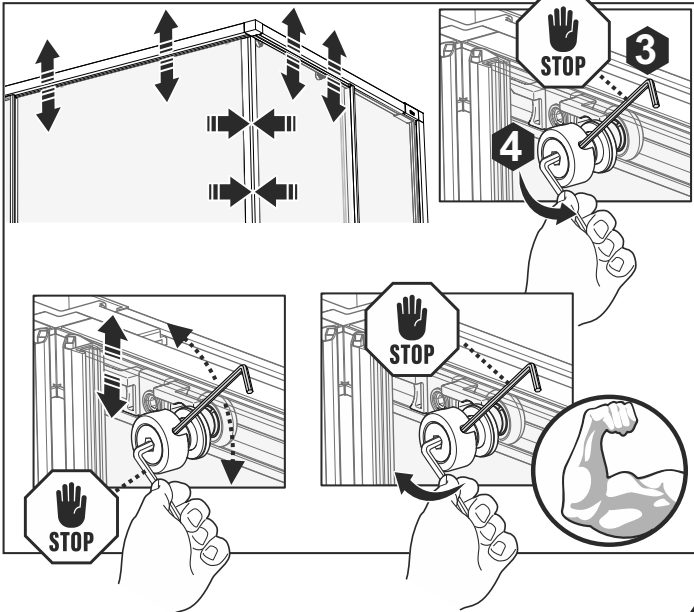
57



58



59



60

