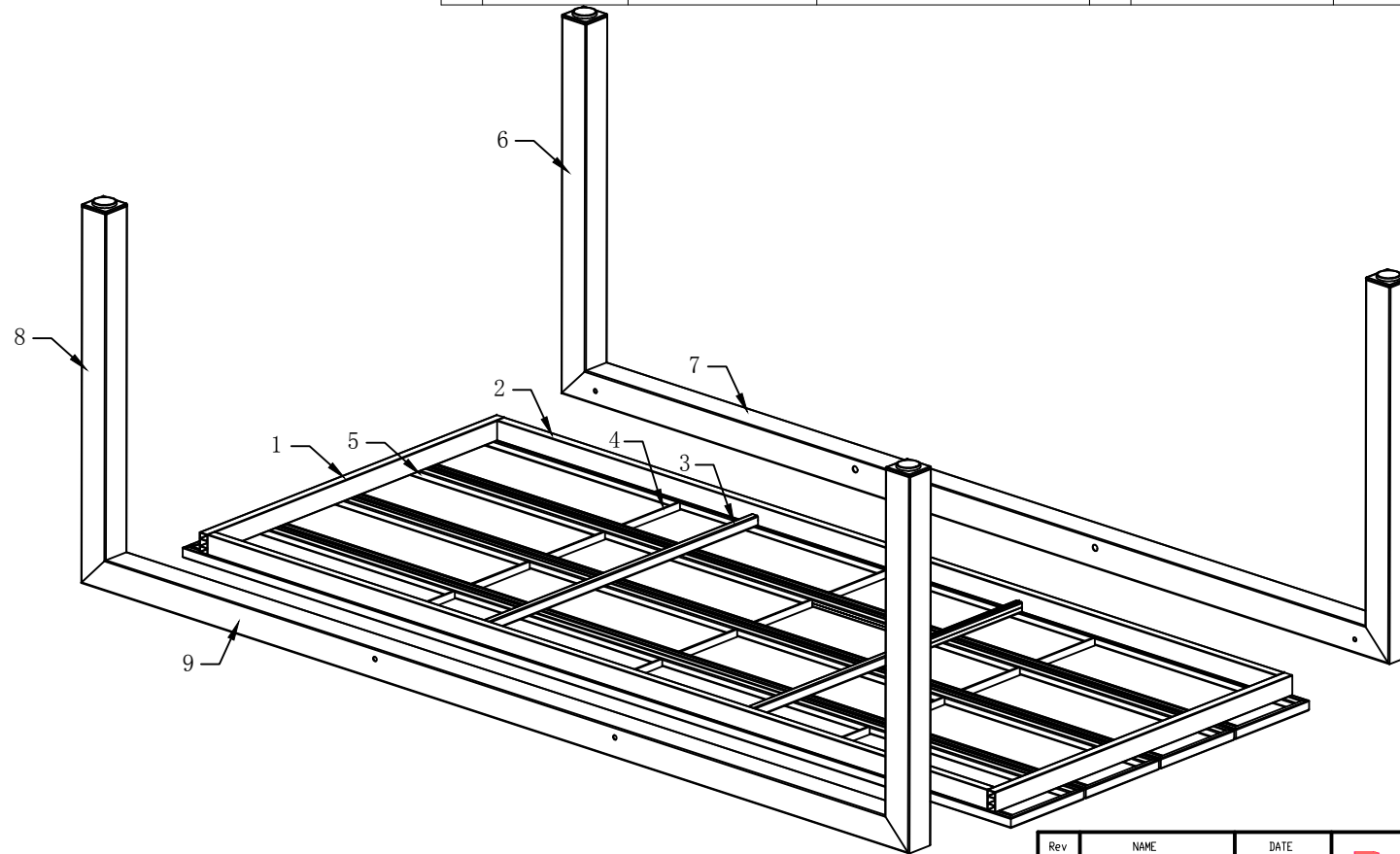
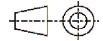


N°	Mould no	ADEO code	Description	Qty	Material	Size	Source of raw material	% of recycled material	surface treatment
1	YJLD-127	2026R09P05-0054	Bottom vertical tube	2	Aluminum	40*20*1.2*810	TAIZHOU		heat-transfer
2	YJLD-127	2026R09P05-0054	Bottom transverse tube	2	Aluminum	40*20*1.2*1930	TAIZHOU		heat-transfer
3	YJLD-464A	2026R09P05-0054	Support tube	2	Aluminum	20*15*1.5*770	TAIZHOU		heat-transfer
4	YJLC-245	2026R09P05-0054	Inner support tube	12	Aluminum	15*3*155	TAIZHOU		heat-transfer
5	YJLD-464A	2026R09P05-0054	Inner long tube	8	Aluminum	20*15*1.5*2040	TAIZHOU		heat-transfer
6	YJLD-448A	2026R09P05-0054	Leg tube A	2	Aluminum	60*60*1.35*740	TAIZHOU		heat-transfer
7	YJLD-448A	2026R09P05-0054	Leg transverse tube A	1	Aluminum	60*60*1.35*2050	TAIZHOU		heat-transfer
8	YJLD-448A	2026R09P05-0054	Leg tube B	2	Aluminum	60*60*1.35*740	TAIZHOU		heat-transfer
9	YJLD-448A	2026R09P05-0054	Leg transverse tube B	1	Aluminum	60*60*1.35*2050	TAIZHOU		heat-transfer
10	CP-1400	2026R09P05-0054	adjustable feet	4	Copolymerization				
11	MP-0428	2026R09P05-0054	adjustable feet	4	Copolymerization				



Rev	NAME	DATE
01		
02		
03		
04		
05		
06		


 ADEO -135, rue Sadi Carnot
 CS 00001 - 59790 RONCHIN
 FRANCE
 MATERIAL/FINISHING

GENERAL TOLERANCES: LINEAR: ANGULAR:		
TITRE: DINING TABLE MATERIAL OKINAWA FIX 6P ALU LARGE STRAPS 205X94 BEIGE		
No. DE PLAN	3276007945584	
ECHELLE: 1:1	(Scale can be adapted)	Dimensions in mm
		A3 REVISION