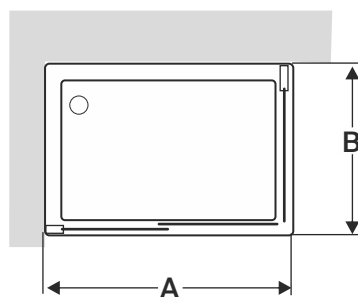
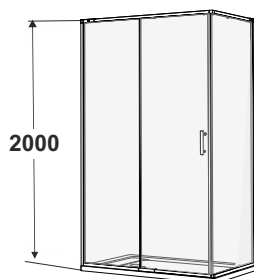
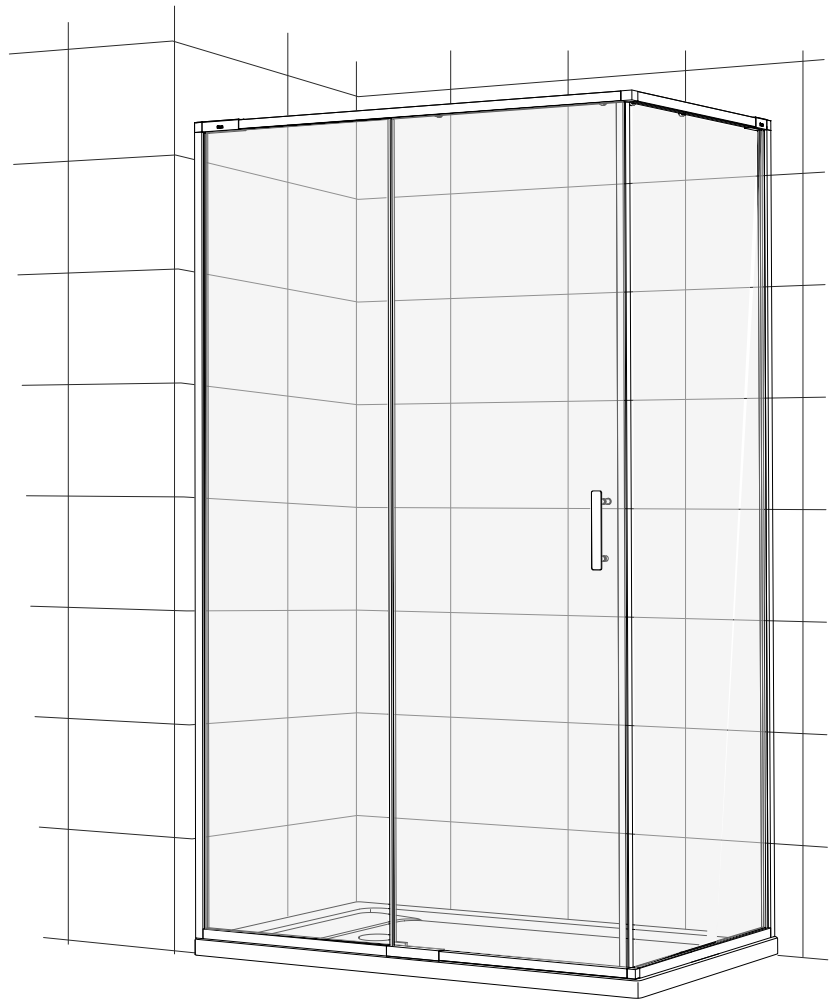


Victoria Plus

L2-E + LF-C



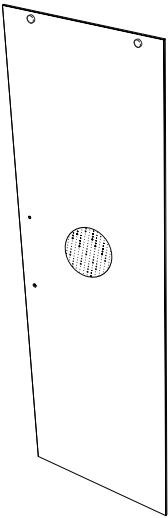
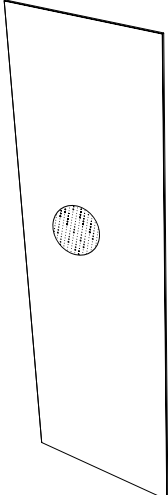
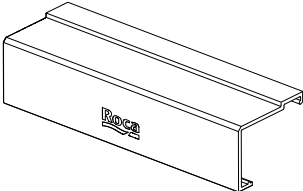
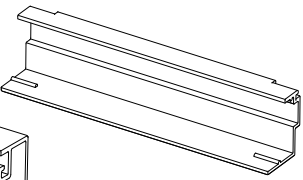
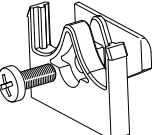

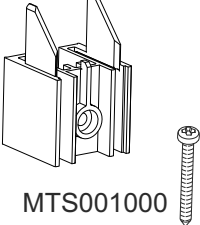
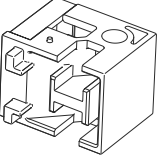
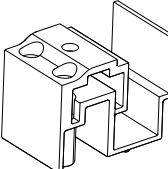

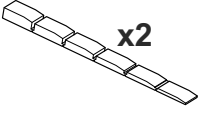
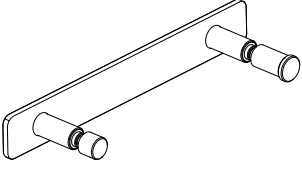
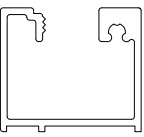
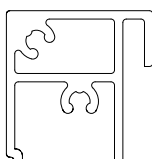
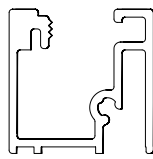

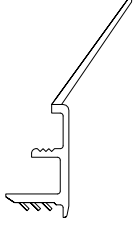

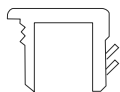
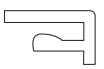
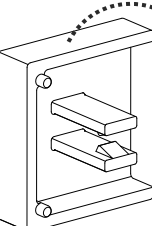
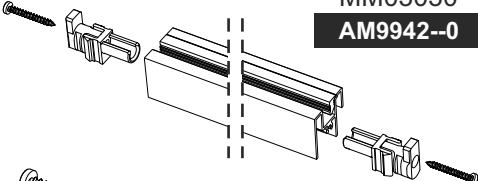
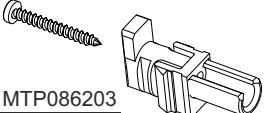


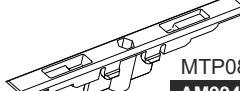
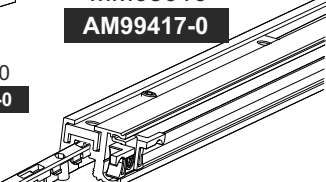
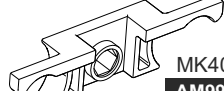
AM12B...
AM12C..



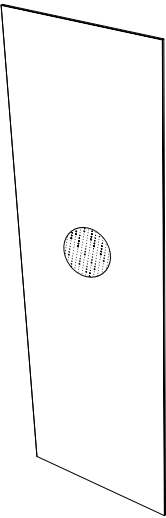

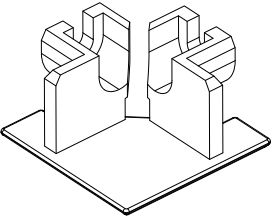
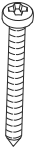
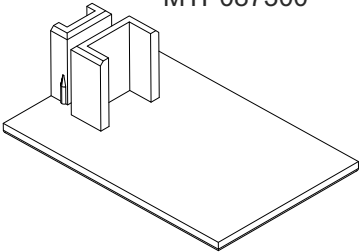

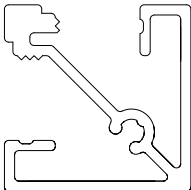
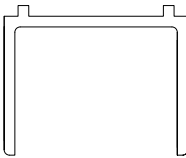
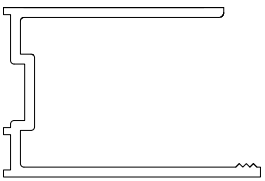
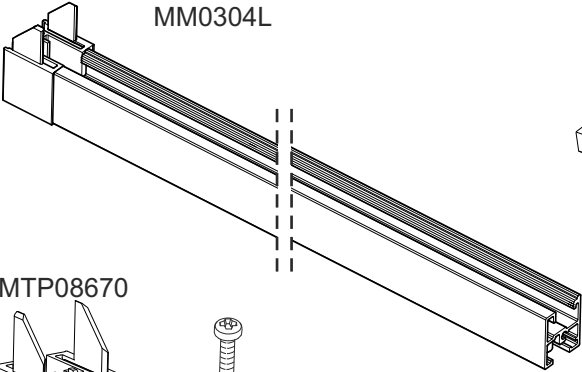
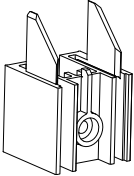
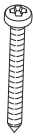
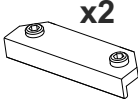
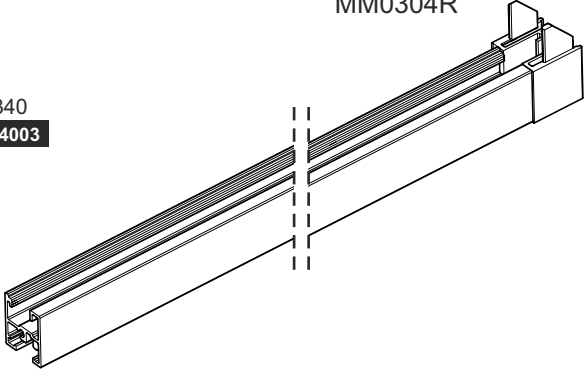
L2-E	A	
	min	máx.
1000	970	1020
1100	1021	1120
1200	1121	1220
1300	1221	1320
1400	1321	1420
1500	1421	1520
1600	1521	1620
1700	1621	1720
1800	1721	1820

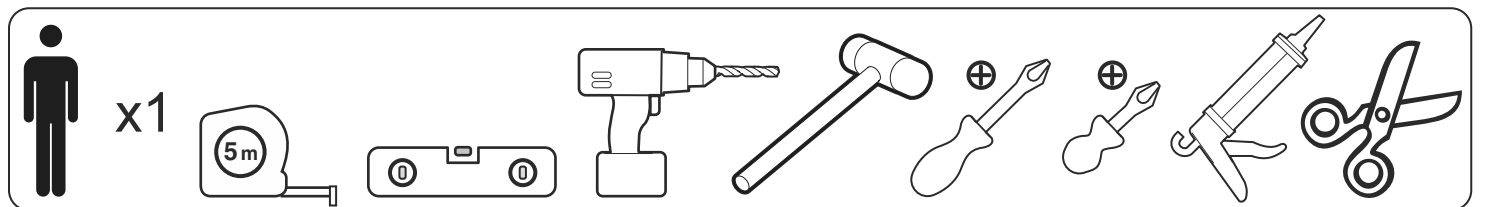
LF-C	B	
	min	máx.
700	685	710
750	735	760
800	785	810
900	885	910

L2-E

<p>MABFM</p>  <p>AM9942--M0</p>	<p>MABIM</p>  <p>AM994---M0</p>	<p>MTS003200 x6</p> <p>MTP091006 x6</p> <p>MTS002900 x6</p> <p>AM99412000</p>		<p>MTS001900</p> <p>MTS002000</p> <p>MTS006100</p> <p>AM99412403</p>			
<p>MTP08690</p>  <p>AM9941330</p>		<p>MTP08700</p>  <p>MTP086803</p> <p>AM9941320</p>	<p>MK4094003</p>  <p>AM99412503</p>	<p>MTP086503</p> 	<p>MTP08670</p>  <p>MTS001000</p> <p>AM9941260</p>		
<p>MTZ05530</p>  <p>AM9941380</p>	<p>MTS017400</p>  <p>AM9941370</p>	<p>MK409350</p>  <p>x2</p> <p>AM9941440</p>	<p>MTP071700</p>  <p>x2</p> <p>AM99412200</p>	<p>MK409380</p>  <p>AM9941450</p>			
<p>MM03060</p>  <p>AM9941570</p>	<p>MP0315010</p>  <p>AM9942--0</p>	<p>MM03050</p>  <p>AM9941580</p>	<p>MU0624030</p>  <p>x2</p> <p>AM99414900</p>	<p>MU0749010</p>  <p>AM99415000</p>	<p>MU0735010</p>  <p>x3</p> <p>AM99414806</p>	<p>MU0737010</p>  <p>AM99415200</p>	<p>MU0745010</p>  <p>AM99415300</p>
<p>MTP08710</p>  <p>AM9941360</p>	<p>MM03030</p>  <p>AM9942--0</p> <p>MTP086203</p>  <p>AM99412703</p>		<p>MK4093303</p>  <p>M99413903</p> <p>MM03010</p>  <p>AM99417-0</p> <p>MTP088203</p>  <p>AM99414103</p>		<p>MM03010</p>  <p>AM99417-0</p> <p>MK4093703</p>  <p>x2</p> <p>AM9941420</p>		

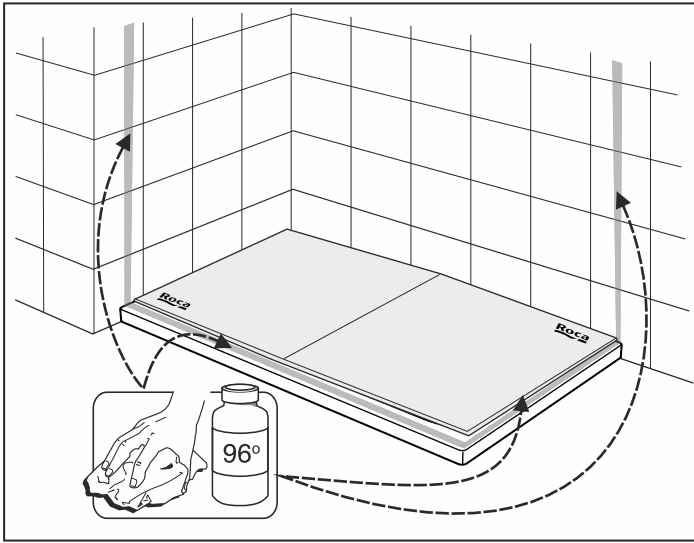
LF-C

<p>MABKM</p>  <p>AM99424-M0</p>	<p>MTS001300</p>  <p>AM99348000</p>	<p>MTP087203</p>  <p>AM99412803</p> <p>MTS001000</p> 	
		<p>MTP087300</p>  <p>AM99413500</p>	
<p>MU0735010</p>  <p>x4</p> <p>AM99414806</p>	<p>MP0318010</p>  <p>AM9941600</p>	<p>MP0320010</p>  <p>AM9941610</p>	<p>MM03070</p>  <p>AM9941590</p>
<p>MM0304L</p>  <p>MTP08670</p>  <p>MTS001000</p>  <p>AM9941260</p> <p>x2</p> <p>MK409340</p> <p>AM99414003</p>  <p>MM0304R</p>  <p>AM99418-</p>			



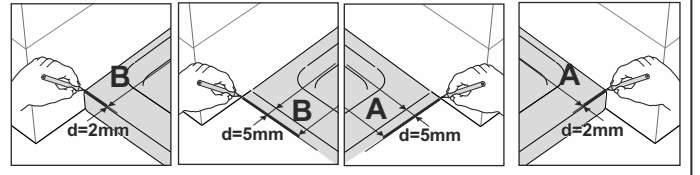
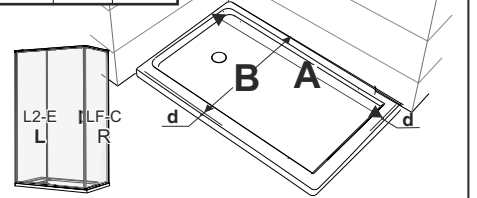


1

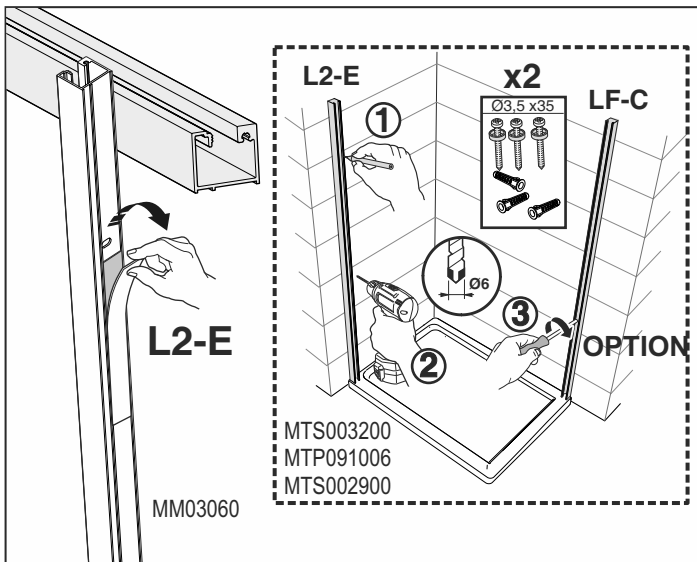


2

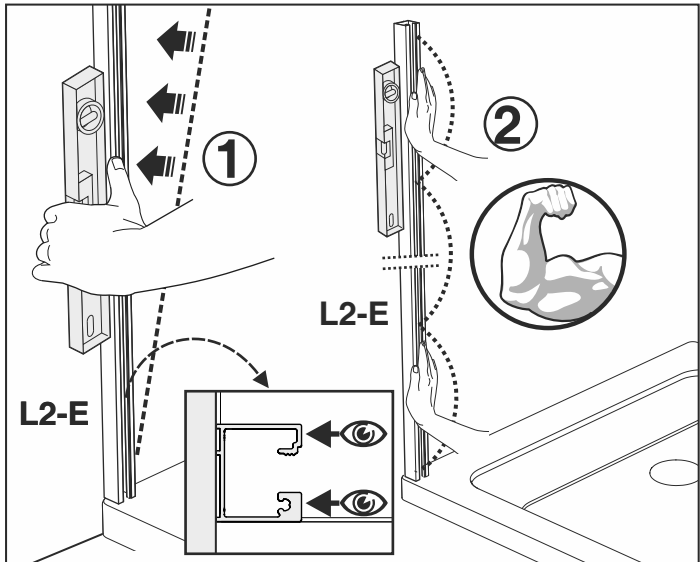
L2-E	A (mm)		LF-C	B (mm)	
	min	max.		min	max.
1000	970	1020	700	685	710
1100	1021	1120	750	735	760
1200	1121	1220	800	785	810
1300	1221	1320	850	835	860
1400	1321	1420			
1500	1421	1520			
1600	1521	1620			
1700	1621	1720			
1800	1721	1820			



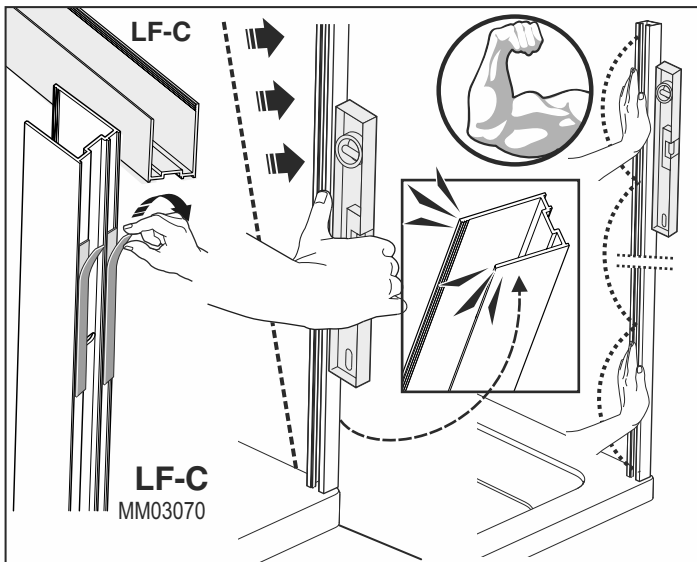
3



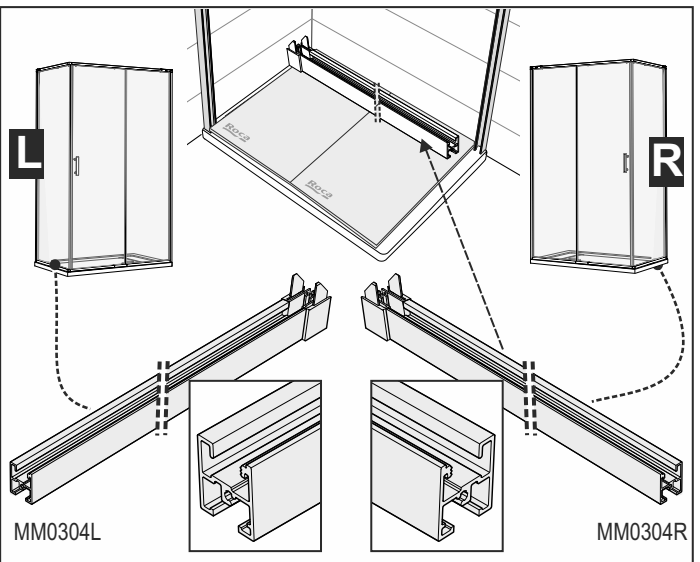
4



5

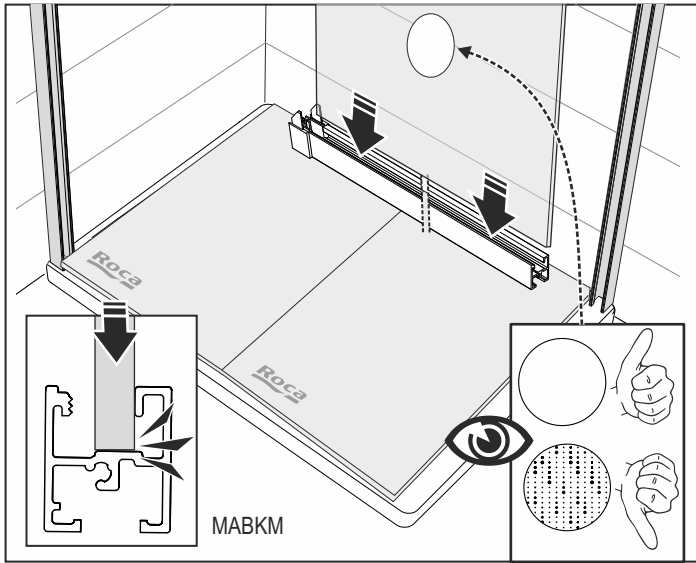


6

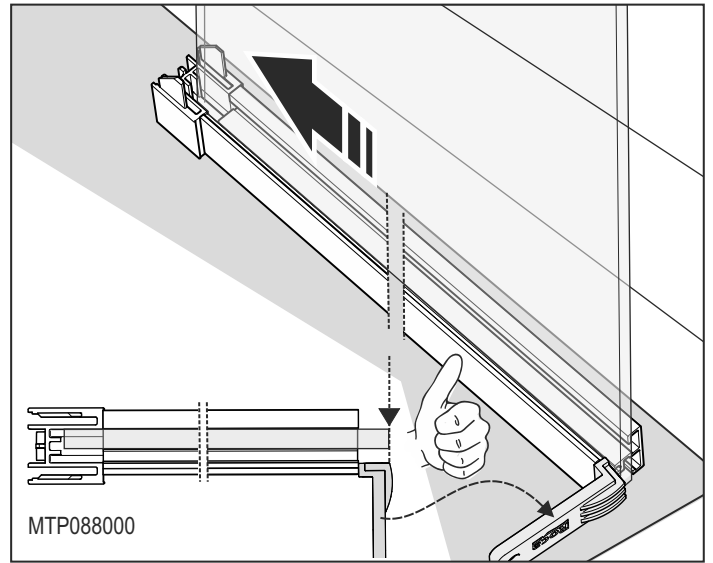




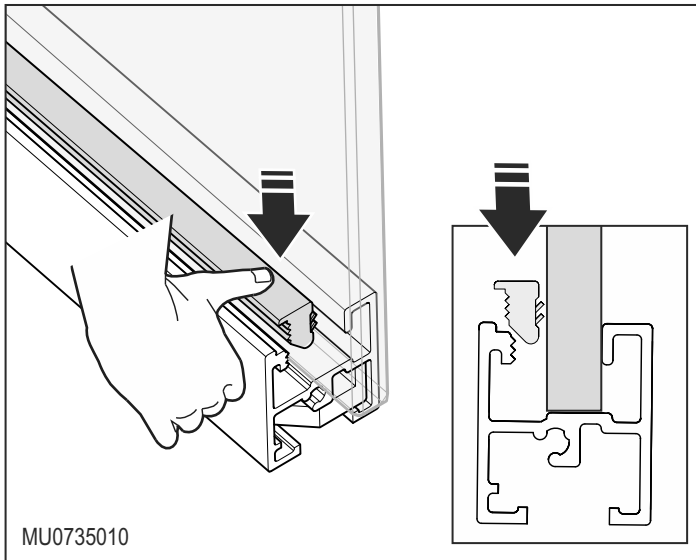
7



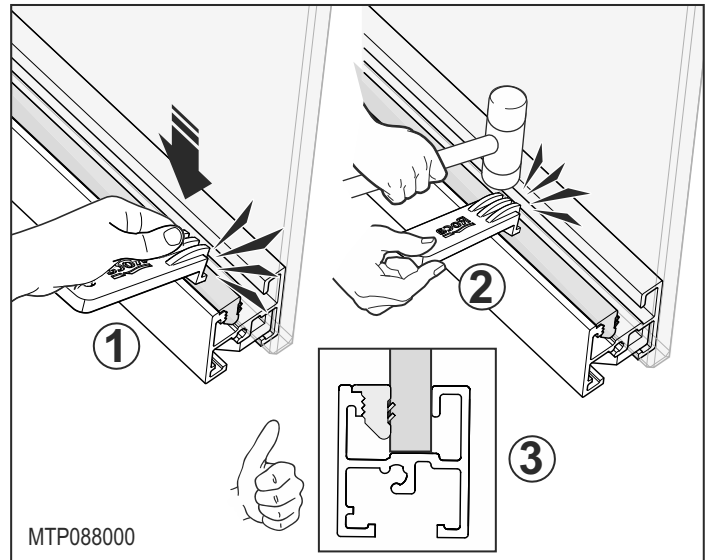
8



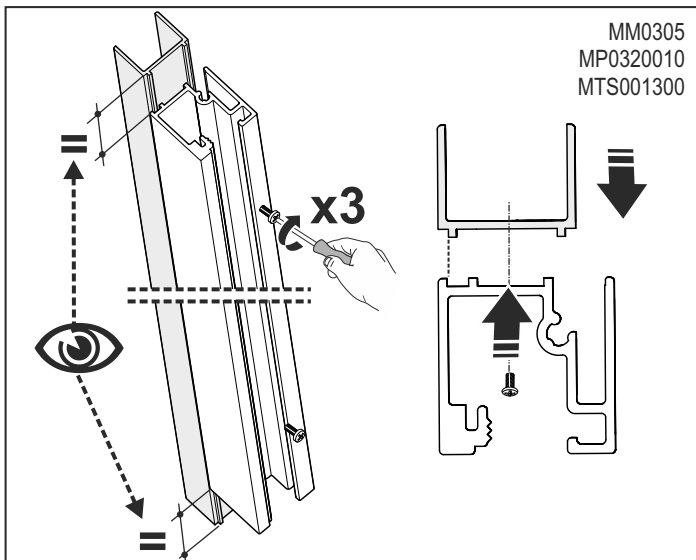
9



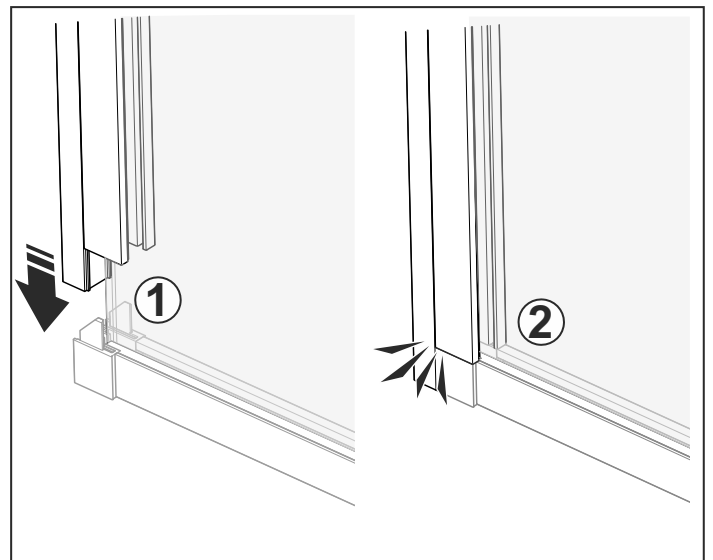
10



11

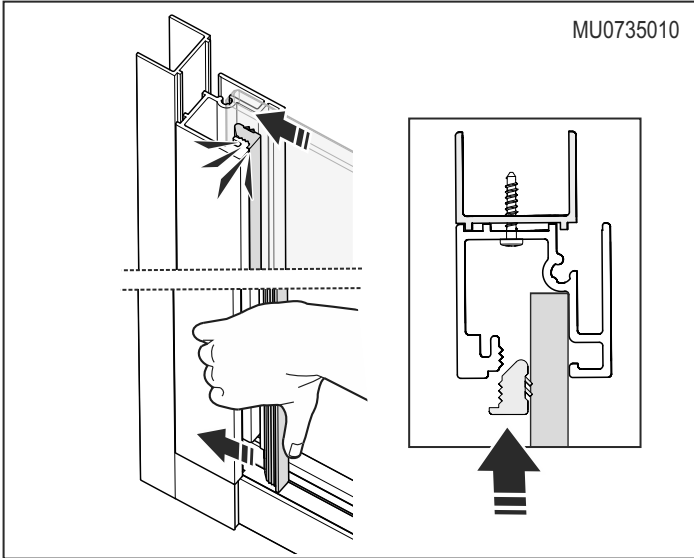


12

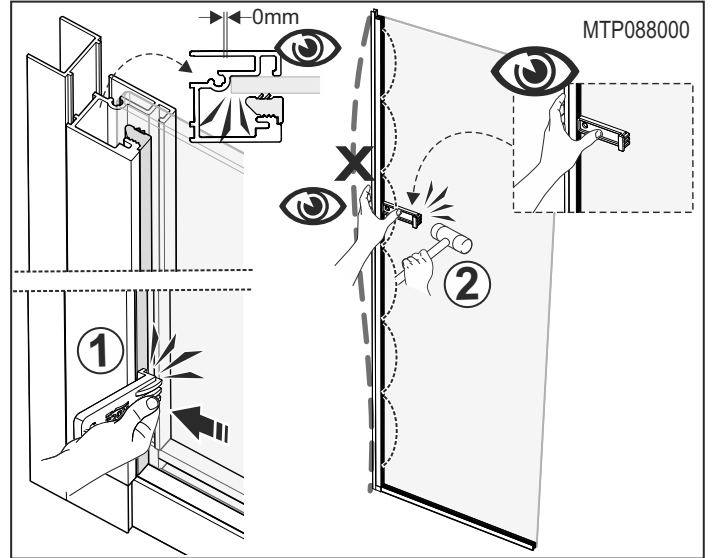




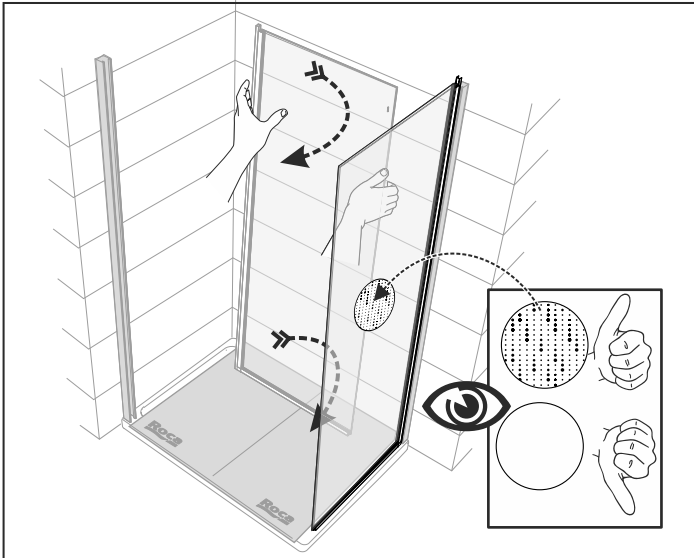
13



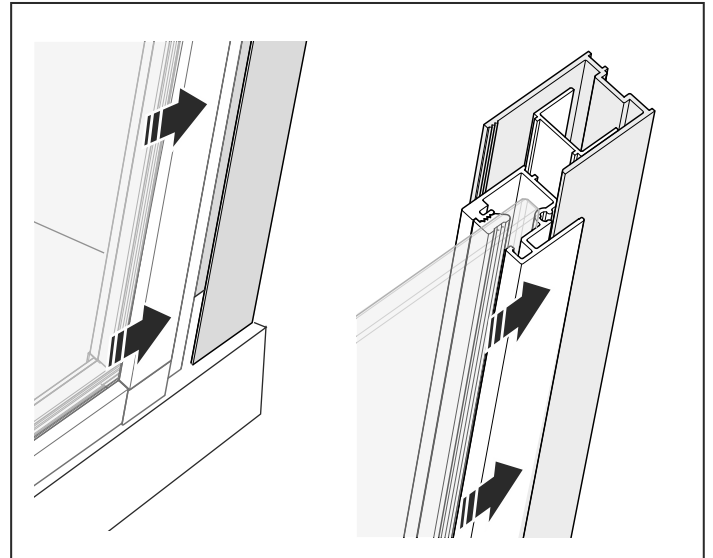
14



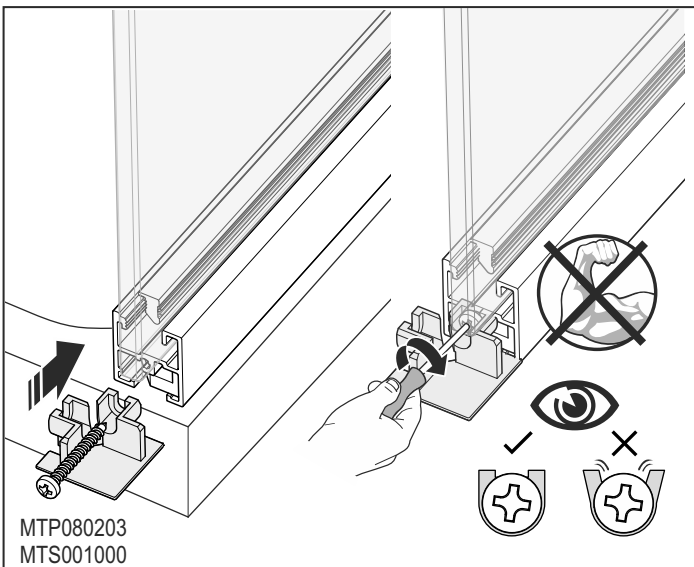
15



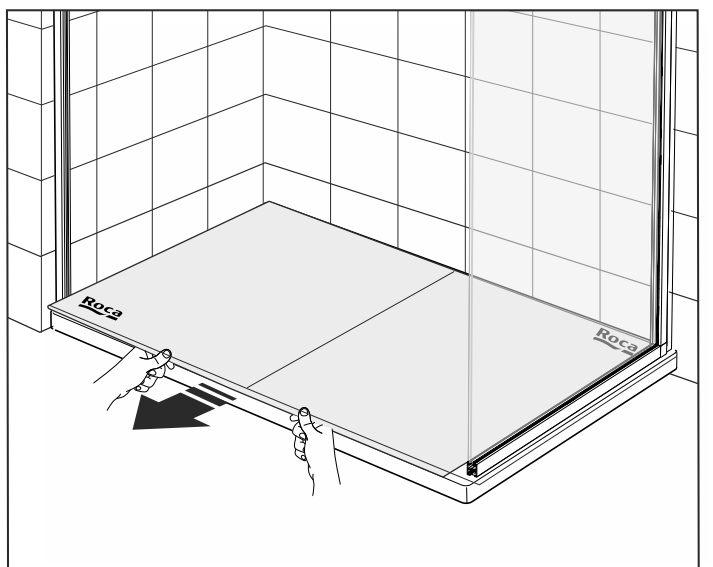
16



17

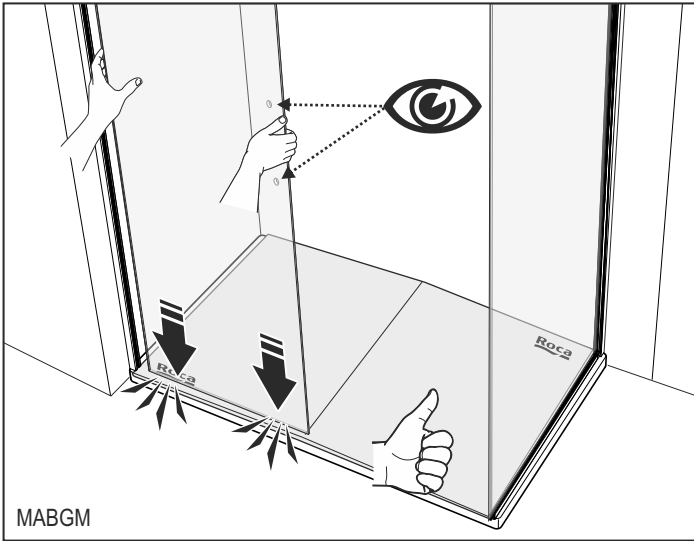


18

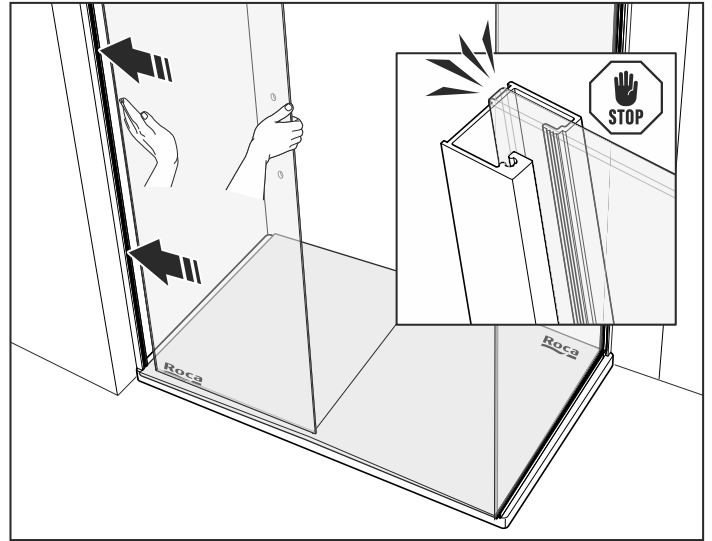




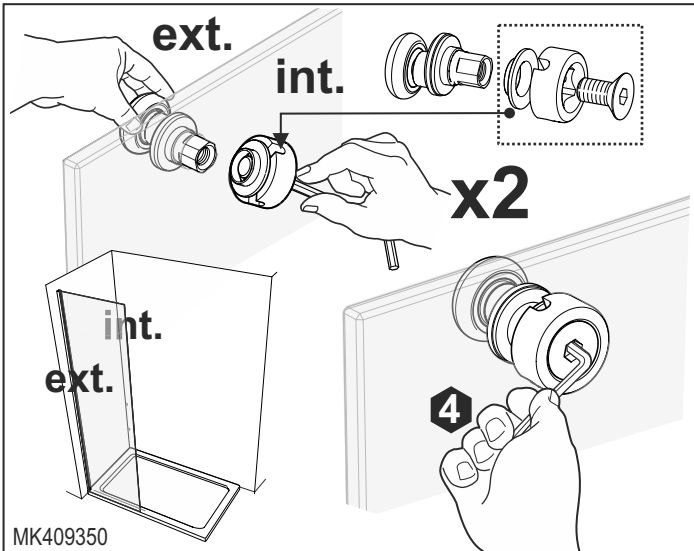
19



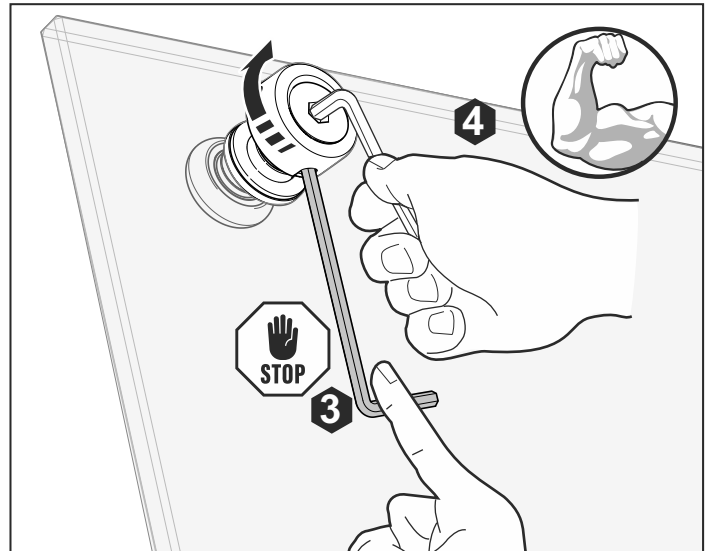
20



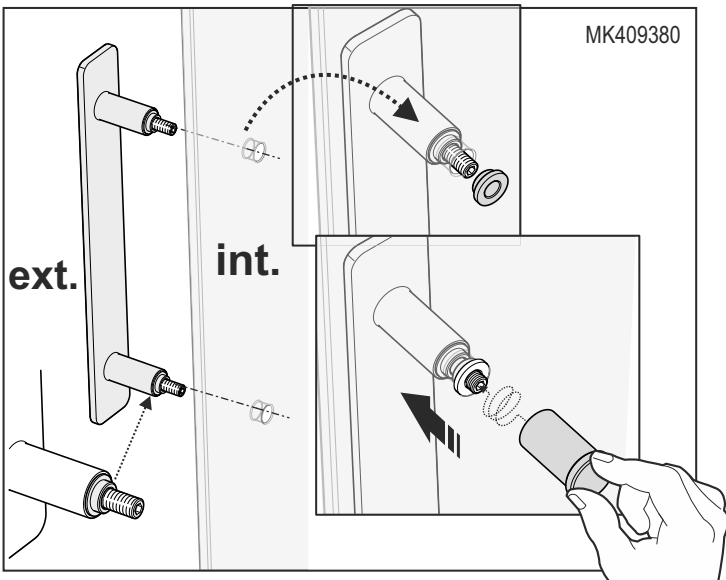
21



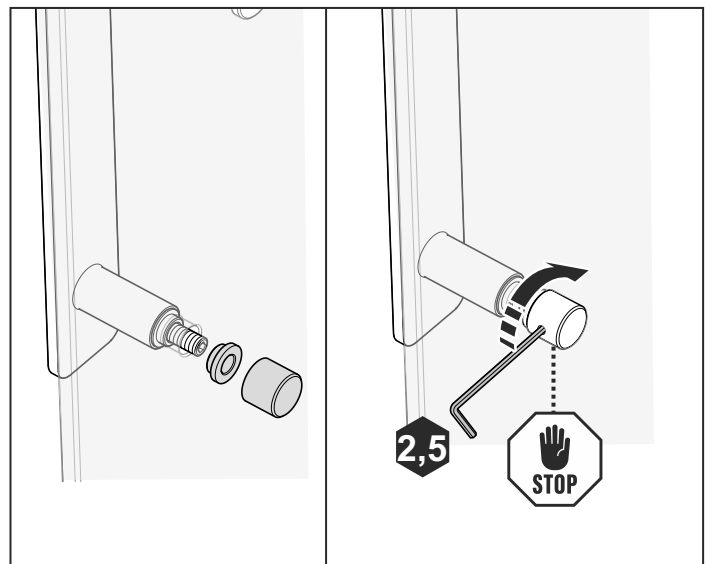
22



23

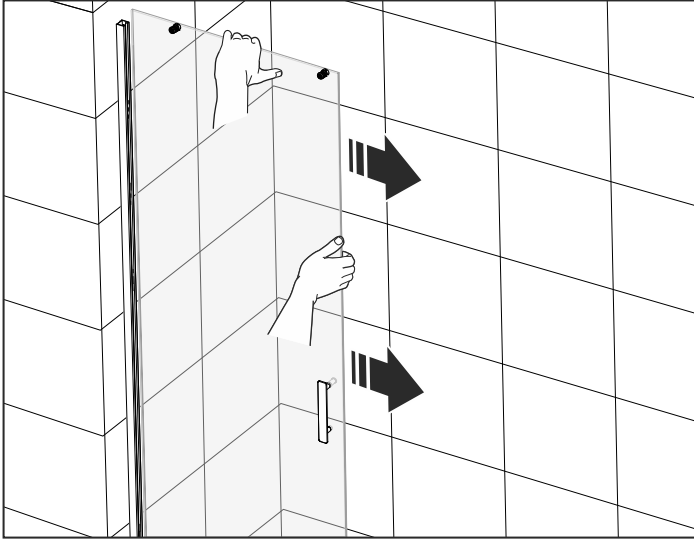


24

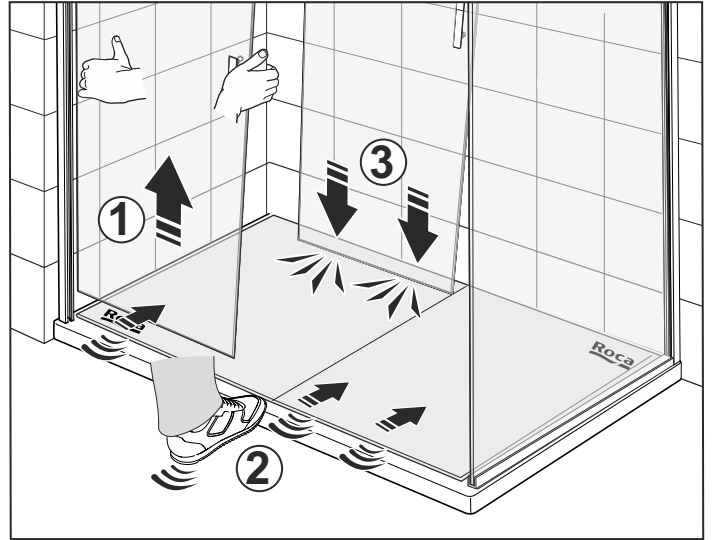




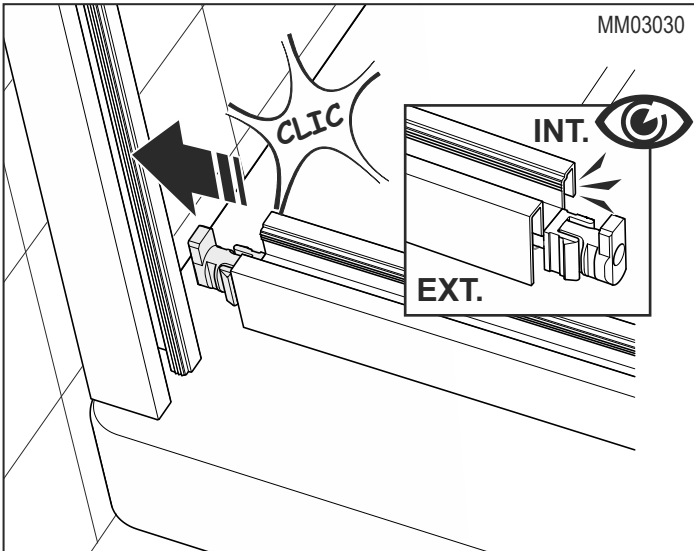
25



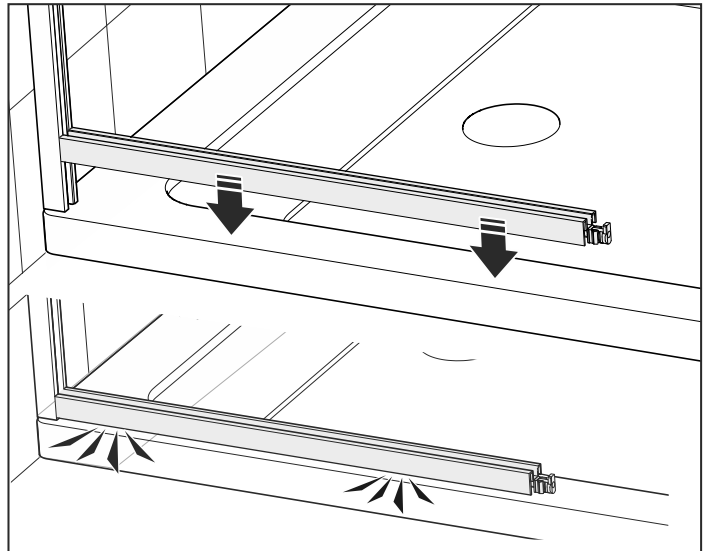
26



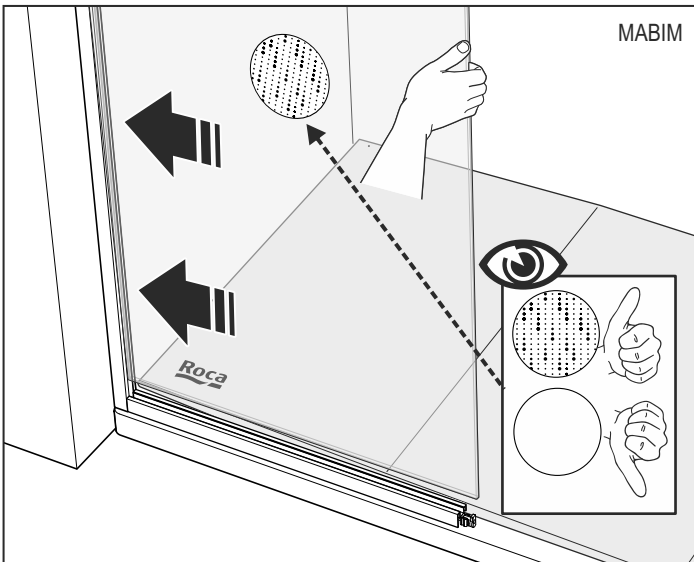
27



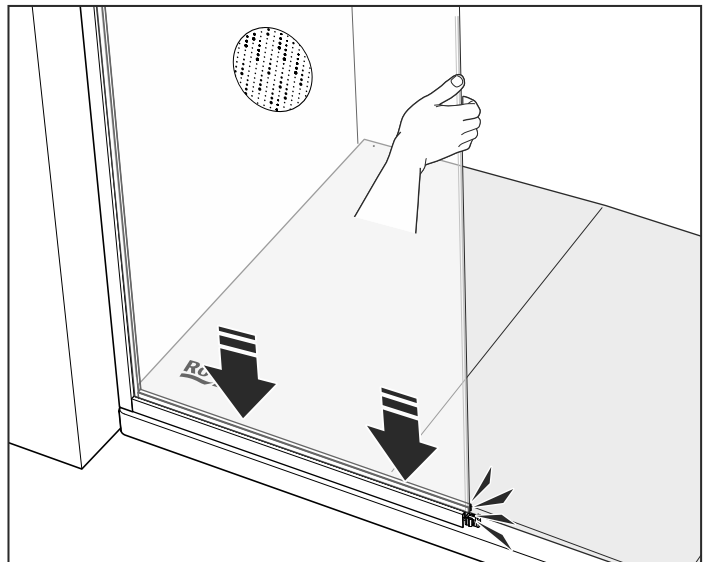
28



29

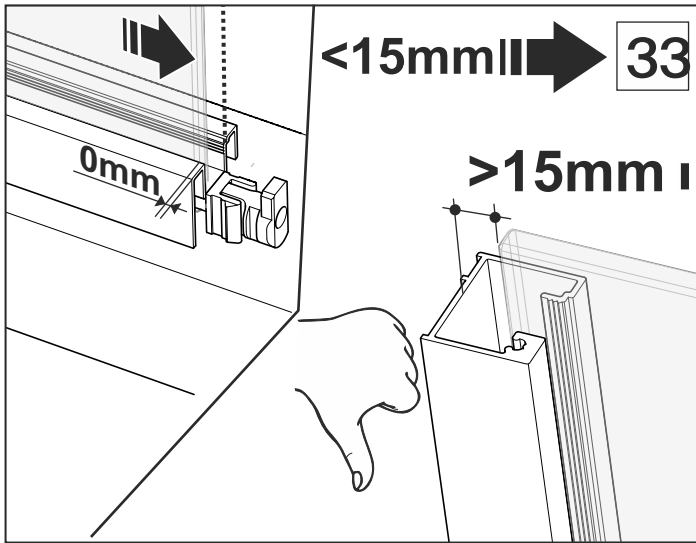


30

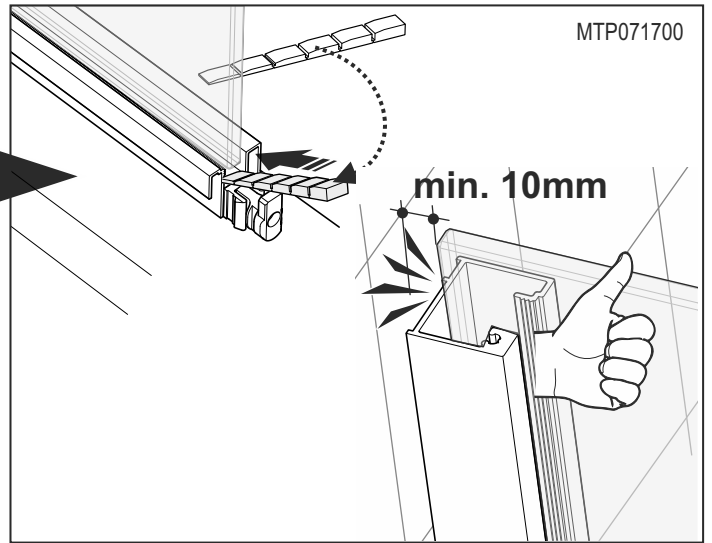




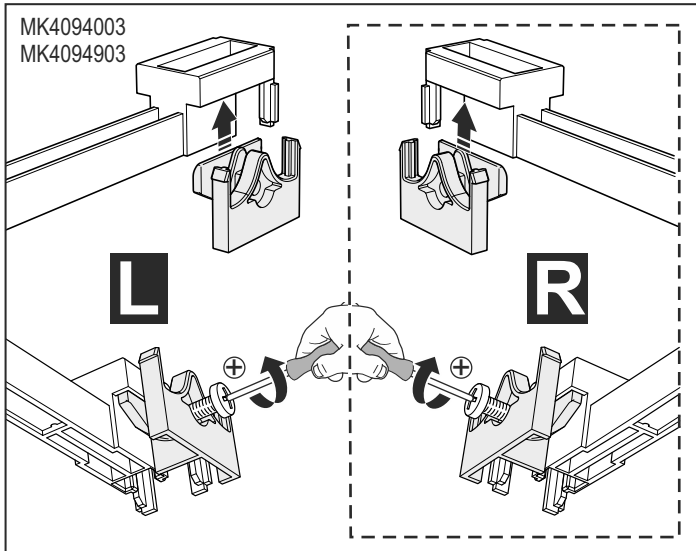
31



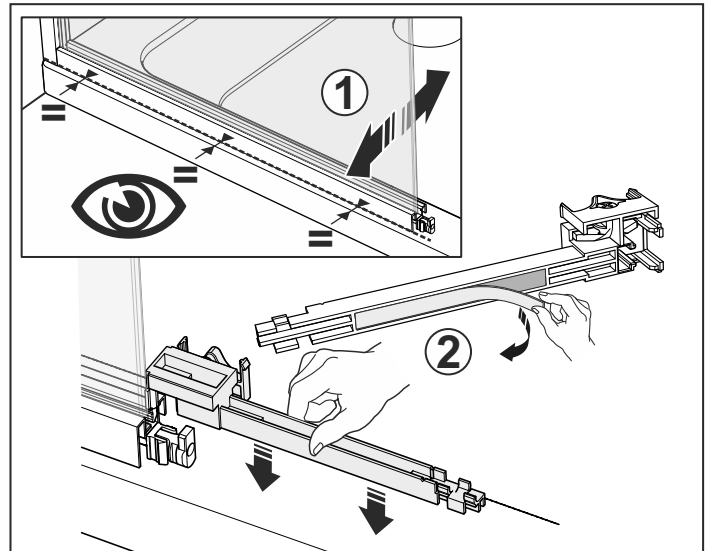
32



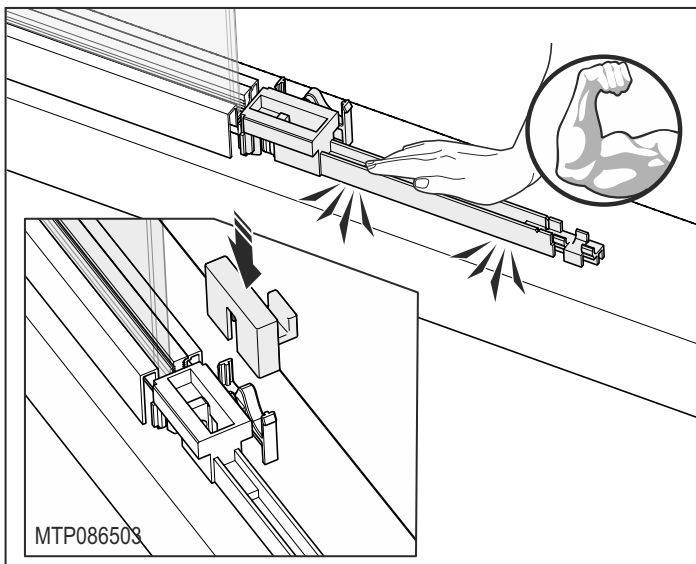
33



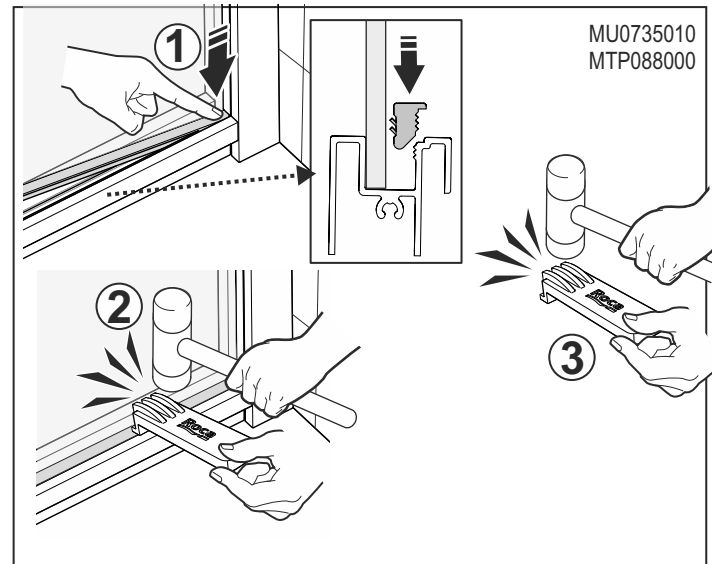
34



35

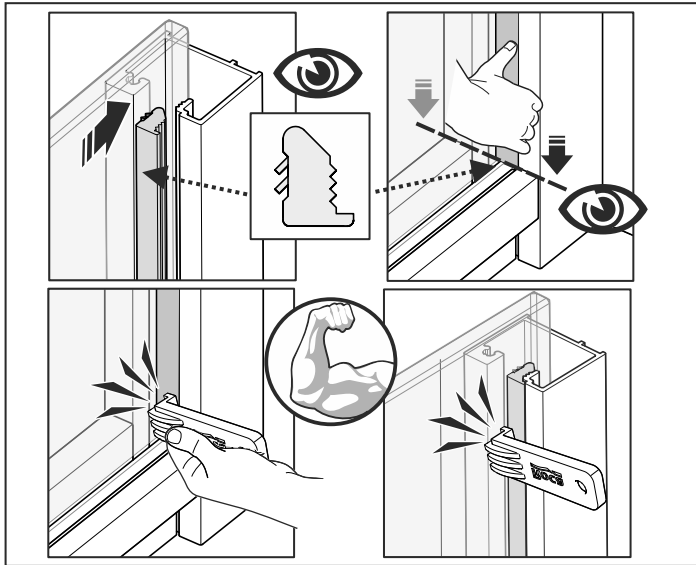


36

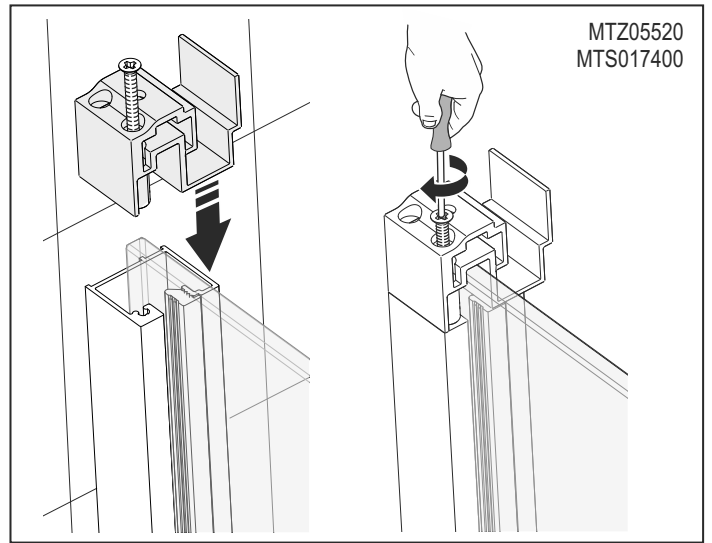




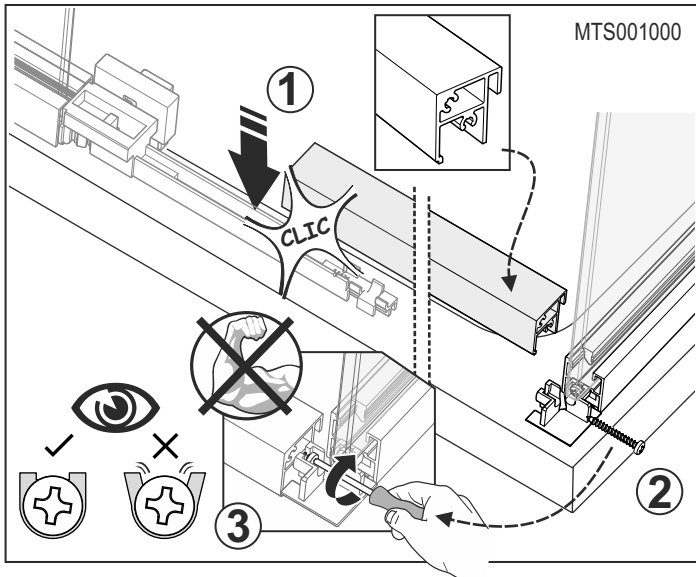
37



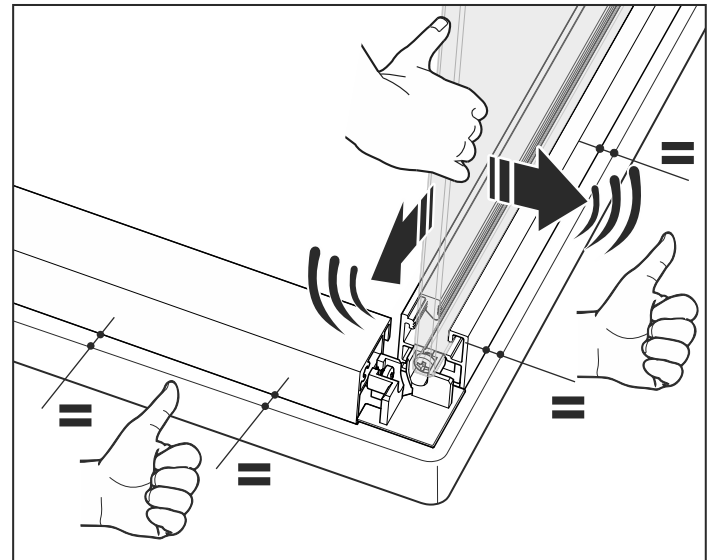
38



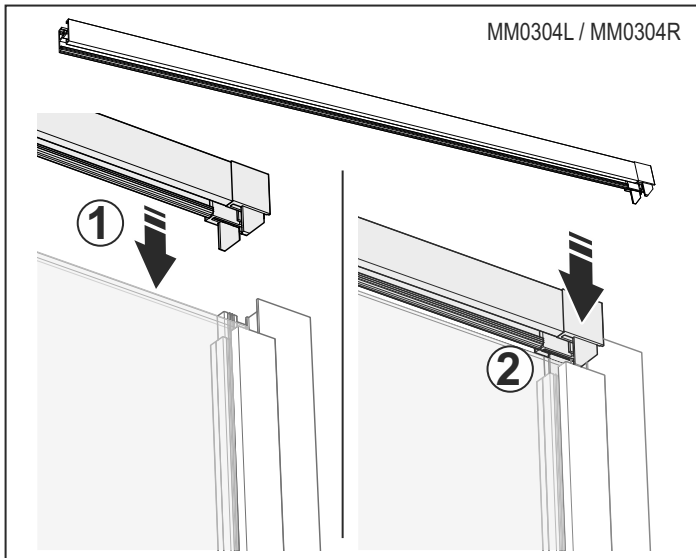
39



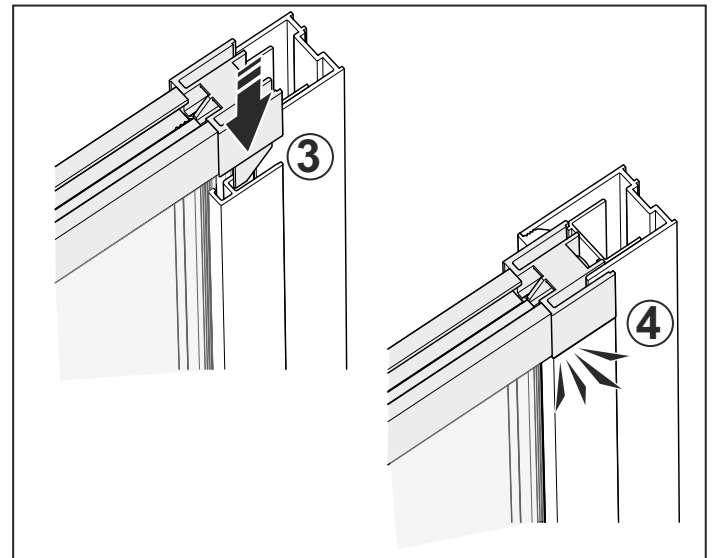
40



41

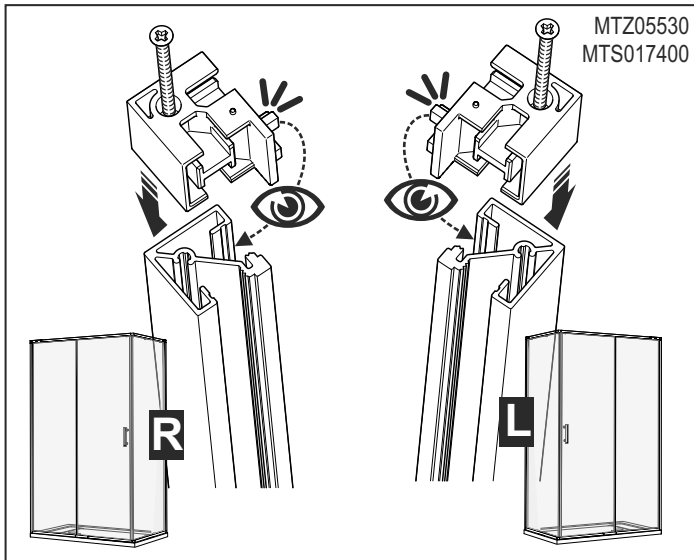


42

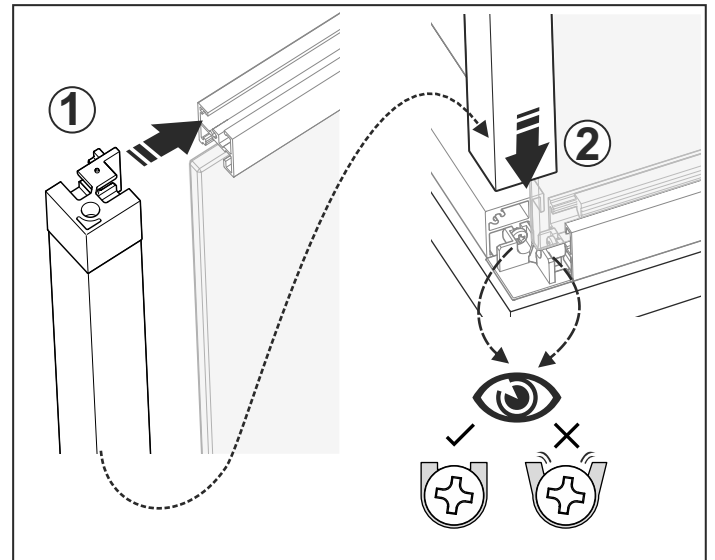




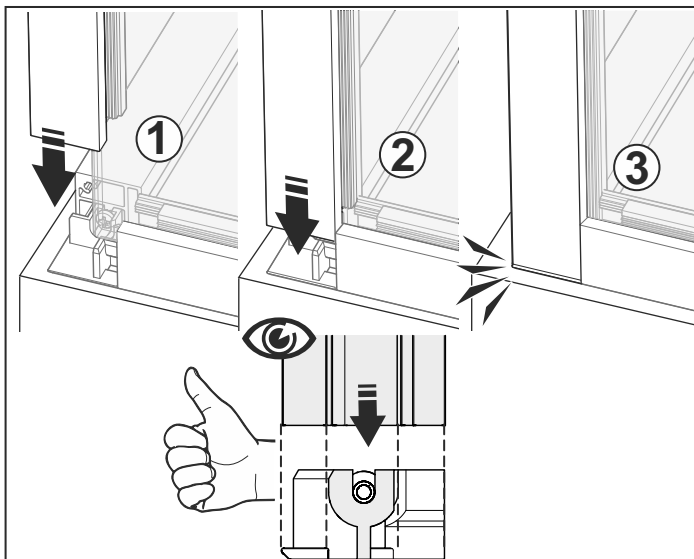
43



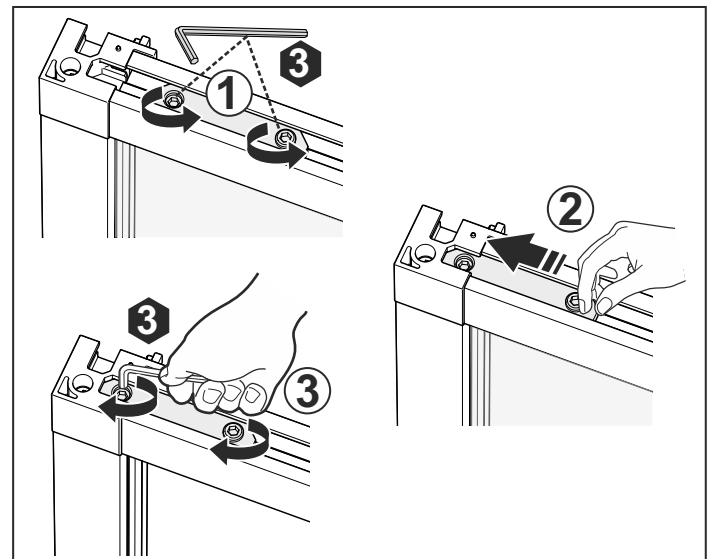
44



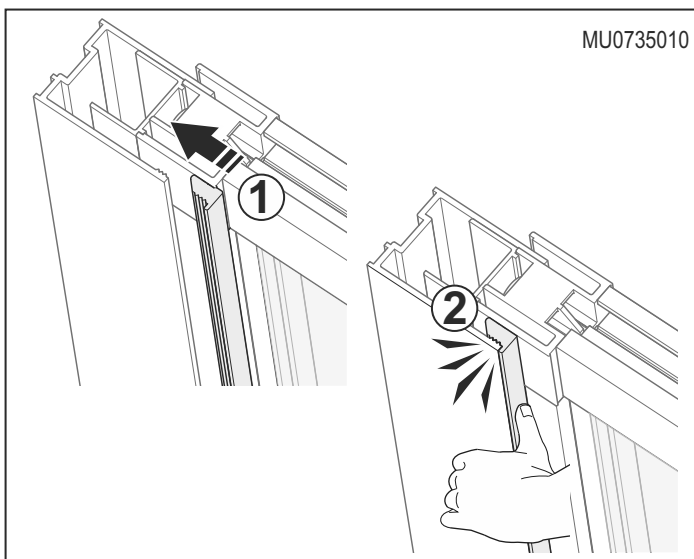
45



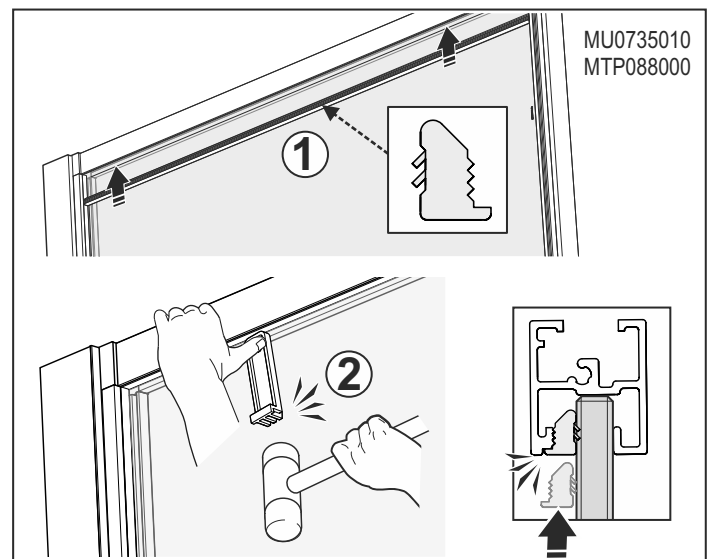
46



47

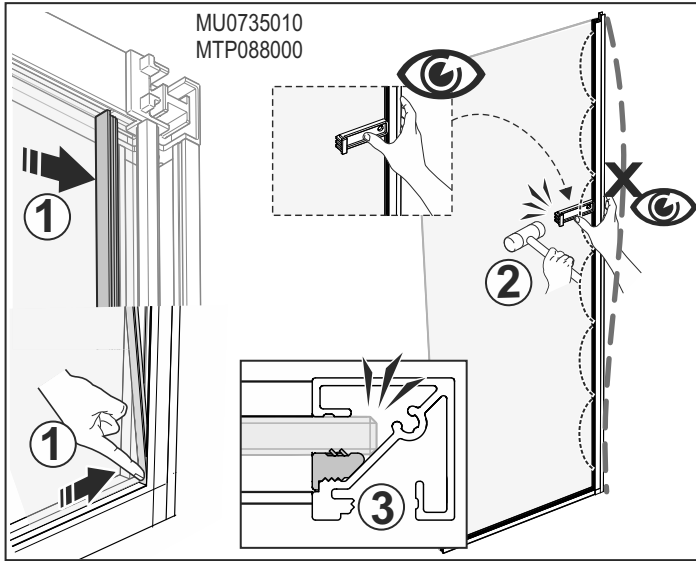


48

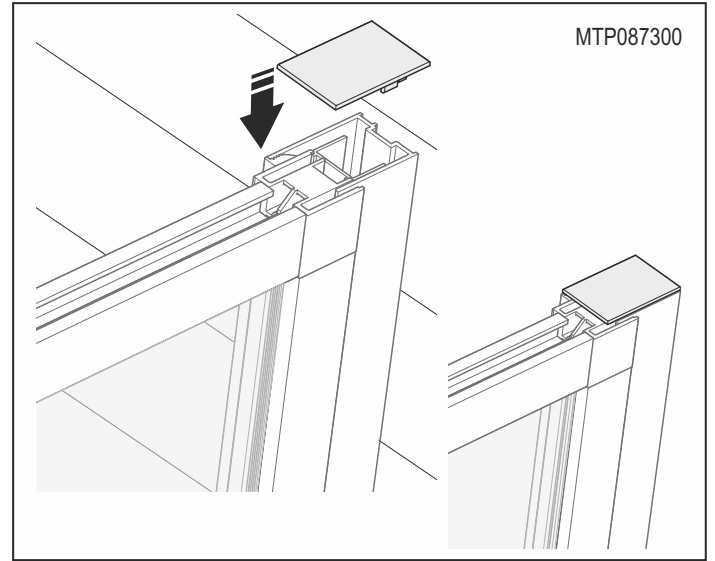




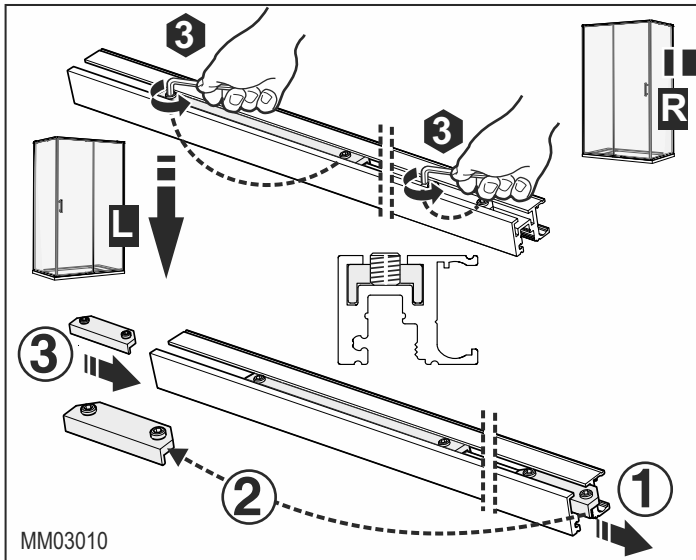
49



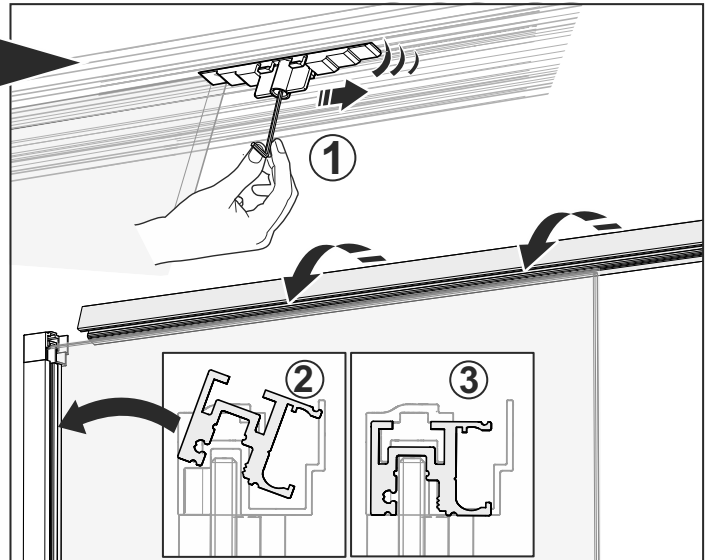
50



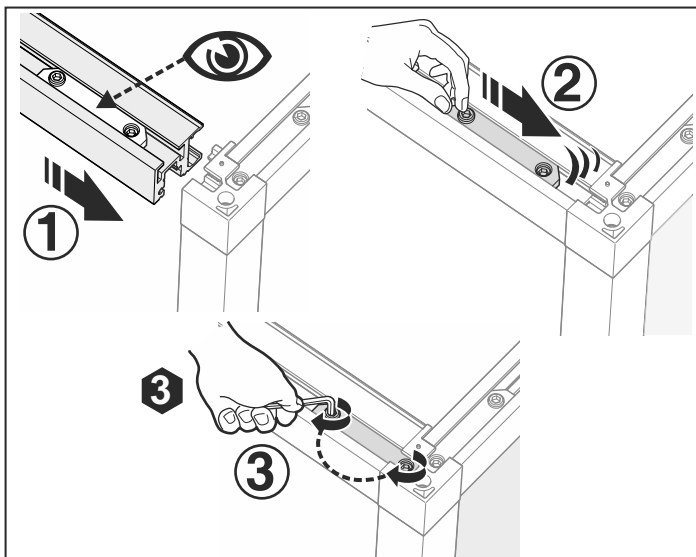
51



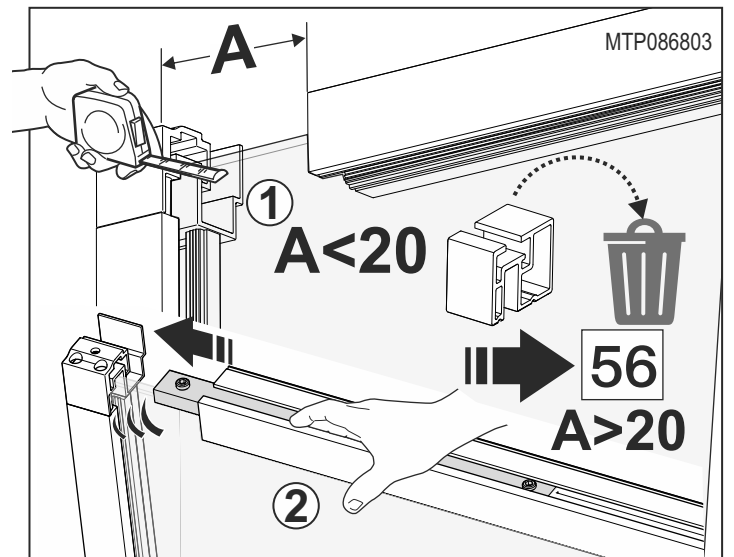
52



53

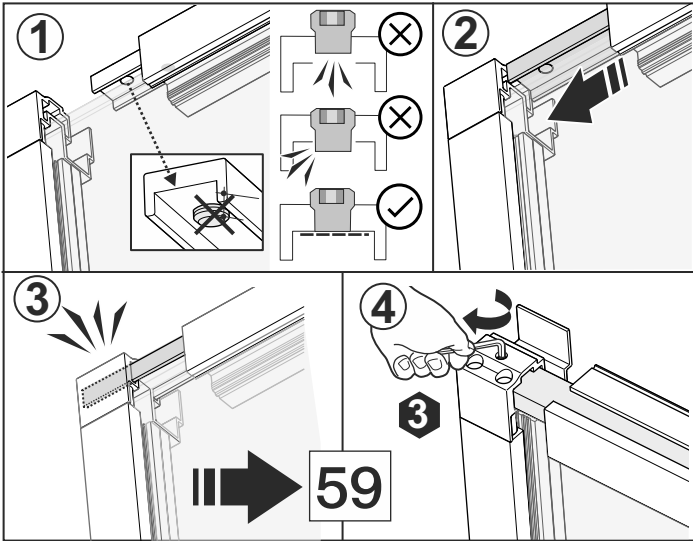


54

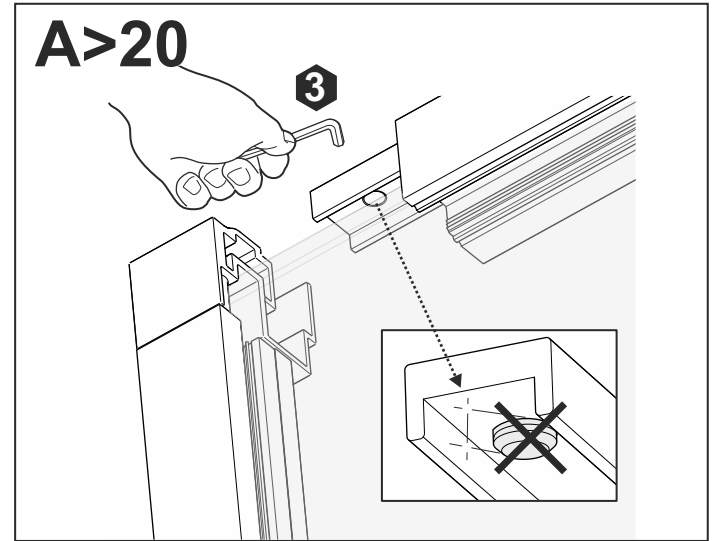




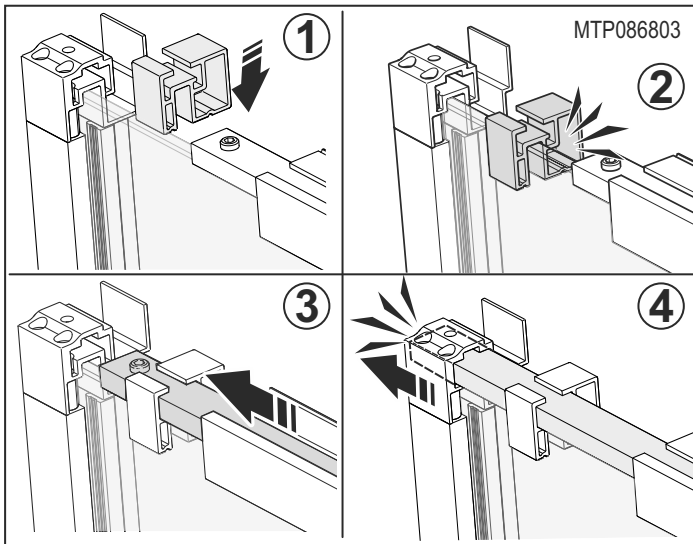
55



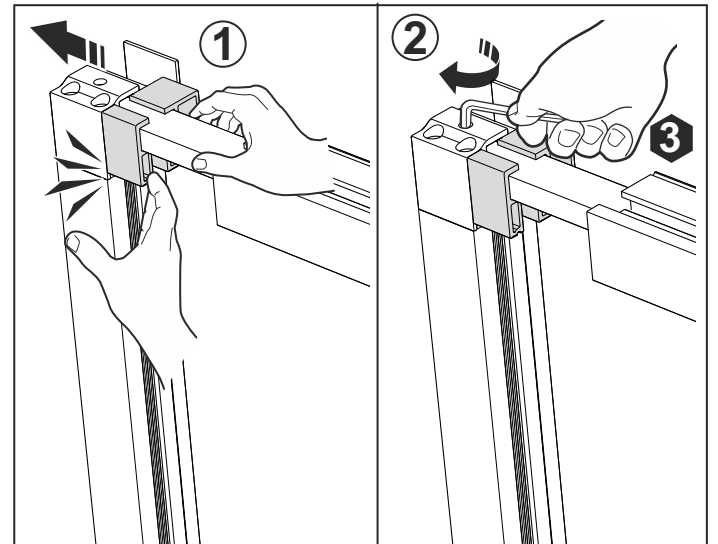
56



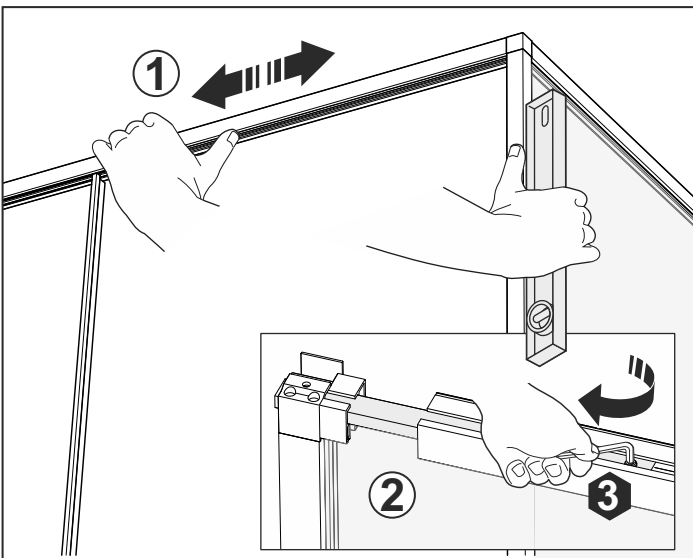
57



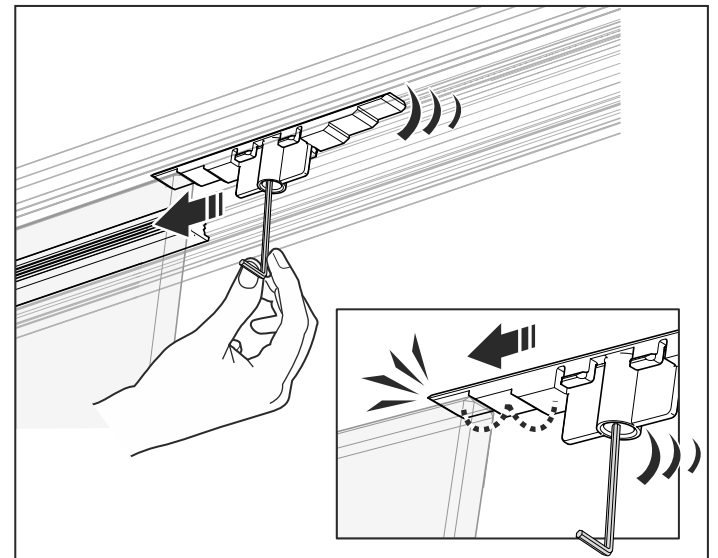
58



59

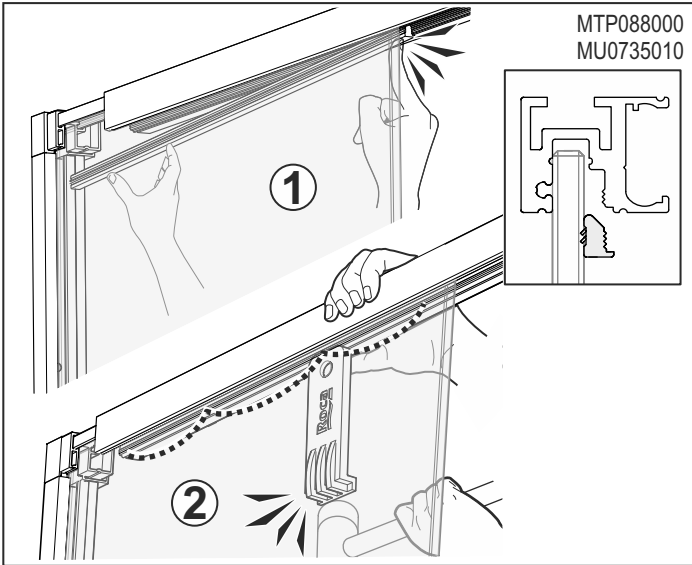


60

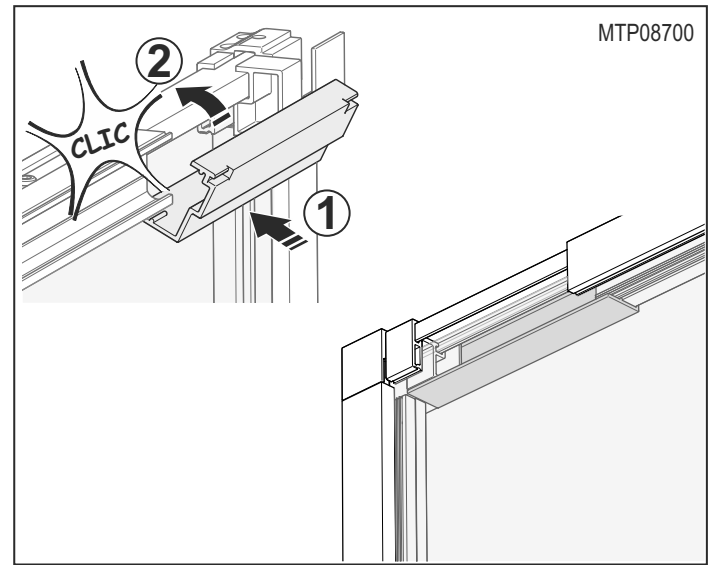




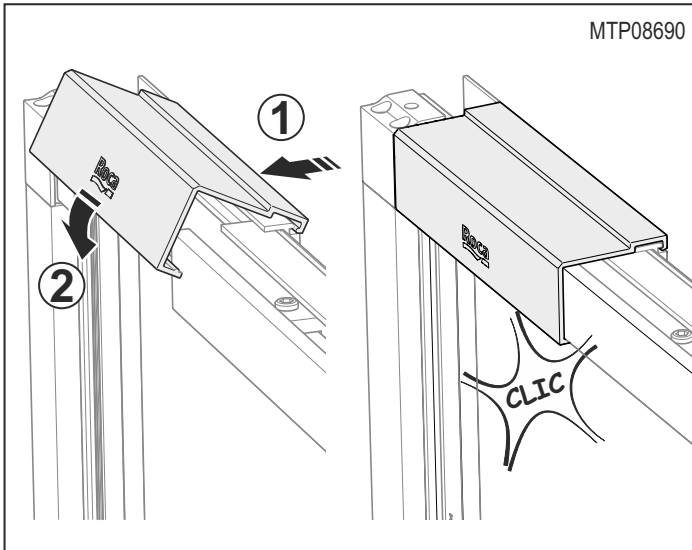
61



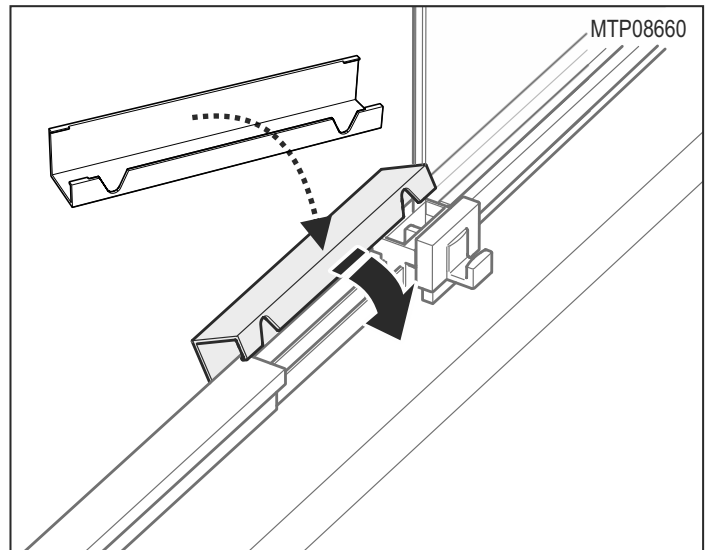
62



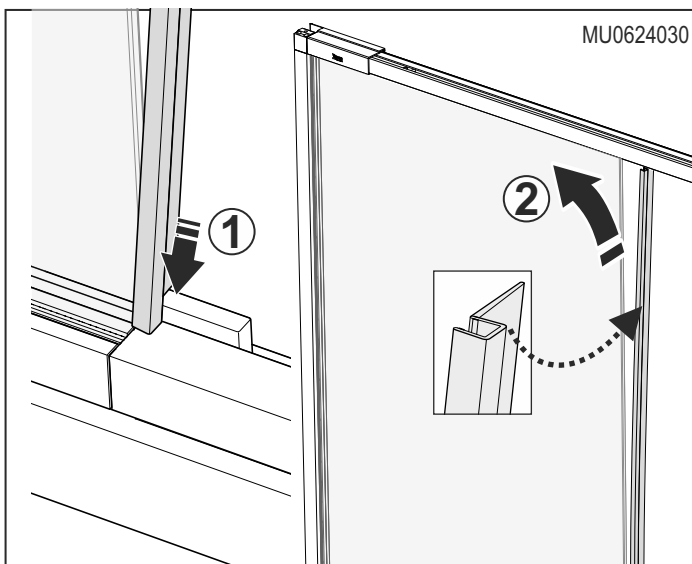
63



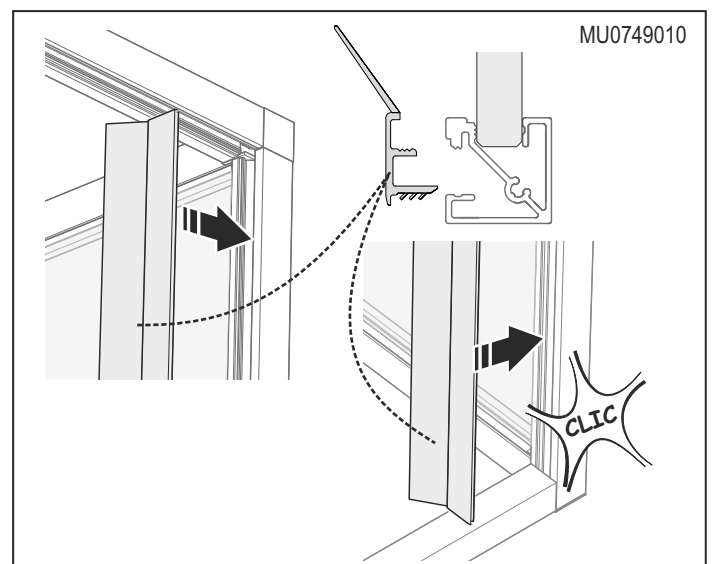
64



65

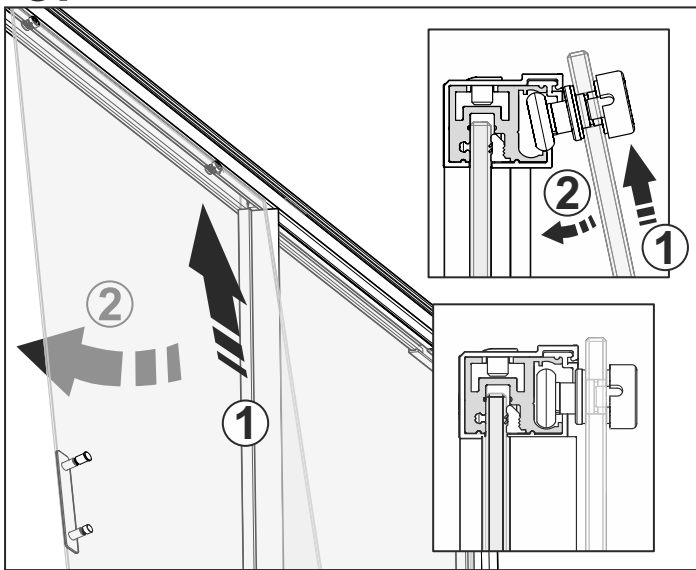


66

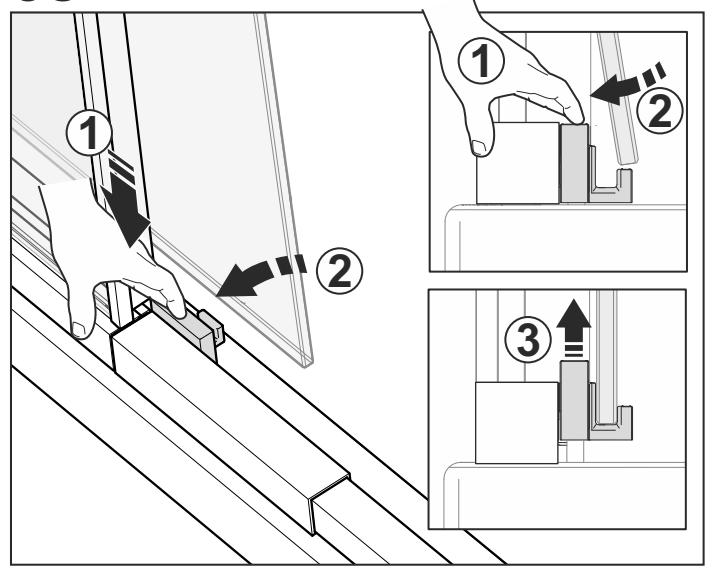




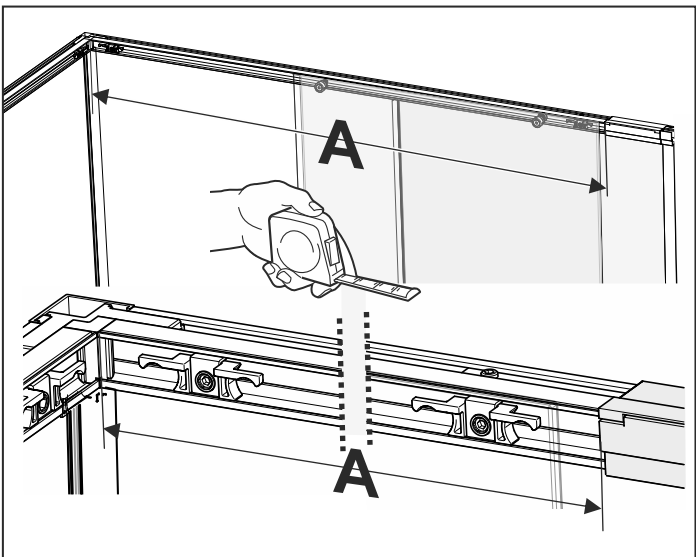
67



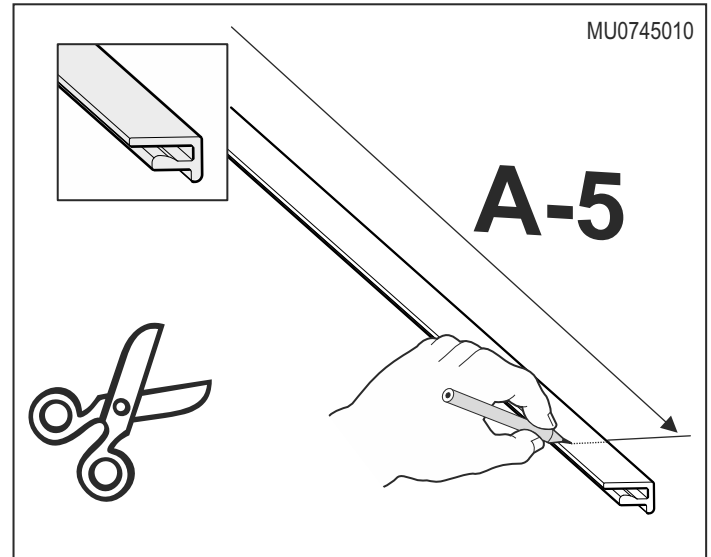
68



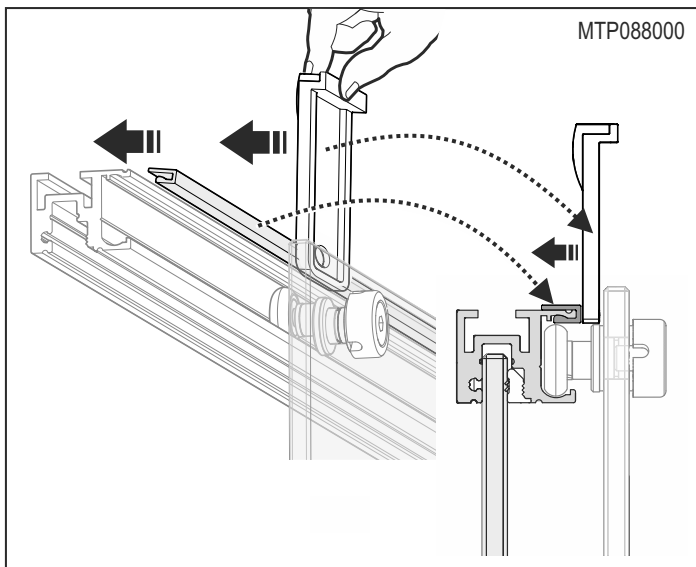
69



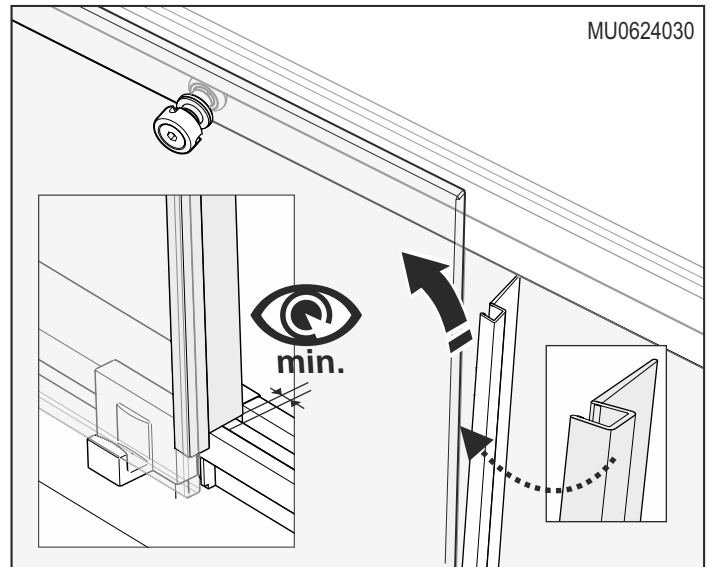
70



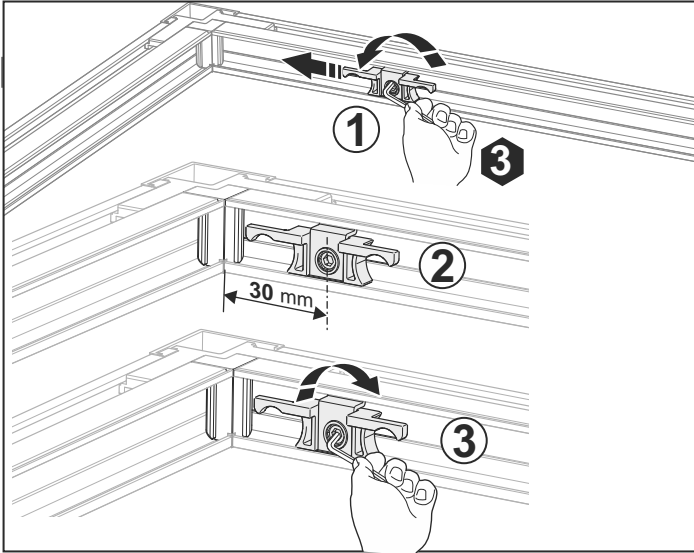
71



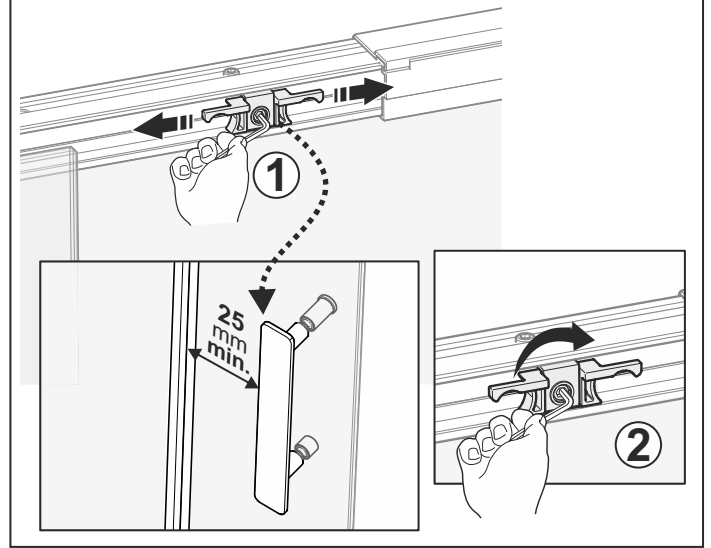
72



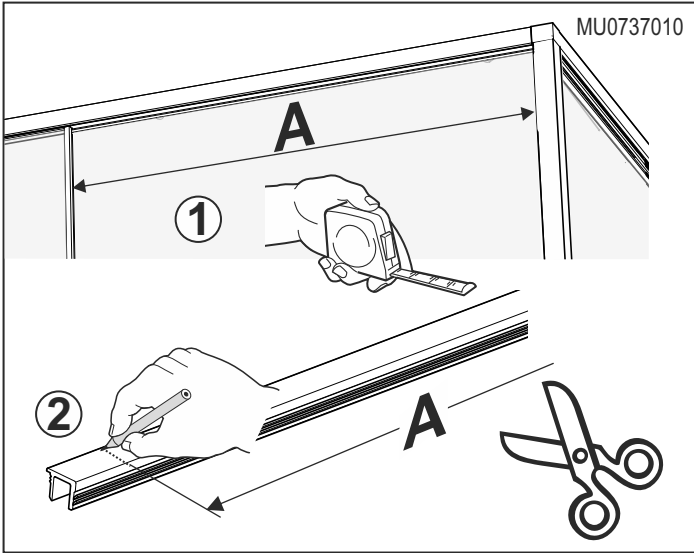
73



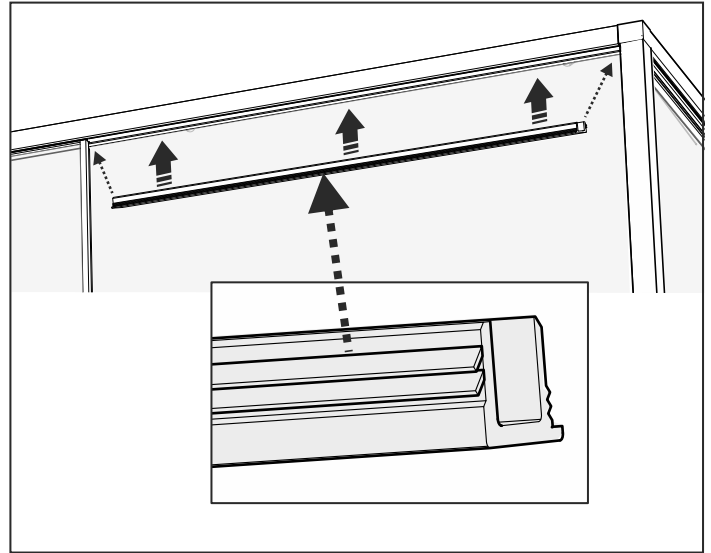
74



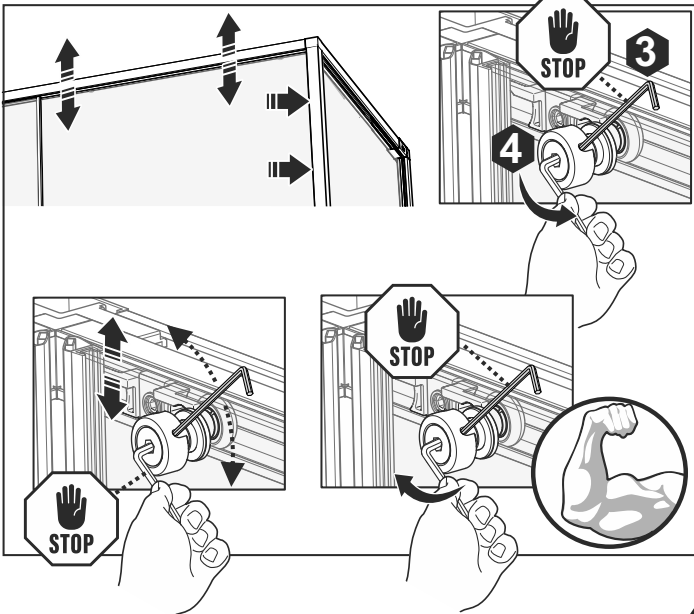
75



76



77



78

