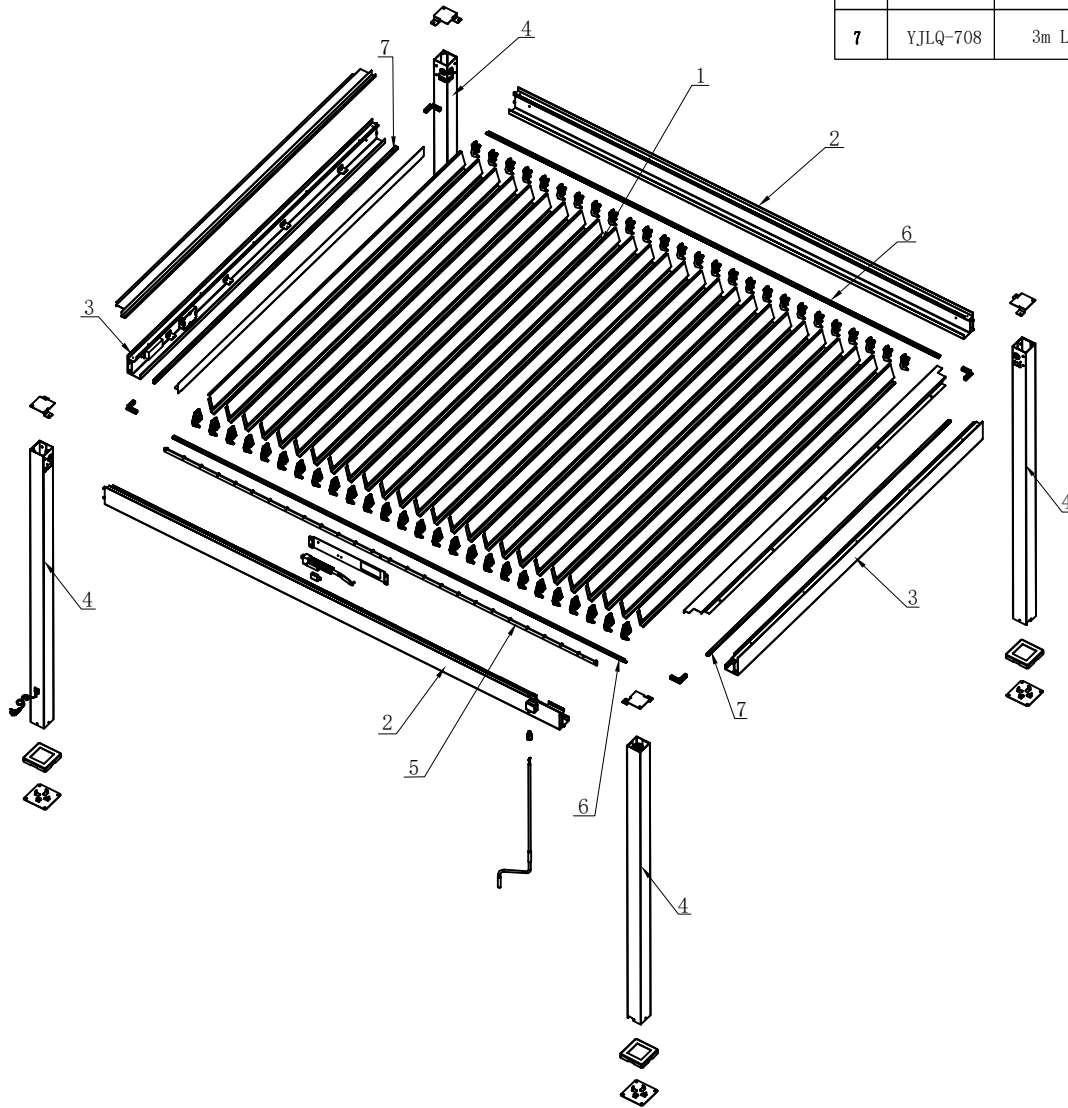


No	Mould Ref	part designation	qty	raw material	Spec	source of raw material	% of recycled material	surface treatment	part weig
1	YJLQ-834	Roof slats	26	Aluminum	160*27	NINGBO		powder coating	
2	YJLQ-904	Long beam	2	Aluminum	160*106	NINGBO		powder coating	
3	YJLQ-904	Short beam	2	Aluminum	160*106	NINGBO		powder coating	
4	YJLF-079	Leg tube	4	Aluminum	110*110	NINGBO		powder coating	
5	YJLD-021	Linkage bar	1	Aluminum	30*5	NINGBO		powder coating	
6	YJLQ-708	3.95m LED bar	2	Aluminum	21*14.5	NINGBO		powder coating	
7	YJLQ-708	3m LED bar	2	Aluminum	21*14.5	NINGBO		powder coating	



Rev	NAME	DATE
01		
02		
03		
04	DA	
05		
06		


 ADED -135, rue Sadi Carnot
 CS 00001 - 59790 RONCHIN
 FRANCE
 MATERIAU/FINISHING:

GENERAL TOLERANCES: LINEAR: ANGULAR:		
TITRE: PERGOLA NATERIAL CLIMA ASTRA BIOCLIM MOTORIZED FULL ALU 300X393 D.GREY		
No. DE PLAN	3276007947830	A3
ECHELLE: 1:1 (Scale can be adapted) Dimensions in mm		REVISION
		FEUILLE 1 SUR 1