



TAIWAN FU HSING GROUP

PRODUCT DIRECTORY

DOOR CLOSER / PANIC EXIT DEVICE / FLOOR SPRING



 **FORTRESS INDUSTRIAL CO., LTD**

NO.103, Xingong 1ST RD., Beidou Township,
Changhua County 521, Taiwan (R.O.C.)
Tel: 886-4-887-7610 Fax: 886-4-8877612

 **FORTRESS**

www.fortress-hardware.com.tw

CONTENTS

17 Door Closer (T: Extrusion C: Casting)

EN Standard Door Closer

Surface mount, Cam Action with Track arm

- 19 T93P (Power Adjustable, EN 2~5, Latch, Backcheck, Delay)
- 20 T92G (Power Adjustable, EN 2~4, Latch, Backcheck)
- 21 T91B (Power Fixed, EN 3, Latch)

Concealed Cam Action with Track arm

- 22 T96G (Power Adjustable, EN2~4, Latch)

Surface mount, Rack & Pinion with Track Arm

- 23 T65G (Power Adjustable, EN 2~4, Latch, Backcheck)
- 24 T63B (Power Fixed, EN 3, Latch)

Concealed Rack & Pinion with Track Arm

- 25 T66B (Power Fixed, EN 3, Latch)
- 26 T420 (Power Fixed, Nonstandard 2/3, Latch)
- 27 T380 (Power Fixed, Nonstandard 2/3, Latch)

Surface mount, Rack & Pinion with Standard Arm

- 28 T81J (Power Adjustable, EN 2~6, Latch, Backcheck)
- 29 T83H (Power Adjustable, EN 2~5, Latch, Backcheck)
- 30 T83G (Power Adjustable, EN 2~4, Latch, Backcheck)
- 31 T72V (Power Selectable, EN 2~4, Latch, Backcheck)
- 32 T12Z (Power Selectable, Nonstandard 2~4, Latch)
- 33 C68V (Power Selectable, EN 2~4, Latch, Backcheck)
- 34 C69V (Power Selectable, EN 2~4, Latch)
- 35 C77B (Power Fixed, EN3, Latch)
- 36 C752 (Power Fixed, Nonstandard 2, Latch)

UL Standard Door Closer

Surface mount, Rack & Pinion with Standard arm

- 37 C514 (Power Adjustable, UL2~4, Latch, Backcheck)
- 38 C68Z (Power Selectable, UL 2~4, Latch, Backcheck)
- 39 C69Z (Power Selectable, UL 2~4, Latch)
- 40 C77Z (Power Selectable, UL 2~4, Latch, Backcheck)
- 41 C100 (Power Fixed, Size 1/2/3/4, UL 2, Latch)
- 42 C800 (Power Fixed, Size 2/3/4/5, UL 2/3/4, Latch)

Panic Exit Device

- 46 7100 (UL & ANSI, Rim, Vertical & LBR)
- 51 5000 (UL, Rim & Vertical)
- 54 8000 (UL, Rim & Vertical)

57 Floor Spring

- 59 B300
- 60 B710 (Power Fixed, Nonstandard 2, Latch)
- 61 B720 (Power Fixed, Nonstandard 2/3/4, Latch)
- 62 B740 (Power Fixed, Nonstandard 2/3, Latch)
- 63 B750 (Power Adjustable, Nonstandard 3~6, Latch)
- 64 B760 (Power Adjustable, Nonstandard 1~4, Latch)
- 65 B800 (Power Fixed, Size2/3/4, EN 3/4, Latch)
- 66 B840 (Power Fixed, Nonstandard 2/3/4, Latch)

Transom Closer

- 67 R500 (Power Adjustable & Fixed, UL 2~4, ANSI 3, Nonstandard 2/3/4, Latch)
- 68 R520 (Power Fixed, EN 2/3/4, Latch)
- 69 R580 (Power Adjustable, EN 2~4, Latch)

Surface mounted Door Coordinator

- 71 SDC

Fortress (Taiwan Fu Hsing Group)

is one of the leading manufacturers in Taiwan that supplies door control solutions to worldwide partners. We always offer our partners best services with our superior facilities, skilled engineers, committed quality control, efficient sales teams and full product ranges.

In order to supply our partners the door control products as safe and functional as possible, our products are usually certified by world well-known standard like CE and UL/ANSI for European and North America markets which include mechanical performance and fire rated.



It is also open to discuss if worldwide clients would like Fortress to supply products beside CE/UL/ANSI standard upon request.

Generally, there are 2 systems of door closers we supply – Rack & pinion and Cam action. Rack & pinion is the most typical mechanism system, and Fortress is experienced to supply our partners with rack & pinion door closers with EN and UL standard. While Cam action is getting more and more popular because of its high efficiency and so-called easy opening performance. Fortress is also able to supply our clients a full range of Cam action door closers with CE certificate officially issued by Exova.

There are more product details as following including door closer, exit device and floor springs....etc. We hope you enjoy the read.

Hardware's prior consent, document is illegal and prohibited.



Taiwan Kaohsiung : Taiwan Fu Hsing
Plant Land Area : 30,477m² (328,065ft²)



Taiwan Changhua : Fortress
Plant Land Area : 4,580m² (49,308ft²)



China Jiangsu : Taicang
Plant Land Area : 49,253m² (530,155ft²)



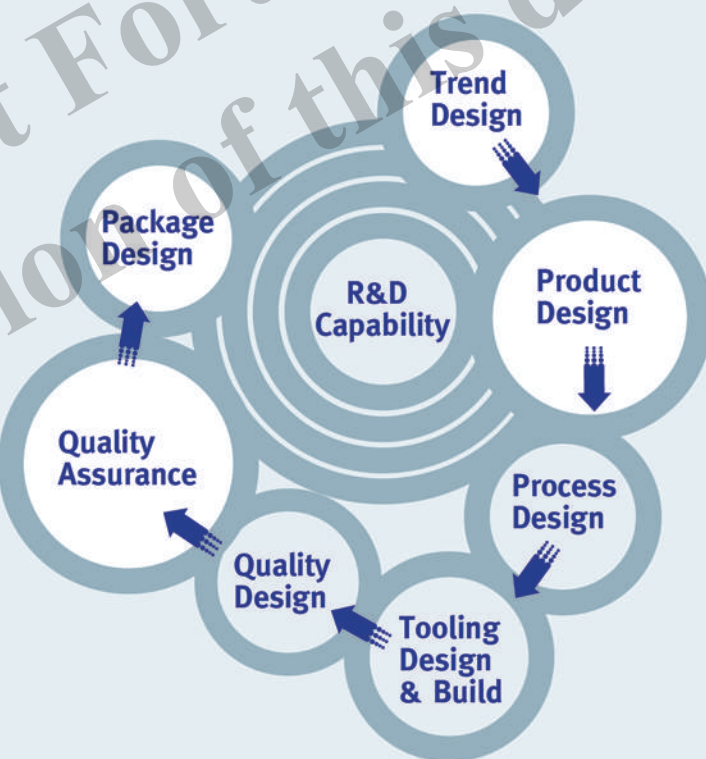
China Jiangsu : Changshu
Plant Land Area : 46,620m² (501,814ft²)

PRODUCTS RANGE



1. **DOOR CLOSER**
 - Cam
 - Rack & Pinion
2. **PANIC EXIT DEVICE**
 - Rim, Vertical & LBR
3. **FLOOR SPRING / TRANSOM CLOSER**

INNOVATION R&D CAPABILITY:



Marketing & Distribution

Fortress is one of the largest door hardware companies in Taiwan. We are specialized in designing high quality products. We produce door closers, panic exit devices and floor springs to supply our customers all over the world.



Service

We listen and respond to customers' needs. Our products are high quality and safe. We have a fully complete after-sales service.

History

Milestones

This is our laboratory and QA division. On this wall are Fortress' testing and safety certifications.

We display these certificates to show our commitment to quality. In the middle you can see our UL certificate. Below that is our ANSI/BHMA 156.4 certification.

This certification allows us to test according to ANSI standards in this lab, instead of having to mail our products out to be tested. All of the other certificates are CE mark certificates.

History

Milestones

- 1957** – Taiwan Fu Hsing Industrial Co., Ltd. established
- 1983** – 1st Door closer UL certificates approved
- 1989** – Taiwan Top 10 Product Developer Award honored
- 1990** – 1st Panic exit device UL certificates approved
- 1992** – Industrial Technology Development Award honored
- 1993** – 1st door closer "BSI" certified
- 1995** – Taiwan Fu Hsing Industrial Co., Ltd. goes public, listed and traded on the Taiwan Stock Exchange
- 1999** – Atlanta-Based Fu Hsing Americas, Inc. (FHA) established
- 2000** – 1st door closer BS EN1154 certified
- 2001** – Taiwan door lock/door closer/exit device factory ISO 9001 certified
- 2002** – China Door lock factory ISO 9001 certified
- 2003** – Taiwan Door Lock factory test lab ITS certified
- 2004** – 1st door closer CE certified
 - Taiwan Door Closer factory test lab UL compliance
- 2009** – ARCTEK Industrial Co., Ltd. acquisition completed
- 2011** – 1st Panic exit device ANSI certificates approved
- 2013** – Taiwan Door Closer Division spun off and being named Fortress Industrial Co., Ltd



Quality control

Quality Control - Testing Area

EN Test Station

Our function test machine is a high quality tester, especially for testing products according to EN standards. This machine records the opening and closing power of the product, using these values to calculate the efficiency of the door closer.



ANSI 156.4 Cycle Test

We are allowed to test under the trusted ANSI safety standard because our lab and equipment have received certification. Under ANSI standards, products go through a 2 million cycle test at this station.



Cycle Test Machines

These are full size doors but weight can be added or taken off as needed. This allows us to test different standards and models of door closers. Some closers are a higher grade, meant for heavier doors, and we so are able to add more weight to test those.

The facilities in the testing area aren't just used for product testing. In the primary design stage, our engineers often use this equipment to test and verify new products.



Production Management

A door closer main body inspection area is located on the far line. This inspection is done by the production department themselves after the model, batch number, and date are spray printed onto the main body.



Production Management

We have introduced TPS system and created individual workstation. At this station, one person performs all of the processes and individually assembles the door closer main bodies.

However, working at an individual workstation like this, a single person can assemble more pieces per hour.

This setup also saves time and helps with quality assurance. With this workstation, defects are resolved very early on and never make it to the customer.

Using this station, we are also able to react even more quickly to customer demands, because we can produce the exact quantity of products more quickly and with less difficulty.

Production Management



Extrusion Aluminum Body Machining Station

This is our newly extrusion aluminum body machining area. The bodies are outsourced but we do all the machining ourselves. After our factory receives the bodies, they are brought to this area and then turned into products. This is a lean production change that we've established in order to improve the flow of parts through these processes. Through this station, we can eliminate waste and meet the customers' inquiry rapidly.

Mazak Machine Centers

Our Mazak machines are imported from Japan. Our Mazak machining centers perform the drilling and tapping for the main chamber on other models of door closers. These machines have rotating clamps, so that the machine can continuously work on parts inside the machine while parts are being loaded into the machine on the outside.



These are very precise machining centers, so if a customer requests it, we can also do boring or any other process in this machining center as well.

Piston & Pinion Grinding Station

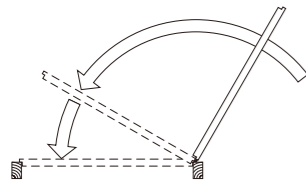
At these stations, the outside dimensions of the piston and pinions are brought into the correct specifications.

The piston and pinions work as the heart of the door closer. We usually have the pistons annealed after they are forged, which means that they are heated so that the internal stresses in the part are released. They are then carburized, which is a process where a layer of carbon is added to the metal, making the outside surface stronger. With this combination of processes, the pistons in our door closers are very strong on the outside but still softer on the inside. This way, when someone forces the door, the piston will be able to handle the stress instead of cracking and breaking.

After grinding the pinions, they will become smooth and not affect output efficiency.

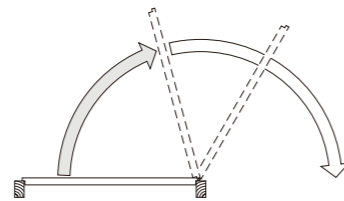


DESCRIPTION OF ADJUSTABLE FUNCTIONS:



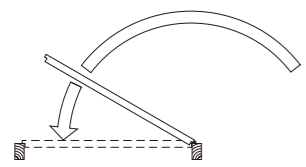
CLOSING SPEED

Speed of door leaf during closing.



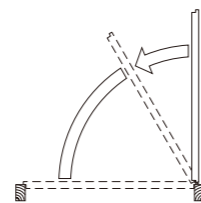
BACKCHECK

Opening motion is hydraulically slowed down from an opening angle of about 80°.



LATCHING SPEED

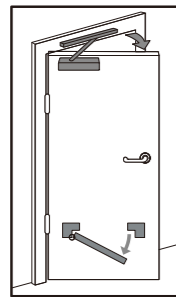
Speed of closing door leaf at opening angles between 0° and 15° until it reaches its closed position.



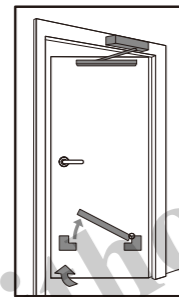
CLOSING DELAY

Delay in the closing speed between about 90° and 65°.

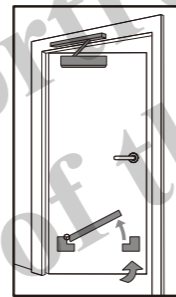
ALL MOUNTING POSITIONS:



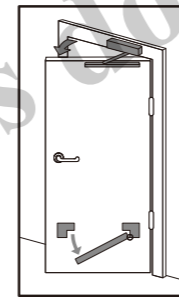
Door mount pull side



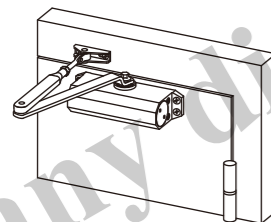
Transom mount push side



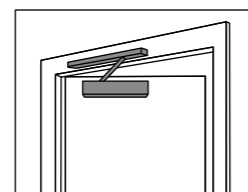
Door mount push side



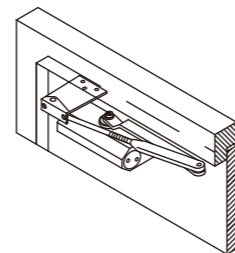
Transom mount pull side



Standard arm



Track arm

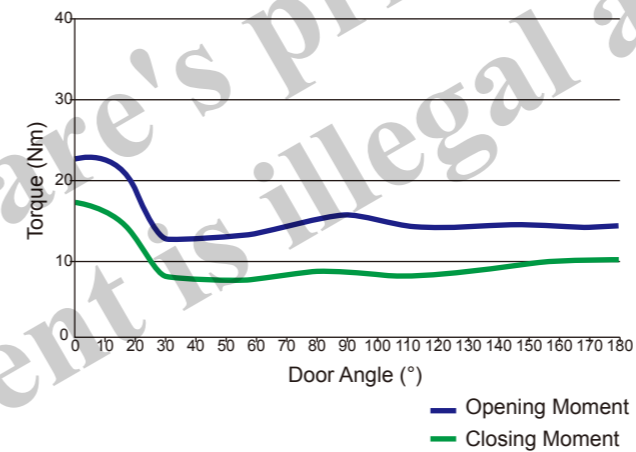


Parallel bracket

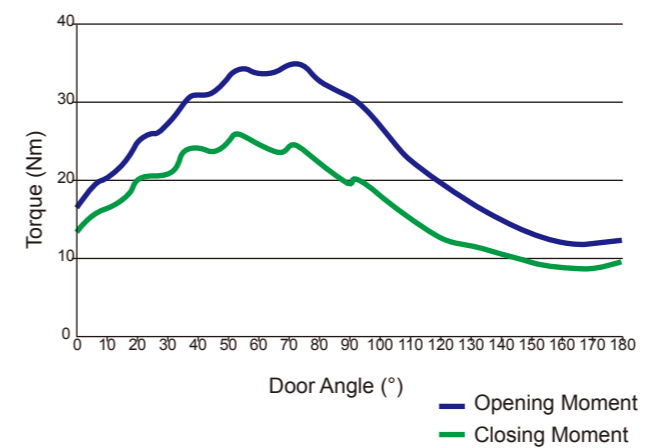
CAM AND RACK & PINION:

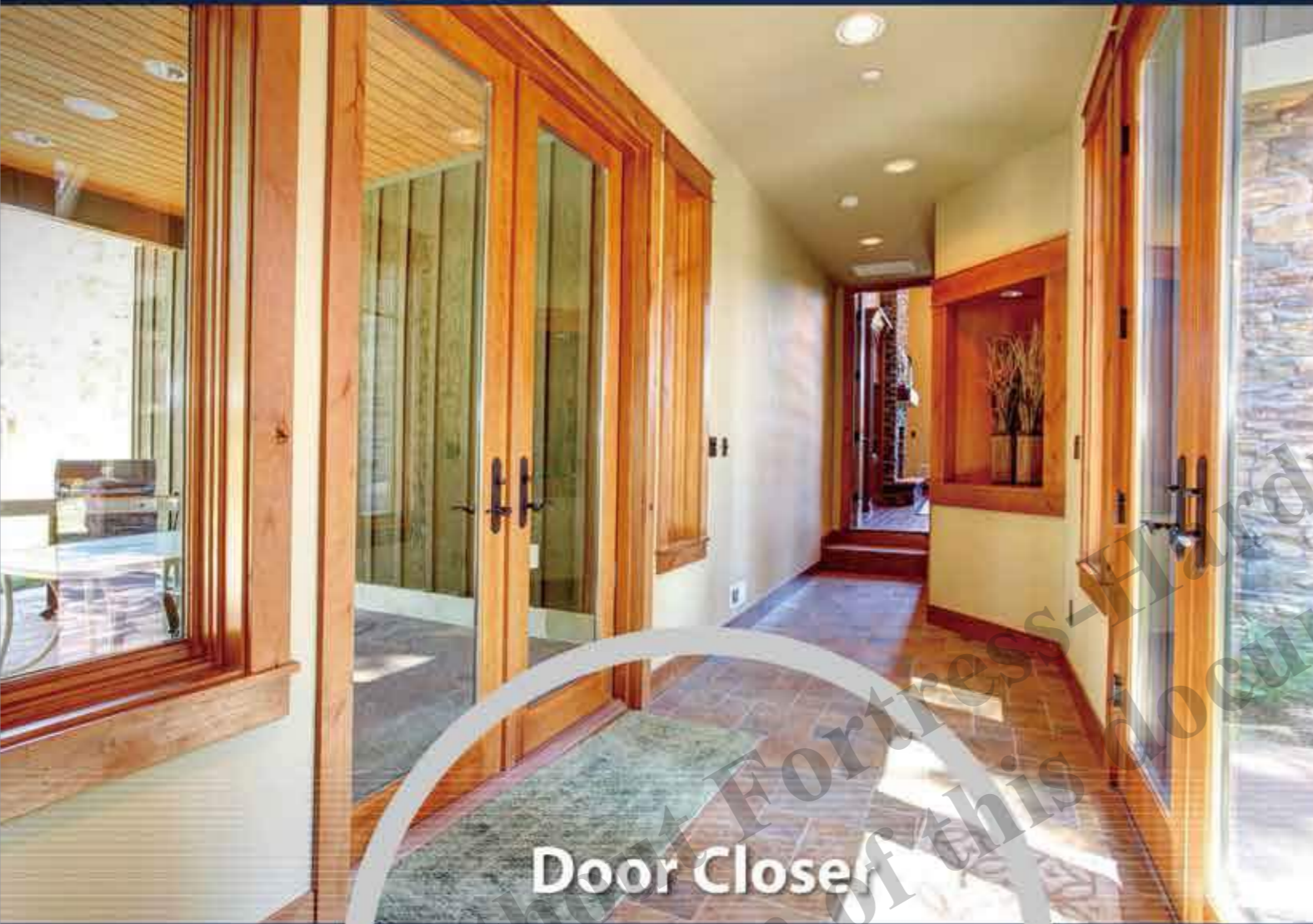
Cam

The cam action door closer system is highly efficient and easy opening. The major difference between cam and rack & pinion is the power. Contrast to rack & pinion system, the technology of the peach-shaped cam ensures less able users to open easily and close reliably. Cam action door closer can give children, the elderly and the disabled a safer and more convenient living environment.



Rack & Pinion





Door Closer

1

P

RODUCT OVERVIEW

ITEM	CERTIFICATE	FORCE SIZE		FUNCTION			RACK & PINION CAM	TRACK ARM	STANDARD ARM	SURFACE	CONCEALED
				LATCH	BC	DELAY					
T93P	EN	▲	2-5	●	●	●	●	●		●	
T92G	EN	▲	2-4	●	●		●	●		●	
T91B	EN	☆	3	●			●	●		●	
T96G	EN	▲	2-4	●			●	●			●
T65G	EN	▲	2-4	●	●	○		●	●	●	
T63B	EN	☆	3	●	●			●	●	●	
T66B	EN	☆	3	●				●	●		●
T420	X	☆	2/3	●				●	●		●
C380	X	☆	2/3	●				●	●		●
T81J	EN	▲	2-6	●	●	○		●		●	●
T83H	EN	▲	2-5	●	●			●		●	●
T83G	EN	▲	2-4	●	●			●		●	●
T72V	EN	■	2-4	●	●			●		●	●
T12Z	X	■	2-4	●				●		●	●
C68V	EN	■	2-4	●				●		●	●
C69V	EN	■	2-4	●				●		●	●
C77B	EN	☆	3	●				●		●	●
C752	X	☆	2	●				●		●	●
C514	UL	▲	2-4	●	●			●		●	●
C68Z	UL	■	2-4	●	○			●		●	●
C69Z	UL	■	2-4	●				●		●	●
C77Z	UL	■	2-4	●	○			●		●	●
C100	UL★	☆	1/2/3/4	●				●		●	●
C800	UL◇	☆	2/3/4/5	●				●		●	●

T : Aluminum Extrusion
C : Casting

● : Standard
○ : Option
▲ : Adjustable
■ : Selectable
☆ : Fixed

★ : only for size 2
◇ : size 5 non UL

T93P

Surface Mounted Cam-Action Door Closer with Track Arm



Certificate:
1121-CPR-AD5049



Product Features:

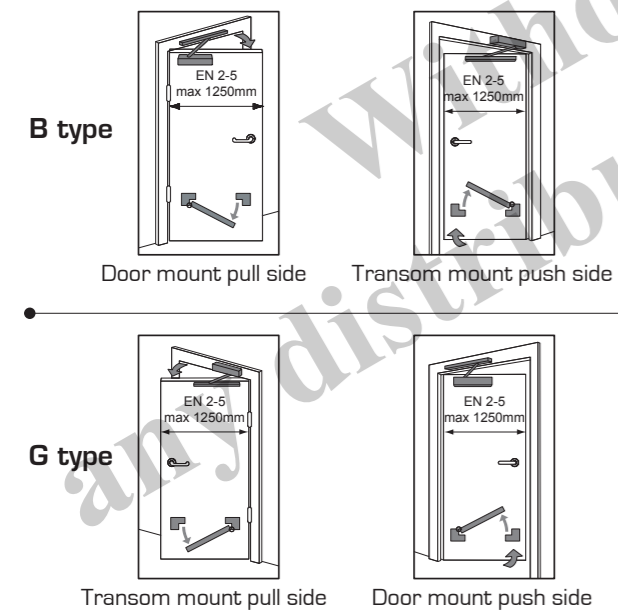
- Adjustable power size 2~5
- Adjustable closing & latching speed
- Adjustable back check
- Adjustable delay action
- Thermo-constant valve
- Surface mount
- Cam action
- Track arm
- Single-action door
- Non-handed installation

- Power size 2~5
- Max. Door width (mm) 1250
- Max. Opening Angle 180

Application Ranges:

- B type: Door mount pull side & transom mount push side
- G type: Door mount push side & transom mount pull side

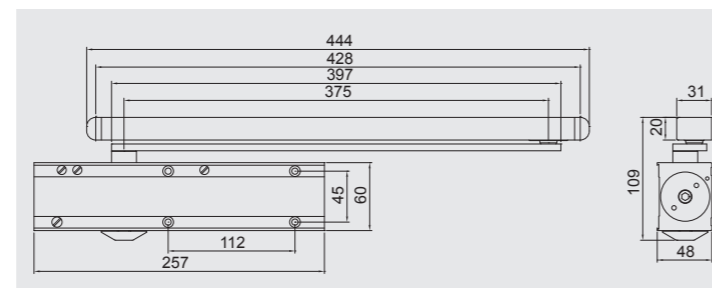
Installation:



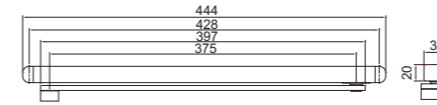
Finishes:

- Anodized aluminum for door closer body and track rail as standard
- Painted – silver, brown, gold, black, white & other RAL colors upon request & discussion
- Plating (for cover only)-US finish code colors upon request & discussion

Dimensions:



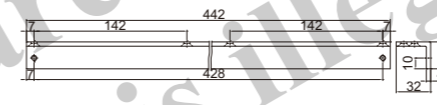
Accessories



ZAR-I111

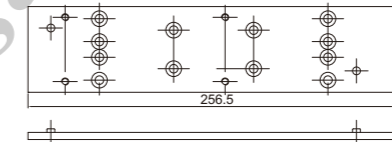
- Track arm & rail
- EN Certified

Options



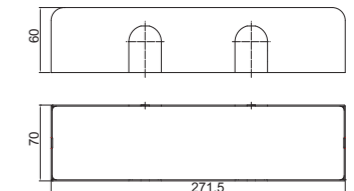
ZPA-T01

- Angle Bracket
- G Type Push Side



ZMO-T09000

- Mounting Plate
- Accompanied with Cover

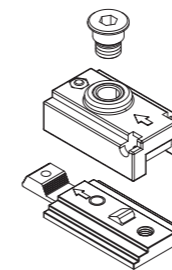


ZCO-T05

- Metal Cover (Steel)
- Non-handed

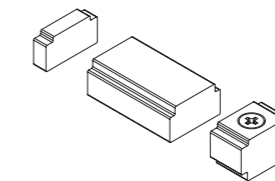
ZCO-T06

- Metal Cover (Stainless Steel)
- Non-handed



ZSCR-T118

- Hold-Open Device
- For track arm & rail: ZAR-I111



ZSCR-T111

- Cushion
- For track arm & rail: ZAR-I111

T92G

Surface Mounted Cam-Action Door Closer with Track Arm



Certificate:
1121-CPR-AD5136



Product Features:

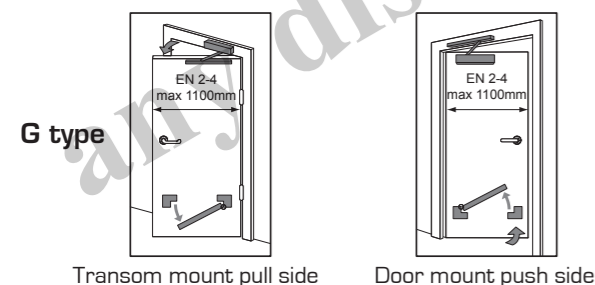
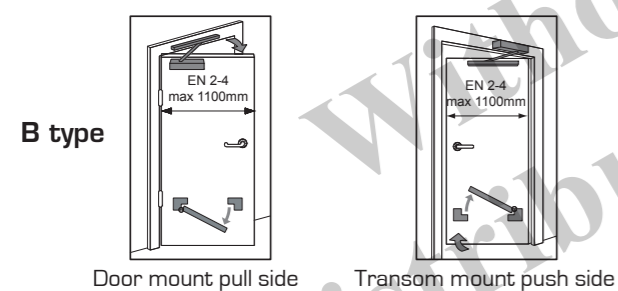
- Adjustable power size 2~4
- Adjustable closing & latching speed
- Adjustable back check
- Thermo-constant valve
- Surface mount
- Cam action
- Track arm
- Single-action door
- Non-handed installation

- Power size 2~4
- Max. Door width (mm) 1100
- Max. Opening Angle 180

Application Ranges:

- B type: Door mount pull side & transom mount push side
- G type: Door mount push side & transom mount pull side

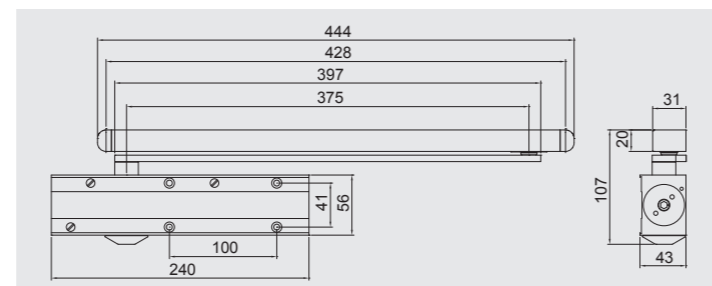
Installation:



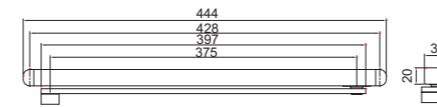
Finishes:

- Anodized aluminum for door closer body and track rail as standard
- Painted – silver, brown, gold, black, white & other RAL colors upon request & discussion
- Plating (for cover only)-US finish code colors upon request & discussion

Dimensions:



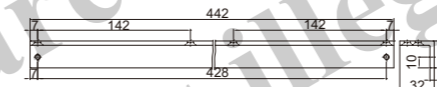
Accessories



ZAR-I111

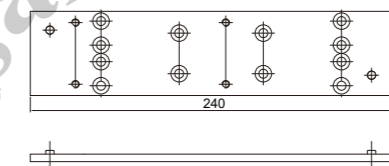
- Track arm & rail
- EN Certified

Options



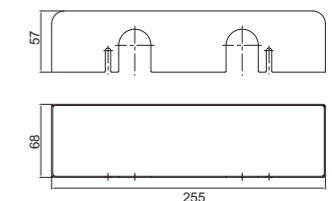
ZPA-T01

- Angle Bracket
- G Type Push Side



ZMO-T29000

- Mounting Plate

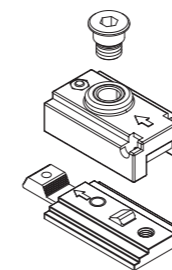


ZCO-T15

- Metal Cover (Steel)
- Non-handed

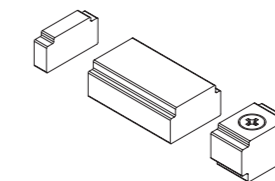
ZCO-T16

- Metal Cover (Stainless Steel)
- Non-handed



ZSCR-T118

- Hold-Open Device
- For track arm & rail: ZAR-I111



ZSCR-T111

- Cushion
- For track arm & rail: ZAR-I111

T91B

Surface Mounted Cam-Action Door Closer with Track Arm



Certificate:
1121-CPR-AD5142



Product Features:

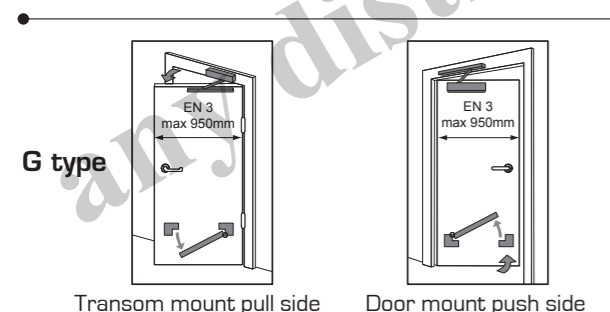
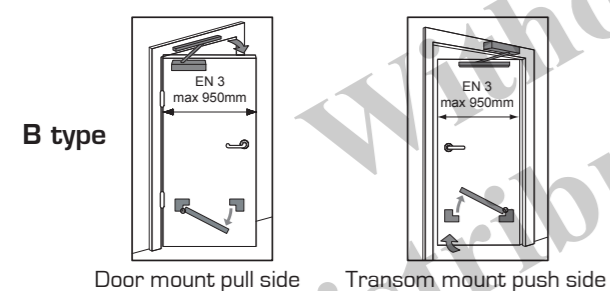
- Fixed power size 3
- Adjustable closing & latching speed
- Thermo-constant valve
- Surface mount
- Cam action
- Track arm
- Single-action door
- Non-handed installation

- Power size 3
- Max. Door width (mm) 950
- Max. Opening Angle 180

Application Ranges:

- B type: Door mount pull side & transom mount push side
- G type: Door mount push side & transom mount pull side

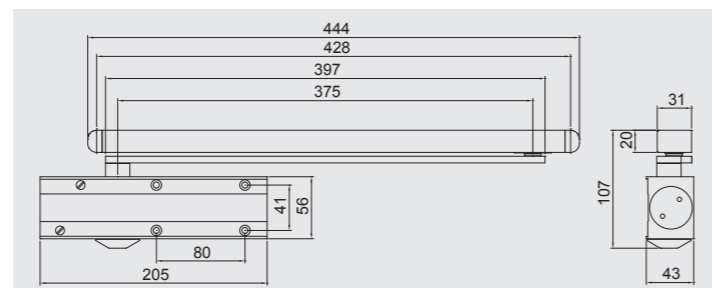
Installation:



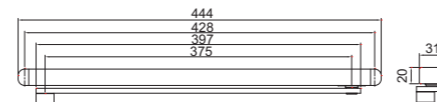
Finishes:

- Anodized aluminum for door closer body and track rail as standard
- Painted – silver, brown, gold, black, white & other RAL colors upon request & discussion
- Plating (for cover only)-US finish code colors upon request & discussion

Dimensions:



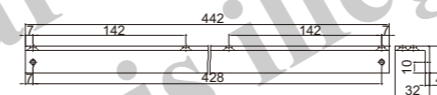
Accessories



ZAR-I111

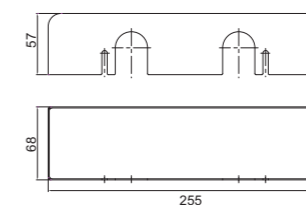
- Track arm & rail
- EN Certified

Options



ZPA-T01

- Angle Bracket
- G Type Push Side

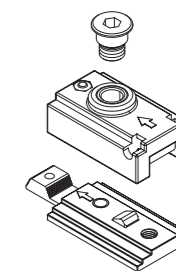


ZCO-T15

- Metal Cover (Steel)
- Non-handed

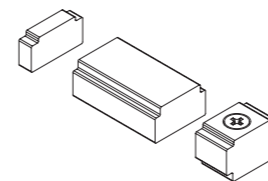
ZCO-T16

- Metal Cover (Stainless Steel)
- Non-handed



ZSCR-T118

- Hold-Open Device
- For track arm & rail: ZAR-I111



ZSCR-T111

- Cushion
- For track arm & rail: ZAR-I111

T96G

Concealed Cam-Action Door Closer with Track Arm



Certificate:
1121-CPR-AD5073



Product Features:

- Adjustable power size 2~4
- Adjustable closing & latching speed
- Thermo-constant valve
- Concealed mount
- Cam action
- Track arm (Large as standard & Small as option)
- Single-action door
- Non-handed installation
- T96G can be installed in virtually all doors with minimum thickness of 40 mm, and regular fire door 44 mm and 54 mm.

- Power size 2~4
- Max. Door width (mm) 1100
- Max. Opening Angle 120

Application Ranges:

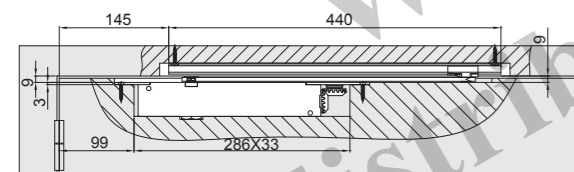
- Concealed in door
- Concealed in transom

Finishes:

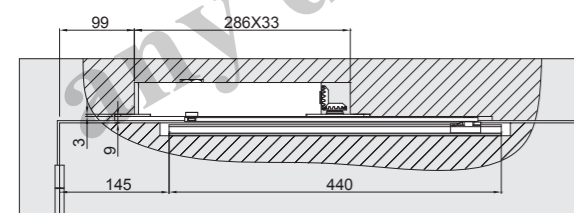
- Anodized aluminum for door closer body and track rail as standard
- Painted – silver, brown, gold, black, white & other RAL colors upon request & discussion

Installation:

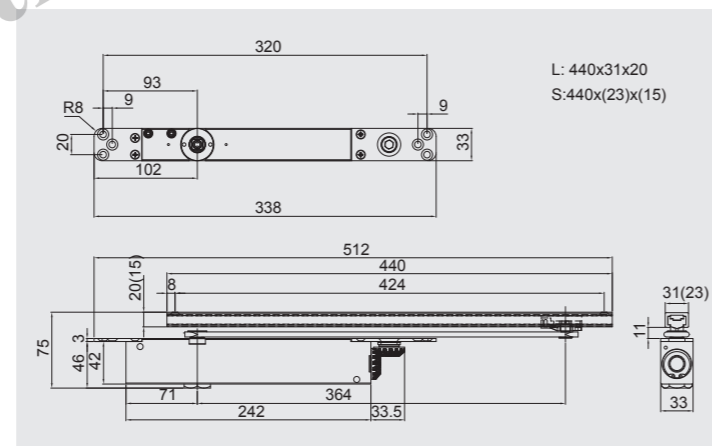
- Concealed in door



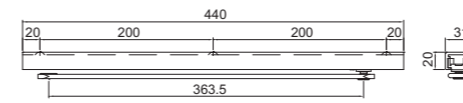
- Concealed in transom



Dimensions:

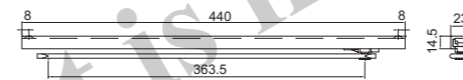


Accessories

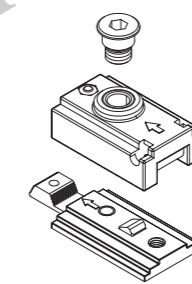


- ZAR-I150 (large)**
- Track arm & rail
 - EN Certified

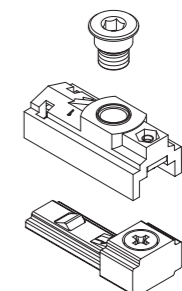
Options



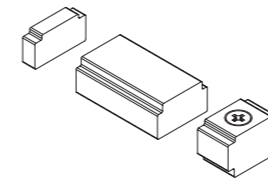
- ZAR-I145 (small)**
- Track arm & rail
 - EN Certified



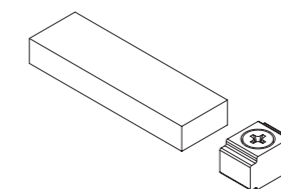
- ZSCR-T126**
- Hold-Open Device
 - For track arm & rail: ZAR-I150 (Large)



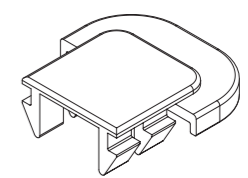
- ZSCR-T116**
- Hold-Open Device
 - For track arm & rail: ZAR-I145 (Small)



- ZSCR-T111**
- Cushion
 - For track arm & rail: ZAR-I150 (Large)



- SCR-T109**
- Cushion
 - For track arm & rail: ZAR-I145 (Small)



- ZSCR-T012**
- End Cap
 - For track arm & rail: ZAR-I145 (Small)

T65G

Concealed Cam-Action Door Closer with Track Arm



Product Features:

- Adjustable power size 2~4
- Adjustable closing & latching speed
- Adjustable back check
- Adjustable delay action (optional upon request) ★
- Thermo-constant valve
- Surface mount
- Rack & Pinion
- Track arm
- Single-action door
- Non-handed installation

- **Power size** 2~4
- **Max. Door width (mm)** 1100
- **Max. Opening Angle** 180

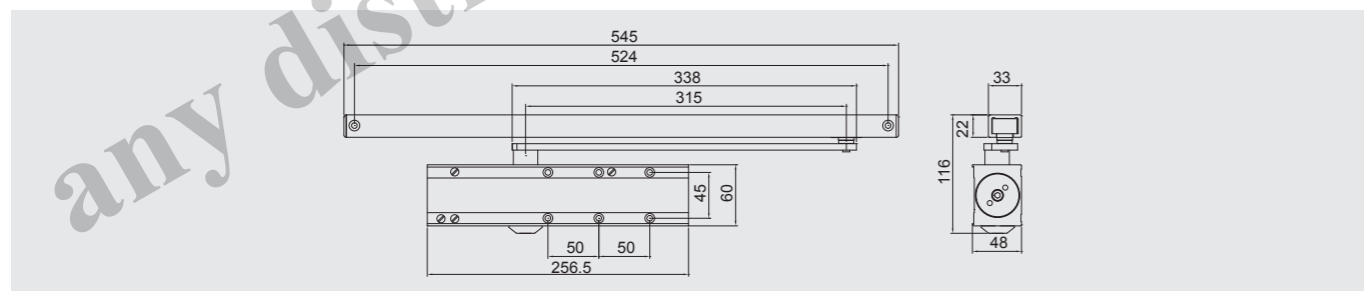
Application Ranges:

- Standard door mount on pull side
- Transom mount on pull and push side

Finishes:

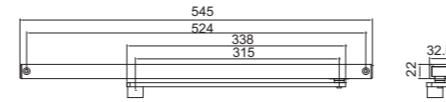
- Anodized aluminum for door closer body as standard
- Painted – silver, brown, gold, black, white & other RAL colors upon request & discussion
- Plating (for cover only)-US finish code colors upon request & discussion

Dimensions:



★ This option is not covered by the Certificate

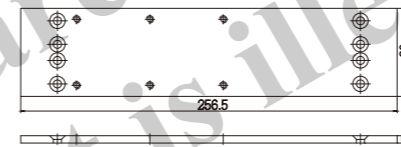
Accessories



ZAR-I149

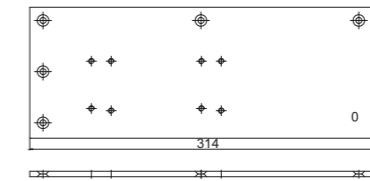
- Track arm & rail
- EN Certified

Options



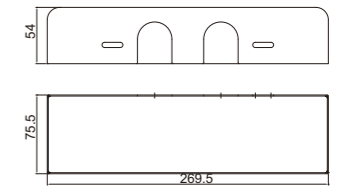
ZMO-C65000

- Mounting Plate



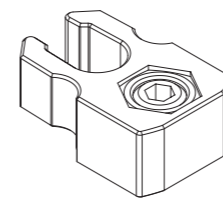
ZMO-C75000

- Drop Plate



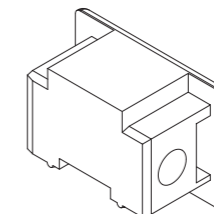
ZCO-C75000

- Metal Cover (Steel)
- Non-handed



ZAB-D078-63

- Hold-Open Device
- For track arm & rail: ZAR-I149



ZAA-D078-66

- End Cap
- For track arm & rail: ZAR-I149

T63B

Surface Mounted Rack & Pinion Door Closer with Track Arm



Certificate:
1121-CPR-AD5013



Product Features:

- Fixed power size 3
- Adjustable closing & latching speed
- Adjustable back check (optional upon request)
- Thermo-constant valve
- Surface mount
- Rack & Pinion
- Track arm
- Single-action door
- Non-handed installation

- **Power size** 3
- **Max. Door width (mm)** 950
- **Max. Opening Angle** 180

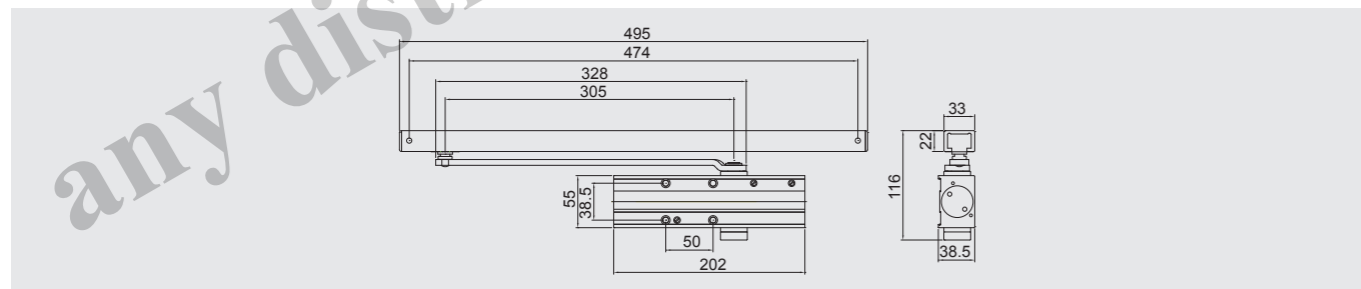
Application Ranges:

- Standard door mount on pull side
- Transom mount on pull and push side

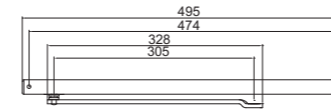
Finishes:

- Anodized aluminum for door closer body and track rail as standard
- Painted – silver, brown, gold, black, white & other RAL colors upon request & discussion

Dimensions:

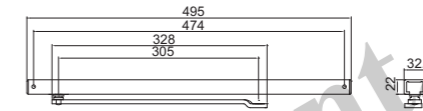


Accessories



ZAR-I136

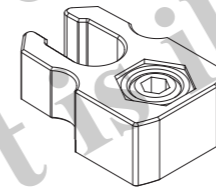
- Track arm & rail
- EN Certified



ZAR-I151

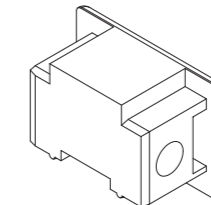
- Track arm & rail
- Heat treating arm for back check
- EN Certified

Options



ZAB-D078-63

- Hold-Open Device
- For track arm & rail:
ZAR-I136 & ZAR-I151



ZAA-D078-66

- End Cap
- For track arm & rail:
ZAR-I136 & ZAR-I151

T66B (T660)

Concealed Rack & Pinion Door Closer with Track Arm



Certificate:
1121-CPR-AD0192



Product Features:

- Fixed power size 3
- Adjustable closing & latching speed
- Thermo-constant valve
- Concealed mount
- Rack & Pinion
- Track arm
- Hold-open function is reversible
- Built in cushion limit stay
- Single-action door
- Non-handed installation

- **Power size** 3
- **Max. Door width (mm)** 950
- **Max. Opening Angle** 105

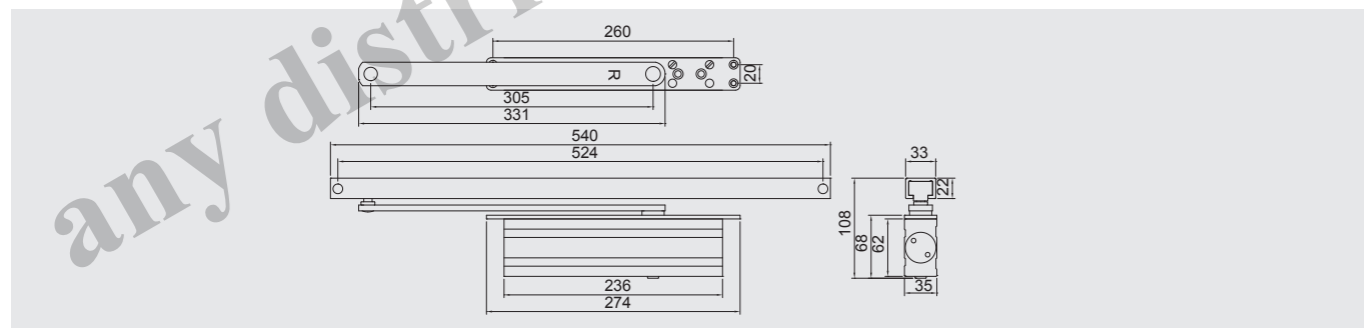
Application Ranges:

- Concealed in door

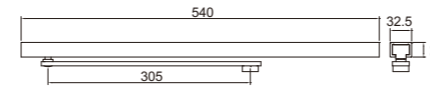
Finishes:

- Anodized aluminum for door closer body as standard
- Painted – silver, brown, gold, black, white & other RAL colors upon request & discussion

Dimensions:

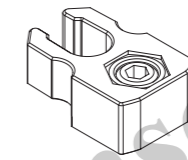


Accessories



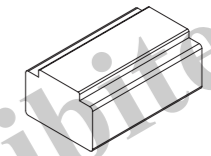
ZAR-L088

- Track arm & rail
- EN Certified



ZAB-D078-63

- Hold-Open Device
- Reversible (HO & Non-HO)
- For track arm & rail: ZAR-L088



ZAA-L088-68

- Cushion
- For track arm & rail: ZAR-L088

T420

Concealed Rack & Pinion Door Closer with Track Arm



Product Features:

- Fixed power size 2/3 EN compliance
- Adjustable closing & latching speed
- Thermo-constant valve
- Concealed mount
- Rack & Pinion
- Track arm
- Single-action door
- Non-handed installation

Power size	2	3
Max. Door width (mm)	850	950
Max. Opening Angle	120	

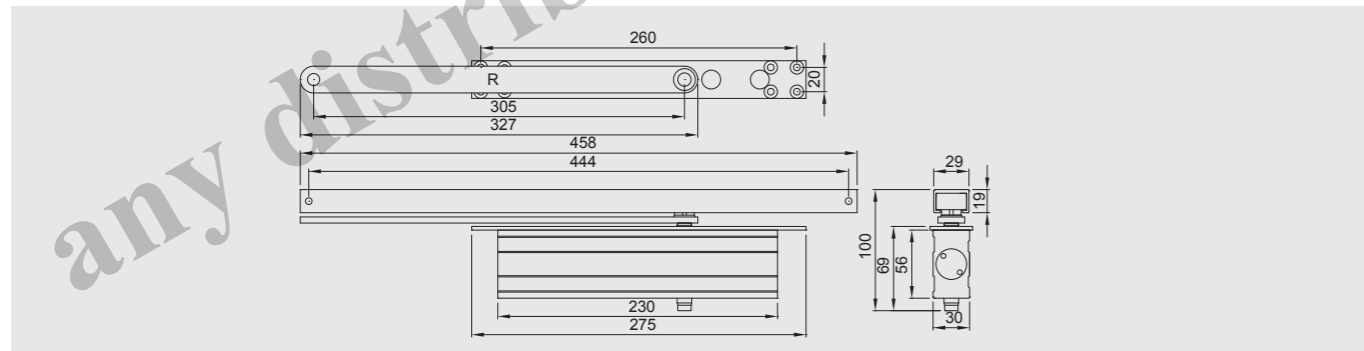
Application Ranges:

- Concealed in door
- Concealed in transom

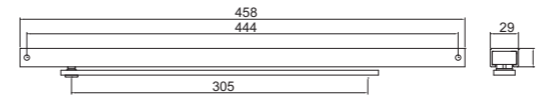
Finishes:

- Anodized aluminum for door closer body as standard
- Painted – silver, brown, gold, black, white & other RAL colors upon request & discussion

Dimensions:



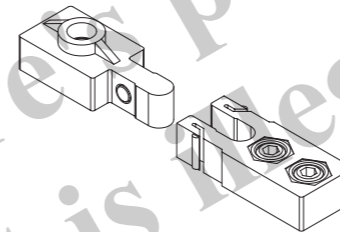
Accessories



ZAR-IO40

- Track arm & rail

Options



ZAB-D026-62

- Hold-Open Device
- For track arm & rail: ZAR-IO40

C380

Concealed Rack & Pinion Door Closer with Track Arm



Product Features:

- Fixed power size 2&3 EN compliance
- Adjustable closing & latching speed
- Thermo-constant valve
- Concealed mount
- Rack & Pinion
- Track arm
- Single-action door
- Non-handed installation

Power size	2	3
Max. Door width (mm)	850	950
Max. Opening Angle	120	

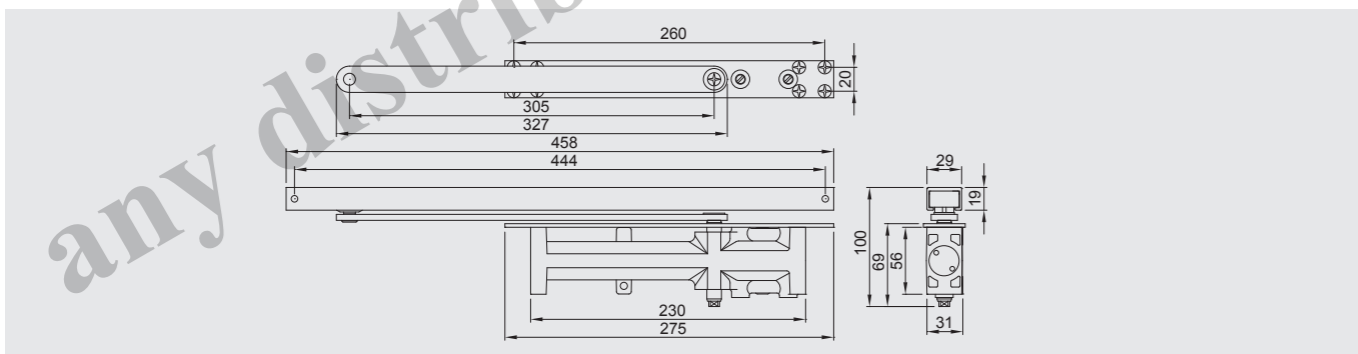
Application Ranges:

- Concealed in door
- Concealed in transom

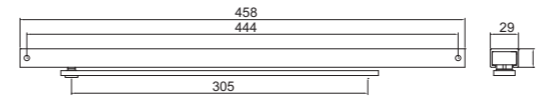
Finishes:

- Anodized aluminum for door closer body as standard
- Painted – silver, brown, gold, black, white & other RAL colors upon request & discussion

Dimensions:



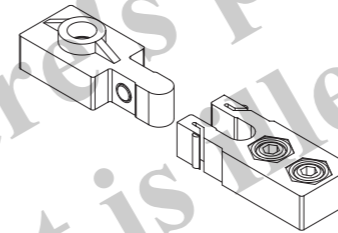
Accessories



ZAR-IO40

- Track arm & rail

Options



ZAB-D026-62

- Hold-Open Device
- For track arm & rail: ZAR-IO40

T81J

Rack & Pinion Door Closer with Standard Arm



Certificate:
1121-CPR-AD5214



Product Features:

- Adjustable power size 2~6
- Adjustable closing & latching speed
- Adjustable back check
- Adjustable delay action (optional upon request) ★
- Thermo-constant valve
- Surface mount
- Rack & pinion
- Standard arm
- Single-action door
- Non-handed installation

- Power size 2~6
- Max. Door width (mm) 1400
- Max. Opening Angle 180

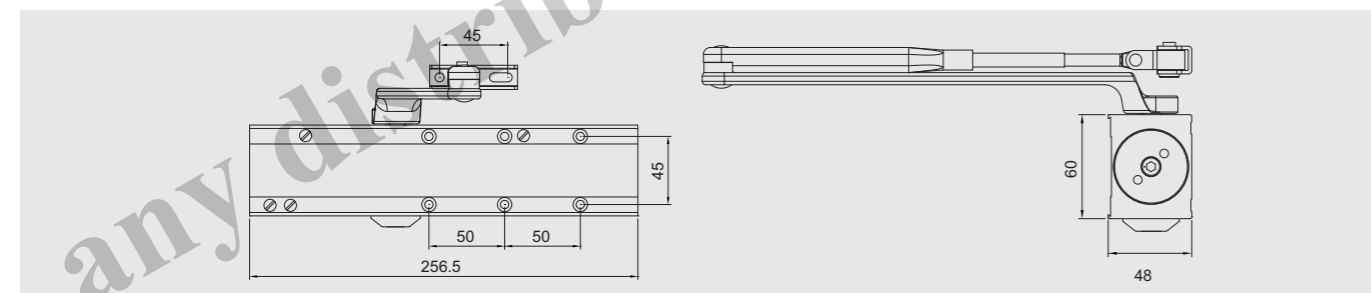
Application Ranges:

- Standard door mount on pull side
- Transom mount on push side ★
- Parallel bracket mount on size 3~5

Finishes:

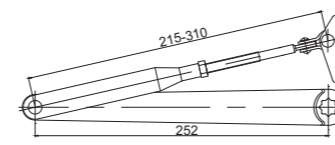
- Anodized aluminum for door closer body as standard
- Painted-silver, brown, gold, black, white & other RAL colors upon request & discussion
- Plating (for cover only)-US finish code colors upon request & discussion

Dimensions:



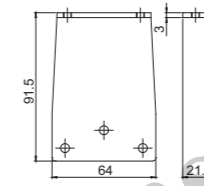
★ This option is not covered by the Certificate

Accessories



ZAR-A086

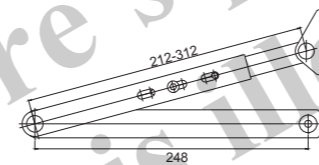
- Standard arm
- Non-handed
- EN Certified



ZPA-H01

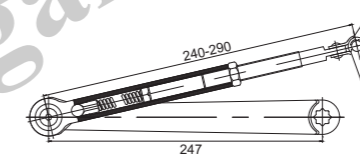
- Parallel bracket
- EN Certified

Options



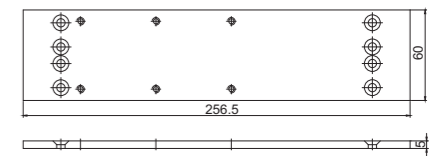
ZAR-A084

- Flat arm
- Non-handed
- EN Certified



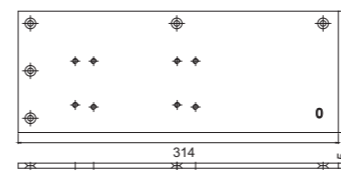
ZAR-B089

- Hold-open arm
- Non-handed



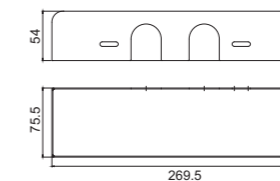
ZMO-C65000

- Mounting Plate



ZMO-C75000

- Drop Plate



ZCO-C76630

- Metal Cover (Stainless Steel)
- Non-handed

T83H

Rack & Pinion Door Closer with Standard Arm



Certificate:
1121-CPR-AD0202



Product Features:

- Adjustable power size 2~5
- Adjustable closing & latching speed
- Adjustable back check
- Thermo-constant valve
- Surface mount
- Rack & pinion
- Standard arm
- Single-action door
- Non-handed installation

- Power size 2~5
- Max. Door width (mm) 1250
- Max. Opening Angle 180

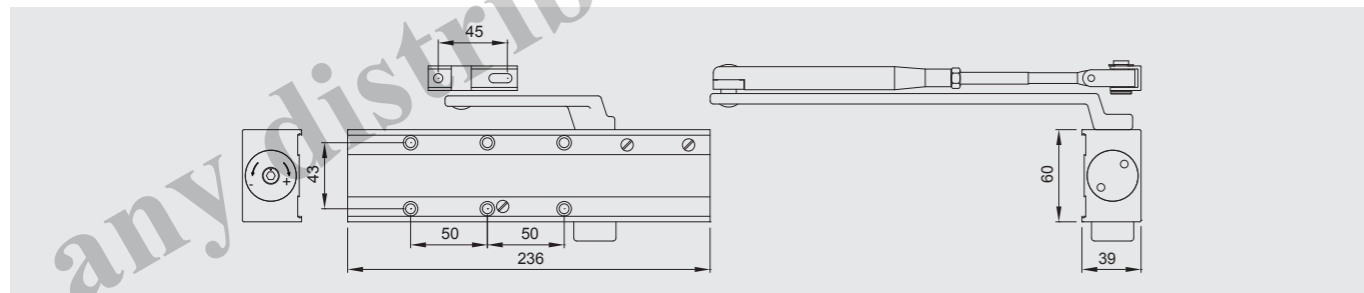
Application Ranges:

- Standard door mount on pull side
- Transom mount on push side ★
- Parallel bracket mount on size 3~4

Finishes:

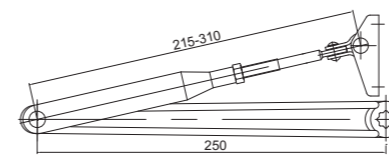
- Anodized aluminum for door closer body as standard
- Painted – silver, brown, gold, black, white & other RAL colors upon request & discussion
- Plating (for cover only)-US finish code colors upon request & discussion

Dimensions:



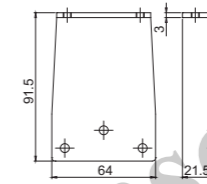
★ This option is not covered by the Certificate

Accessories



ZAR-A005

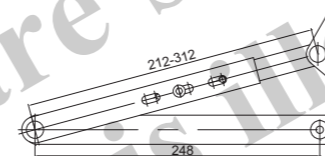
- Standard arm
- Non-handed
- EN Certified



ZPA-H01

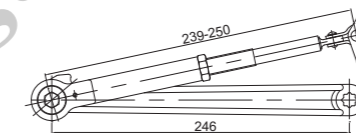
- Parallel bracket
- EN Certified

Options



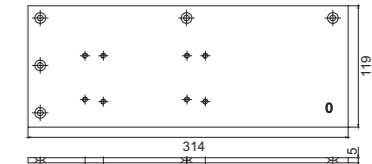
ZAR-A083

- Flat arm
- Non-handed
- EN Certified



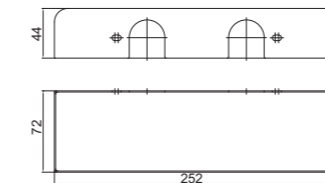
ZAR-B048

- Hold-open arm
- Non-handed



ZMO-C75000

- Drop Plate



ZCO-C26

- Metal Cover (Stainless Steel)
- Non-handed

T72V

Rack & Pinion Door Closer with Standard Arm



Product Features:

- Selectable position power size 2~4
- Adjustable closing & latching speed
- Adjustable back check
- Thermo-constant valve
- Surface mount
- Rack & pinion
- Standard arm
- Single-action door
- Non-handed installation

- **Power size** 2~4
- **Max. Door width (mm)** 1100
- **Max. Opening Angle** 180

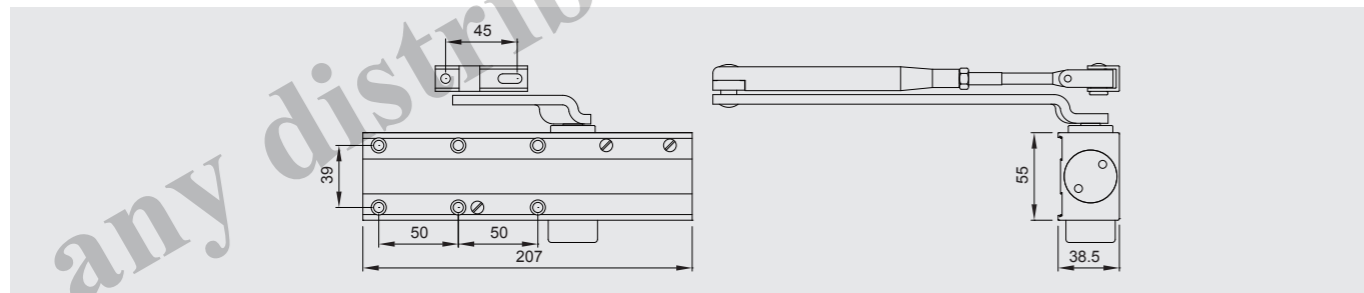
Application Ranges:

- Standard door mount on pull side
- Transom mount on push side
- Parallel bracket mount on size 3

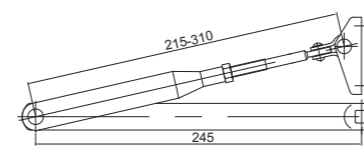
Finishes:

- Anodized aluminum for door closer body as standard
- Painted – silver, brown, gold, black, white & other RAL colors upon request & discussion
- Plating (for cover only)-US finish code colors upon request & discussion

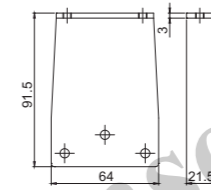
Dimensions:



Accessories

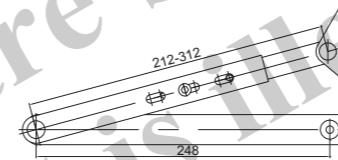


- ZAR-A028**
- Standard arm
 - Non-handed
 - EN Certified

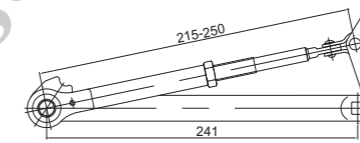


- ZPA-H01**
- Parallel bracket
 - EN Certified

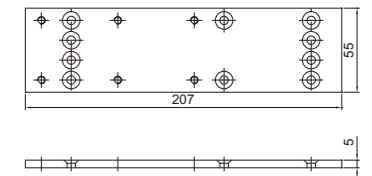
Options



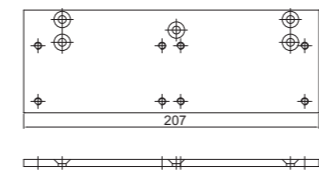
- ZAR-A083**
- Flat arm
 - Non-handed
 - EN Certified



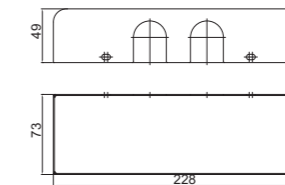
- ZAR-B045**
- Hold-open arm
 - Non-handed



- ZMO-E25A01B62**
- Mounting Plate



- ZMO-E15**
- Drop Plate



- ZCO-C45**
- Metal Cover (Steel)
 - Non-handed

T12Z

Rack & Pinion Door Closer with Standard Arm



Product Features:

- Selectable position power size 2~4 EN compliance
- Adjustable closing & latching speed
- Surface mount
- Rack & pinion
- Standard arm
- Built in hold-open (optional upon request)
- Single-action door
- Non-handed installation

Power size	2	3	4
Max. Door width (mm)	850	950	1100
Max. Opening Angle	120	120	105

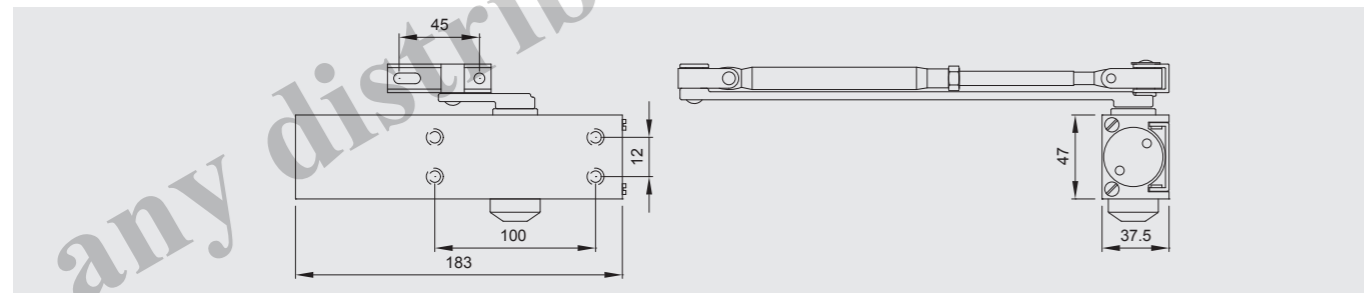
Application Ranges:

- Standard door mount on pull side
- Transom mount on push side
- Parallel bracket mount

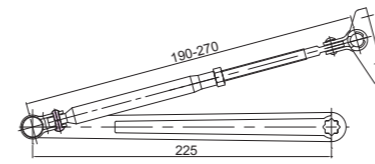
Finishes:

- Anodized aluminum for door closer body as standard
- Painted – silver, brown, gold, black, white & other RAL colors upon request & discussion

Dimensions:

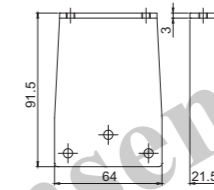


Accessories



ZAR-A002

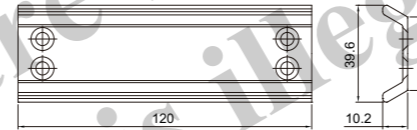
- Standard arm
- Non-handed



ZPA-H01

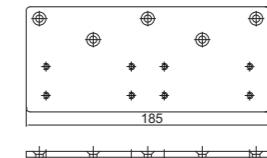
- Parallel bracket

Options



ZDAT12ZA-10=50

- Mounting Plate



ZMO-D05

- Drop Plate

C68V

Rack & Pinion Door Closer with Standard Arm



Product Features:

- Selectable position power size 2~4
- Adjustable closing & latching speed
- Thermo-constant valve
- Surface mount
- Rack & pinion
- Standard arm mechanism
- Single-action door
- Non-handed installation

- Power size 2~4
- Max. Door width (mm) 1100
- Max. Opening Angle 180

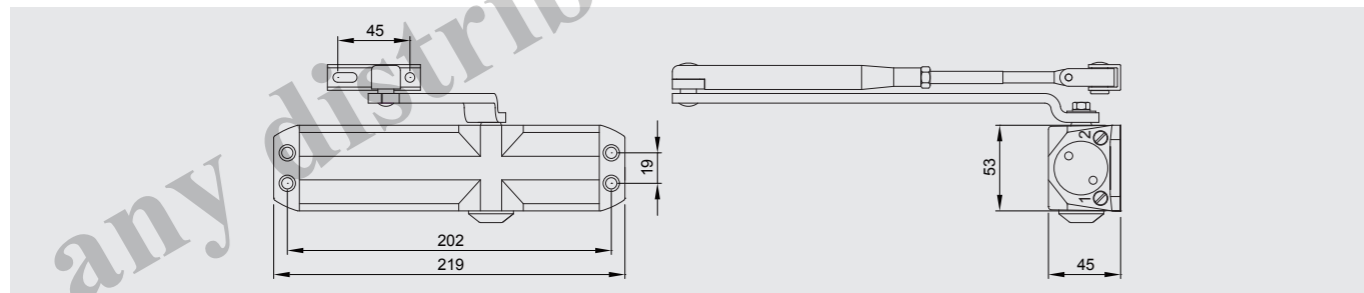
Application Ranges:

- Standard door mount on pull side
- Transom mount on push side ★
- Parallel bracket mount on size 3

Finishes:

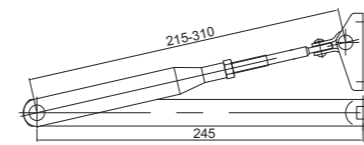
- Painted – silver, brown, gold, black, white & other RAL colors upon request & discussion
- Plating (for cover only)-US finish code colors upon request & discussion

Dimensions:

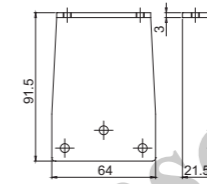


★ This option is not covered by the Certificate

Accessories

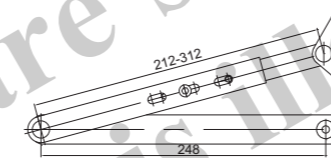


- ZAR-A028**
- Standard arm
 - Non-handed
 - EN Certified

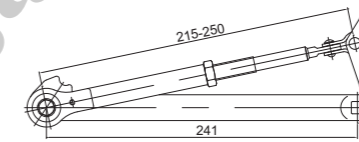


- ZPA-H01**
- Parallel bracket
 - EN Certified

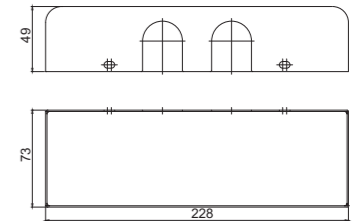
Options



- ZAR-A083**
- Flat arm
 - Non-handed
 - EN Certified



- ZAR-B045**
- Hold-open arm
 - Non-handed



- ZCO-C45**
- Metal Cover (Steel)
 - Non-handed

C69V

Rack & Pinion Door Closer with Standard Arm



Certificate:
1121-CPR-AD5283



Product Features:

- Selectable position power size 2~4
- Adjustable closing & latching speed
- Thermo-constant valve
- Surface mount
- Rack & pinion
- Standard arm
- Single-action door
- Non-handed installation

- Power size 2~4
- Max. Door width (mm) 1100
- Max. Opening Angle 180

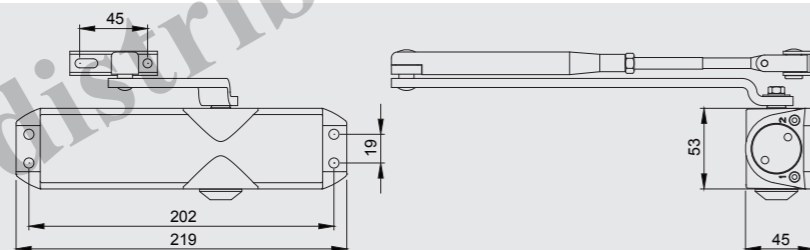
Application Ranges:

- Standard door mount on pull side
- Transom mount on push side ★
- Parallel bracket mount on size 3

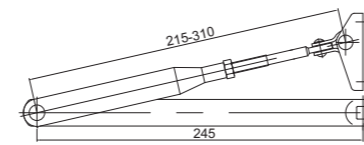
Finishes:

- Painted – silver, brown, gold, black, white & other RAL colors upon request & discussion

Dimensions:

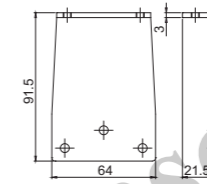


Accessories



ZAR-A028

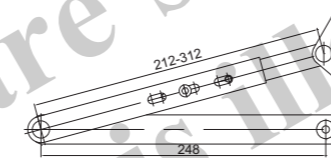
- Standard arm
- Non-handed
- UL Certified



ZPA-H01

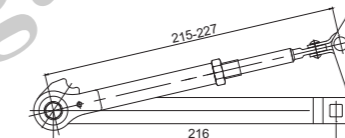
- Parallel bracket
- UL Certified

Options



ZAR-A083

- Flat arm
- Non-handed
- EN Certified



ZAR-B020

- Hold-open arm
- Non-handed

★ This option is not covered by the Certificate

C77B

Rack & Pinion Door Closer with Standard Arm



Product Features:

- Fixed power size 3
- Adjustable closing & latching speed
- Thermo-constant valve
- Surface mount
- Rack & Pinion
- Standard arm
- Single-action door
- Non-handed installation

- Power size 3
- Max. Door width (mm) 950
- Max. Opening Angle 180

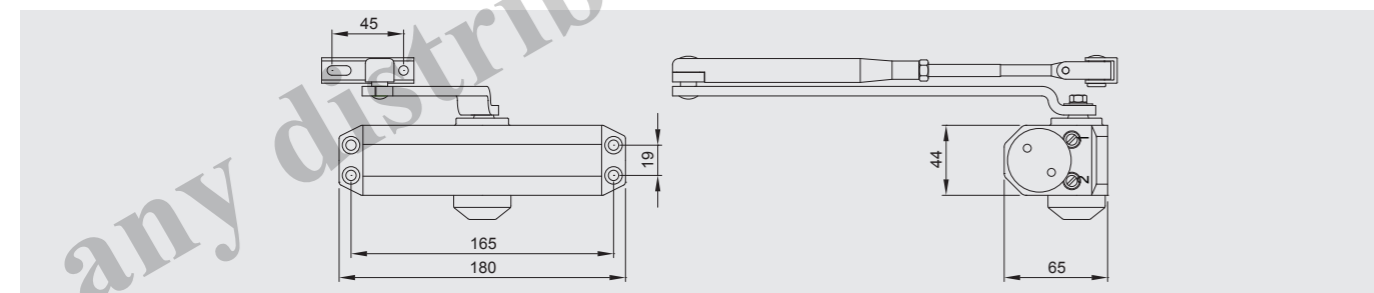
Application Ranges:

- Standard door mount on pull side
- Transom mount on push side
- Parallel bracket mount on size 3

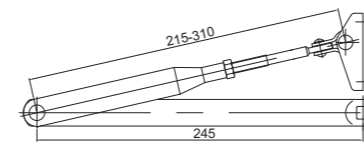
Finishes:

- Painted – silver, brown, gold, black, white & other RAL colors upon request & discussion
- Plating (for cover only) -US finish code colors upon request & discussion

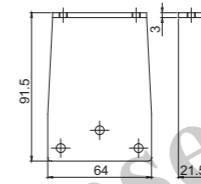
Dimensions:



Accessories

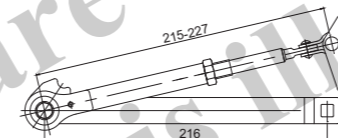


- ZAR-A028**
- Standard arm
 - Non-handed
 - EN Certified

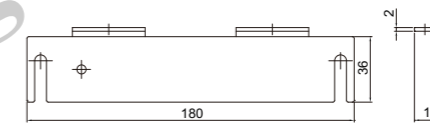


- ZPA-H01**
- Parallel bracket
 - EN Certified

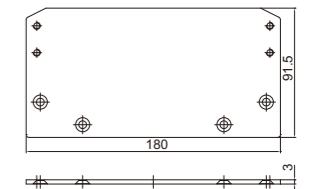
Options



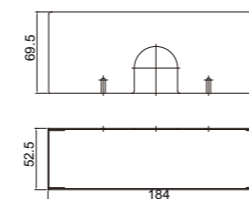
- ZAR-B020**
- Hold-open arm
 - Non-handed



- ZMO-H15B01**
- Mounting Plate



- ZMO-H05000**
- Drop Plate



- ZCO-H0500E**
- Metal Cover (Steel)
 - Non-handed

C752

Rack & Pinion Door Closer with Standard Arm



Product Features:

- Fixed power size 2 EN compliance
- Adjustable closing & latching speed
- Surface mount
- Rack & pinion
- Standard arm
- Built in hold-open (optional upon request)
- Single-action door
- Non-handed installation

- Power size 2
- Max. Door width (mm) 900
- Max. Opening Angle 120

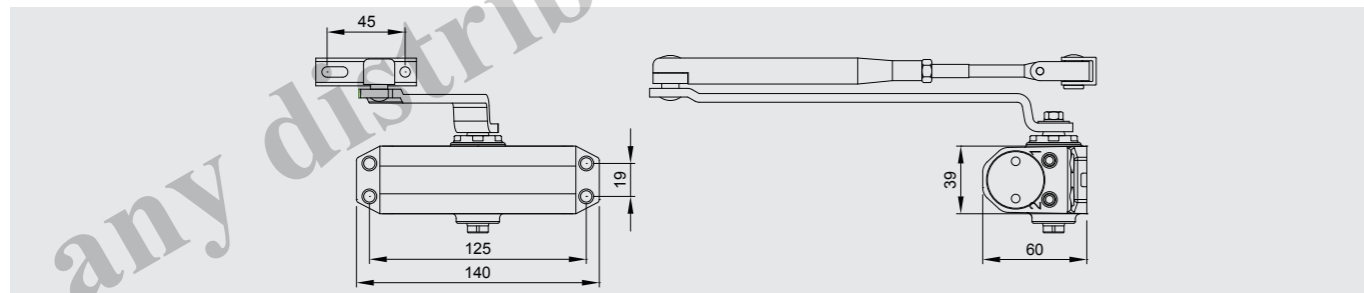
Application Ranges:

- Standard door mount on pull side
- Transom mount on push side

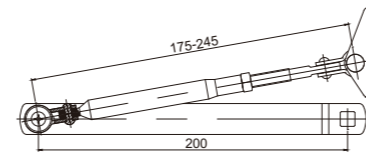
Finishes:

- Painted – silver, brown, gold, black, white & other RAL colors upon request & discussion

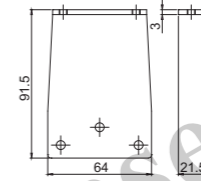
Dimensions:



Accessories



- ZAR-A137**
- Standard arm
 - Non-handed



- ZPA-H01**
- Parallel bracket

Without Fortress-Hardware's prior consent, any distribution of this document is illegal and prohibited.

C53F

ANSI G1 Standard

Rack & Pinion Door Closer with Standard Arm



LISTED
ANSI A156.4 G1

Product Features:

- Adjustable power size 1~4
- Adjustable closing & latching speed
- Adjustable backcheck
- Thermo-constant valve
- Surface mount
- Rack & Pinion
- Standard arm
- Single-action door
- Non-handed installation

Application Ranges:

- Standard door mount on pull side
- Transom mount on push side
- Parallel bracket mount on size 1~4

Standard & Top Jamb:

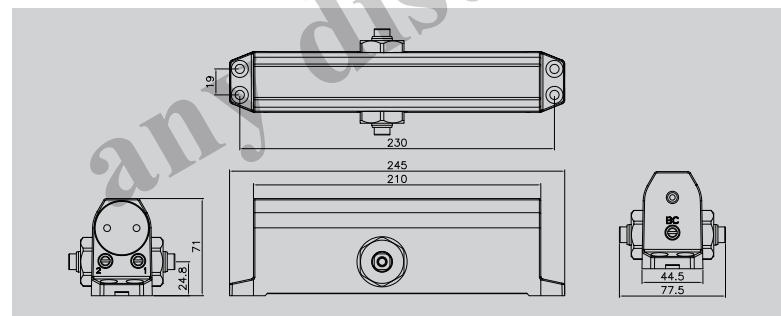
Max. Door Size [Inches (mm)]		30" (762)	36" (914)	42" (1067)	48" (1219)
Door	Interior	Size 1	Size 2	Size 3	Size 4
	Exterior	Size 3	Size 4	Size 5	Size 6

Note: 1. Indicates recommended application of door width for closer size. Determine door width, adjust spring power to match chart.
2. For parallel arm application, it requires to adjust more spring power to meet door width.

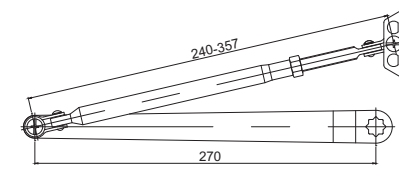
Finishes:

- Painted -silver, brown, gold, black, white & other RAL colors upon request & discussion

Dimensions:

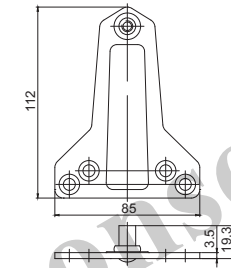


Accessories



ZAR-A153

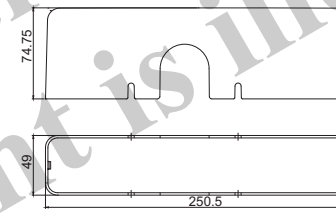
- Standard arm
- Non-handed
- UL Certified



ZPB-K08

- Parallel bracket
- UL Certified

Options



ZCO-K23

- Plastic Cover
- Non-handed

C53M

ANSI G1 Standard

Rack & Pinion Door Closer with Standard Arm



LISTED
ANSI A156.4 G1

Product Features:

- Adjustable power size 3~6
- Adjustable closing & latching speed
- Adjustable backcheck
- Thermo-constant valve
- Surface mount
- Rack & Pinion
- Standard arm
- Single-action door
- Non-handed installation

Application Ranges:

- Standard door mount on pull side
- Transom mount on push side
- Parallel bracket mount on size 3~6

Standard & Top Jamb:

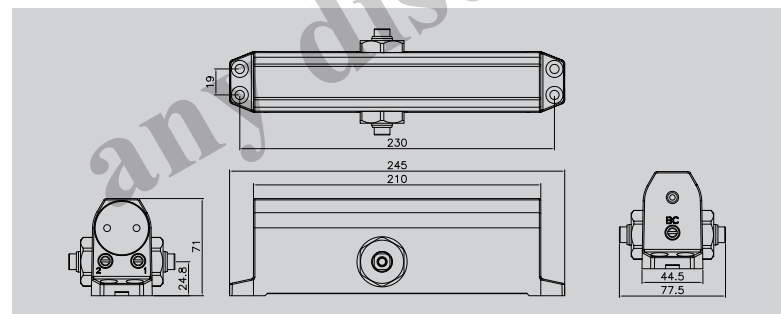
Max. Door Size [Inches (mm)]		30" (762)	36" (914)	42" (1067)	48" (1219)
Door	Interior	Size 1	Size 2	Size 3	Size 4
	Exterior	Size 3	Size 4	Size 5	Size 6

Note: 1. Indicates recommended application of door width for closer size. Determine door width, adjust spring power to match chart.
2. For parallel arm application, it requires to adjust more spring power to meet door width.

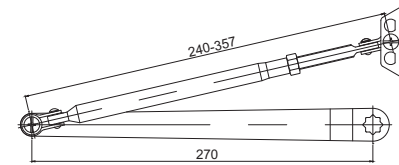
Finishes:

- Painted -silver, brown, gold, black, white & other RAL colors upon request & discussion

Dimensions:

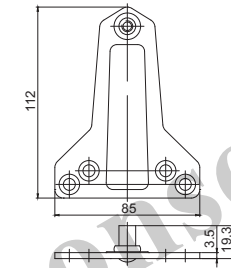


Accessories



ZAR-A153

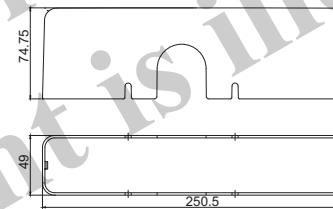
- Standard arm
- Non-handed
- UL Certified



ZPB-K08

- Parallel bracket
- UL Certified

Options



ZCO-K23

- Plastic Cover
- Non-handed

C514

Rack & Pinion Door Closer with Standard Arm



Product Features:

- Adjustable power size 2~4
- Adjustable closing & latching speed
- Adjustable back check
- Thermo-constant valve
- Surface mount
- Rack & Pinion
- Standard arm

Application Ranges:

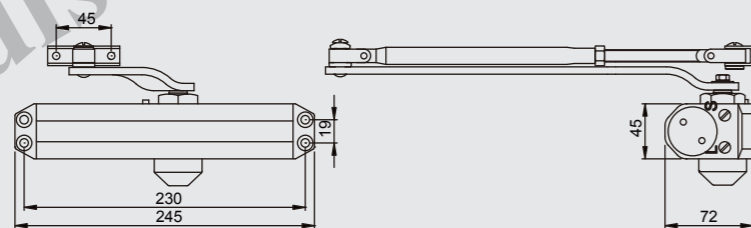
- Standard door mount on pull side
- Transom mount on push side
- Parallel bracket mount on size 2~4

Power size	2		3		4				
	Interior	Exterior		Interior	Exterior				
		swing out	swing in		swing out	swing in		swing out	swing in
Max. Door width (mm)	914	813	711	1067	914	813	1219	1067	914
Max. Opening Angle	180								

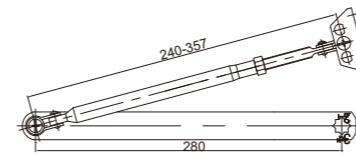
Finishes:

- Painted – silver, brown, gold, black, white & other RAL colors upon request & discussion

Dimensions:

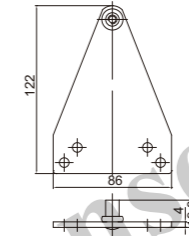


Accessories



ZAR-A044

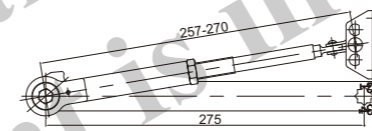
- Standard arm
- Non-handed
- UL Certified



ZPA-K04

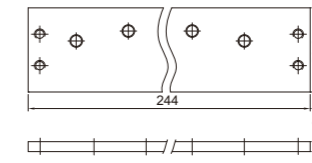
- Parallel bracket
- UL Certified

Options



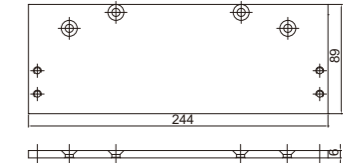
ZAR-B054

- Hold-open arm
- Non-handed



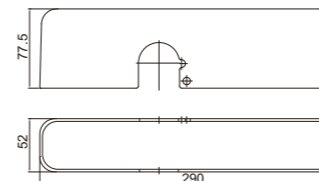
ZMO-K05000

- Mounting Plate



ZMO-K15000

- Drop Plate



ZCO-K03

- Plastic Cover
- Non-handed

C68Z

Rack & Pinion Door Closer with Standard Arm



Product Features:

- Selectable position power size 2~4
- Adjustable closing & latching speed
- Thermo-constant valve
- Surface mount
- Rack & Pinion
- Standard arm
- Single-action door
- Non-handed installation

Power size	2	3	4
Max. Door width [mm]	870	950	1100
Max. Opening Angle	180	180	160

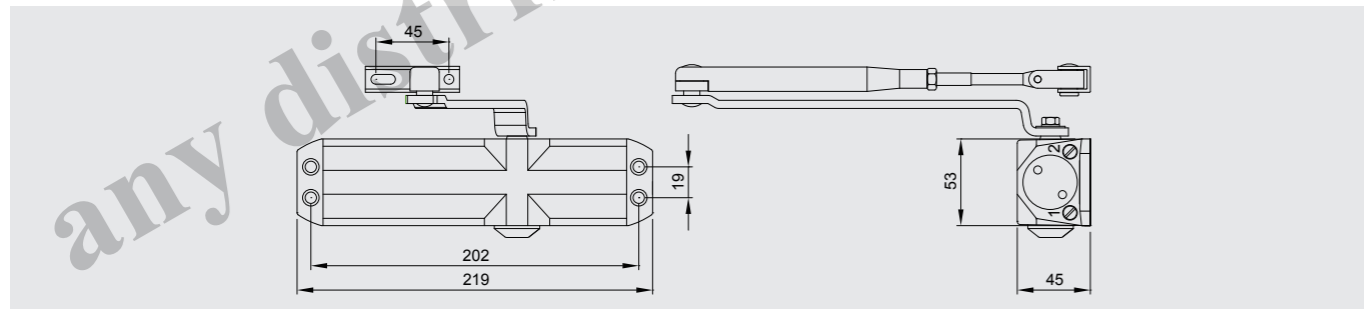
Application Ranges:

- Standard door mount on pull side
- Transom mount on push side
- Parallel bracket mount on size 2

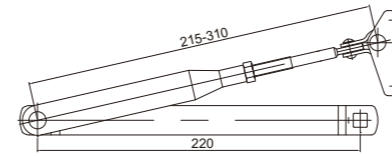
Finishes:

- Painted – silver, brown, gold, black, white & other RAL colors upon request & discussion
- Plating (for cover only) -US finish code colors upon request & discussion

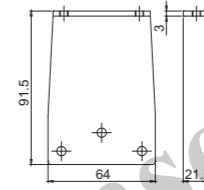
Dimensions:



Accessories

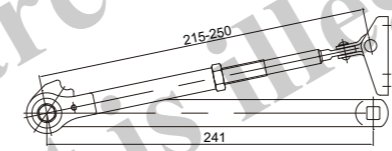


- ZAR-A013**
- Standard arm
 - Non-handed
 - UL Certified

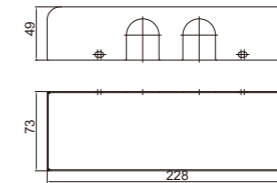


- ZPA-H01**
- Parallel bracket
 - UL Certified

Options



- ZAR-B045**
- Hold-open arm
 - Non-handed



- ZCO-C46**
- Metal Cover (Stainless Steel)
 - Non-handed

C69Z

Rack & Pinion Door Closer with Standard Arm



Product Features:

- Selectable position power size 2~4
- Adjustable closing & latching speed
- Thermo-constant valve
- Surface mount
- Rack & Pinion
- Standard arm
- Single-action door
- Non-handed installation

Power size	2	3	4
Max. Door width [mm]	870	950	1100
Max. Opening Angle	180	180	160

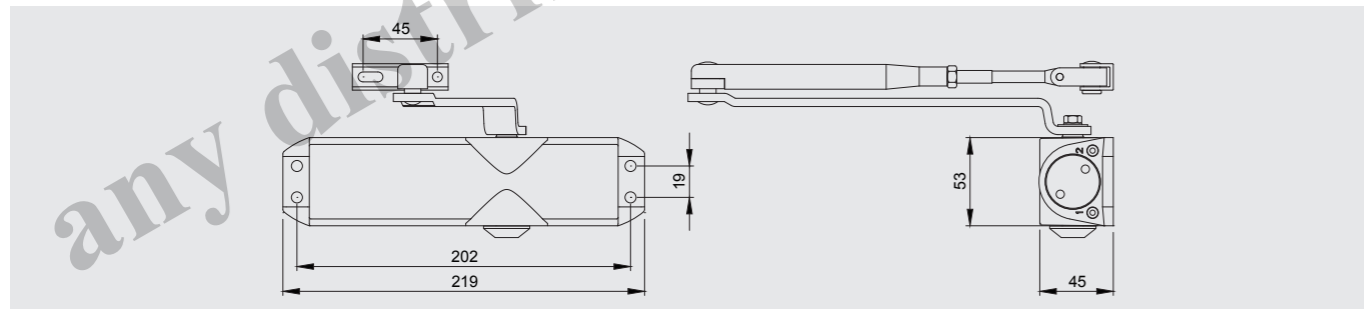
Application Ranges:

- Standard door mount on pull side
- Transom mount on push side
- Parallel bracket mount on size 2

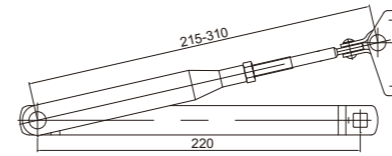
Finishes:

- Painted – silver, brown, gold, black, white & other RAL colors upon request & discussion

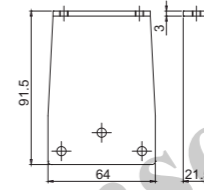
Dimensions:



Accessories

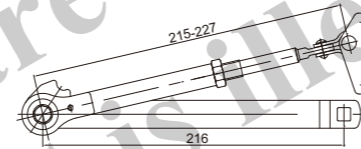


- ZAR-A013**
- Standard arm
 - Non-handed
 - UL Certified



- ZPA-H01**
- Parallel bracket
 - UL Certified

Options



- ZAR-B020**
- Hold-open arm
 - Non-handed

C77Z

Rack & Pinion Door Closer with Standard Arm



Product Features:

- Selectable position power size 2~4
- Adjustable closing & latching speed
- Adjustable back check (optional upon request)
- Thermo-constant valve
- Surface mount
- Rack & Pinion
- Standard arm
- Single-action door
- Non-handed installation

Power size	2	3	4
Max. Door width (mm)	870	950	1100
Max. Opening Angle	160	160	145

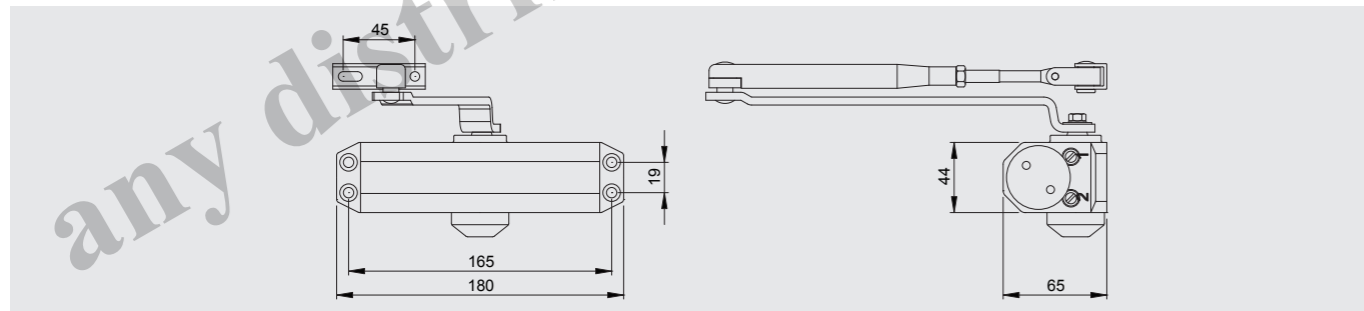
Application Ranges:

- Standard door mount on pull side
- Transom mount on push side
- Parallel bracket mount on size 2~3

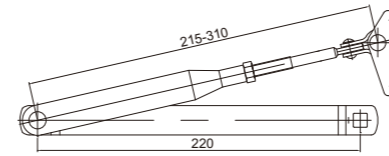
Finishes:

- Painted – silver, brown, gold, black, white & other RAL colors upon request & discussion
- Plating (for cover only) -US finish code colors upon request & discussion

Dimensions:

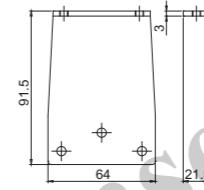


Accessories



ZAR-A013

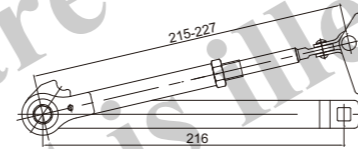
- Standard arm
- Non-handed
- UL Certified



ZPA-H01

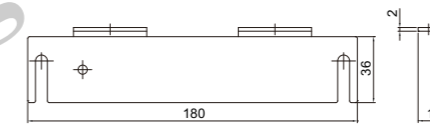
- Parallel bracket
- UL Certified

Options



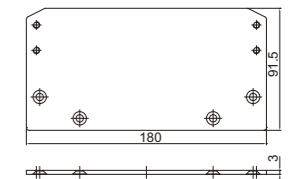
ZAR-B020

- Hold-open arm
- Non-handed



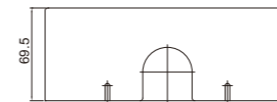
ZMO-H15B01

- Mounting Plate



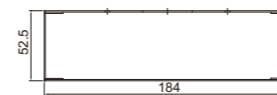
ZMO-H05000

- Drop Plate



ZCO-H0500E

- Metal Cover (Steel)
- Non-handed



Without Fortress-Hardware's prior consent, any distribution of this document is illegal and prohibited.

C100 series

Rack & Pinion Door Closer with Standard Arm



Product Features:

- Fixed power size 1/2/3/4
- Size 1/3/4 UL compliance
- Adjustable closing speed
- Surface mount
- Rack & Pinion
- Standard arm
- Built in hold-open (optional upon request) ★
- Single-action door
- Non-handed installation

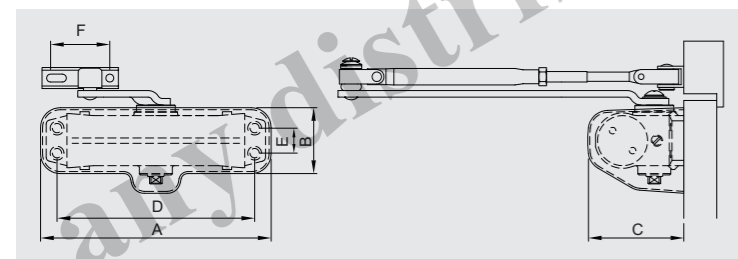
Application Ranges:

- Standard door mount on pull side
- Transom mount on push side
- Parallel bracket mount ★

Finishes:

- Painted – silver, brown, gold, black, white & other RAL colors upon request & discussion

Dimensions:



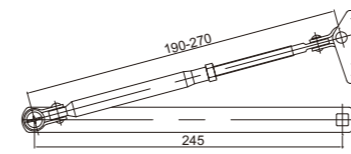
Power size	1	2	3	4
Max. Door width (mm)	760	870	950	1100
Max. Opening Angle	180	150	150	120

Only Size 2 UL Certified

	A	B	C	D	E	F
C101	148	50	70	125	19	45
C102/3	178	52	75	150	19	45
C104	235	56	82	208	19	45

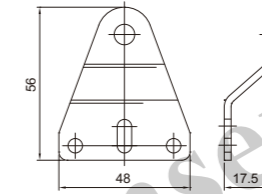
★ This option is not covered by the Certificate

Accessories



ZAR-A006

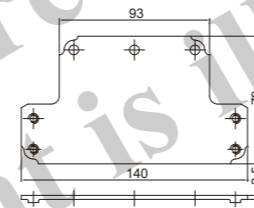
- Standard arm
- Non-handed
- UL Certified



ZPA-F03

- Parallel bracket (Soffit plate)

Options



ZDAC1010-20

- Mounting Plate



ZCO-F13

- Plastic Cover
- Non-handed

C800 series

Rack & Pinion Door Closer with Standard Arm



Product Features:

- Fixed power size 2/3/4/5
- Size 5 UL compliance
- Adjustable closing & latching speed
- Thermo-constant valve
- Surface mount
- Rack & Pinion
- Standard arm

Power size	2	3	4	5
Max. Door width (mm)	870	950	1100	1200
Max. Opening Angle	180			

Only Size 5 Non UL

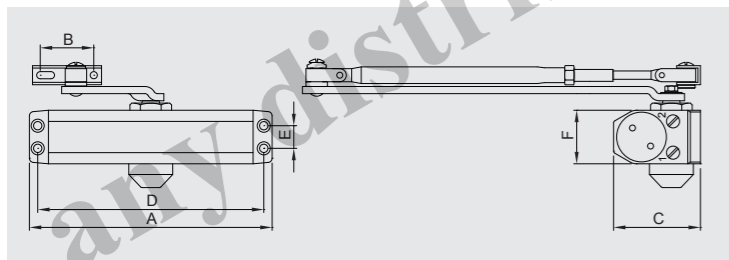
Application Ranges:

- Standard door mount on pull side
- Transom mount on push side
- Parallel bracket mount

Finishes:

- Painted – silver, brown, gold, black, white & other RAL colors upon request & discussion

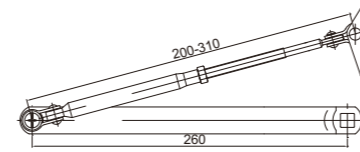
Dimensions:



	A	B	C	D	E	F
C802	204	45	73	190	19	45
C803	222	45	73	208	19	45
C804/5	250	45	76.5	230	19	48

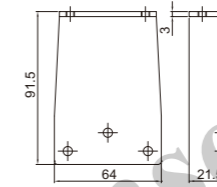
★ This option is not covered by the Certificate

Accessories



ZAR-A007

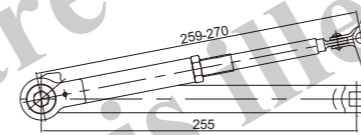
- Standard arm
- Non-handed
- UL Certified



ZPA-H01

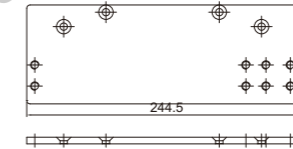
- Parallel bracket
- UL Certified

Options



ZAR-B065

- Hold-open arm
- Non-handed



ZMO-J05000

- Drop Plate

SDC

Surface mounted Door Coordinator



Certificate:

BS EN 1158 : 1997
BS EN1634-1:2014



Product Features:

- Door closers with cam action system with integrated mechanical door coordinator for double leaf doors
- Certified in compliance with EN1158, power size 3-5
- Mechanical door coordinator in continuous guide track
- All components fully integrated into continuous guide track
- In combination with carry bar installed on inactive leaf at push side to ensure the correct sequence of door closing
- In combination with cam action door closers to fulfill barrier free building requirements (DDA)
- For fire and smoke protection doors with hinge distance from 1350 to 2500 mm

Technical data	SDC
Hinge distance	1350-2500 mm
Fire and smoke protection	Yes
Height	32.5 mm
Depth	32 mm
Length	Up to hinge distance
Certified in compliance with	EN 1158
CE mark	Yes

Application Ranges:

- Standard door mounted on pull side
- Can be used for left and right handed doors

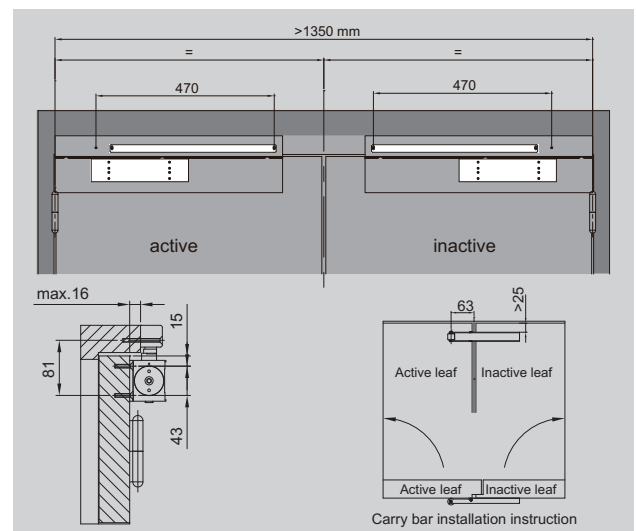
Finishes:

- Painted - Silver

Accessories:

- Carry bar (Standard accessory)

Dimensions:



7100 series

Rim Type (7100R & F7100R)



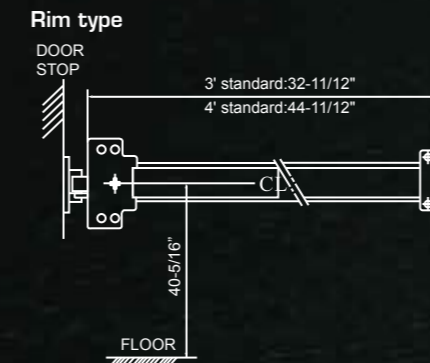
3 HOUR FIRE RATED
UL10C, UBC7-2-1997
ANSI A156.3 G1

Specifications:

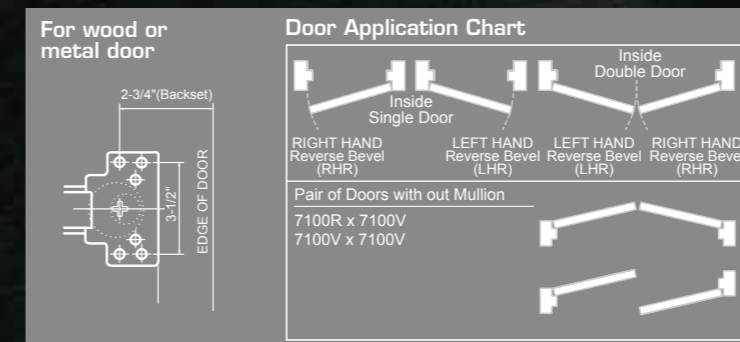
Material	Push bar – Steel pressed or stainless steel pressed Head Cover – Steel pressed or stainless steel pressed Spring – Stainless steel
Latch Bolt	5/8" throw, stainless steel
Dead Latch Bolt	9/16", steel
Strike	For 5/8" stop
Projection	2-1/2" maximum, 1-7/8" pressed
Reversible	Non-handed, reversible for all functions and trims
For Door	1-3/4" thick of wood or metal door. Specify thickness if other than 1-3/4"
Door Width	3' standard for door width of 2'-8" to 3'-0"; 4' standard for door width of 3'-8" to 4'-0"
Stile	4-1/4" minimum
Mounting Height	40-5/16" from CL to finished floor recommended
Mounting	Furnished standard with sheet metal & machine screws or SNB as option
Cylinders	For trim, knob, lever & thumb-piece type "Schlage C" key way
Dogging	1/4 turn, hex key dogging on non-fire labeled device
UL Listed	For "Panic Hardware" and "UL". Labeled (3 hours) fire exit hardware
Ansi Standard	A156.3 Grade 1
Operation	Inside by slight pressure on any point of the push bar all time
Head Cover	8-1/2"x2-3/4"x2-1/2" (216mmx68.3mmx62mm)
Standard Finishes	US32D (or other available finishes upon request & discussion)



Drawings & Dimensions:



Mounting Position:



Model	Actual Length	Minimum	Door Size
3' standard	32-11/12" (836mm)	25" (635mm)	30" to 36" door width
4' standard	44-11/12" (1141mm)	32" (813mm)	42" to 48" door width



Panic Exit Device

2

7100 series

Vertical Rod Type (7100V & F7100V)

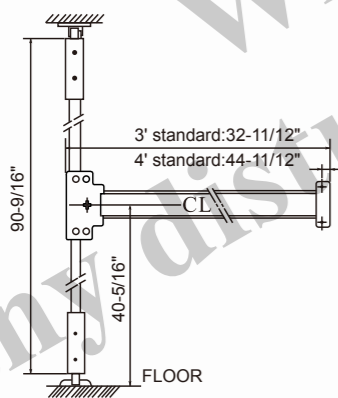


Specifications:

Material	Push bar - Steel pressed or stainless steel pressed Head Cover - Steel pressed or stainless steel pressed Spring - Stainless steel
Latch Bolt	5/8" throw, stainless steel
Dead Latch Bolt	9/16", steel
Strike	For 5/8" stop
Projection	2-1/2" maximum, 1-7/8" pressed
Reversible	Non-handed, reversible for all functions and trims
For Door	1-3/4" thick of wood or metal door. Specify thickness if other than 1-3/4"
Door Width	3' standard for door width of 2'-8" to 3'-0"; 4' standard for door width of 3'-8" to 4'-0"
Stile	4-1/4" minimum
Top and bottom rod length for 7' door	Top rod 35-1/3", bottom rod 31-1/4"
Top and bottom rod length for 8' door	Top rod 47-2/3", bottom rod 31-1/4"
Mounting Height	40-5/16" from CL to finished floor recommended
Mounting	Furnished standard with sheet metal & machine screws or SNB as option.
Cylinders	For trim, knob, lever & thumb-piece type "Schlage C" key way
Dogging	1/4 turn, hex key dogging on non-fire labeled device
UL Listed	For "Panic Hardware" and "UL". Labeled (3 hours) fire exit hardware.
Ansi Standard	A156.3 Grade 1
Operation	Inside by slight pressure on any point of the push bar all time
Head Cover	8-1/2"x2-3/4"x2-1/2" (216mmx68.3mmx62mm)
Standard Finishes	US32D (or other available finishes upon request & discussion)

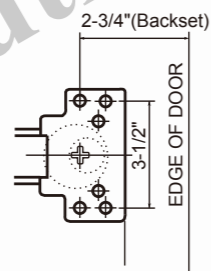
Drawings & Dimensions:

Vertical rod type

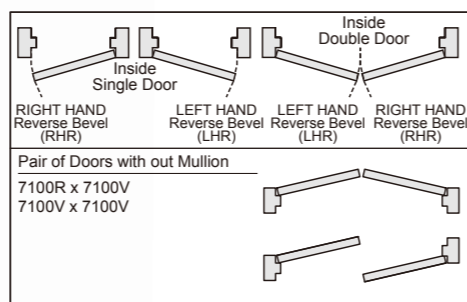


Mounting Position:

For wood or metal door



Door Application Chart



Model	Actual Length	Minimum	Door Size
3' standard	32-11/12" (836mm)	25" (635mm)	30" to 36" door width
4' standard	44-11/12" (1141mm)	32" (813mm)	42" to 48" door width

7100 series

Less Bottom Rod (7100LBR & F7100LBR)

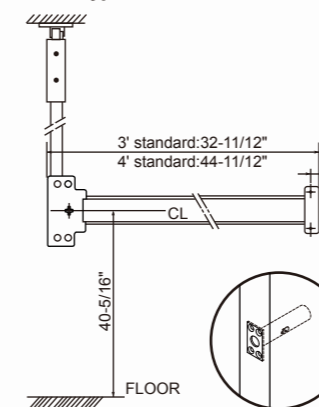


Specifications:

Material	Push bar - Steel pressed or stainless steel pressed Head Cover - Steel pressed or stainless steel pressed Spring - Stainless steel
Latch Bolt	5/8" throw, stainless steel
Dead Latch Bolt	9/16", steel
Strike	For 5/8" stop
Projection	2-1/2" maximum, 1-7/8" pressed
Reversible	Non-handed, reversible for all functions and trims
For Door	1-3/4" thick of wood or metal door. Specify thickness if other than 1-3/4"
Door Width	3' standard for door width of 2'-8" to 3'-0"; 4' standard for door width of 3'-8" to 4'-0"
Stile	4-1/4" minimum
Top rod length for 7' door	Top rod 35-1/3"
Top rod length for 8' door	Top rod 47-2/3"
Mounting Height	40-5/16" from CL to finished floor recommended
Mounting	Furnished standard with sheet metal & machine screws or SNB as option.
Cylinders	For trim, knob, lever & thumb-piece type "Schlage C" key way
Dogging	1/4 turn, hex key dogging on non-fire labeled device
UL Listed	For "Panic Hardware" and "UL". Labeled (3 hours) fire exit hardware.
Ansi Standard	A156.3 Grade 1
Operation	Inside by slight pressure on any point of the push bar all time
Head Cover	8-1/2"x2-3/4"x2-1/2" (216mmx68.3mmx62mm)
Standard Finishes	US32D (or other available finishes upon request & discussion)

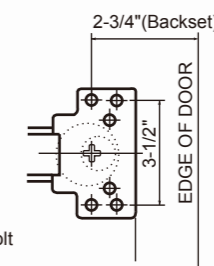
Drawings & Dimensions:

LBR type



Mounting Position:

For wood or metal door



Door Application Chart

Pair of Doors with out Mullion
7100LBR x 7100LBR

Important Notes: (please read it first)

- LBR option for fire exit devices is available using a spring loaded fire bolts installed in each side of the lower door edge. When the device exposed to heat the fire bolts releases and extends into the strike hole in the opposite door, the fire bolt will keep the pair of doors in alignment and closed properly during a fire.
- The fire rated LBR product is in listed UL 3 hours on metal doors double egress. Fire rated LBR devices must be ordered and installed in pairs of vertical rod devices or must be used in conjunction with an approved automatic or constant latching flush bolt.

Model	Actual Length	Minimum	Door Size
3' standard	32-11/12" (836mm)	25" (635mm)	30" to 36" door width
4' standard	44-11/12" (1141mm)	32" (813mm)	42" to 48" door width

Features:

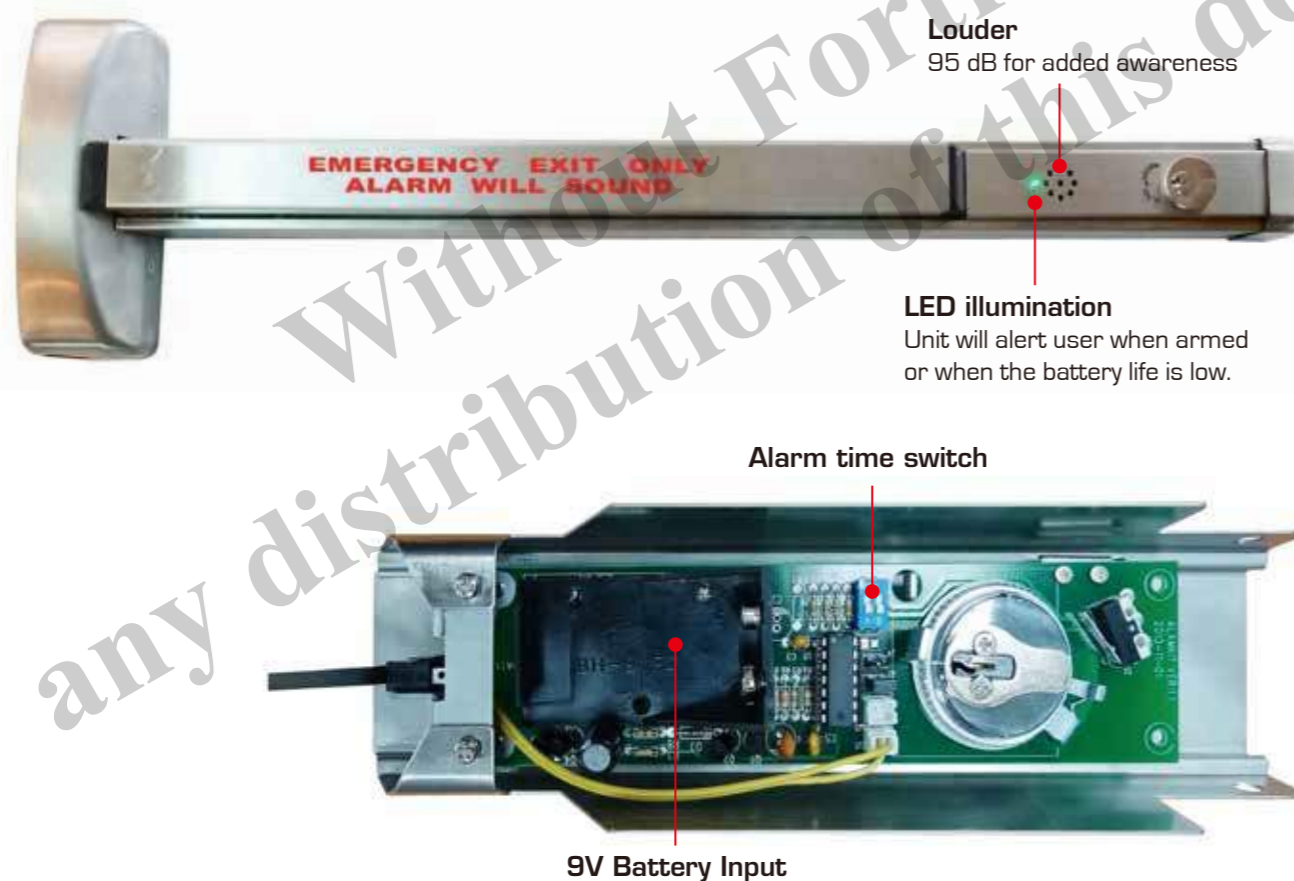
1. Alarm kit contains an internal horn and LED light, when the push bar is depressed, the LED light will blink and horn will siren to provide a visible/audible means of signaling that the opening has been violated.
2. The alarm kit can be armed or disarmed by key.
3. Alarm siren time may be adjust to 1,3,5 and infinite minutes.
4. The key switch uses a standard 1 1/4" cylinder with S keyway.
5. Device includes "EMERGENCY EXIT ONLY.ALARM WILL SOUND" decal for application on door or push bar.

Note:

1. If alarm siren time is set to infinite minutes, alarm will sound until battery runs out.
2. Siren will beep and red LED will blink at approximately 6 second intervals when battery is low.

Operating Instructions :

1. Insert the key into the cylinder and turn counterclockwise to arm the unit.
2. The siren will sound three short beeps indicating the unit is armed.
3. Depress the push bar, the alarm should sound immediately and red/green LED light will blink.
4. Turn the key clockwise to disarm.



SELECTION GUIDE

TRIM STYLE	CODE NUMBER	FUNCTION	DESCRIPTION
	2U40 2U50	Dummy Storeroom	Pull trim, night latch
	2P 40 2P 50	Dummy Storeroom	Pull trim, night latch
	72BL30 72BL40 72BL50 72BL80 72BL50/80 C 72BL50/80 IC 72BL50/80 ICC	Passage Dummy Storeroom Classroom Storeroom/classroom, Clutch Storeroom/classroom, IC ,less core (6/7 pin cores with BEST) Storeroom/classroom, IC ,less core (6/7 pin cores with BEST), Clutch	Escutcheon lever trim
	80K 30 80K 40 80K 50 80K 80 80K 50/80 IC 80K 50/80 ICC	Passage Dummy Storeroom Classroom Storeroom/classroom, IC ,less core (6/7 pin cores with BEST) Storeroom/classroom, IC ,less core (6/7 pin cores with BEST), Clutch	Knob trim
	80L30 80L40 80L50 80L80 80L50/80 C 80L50/80 IC 80L50/80 ICC	Passage Dummy Storeroom Classroom Storeroom/classroom, Clutch Storeroom/classroom, IC ,less core (6/7 pin cores with BEST) Storeroom/classroom, IC ,less core (6/7 pin cores with BEST), Clutch	Lever trim
	80TP30 80TP40 80TP50 80TP80 80TP50/80 IC 80TP50/80 ICC	Passage Dummy Storeroom Classroom Storeroom/classroom, IC ,less core (6/7 pin cores with BEST) Storeroom/classroom, IC ,less core (6/7 pin cores with BEST), Clutch	Thumbpiece trim or w/o thumbpiece

STRIKE SELECTION

Double Door Strike	Rim Strike	Top Strike (Vertical)	Bottom Strike (Vertical)	Top Strike (LBR)

ACCESSORIES

Sex Nut & Bolt (Steel door)	Lock Front Filler (Vertical & LBR)	Strike Filler (Vertical & LBR)	Fire bolt (F7100LBR only)	Head Cover (Small)	Head Cover (Large)

FINISHES : US32D (or other available finishes upon request & discussion)

5000 series

Rim Type (5000R & F5000R)

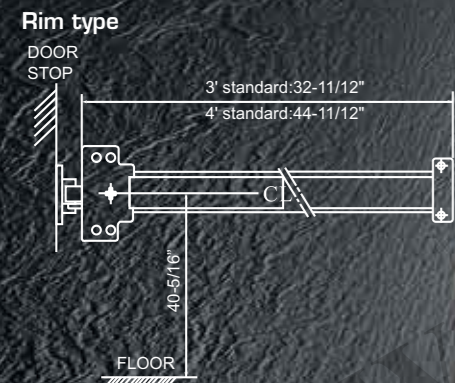


1.5 HOUR FIRE RATED

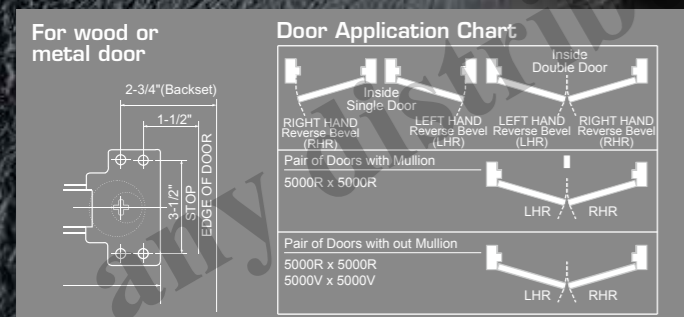
Specifications:

Material	Push bar - Steel pressed or stainless steel pressed Head Cover - Steel pressed or stainless steel pressed Spring - Stainless steel
Latch Bolt	3/4" throw, stainless steel
Dead Latch Bolt	5/8", steel
Strike	For 5/8" stop. Plus shim for 1/2" stop
Projection	2-1/2" maximum, 1-7/8" pressed
Reversible	Non-handed, reversible for all functions and trims
For Door	1-3/4" thick of wood or metal door. Specify thickness if other than 1-3/4"
Backset	2-3/4" standard
Door Width	3' standard for door width of 2'-6" to 3'-0"; 4' standard for door width of 3'-0" to 4'-0"
Stile	4-1/4" minimum
Mounting Height	40-5/16" from CL to finished floor recommended
Mounting	Furnished standard with sheet metal & machine screws or SNB as option
Cylinders	For trim, knob, lever & thumb-piece type "Schlage C" key way
Dogging	1/4 turn, hex key dogging on non-fire labeled device
UL Listed	For "Panic Hardware" and "UL". Labeled (1.5 hours) fire exit hardware
Operation	Inside by slight pressure on any point of the push bar all time

Drawings & Dimensions:



Mounting Position:



Model	Actual Length	Minimum	Door Size
3' standard	32-9/10" (836mm)	25" (635mm)	32" to 36" door width
4' standard	44-9/10" (1141mm)	32" (813mm)	36" to 48" door width

5000 series

Vertical Rod Type (5000V & F5000V)



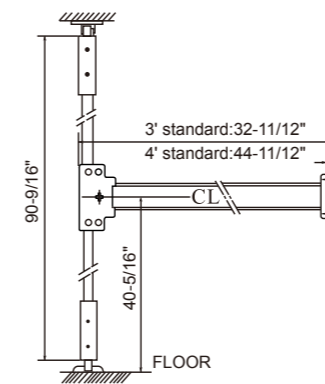
1.5 HOUR FIRE RATED

Specifications:

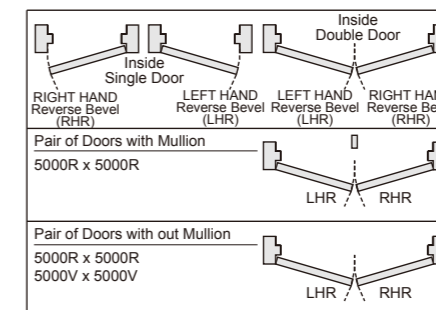
Material	Push bar - Steel pressed or stainless steel pressed Head Cover - Steel pressed or stainless steel pressed Spring - Stainless steel
Latch Bolt	3/4" throw, stainless steel
Dead Latch Bolt	5/8", steel
Strike	For 5/8" stop. Plus shim for 1/2" stop
Projection	2-1/2" maximum, 1-7/8" pressed
Reversible	Non-handed, reversible for all functions and trims
For Door	1-3/4" thick of wood or metal door. Specify thickness if other than 1-3/4"
Backset	2-3/4" standard
Door Width	3' standard for door width of 2'-6" to 3'-0"; 4' standard for door width of 3'-0" to 4'-0"
Stile	4-1/4" minimum
Top and bottom rod length for 7' door	Top rod 35-1/4", bottom rod 31-1/4", other length upon request and discussion
Mounting Height	40-5/16" from CL to finished floor recommended
Mounting	Furnished standard with sheet metal & machine screws or SNB as option.
Cylinders	For trim, knob, lever & thumb-piece type "Schlage C" key way
Dogging	1/4 turn, hex key dogging on non-fire labeled device
UL Listed	For "Panic Hardware" and "UL". Labeled (1.5 hours) fire exit hardware
Operation	Inside by slight pressure on any point of the push bar all time

Drawings & Dimensions:

Vertical rod type

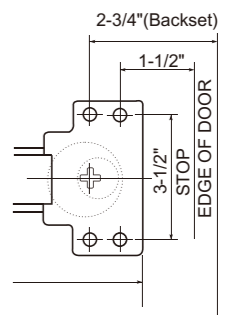


Door Application Chart



Mounting Position:

For wood or metal door



Model	Actual Length	Minimum	Door Size
3' standard	32-9/10" (836mm)	25" (635mm)	32" to 36" door width
4' standard	44-9/10" (1141mm)	32" (813mm)	36" to 48" door width

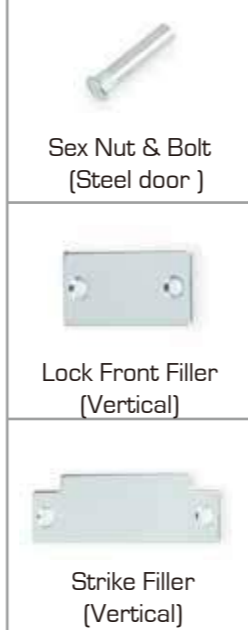
5000 series

SELECTION GUIDE			
TRIM STYLE	CODE NUMBER	FUNCTION	DESCRIPTION
	52BL30	Passage	Escutcheon lever trim
	52BL40	Dummy	
	52BL80	Classroom	
	62BL30	Passage	Escutcheon lever trim
	62BL40	Dummy	
	62BL50	Storeroom	
	62BL80	Classroom	
	2U40	Dummy	Pull trim, Night latch
	2U50	Storeroom	
	2P40	Dummy	Pull trim, Night latch
	2P50	Storeroom	
	OZ50	Storeroom	
	80K 30 80K 50 80K 80	Passage Storeroom Classroom	Knob trim
	80K 50/80 ICC	Storeroom/classroom, IC, less core (6/7 pin cores with BEST), Clutch	
	80L30 80L50 80L80 80L50/80 C	Passage Storeroom Classroom Storeroom/classroom, Clutch	Lever trim
	80L50/80 ICC	Storeroom/classroom, IC, less core (6/7 pin cores with BEST), Clutch	
	80TP30 80TP40 80TP50 80TP80	Passage Dummy Storeroom Classroom	Thumbpiece trim or w/o thumbpiece

Strike Selection



Accessories



FINISHES : US26, US26D, US32D (or other finishes upon request & discussion)



1.5 HOUR FIRE RATED

8000 series

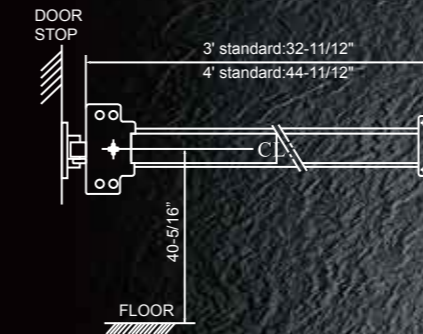
Rim Type (8000R & F8000R)

Specifications:

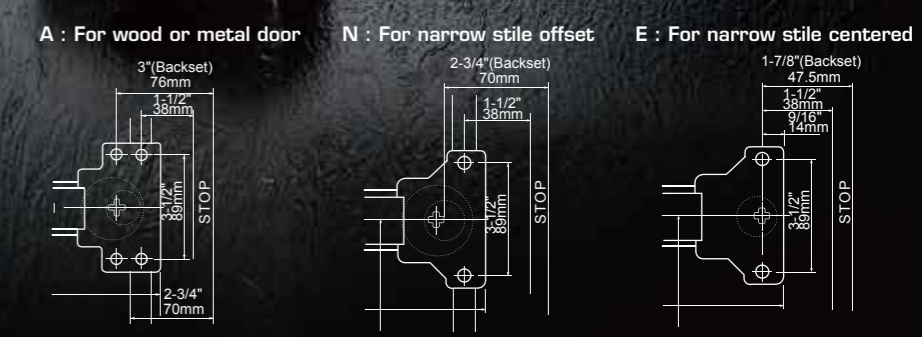
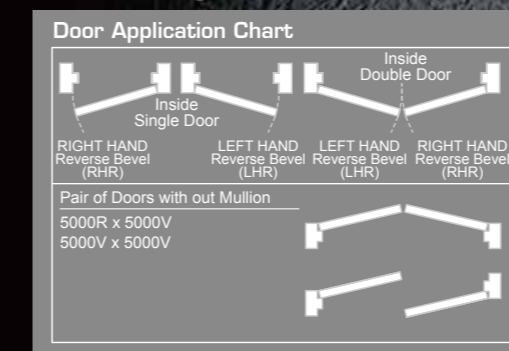
Material	Push bar - Steel pressed or stainless steel pressed Head Cover - Steel pressed or stainless steel pressed Spring - Stainless steel
Latch Bolt	3/4" throw, stainless steel
Dead Latch Bolt	5/8", steel
Strike	For 5/8" stop. Plus shim for 1/2" stop
Projection	2-1/2" maximum, 1-7/8" pressed
Reversible	Non-handed, reversible for all functions and trims
For Door	1-3/4" thick of wood or metal door. Specify thickness if other than 1-3/4"
Backset	2-3/4" standard
Door Width	3' standard for door width of 2'-6" to 3'-0"; 4' standard for door width of 3'-0" to 4'-0"
Stile	4-1/4" minimum. 2-1/4" for narrow stile
Mounting Height	40-5/16" from CL to finished floor recommended
Mounting	Furnished standard with sheet metal & machine screws or SNB as option
Cylinders	For trim, knob, lever & thumb-piece type "Schlage C" key way
Dogging	1/4 turn, hex key dogging on non-fire labeled device
UL Listed	For "Panic Hardware" and "UL". Labeled (1.5 hours) fire exit hardware
Operation	Inside by slight pressure on any point of the push bar all time

Drawings & Dimensions:

Rim type



Mounting Position:



Model	Actual Length	Minimum	Door Size
3' standard	32-9/10" (836mm)	25" (635mm)	32" to 36" door width
4' standard	44-9/10" (1141mm)	36-6/7" (936mm)	36" to 48" door width

8000 series

Vertical Rod Type (8000V & F8000V)



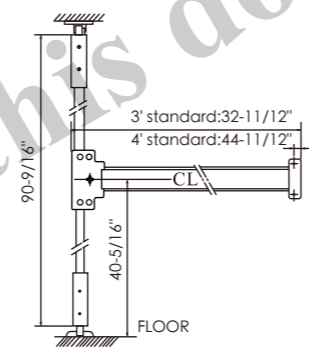
1.5 HOUR FIRE RATED

Specifications:

Material	Push bar - Steel pressed or stainless steel pressed Head Cover - Steel pressed or stainless steel pressed Spring - Stainless steel
Latch Bolt	3/4" throw, stainless steel
Dead Latch Bolt	5/8", steel
Strike	For 5/8" stop. Plus shim for 1/2" stop
Projection	2-1/2" maximum, 1-7/8" pressed
Reversible	Non-handed, reversible for all functions and trims
For Door	1-3/4" thick of wood or metal door. Specify thickness if other than 1-3/4"
Backset	2-3/4" standard
Door Width	3' standard for door width of 2'-6" to 3'-0"; 4' standard for door width of 3'-0" to 4'-0"
Stile	4-1/4" minimum
Top and bottom rod length for 7' door	Top rod 45-1/4", bottom rod 34", other length upon request and discussion
Mounting Height	40-5/16" from CL to finished floor recommended
Mounting	Furnished standard with sheet metal & machine screws or SNB as option.
Cylinders	For trim, knob, lever & thumb-piece type "Schlage C" key way
Dogging	1/4 turn, hex key dogging on non-fire labeled device
UL Listed	For "Panic Hardware" and "UL". Labeled (1.5 hours) fire exit hardware
Operation	Inside by slight pressure on any point of the push bar all time

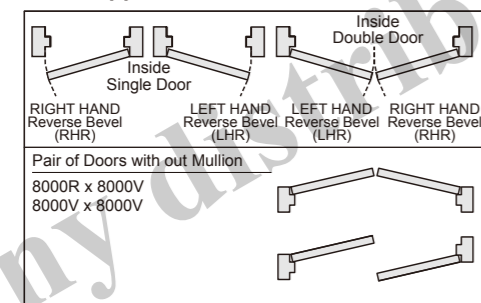
Drawings & Dimensions:

Vertical rod type

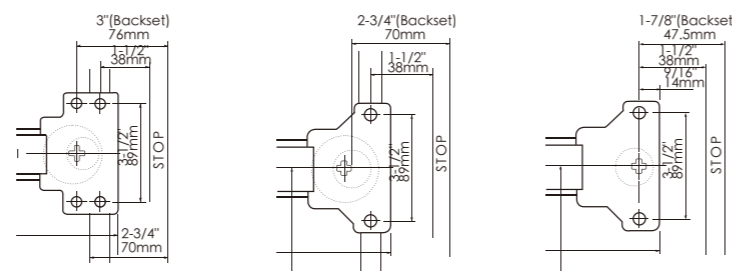


Mounting Position:

Door Application Chart



A: For wood or metal door N: For narrow stile offset E: For narrow stile centered



Model	Actual Length	Minimum	Door Size
3' standard	32-9/10" (836mm)	25" (635mm)	30" to 36" door width
4' standard	44-9/10" (1141mm)	36" (936mm)	36" to 48" door width

8000 series

SELECTION GUIDE

TRIM STYLE	CODE NUMBER	FUNCTION	DESCRIPTION
	52BL30 52BL40 52BL80	Passage Dummy Classroom	Escutcheon lever trim
	62BL30 62BL40 62BL50 62BL80	Passage Dummy Storeroom Classroom	Escutcheon lever trim
	2U40 2U50	Dummy Storeroom	Pull trim, Night latch
	2P40 2P50	Dummy Storeroom	Pull trim, Night latch
	OZ50	Storeroom	
	80K 30 80K 50 80K 80 80K 50/80 ICC	Passage Storeroom Classroom Storeroom/classroom, IC, less core (6/7 pin cores with BEST), Clutch	Knob trim
	80L30 80L50 80L80 80L50/80 C 80L50/80 ICC	Passage Storeroom Classroom Storeroom/classroom, Clutch Storeroom/classroom, IC, less core (6/7 pin cores with BEST), Clutch	Lever trim
	80TP30 80TP40 80TP50 80TP80	Passage Dummy Storeroom Classroom	Thumbpiece trim or w/o thumbpiece

Strike Selection

Accessories

FINISHES : US26, US26D, US32D
(or other finishes upon request & discussion)



Floor Spring
3



F

loor spring/Transom closer

PRODUCT OVERVIEW						
ITEM	CERTIFICATE	FORCE SIZE		FUNCTION		
				LATCH	BC	HOLD OPEN
B710	X	☆	2	●		○
B720	X	☆	2/3/4	●		○
B740	X	☆	2/3	●		○
B750	X	▲	3~6	●		○
B760	X	▲	1~4	●		○
B800	CE★	☆	2/3/4	●		○
B840	X	☆	2/3/4	●		○
R500	UL◇	▲	2~4	●	○	○
R520	EN	☆	2/3/4	●		○
R580	EN	▲	2~4	●		○

● : Standard ▲ : Adjustable ★ : size 2 non CE
 ○ : Option ☆ : Fixed ◇ : size 3 ANSI G1

B300

Hydraulic Patch Fitting

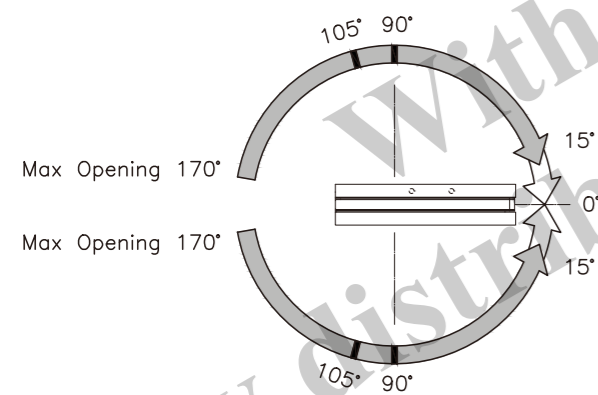


Product Features:

- Fixed power size 3
- EN1154 compliance
- Adjustable closing & latching speed
- Maximum door control opening angle at 170°
- Mechanical hold-open at 90° or 105° (non-UL certified option upon request & discussion)

Power size	3
Max. Door width (mm)	1000
Max. Door Weight (kg)	100
Available glass thickness (mm)	8~13

★ According to UL 228 testing regulation, the door weight over 57kg may not fully comply with UL 228 standard.



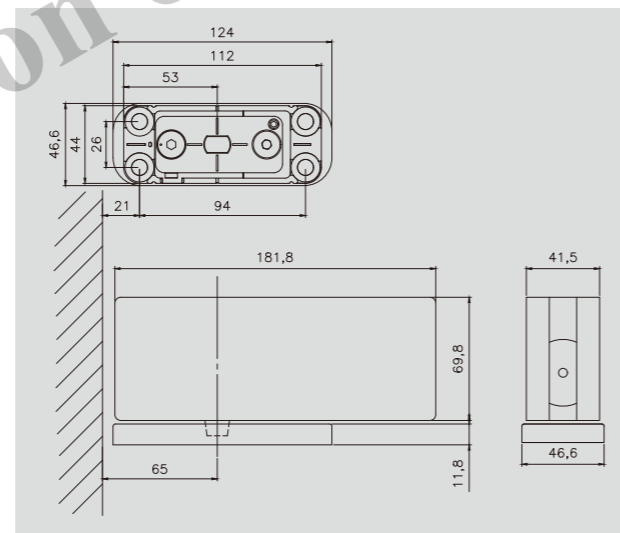
Application Ranges:

- Suitable for double action door
- Available for light & medium duty door

Finishes:

- US32D (satin stainless steel) or other finishes upon request & discussion

Dimensions:



B710



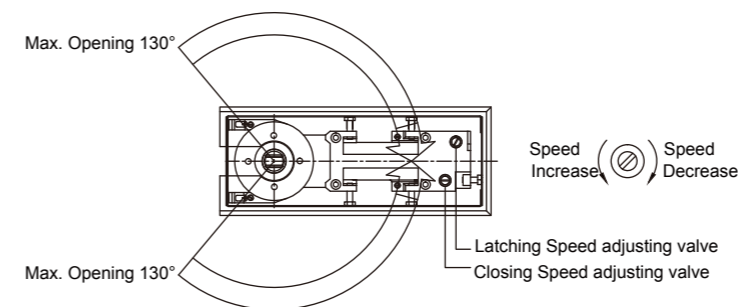
Product Features:

- Fixed power size 2 EN compliance
- Adjustable closing & latching speed
- Maximum door opening angle at 130°
- Mechanical hold-open at 90° (optional upon request)

- **Power size** 2
- Max. Door width (mm) 900
- Max. Door weight (kg) 80

Accessories:

- Standard arm
- Pivot
- Offset arm



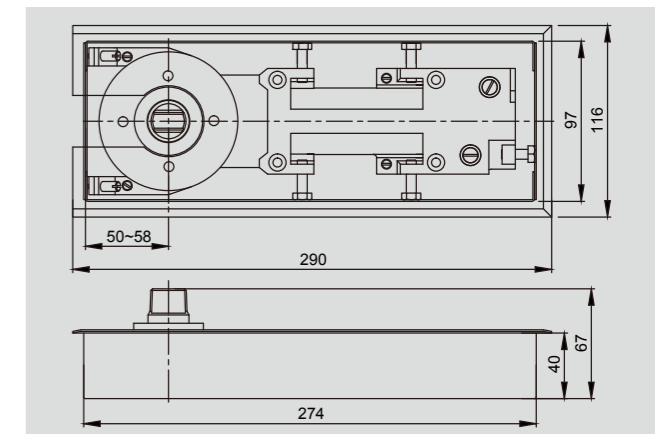
Application Ranges:

- Suitable for single & double action door
- Available for light duty only
- Closer mechanism adjustable in loose box for
 - Length (mm): 8
 - Width (mm): 8
 - Height (mm): 6

Finishes:

- Painted – silver black & other colors upon request & discussion

Dimensions:



B720



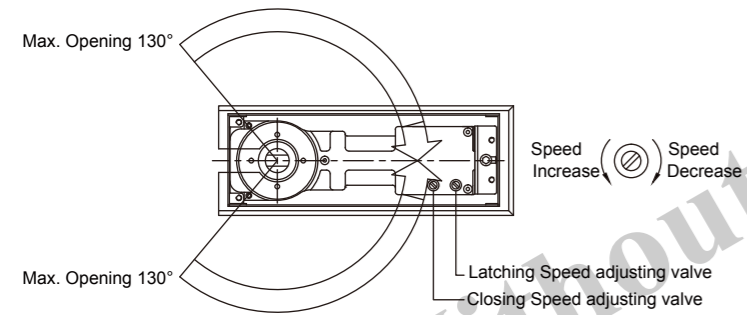
Product Features:

- Fixed power size 2/3/4 EN compliance
- Adjustable closing & latching speed
- Maximum door opening angle at 130 °
- Mechanical hold-open at 90 ° (optional upon request)

Power size	2	3	4
Max. Door width (mm)	900	1000	1100
Max. Door weight (kg)	150		

Accessories:

- Standard arm
- Pivot
- Alternative spindle options
- Offset arm



Application Ranges:

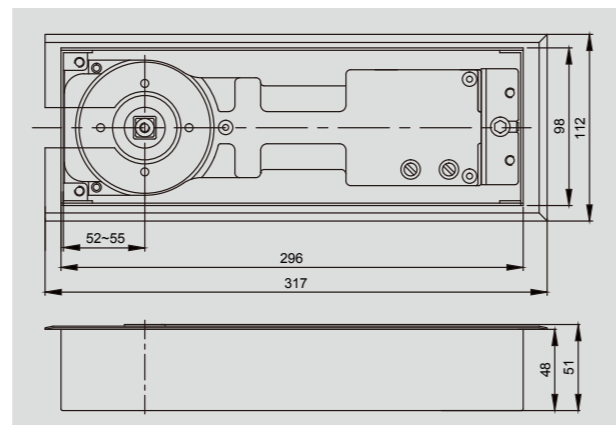
- Suitable for single & double action door
- Available for light, medium & heavy duty
- Closer mechanism adjustable in loose box for

Length (mm) : 6
 Width (mm) : 6
 Height (mm) : 4

Finishes:

- Painted – silver black & other colors upon request & discussion

Dimensions:



B740



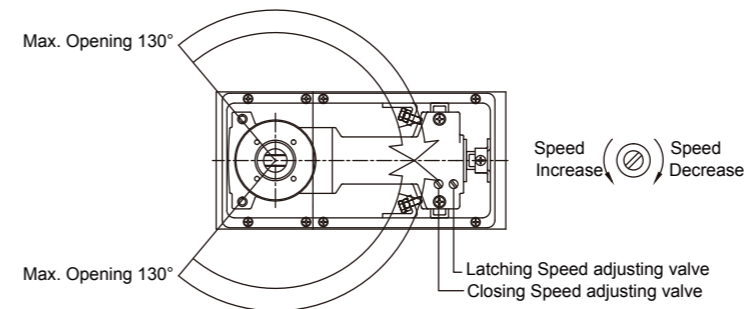
Product Features:

- Fixed power size 2/3 EN compliance
- Adjustable closing & latching speed
- Maximum door opening angle at 130 °
- Mechanical hold-open at 90 ° (optional upon request)

Power size	2	3
Max. Door width (mm)	900	1000
Max. Door weight (kg)	100	

Accessories:

- Standard arm
- Pivot
- Offset arm



Application Ranges:

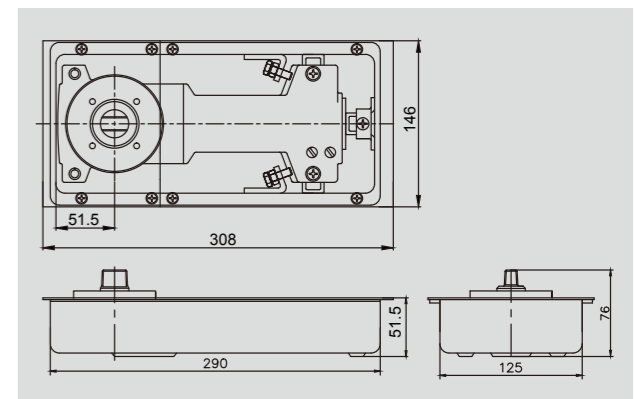
- Suitable for single & double action door
- Available for light & medium duty
- Closer mechanism adjustable in loose box for

Length (mm) : 6
 Width (mm) : 6
 Height (mm) : NA

Finishes:

- Painted – blue & other colors upon request & discussion

Dimensions:



B800



Certificate:
BS EN1154:1997

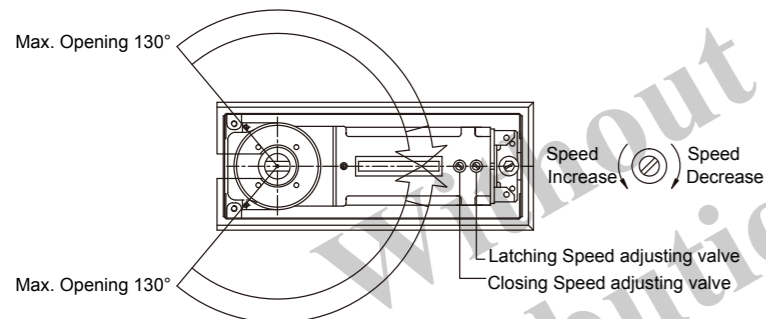


Product Features:

- Fixed power size 2/3/4, size 2 EN compliance
- Adjustable closing & latching speed
- Maximum door opening angle at 130 °
- Mechanical hold-open at 90 ° or 105 ° (optional upon request)

Power size	2 ★	3	4
Max. Door width (mm)	900	1000	1100
Max. Door weight (kg)	100		

★: Size 2 non CE



Application Ranges:

- Suitable for single & double action door
 - Available for light, medium & heavy duty door
- Length (mm) : 7
Width (mm) : 10
Height (mm) : 4

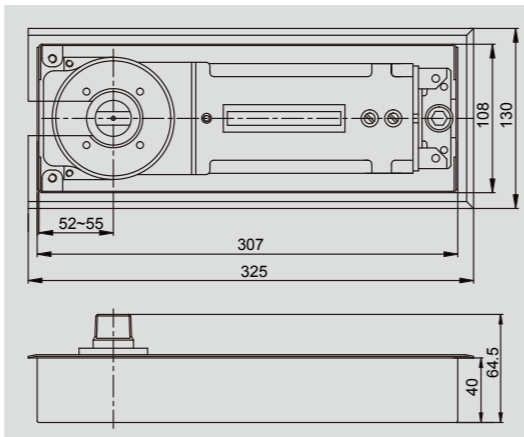
Finishes:

- Painted – silver black & other colors upon request & discussion

Accessories:

- Standard arm
- Pivot
- Alternative spindle options
- Offset arm

Dimensions:



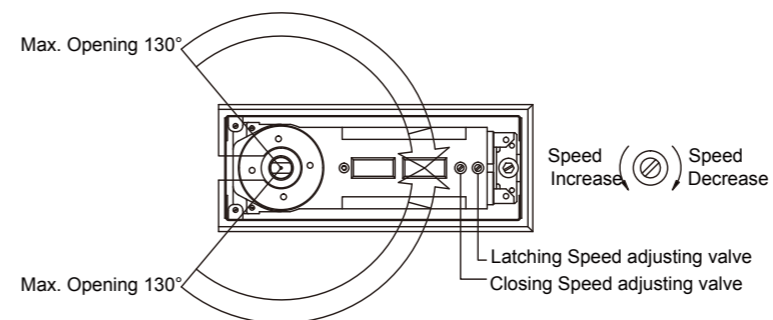
B840



Product Features:

- Fixed power size 2/3/4 EN compliance
- Adjustable closing & latching speed
- Maximum door opening angle at 130 °
- Mechanical hold-open at 90 ° (optional upon request)

Power size	2	3	4
Max. Door width (mm)	900	1000	1100
Max. Door weight (kg)	100		



Application Ranges:

- Suitable for single & double action door
 - Available for light, medium & heavy duty door
- Length (mm) : 9
Width (mm) : 10
Height (mm) : 4

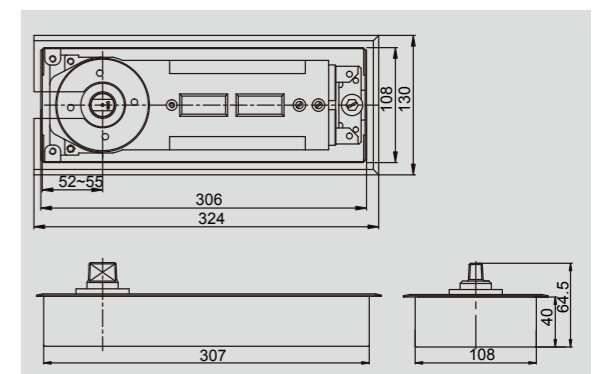
Finishes:

- Painted – black & other colors upon request & discussion

Accessories:

- Standard arm
- Pivot
- Offset arm

Dimensions:



B760-SR



Certificate:
BS EN 1154: 1997
BS EN 1634-1: 2008



Product Features:

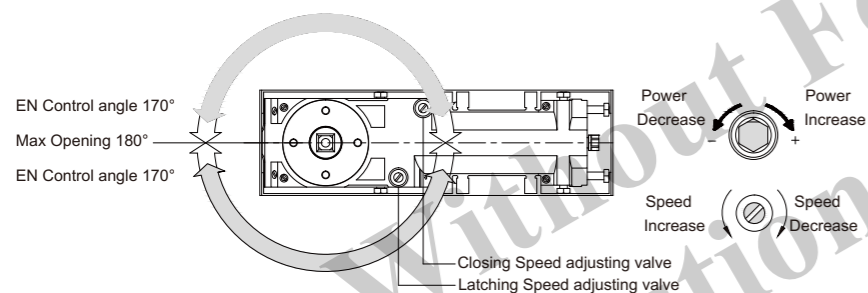
- Adjustable power size 1-4 EN certified
- Adjustable closing & latching speed
- Maximum door opening angle 180° (EN control 170°) for single & double action applications
- Mechanical hold-open at 90° (optional upon request)

Power size (EN)	1	2	3	4
Max. Door width (mm)	750	850	950	1100
Max. Door weight (kg)	150			

★ According to EN1154 testing regulation, the door weight over 80kg may not fully comply with EN1154 standard.
★ Suggest to reduce Max door weight 20% for considering offset arm application.

Accessories:

- Standard arm
- Pivot
- Alternative spindle options
- Offset arm



Application Ranges:

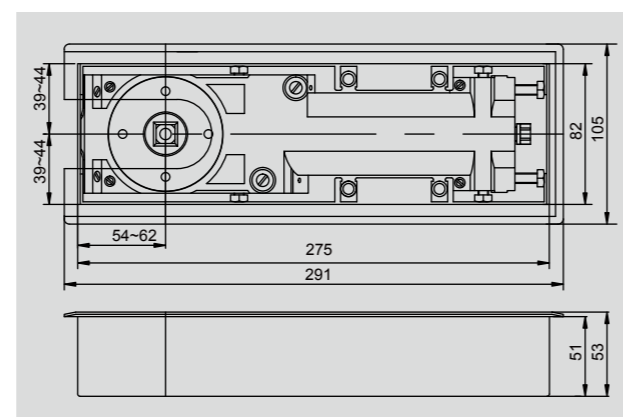
- Available for single & double action door
- Available for light, medium & heavy duty door
- Closer mechanism adjustable in loose box for

Length (mm) : 8
Width (mm) : 4
Height (mm) : NA

Finishes:

- Painted – blue & other colors upon request & discussion

Dimensions:



B760-DR

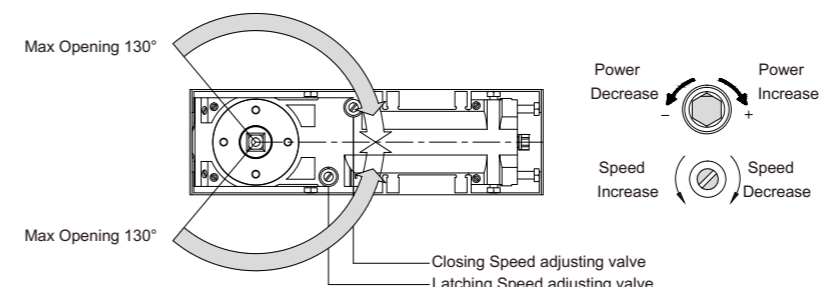


Product Features:

- Adjustable power size 1-4 EN compliance
- Adjustable closing & latching speed
- Maximum door opening angle 130° for double & single action applications
- Smoothly stop at zero position
- Mechanical hold-open at 90° (optional upon request)

Power size	1	2	3	4
Max. Door width (mm)	750	850	950	1100
Max. Door weight (kg)	150			

★ According to EN1154 testing regulation, the door weight over 80kg may not fully comply with EN1154 standard.
★ Suggest to reduce Max door weight 20% for considering offset arm application.



Accessories:

- Standard arm
- Pivot
- Alternative spindle options
- Offset arm

Application Ranges:

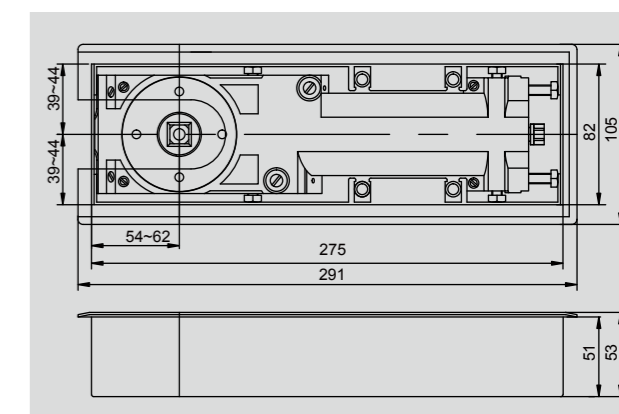
- Available for single & double action door
- Available for light, medium & heavy duty door
- Closer mechanism adjustable in loose box for

Length (mm) : 8
Width (mm) : 4
Height (mm) : NA

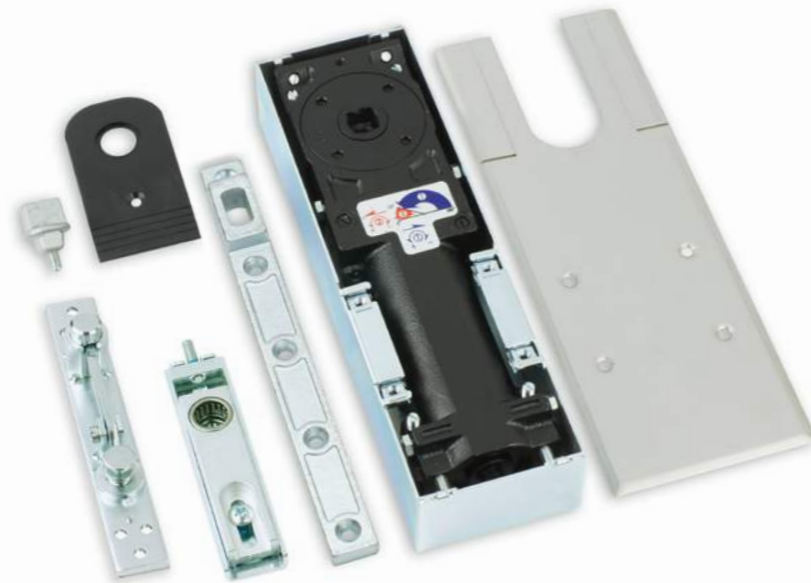
Finishes:

- Painted – blue & other colors upon request & discussion

Dimensions:



B760-SE

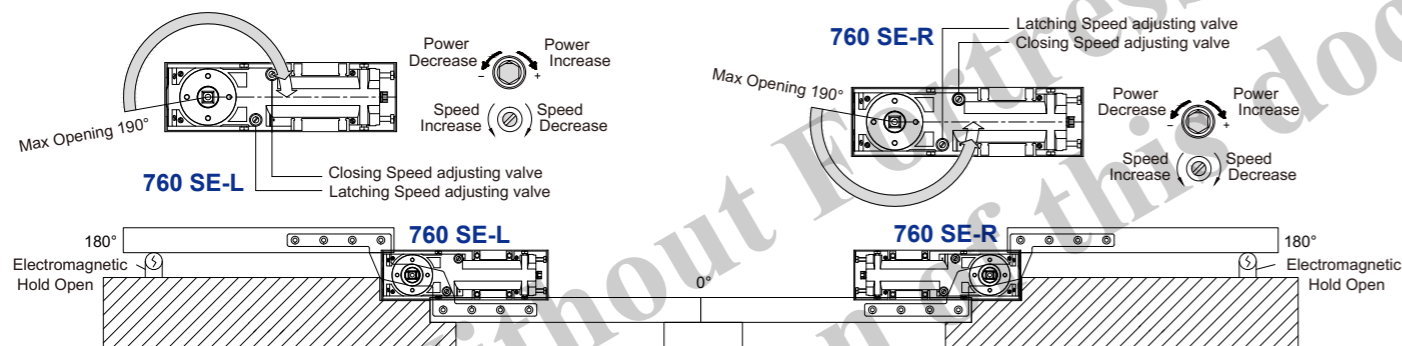


Product Features:

- Adjustable power size 1-4 EN compliance
- Adjustable closing & latching speed
- Maximum door opening angle 190° particularly for electromagnetic hold open application
- Mechanical hold-open at 90° (optional upon request)

Power size	1	2	3	4
Max. Door width (mm)	750	850	950	1100
Max. Door weight (kg)	150			

★ According to EN1154 testing regulation, the door weight over 80kg may not fully comply with EN1154 standard.
 ★ Suggest to reduce Max door weight 20% for considering offset arm application.



Application Ranges:

- Suitable for single action door
- Right handed & left handed separately
- Available for light, medium & heavy duty door
- Closer mechanism adjustable in loose box for
 Length (mm) : 8
 Width (mm) : 4
 Height (mm) : NA

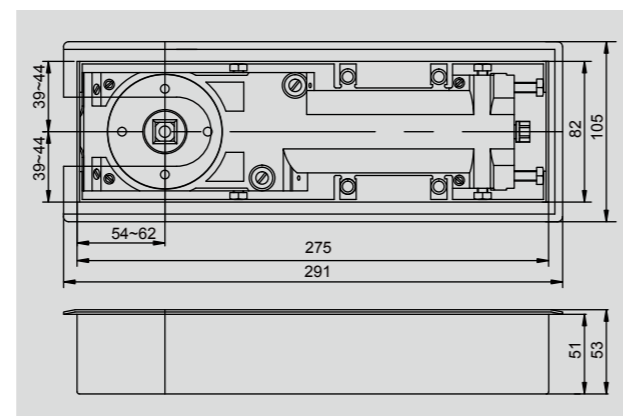
Finishes:

- Painted – blue & other colors upon request & discussion

Accessories:

- Standard arm
- Pivot
- Alternative spindle options
- Offset arm

Dimensions:



B750-DR

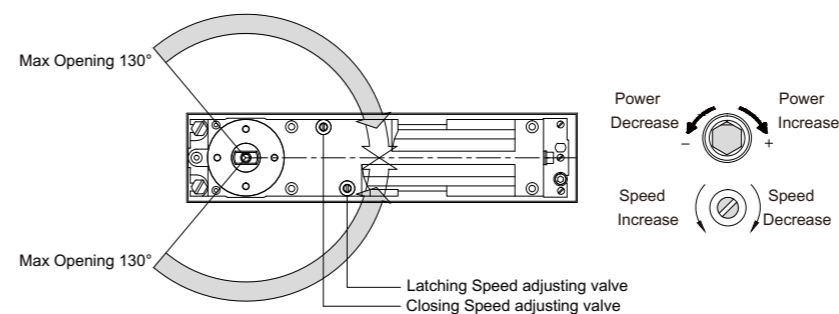


Product Features:

- Adjustable power size 3-6 EN compliance
- Adjustable closing & latching speed
- Maximum door opening angle 130° for double & single action applications
- Smoothly stop at zero position
- Mechanical hold-open at 90° (optional upon request)

Power size	3	4	5	6
Max. Door width (mm)	950	1100	1250	1400
Max. Door weight (kg)	300			

★ According to EN1154 testing regulation, the door weight over 120kg may not fully comply with EN1154 standard.
 ★ Suggest to reduce Max door weight 20% for considering offset arm application.



Application Ranges:

- Available for single & double action door
- Available for light, medium & heavy duty door
- Closer mechanism adjustable in loose box for
 Length (mm) : 4
 Width (mm) : 2
 Height (mm) : NA

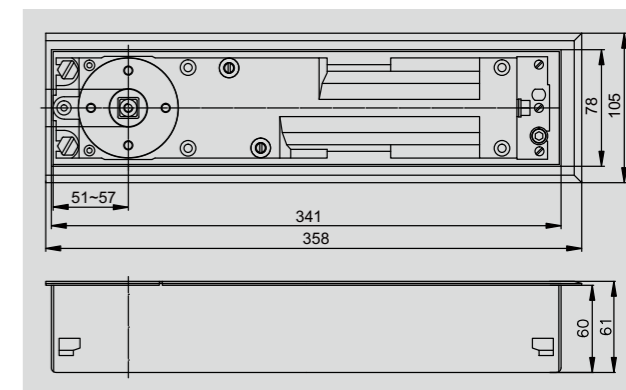
Finishes:

- Painted – silver black & other colors upon request & discussion

Accessories:

- Standard arm
- Pivot
- Alternative spindle options
- Offset arm

Dimensions:



B750-SE

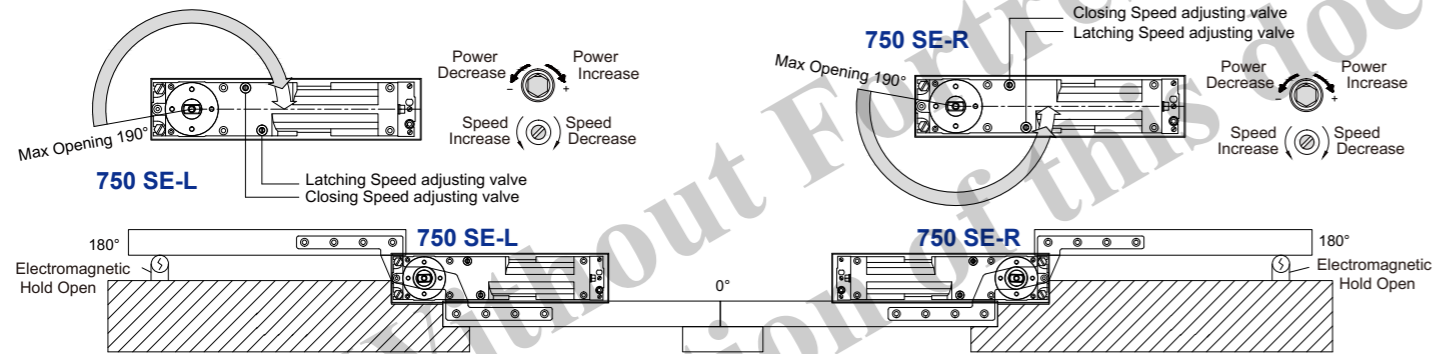


Product Features:

- Adjustable power size 3-6 EN compliance
- Adjustable closing & latching speed
- Maximum door opening angle 190 ° particularly for electromagnetic hold open application
- Mechanical hold-open at 90 ° (optional upon request)

Power size	3	4	5	6
Max. Door width (mm)	950	1100	1250	1400
Max. Door weight (kg)	300			

★ According to EN1154 testing regulation, the door weight over 120kg may not fully comply with EN1154 standard.
 ★ Suggest to reduce Max door weight 20% for considering offset arm application.



Application Ranges:

- Suitable for single action door
 - Right handed & left handed separately
 - Available for light , medium & heavy duty door
 - Closer mechanism adjustable in loose box for
- Length (mm) : 4
 Width (mm) : 2
 Height (mm) : NA

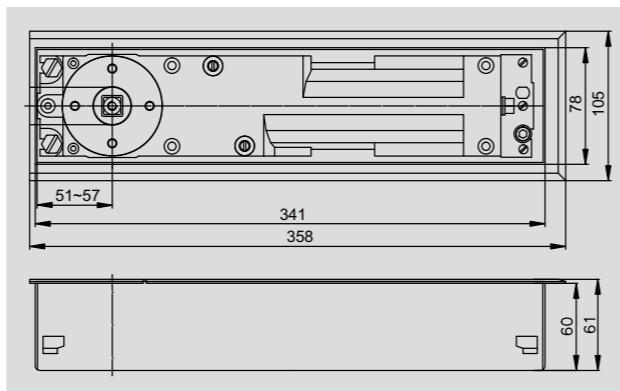
Finishes:

- Painted – silver black & other colors upon request & discussion

Accessories:

- Standard arm
- Pivot
- Alternative spindle options
- Offset arm

Dimensions:



B750-SR

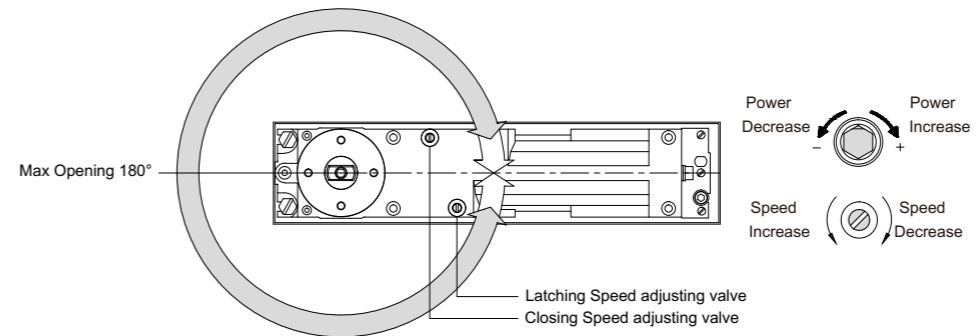


Product Features:

- Adjustable power size 3-6 EN compliance
- Adjustable closing & latching speed
- Maximum door opening angle 180° for single & double action applications
- Mechanical hold-open at 90 ° (optional upon request)

Power size	3	4	5	6
Max. Door width (mm)	950	1100	1250	1400
Max. Door weight (kg)	300			

★ According to EN1154 testing regulation, the door weight over 120kg may not fully comply with EN1154 standard.
 ★ Suggest to reduce Max door weight 20% for considering offset arm application.



Application Ranges:

- Available for single & double action door
 - Available for light , medium & heavy duty door
 - Closer mechanism adjustable in loose box for
- Length (mm) : 4
 Width (mm) : 2
 Height (mm) : NA

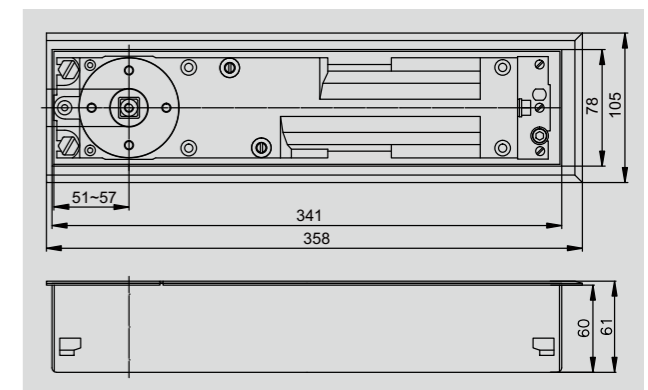
Finishes:

- Painted – silver black & other colors upon request & discussion

Accessories:

- Standard arm
- Pivot
- Alternative spindle options
- Offset arm

Dimensions:



R500

Transom closer



ANSI A156.4 G1



Power adjustable

UL : 2-4
ANSI G1 : 3

Power fixed

EN compliance 2/3/4

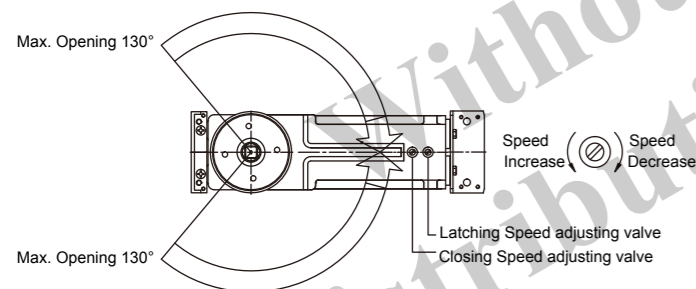
Product Features:

- Adjustable closing & latching speed
- Maximum door opening angle at 130 °
- Mechanical hold-open at 90 ° or 105 ° (optional upon request)
- Concealed transom mount

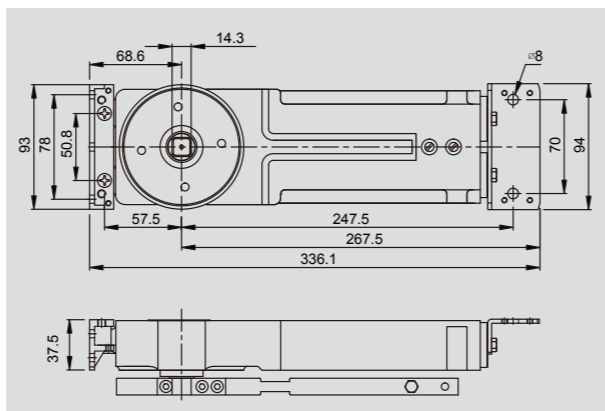
Accessories:

- Standard arm
- Side load arm
- End load arm
- Front bracket
- Back bracket
- Pivot
- Heavy duty pivot (Max Door Weight:150 kg)

Power size	2	3	4
Max. Door width (mm)	900	1000	1100
Max. Door weight (kg)	100		



Dimensions:



Application Ranges:

- Suitable for single & double action door
- Available for light, medium & heavy duty door

Finishes:

- Painted – silver black & other colors upon request & discussion

R520

Transom closer



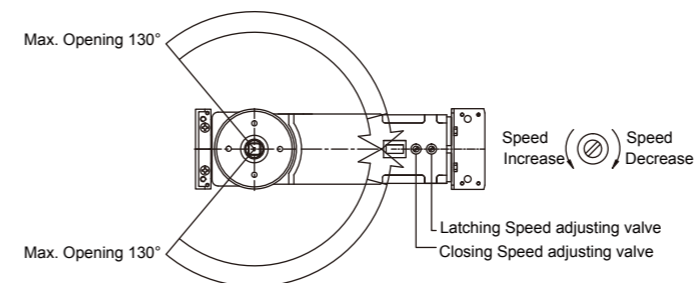
Certificate:

BS EN 1154 : 1997

Product Features:

- Fixed power size 2/3/4
- Adjustable closing & latching speed
- Maximum door opening angle at 130 °
- Mechanical hold-open at 90 ° or 105 ° (optional upon request)
- Concealed transom mount

Power size	2	3	4
Max. Door width (mm)	900	1000	1100
Max. Door weight (kg)	100		



Application Ranges:

- Suitable for single & double action door
- Available for light, medium & heavy duty door

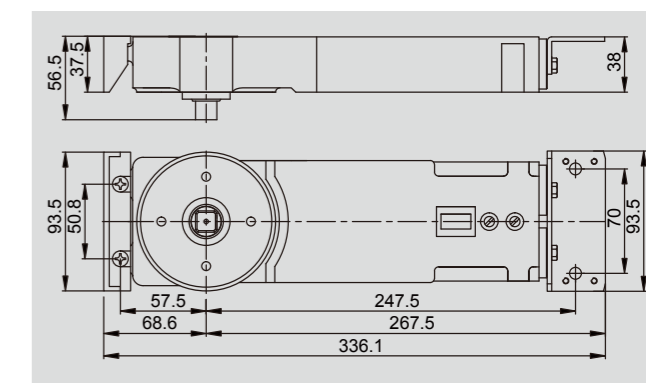
Finishes:

- Painted – silver black & other colors upon request & discussion

Accessories:

- Standard arm
- Side load arm
- End load arm
- Front bracket
- Back bracket
- Pivot
- Heavy duty pivot (Max door weight: 150 kg)

Dimensions:



R580

Transom closer



Certificate:
BS EN 1154 : 1997

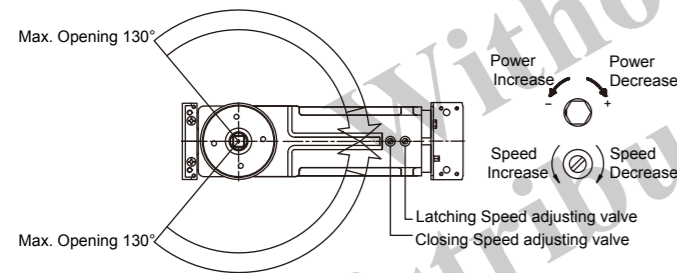
Product Features:

- Adjustable power size 2-4
- Adjustable closing & latching speed
- Maximum door opening angle at 130 °
- Mechanical hold-open at 90 ° or 105 ° (optional upon request)
- Concealed transom mount

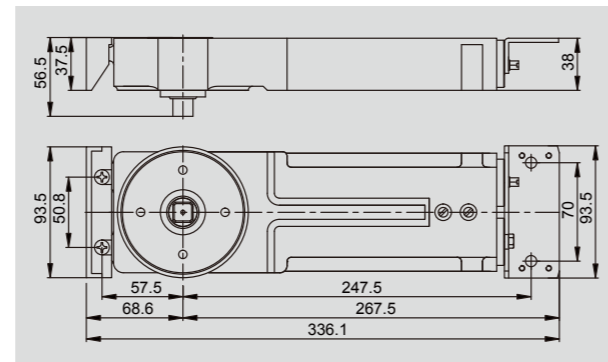
Accessories:

- Standard arm
- Side load arm
- End load arm
- Front bracket
- Back bracket
- Pivot
- Heavy duty pivot (Max door weight: 150 kg)

Power size	2	3	4
Max. Door width (mm)	900	1000	1100
Max. Door weight (kg)	100		



Dimensions:



Application Ranges:

- Suitable for single & double action door
- Available for light, medium & heavy duty door

Finishes:

- Painted – black & other colors upon request & discussion

Door closer accessory

Accessory	Name/Spec	Comply with	Item No.
Arm	Standard arm	B710/B720/B740/B780/B800/B840	8010-CN-001
	Standard arm	B750/B760	8010-CB-001-D
	Offset arm (Under 150 kg)	B710/B720/B740/B780/B800/B840	8010-OF-L 8010-OF-R
	Offset arm (For Heavy duty door)	B750/B760	PA-8010-B0F-32D
Pivot	681	B710/B780	PA-681-1P
	1P	B710/B740/B780/B800/B840	PA-8010-1P
	2P	B710/B720/B740/B750/B760/B780/B800/B840	PA-8010-2P
	3P	B710/B720/B740/B750/B760/B780/B800/B840	PA-8010-3P
	4P	B710/B720/B740/B750/B760/B780/B800/B840	PA-8010-4P
	5P	B710/B720/B740/B750/B760/B780/B800/B840	PA-8010-5P
Alternative spindles	3mm	B720/B750/B760/B800	PA-610-J-003
	5mm		PA-610-J-005
	10mm		PA-610-J-010
	15mm		PA-610-J-015
	20mm		PA-610-J-020
	25mm		PA-610-J-025
	30mm		PA-610-J-030
	35mm		PA-610-J-035
	40mm		PA-610-J-040
	45mm		PA-610-J-045
50mm	PA-610-J-050		

Door closer accessory

Accessory	Name	Type	Comply with	Item No.
Arm	S	Standard	R500/R520/R580/R580	PA-6010-S
	A	End	R500/R520/R580/R580	PA-6010-A
	K	End	R500/R520/R580/R580	PA-6010-K
	PT	End	R500/R520/R580/R580	PA-6010-PT
Pivot	AS	Side	R500/R520/R580/R580	PA-6010-AS
	XS	Side	R500/R520/R580/R580	PA-6010-XS
	XK	End	R500/R520/R580/R580	PA-6010-XK
	JO	Side	R500/R520/R580/R580	PA-6010-JO
	VO	Side	R500/R520/R580/R580	PA-6010-VO
	1P		R500/R520/R580/R580	PA-6010-1P
Alternative spindles	2P		R500/R520/R580/R580	PA-6010-2P
	3P		R500/R520/R580/R580	PA-6010-3P
	GE		R500/R520/R580/R580	PA-6010-GE
	FS		R500/R520/R580/R580	PA-6010-FS
	FA		R500/R520/R580/R580	PA-6010-FA
	FE		R500/R520/R580/R580	PA-6010-FE
	FP		R500/R520/R580/R580	PA-6010-FP