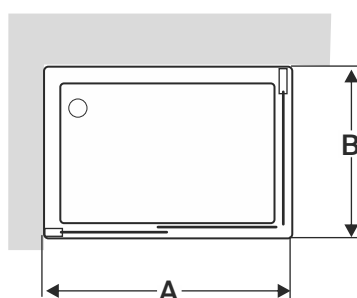
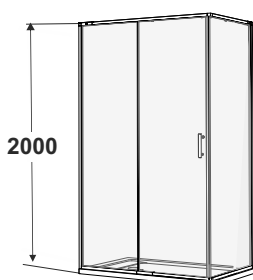


Alpine s/G

L2-E + LF-C



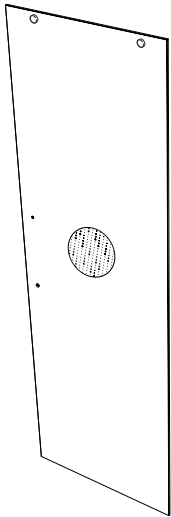
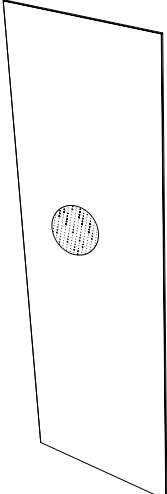
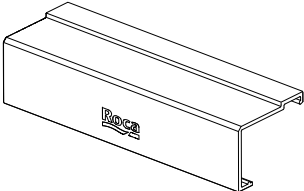
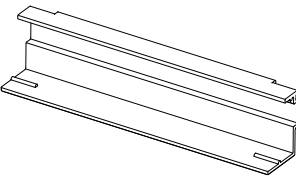

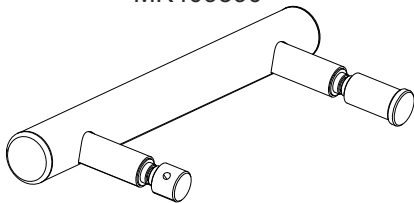
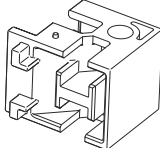
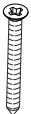
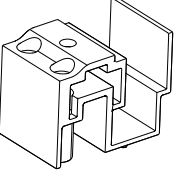
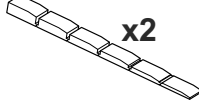
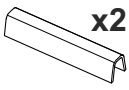
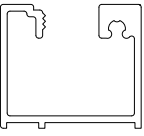

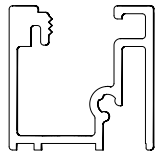
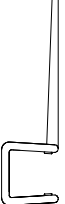
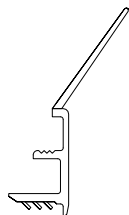

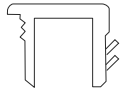
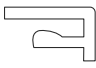
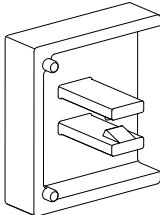
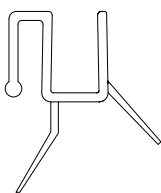
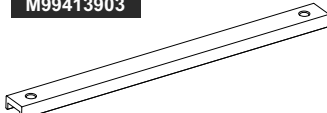
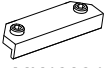
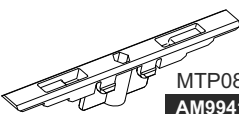
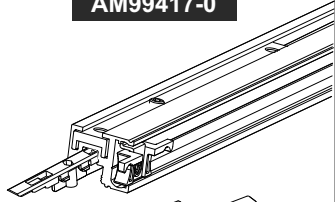
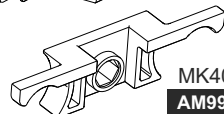
AM21B...
AM21C..



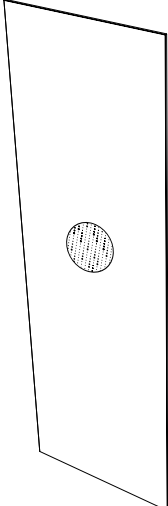

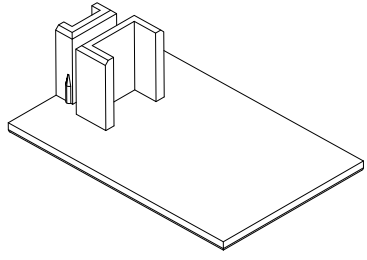
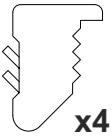
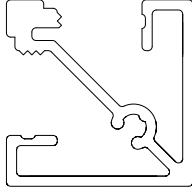
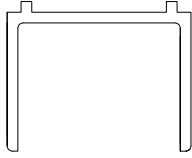
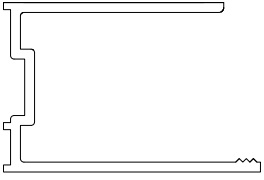
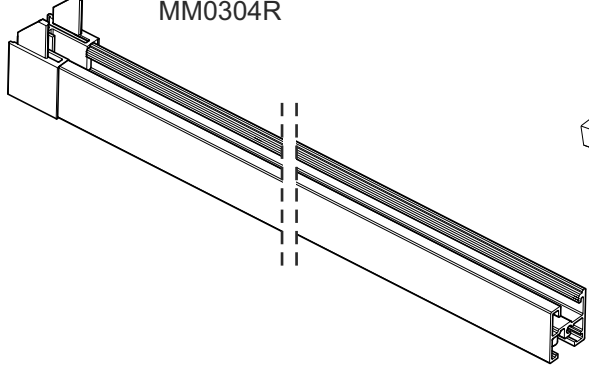
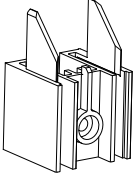
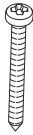
L2-E	A	
	min	máx.
1000	970	1020
1100	1021	1120
1200	1121	1220
1300	1221	1320
1400	1321	1420
1500	1421	1520
1600	1521	1620
1700	1621	1720
1800	1721	1820

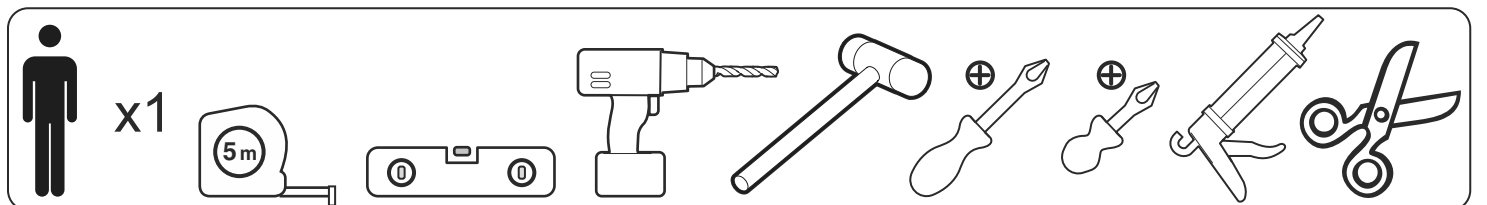
LF-C	B	
	min	máx.
700	685	710
750	735	760
800	785	810
900	885	910

L2-E

<p>MABZM</p>  <p>AM9943--M0</p>	<p>MAC9M</p>  <p>AM9943--M0</p>	<p>MTS003200 x6 MTP091006 x6 MTS002900 x6</p> <p>AM99412000</p>		<p>MTS001900 2,5 3 4 MTS006100</p>			
<p>MTP08690</p>  <p>AM9941330</p>		<p>MTP08700</p>  <p>MTP086803</p>	<p>MK409350 x2</p>  <p>AM9941440</p>	<p>MK409390</p>  <p>AM9941460</p>			
<p>MTZ05530</p>  <p>AM9941380</p>	<p>MTS017400</p>  <p>MTZ05520</p>  <p>AM9941370</p>	<p>MTP071700 x2</p>  <p>AM99412200</p>	<p>MTP08430 x2</p>  <p>AM9939390</p>				
<p>MM03060</p>  <p>AM9941570</p>	<p>MM01900</p>  <p>AM9939060</p>	<p>MM03050</p>  <p>AM9943110</p>	<p>MU0750010 x2</p>  <p>AM99395300</p>	<p>MU0749010</p>  <p>AM99415000</p>	<p>MU0735010 x2</p>  <p>AM99414806</p>	<p>MU0737010</p>  <p>AM99415200</p>	<p>MU0745010</p>  <p>AM99415300</p>
<p>MTP08710</p>  <p>AM9941360</p>	<p>MU0563010</p>  <p>AM99374400</p>	<p>MK4093303 M99413903</p>  <p>MK409340 AM99414003</p>  <p>MTP088203 AM99414103</p> 		<p>MM03010 AM99417-0</p>  <p>MK4093703 AM9941420</p> 			

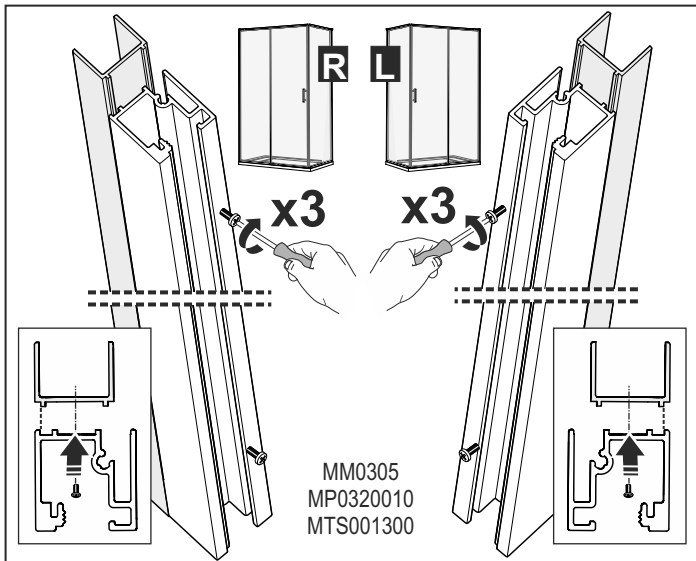
LF-C

<p>MAC8M</p>  <p>AM99424-M0</p>	<p>MTS001300</p>  <p>AM99348000</p>	<p>MTP087300</p>  <p>AM99413500</p>	
<p>MU0735010</p>  <p>x4</p> <p>AM99414806</p>	<p>MP0318010</p>  <p>AM9941600</p>	<p>MP0320010</p>  <p>AM9941610</p>	<p>MM03070</p>  <p>AM9941590</p>
<p>MM0304R</p>  <p>x2</p> <p>MK409340 AM99414003</p> <p>AM99418-</p>		<p>MTP08670</p>   <p>MTS001000</p> <p>AM9941260</p>	

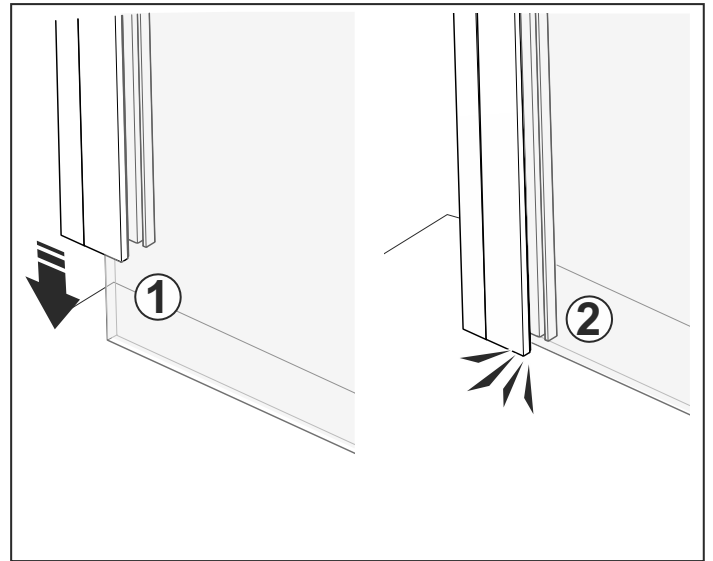




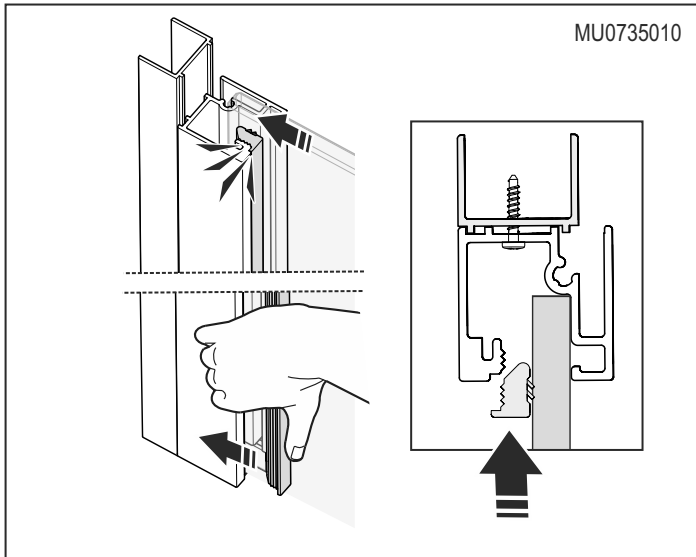
7



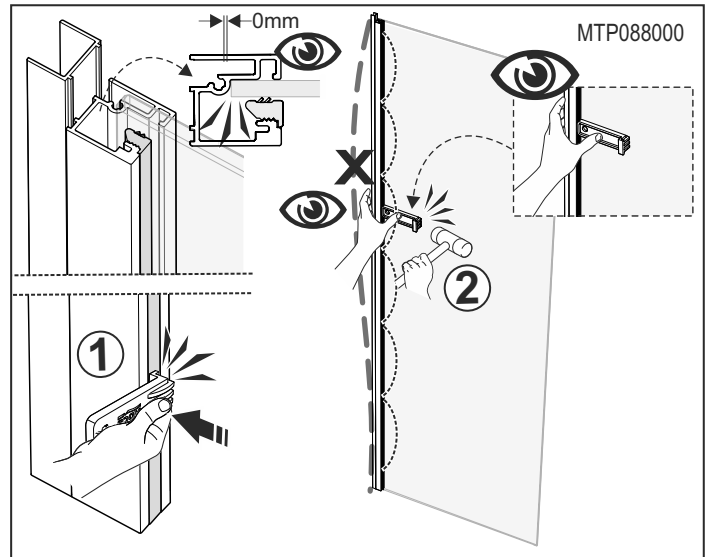
8



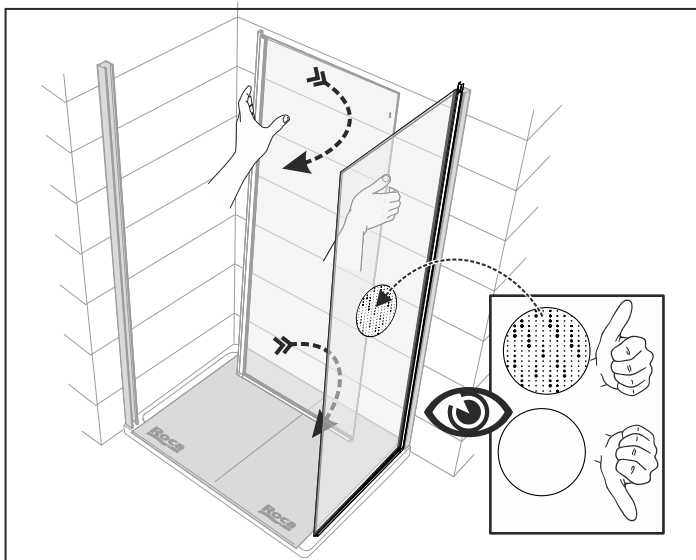
9



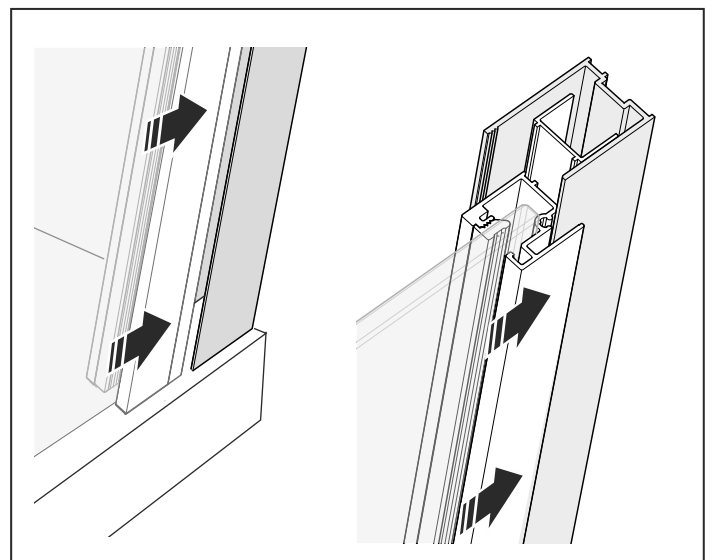
10



11

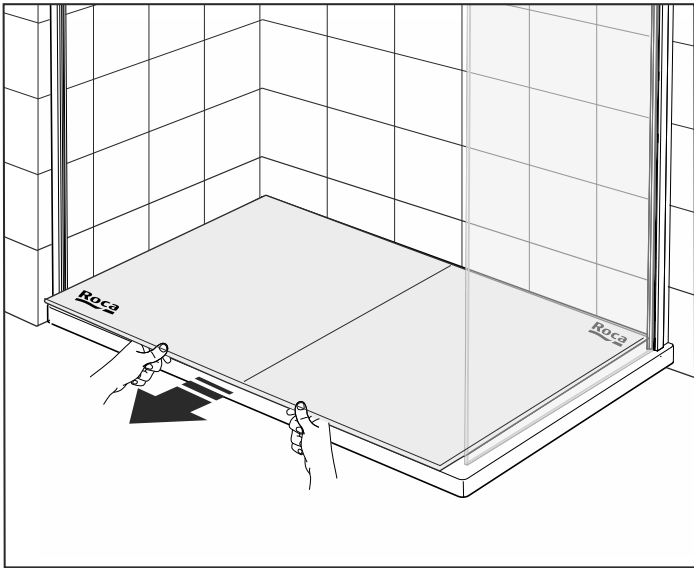


12

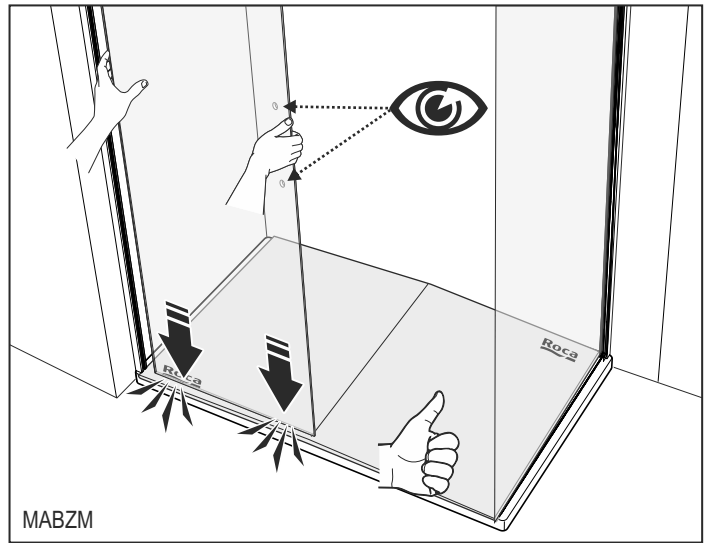




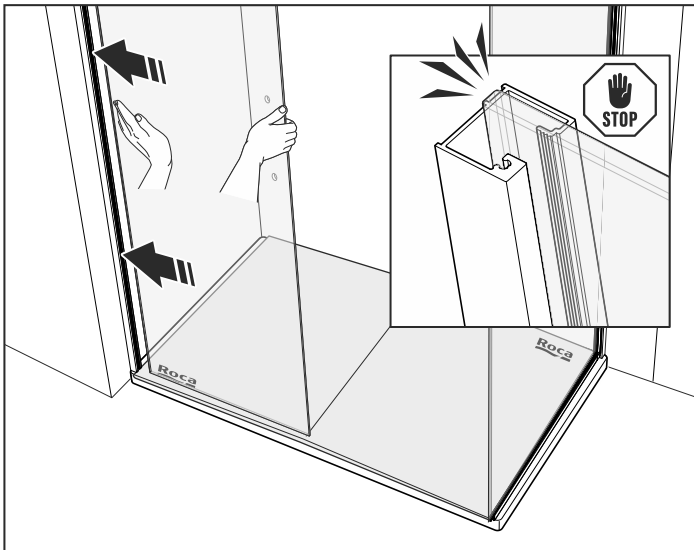
13



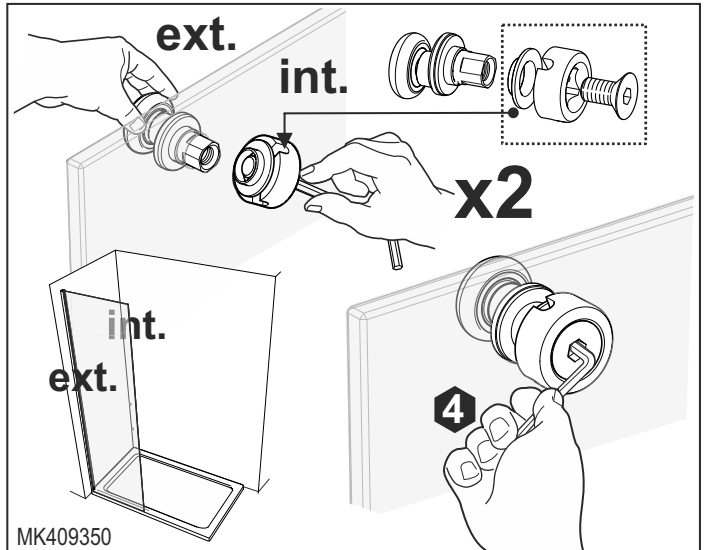
14



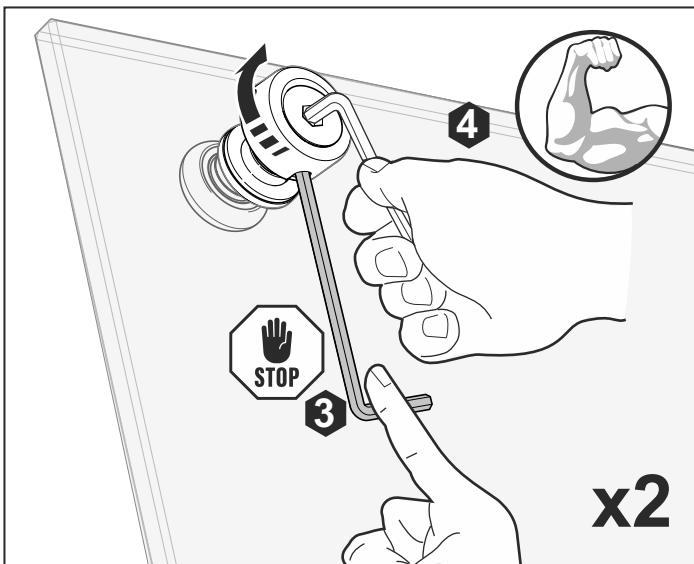
15



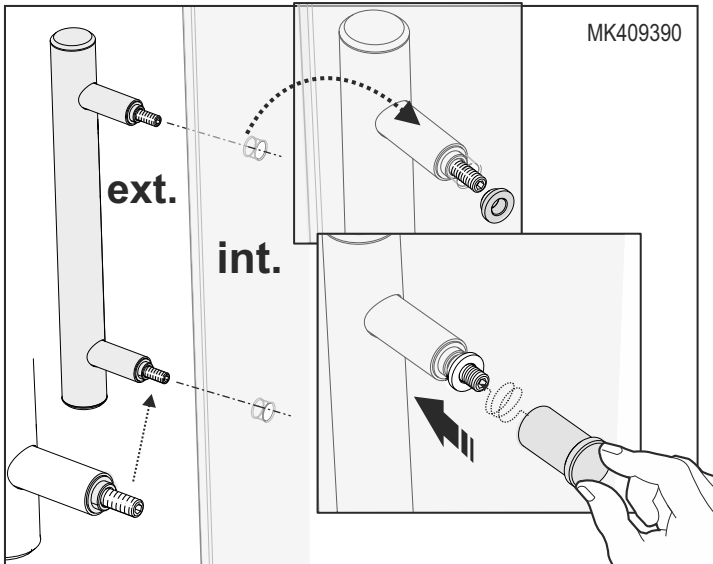
16



17

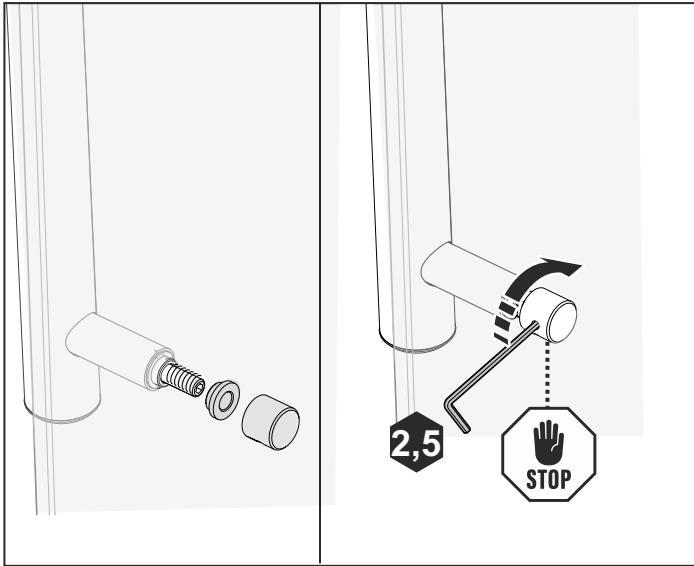


18

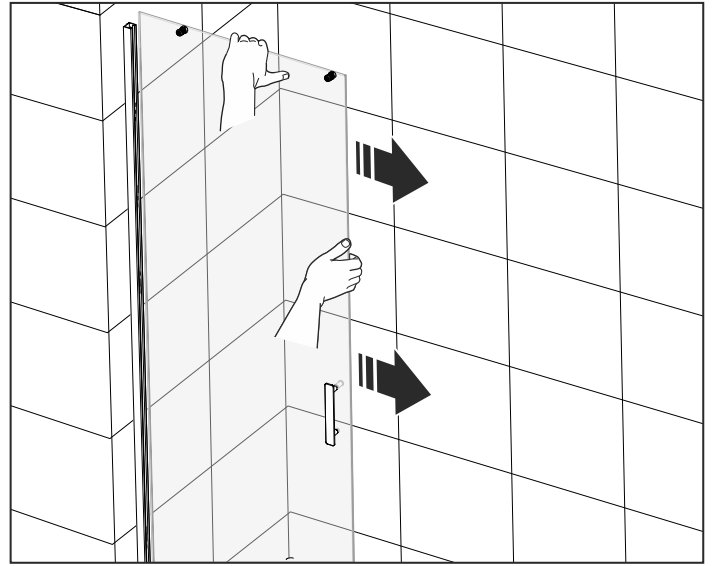




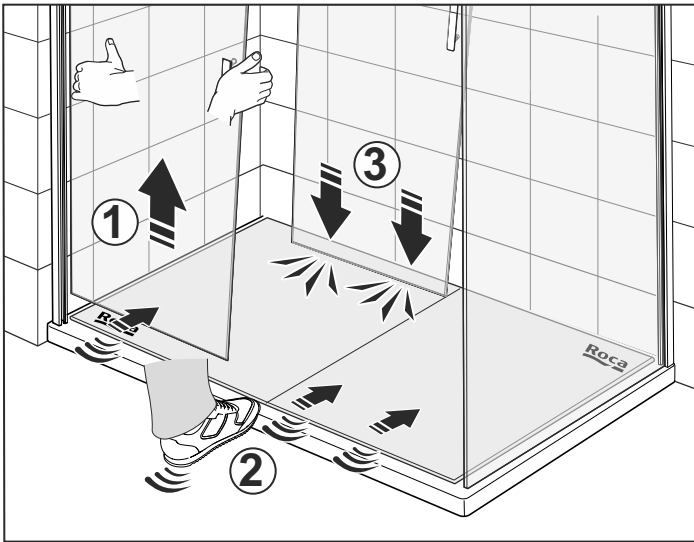
19



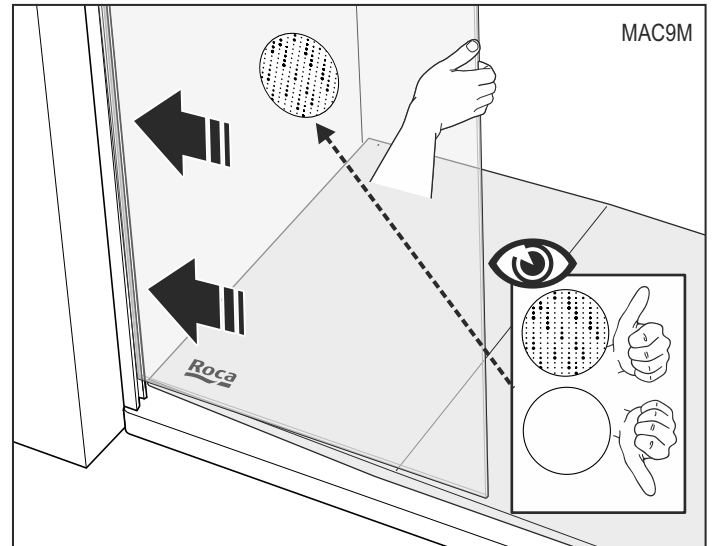
20



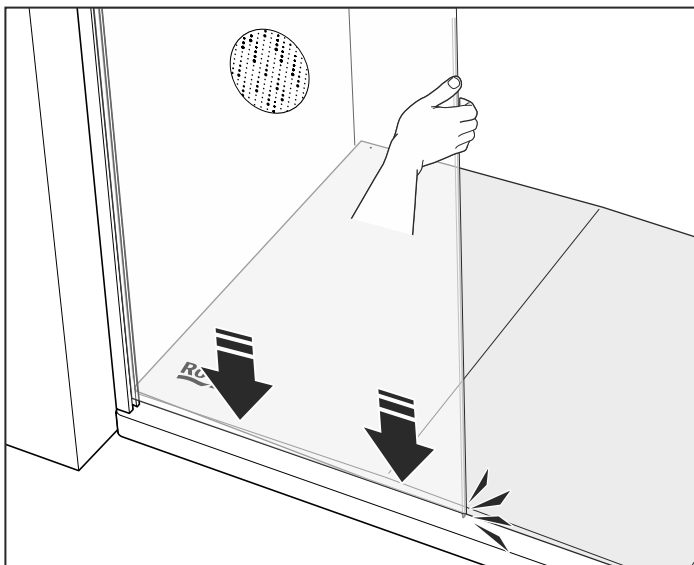
21



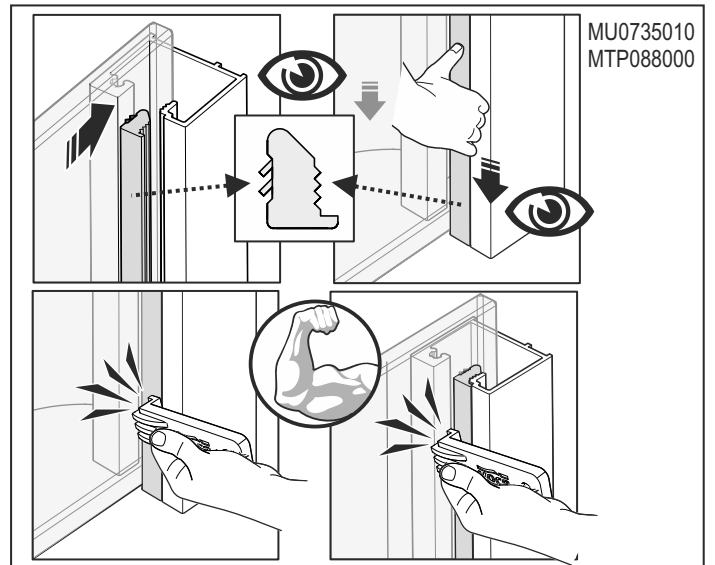
22



23

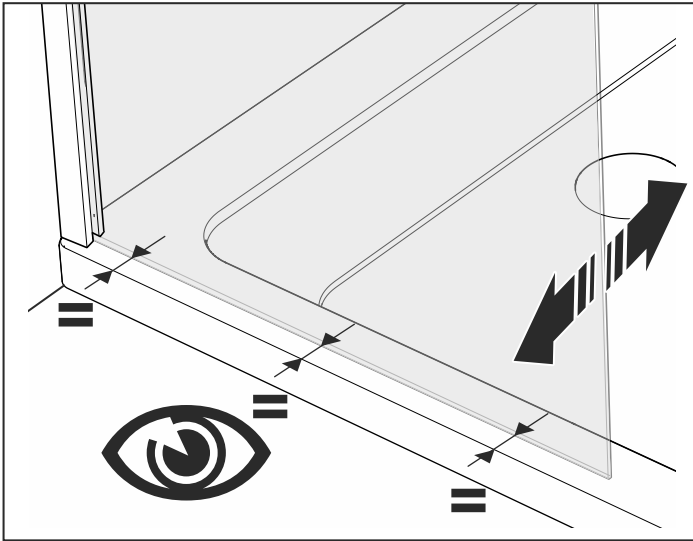


24

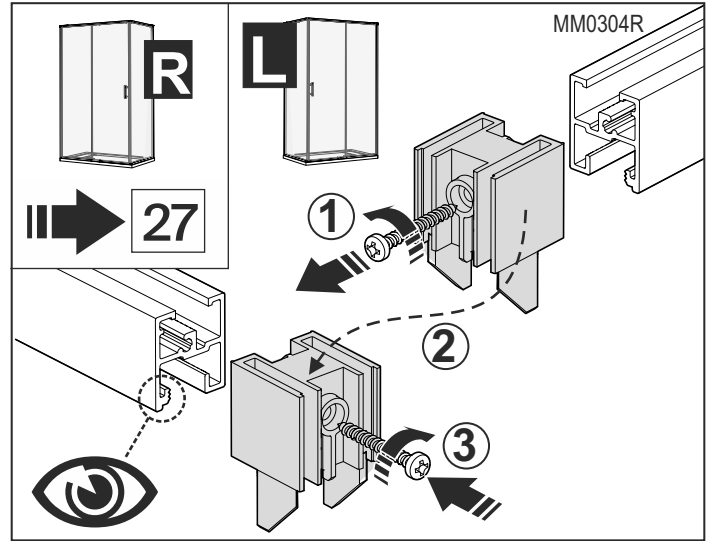




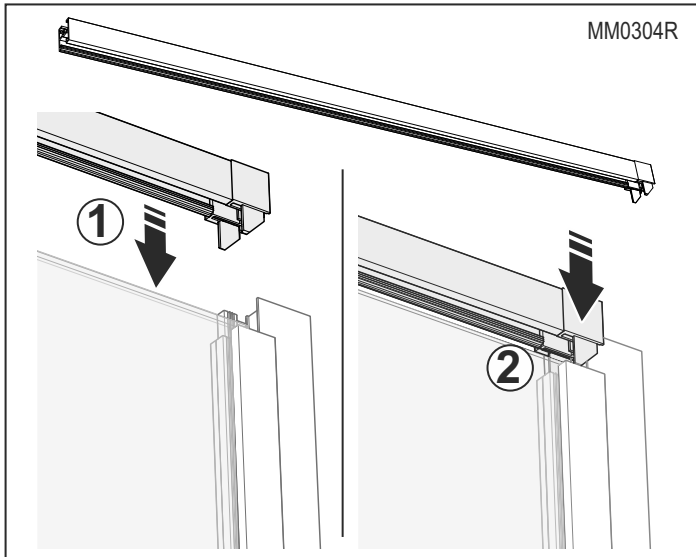
25



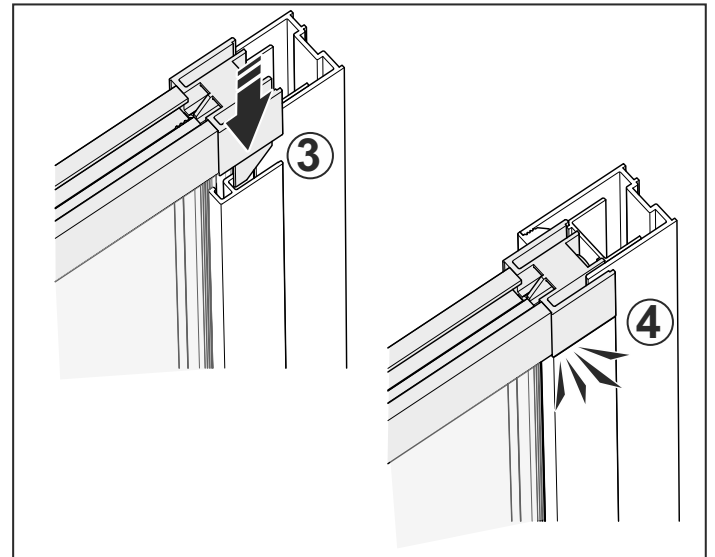
26



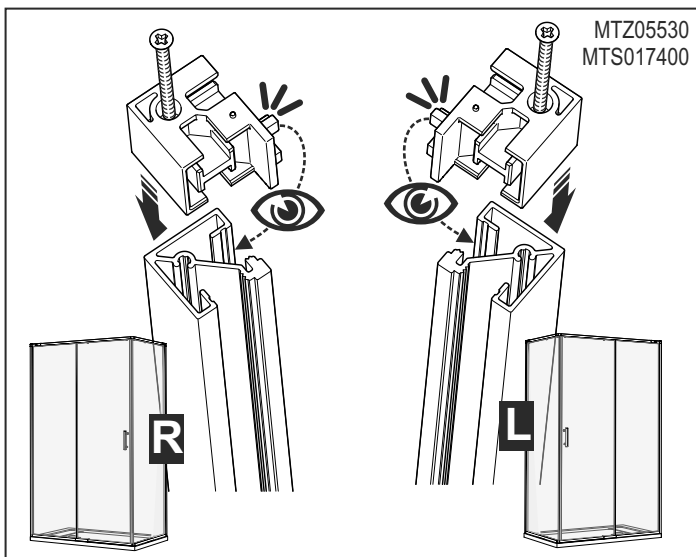
27



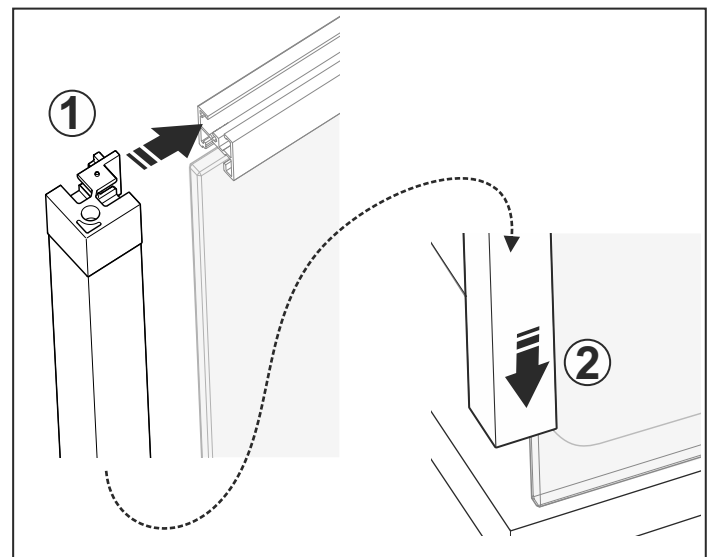
28



29

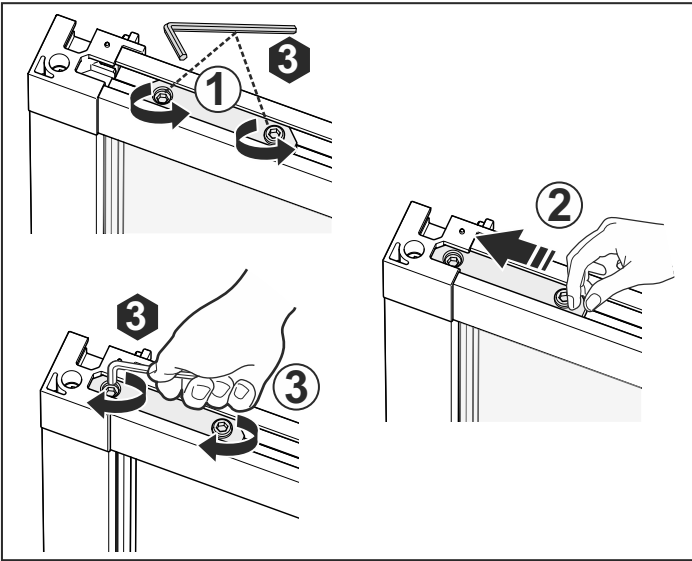


30

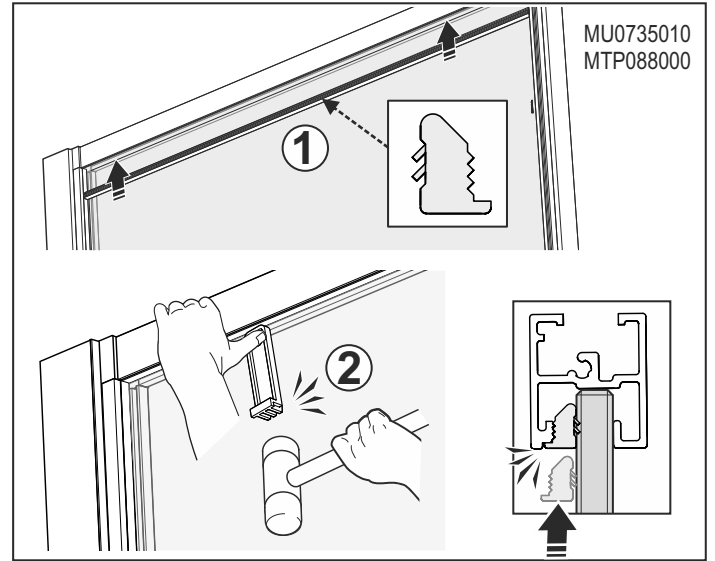




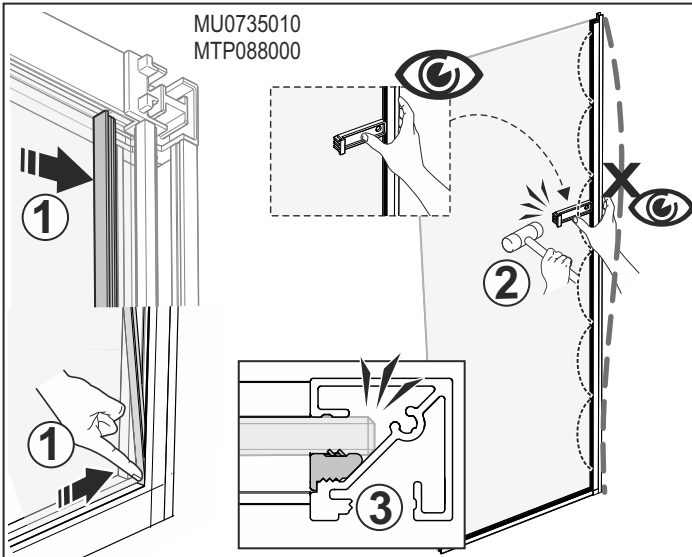
31



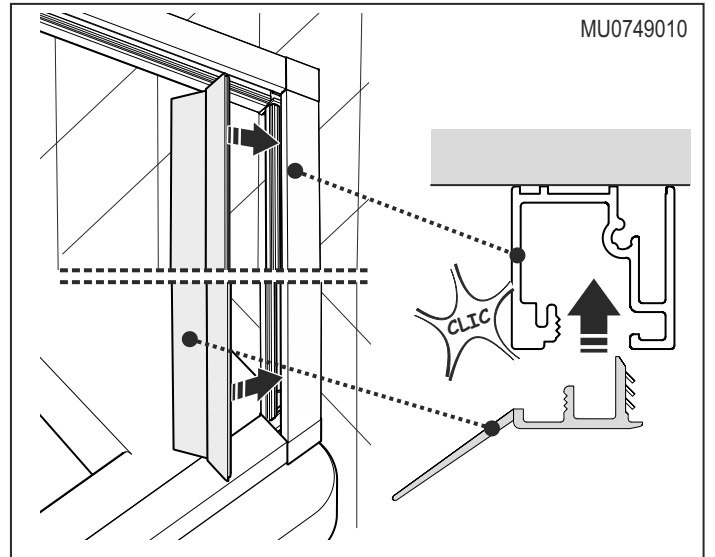
32



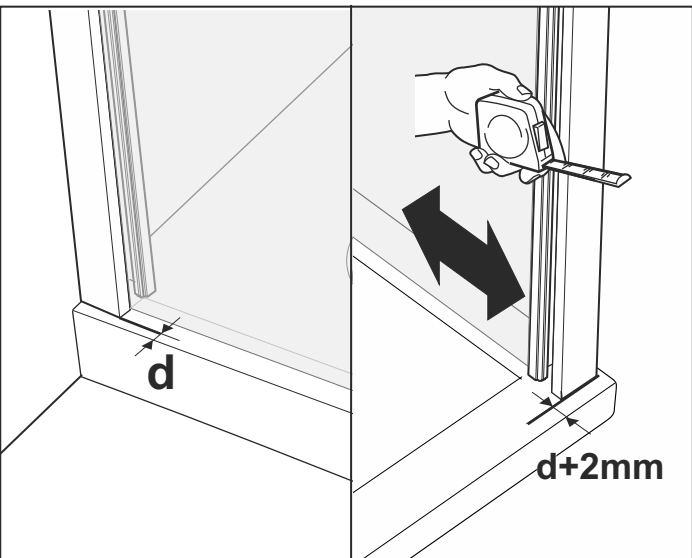
33



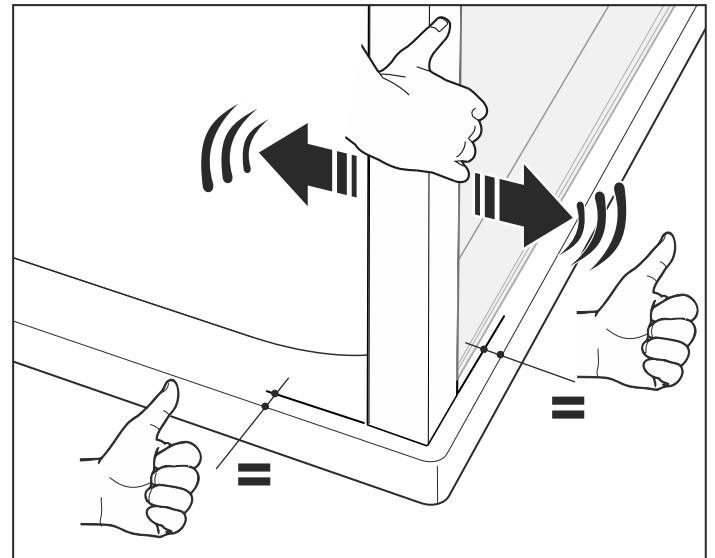
34



35



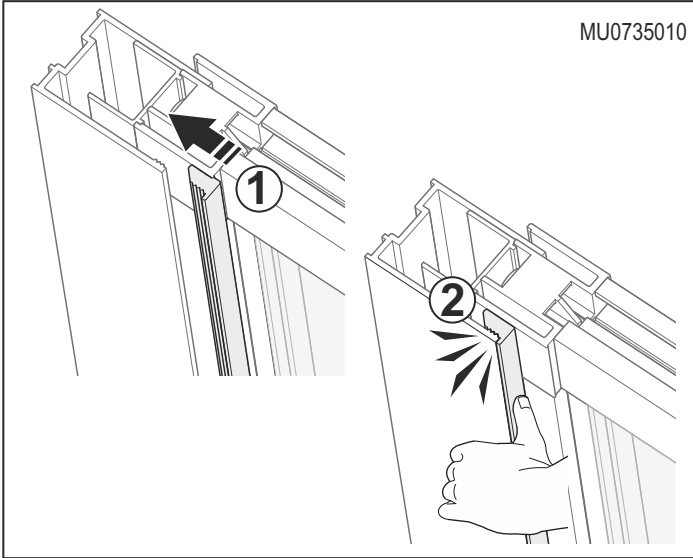
36





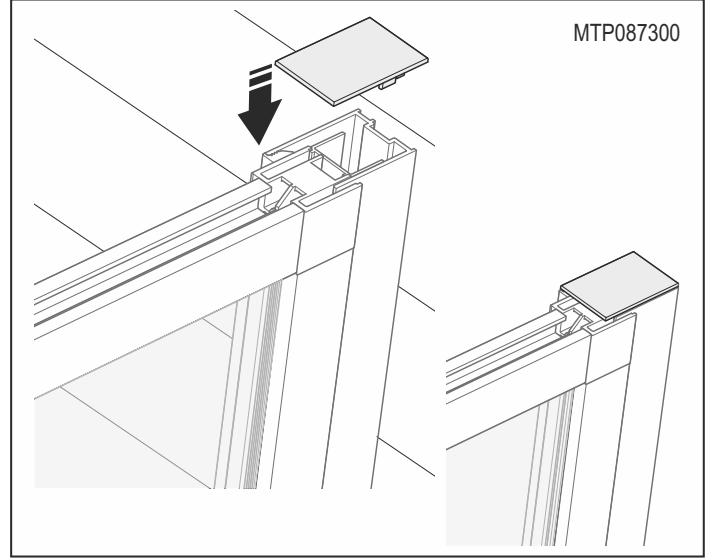
37

MU0735010



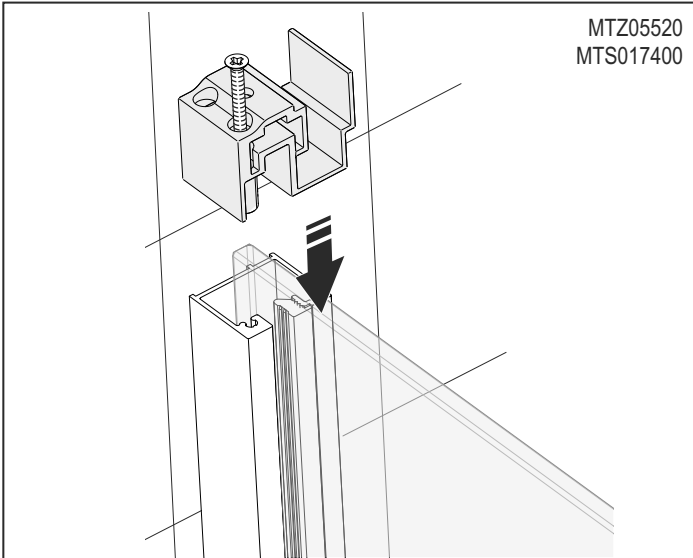
38

MTP087300

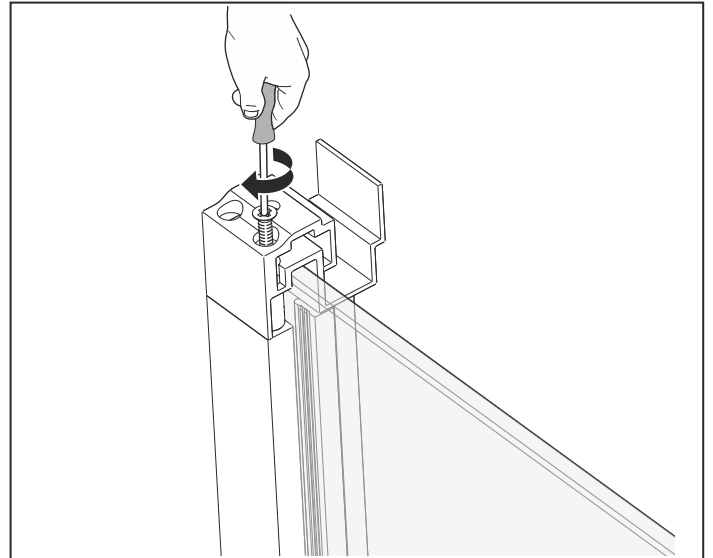


39

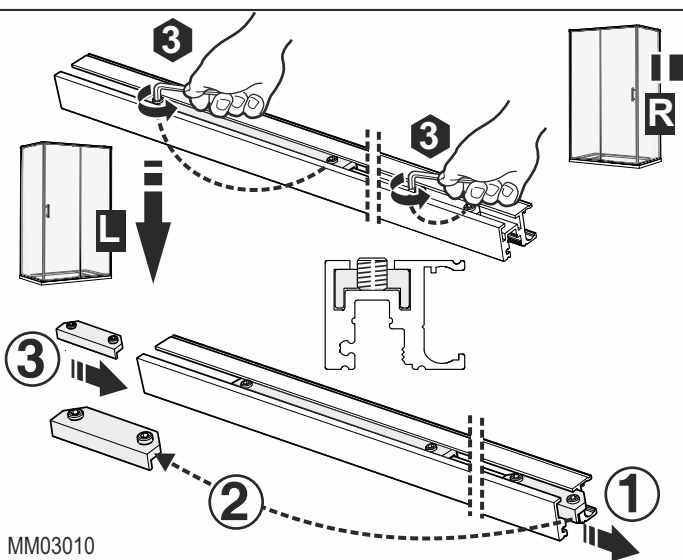
MTZ05520
MTS017400



40

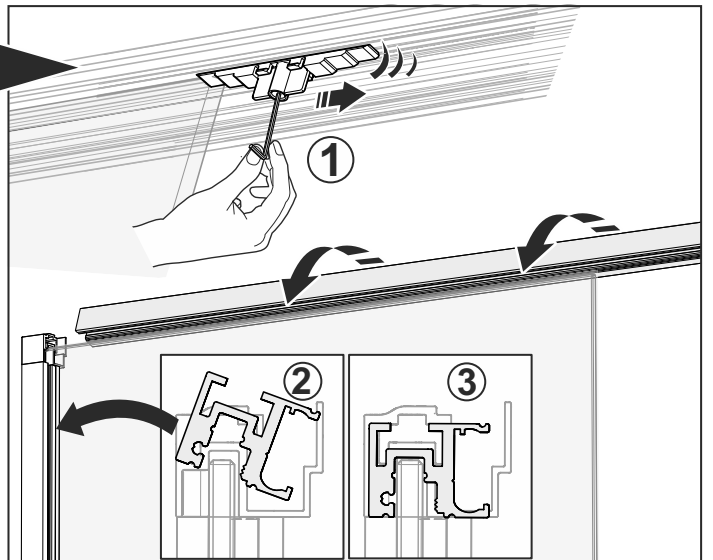


41



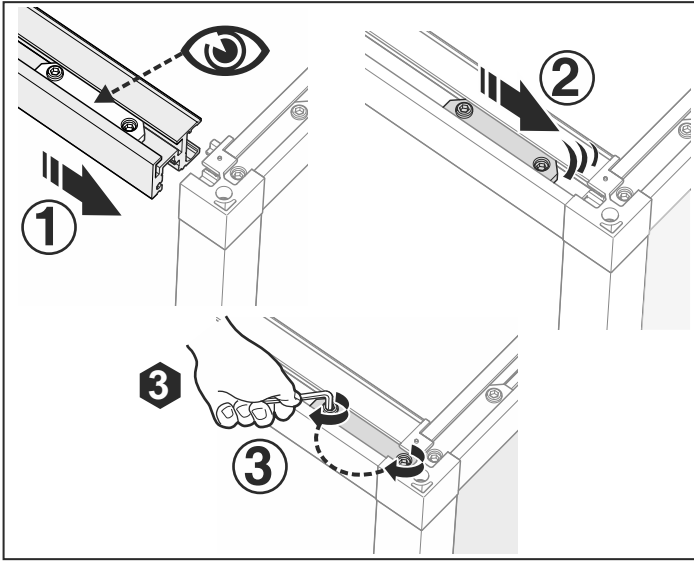
MM03010

42

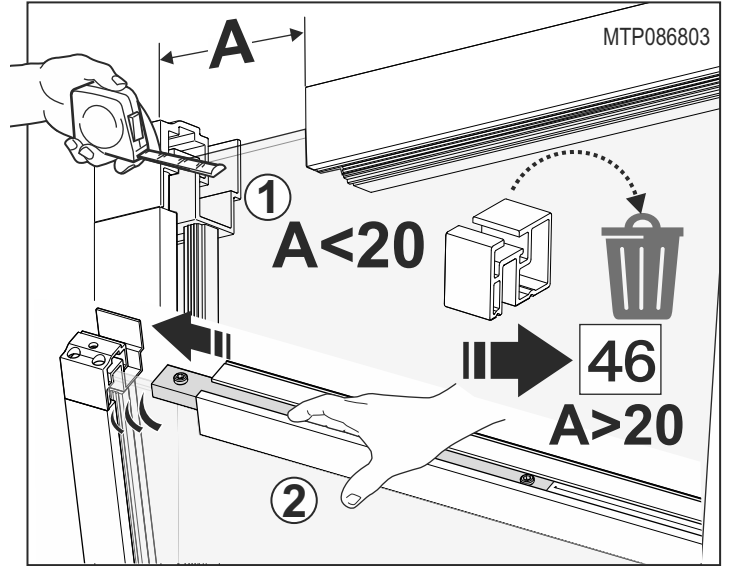




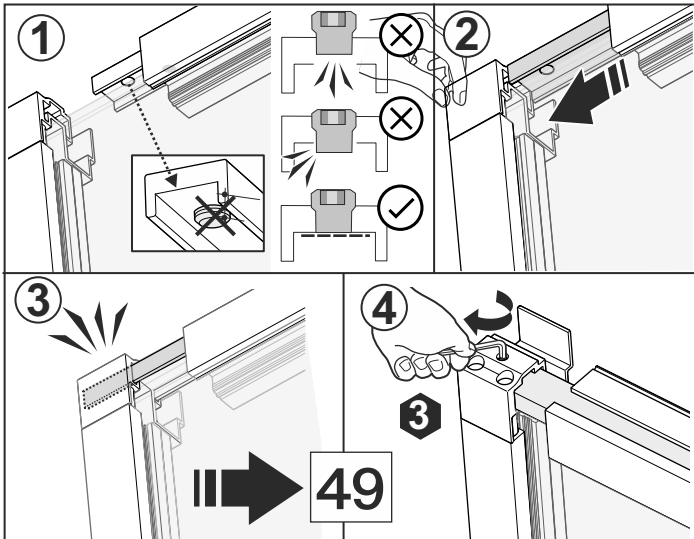
43



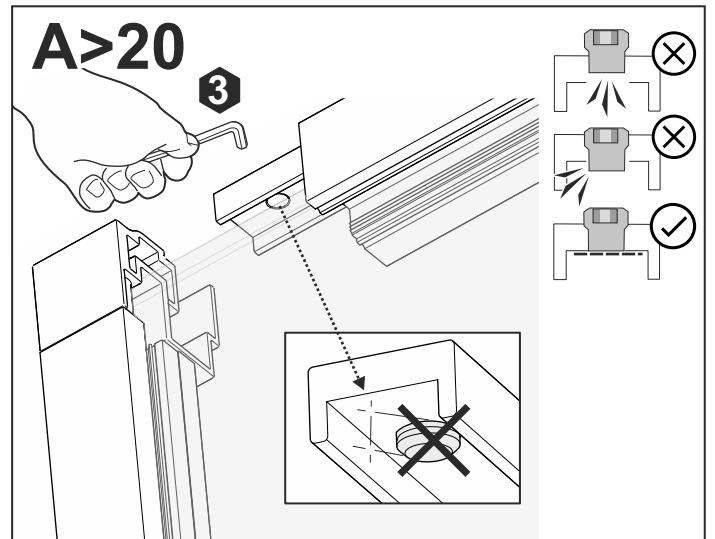
44



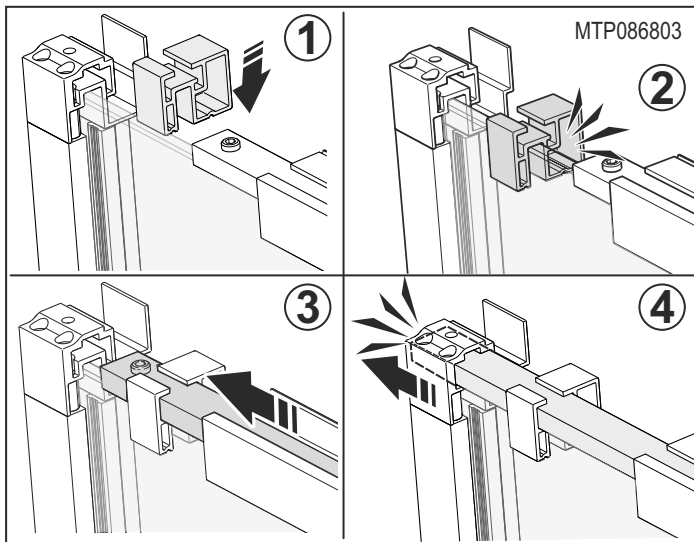
45



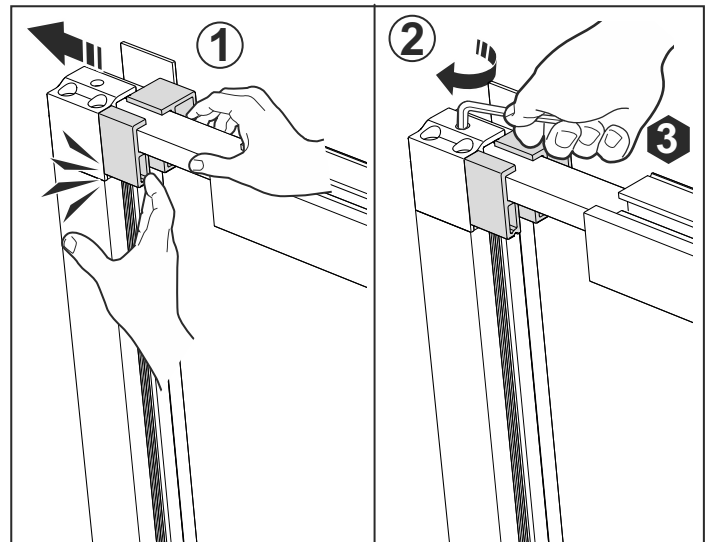
46



47

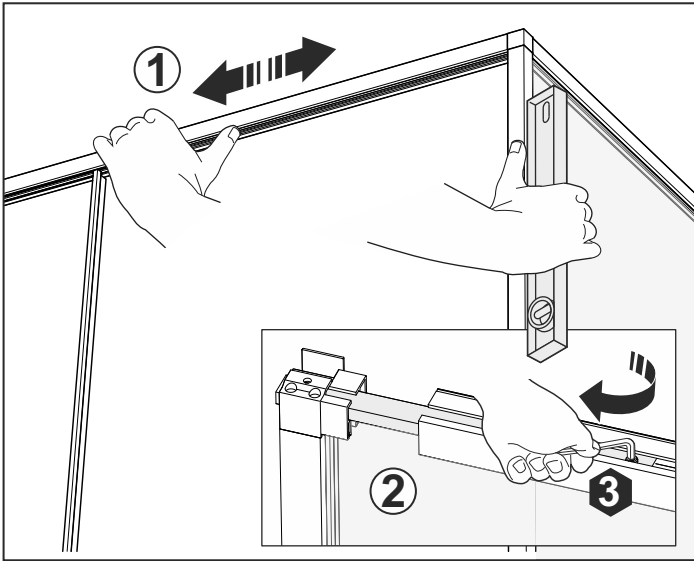


48

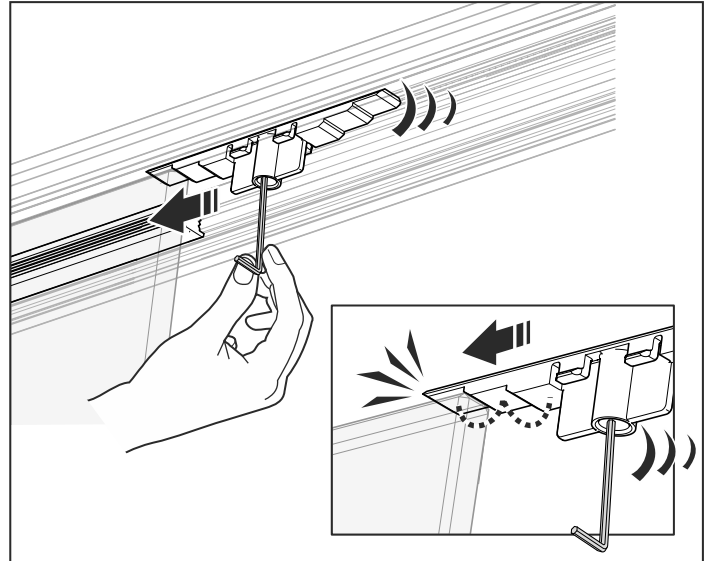




49

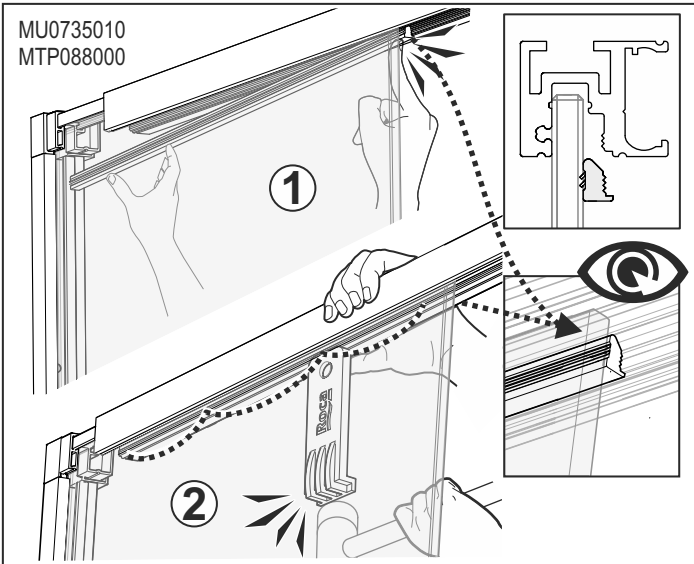


50



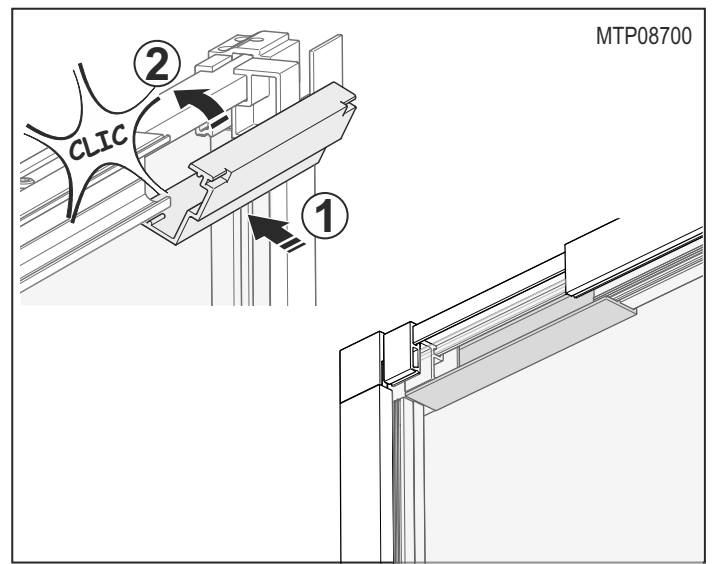
51

MU0735010
MTP088000



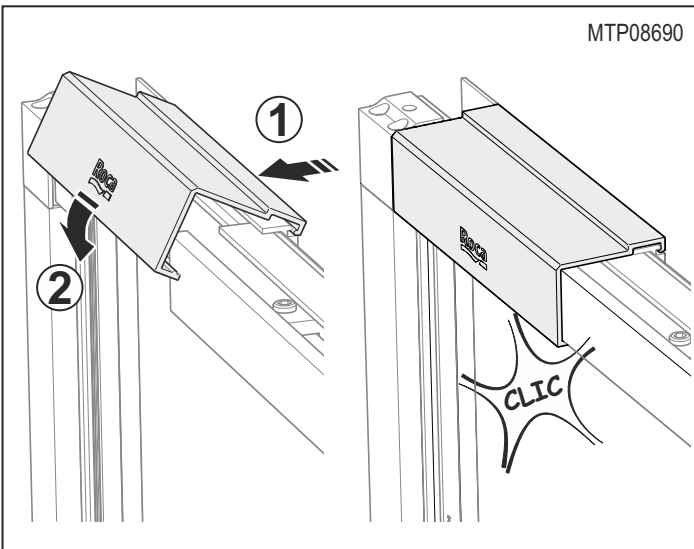
52

MTP08700



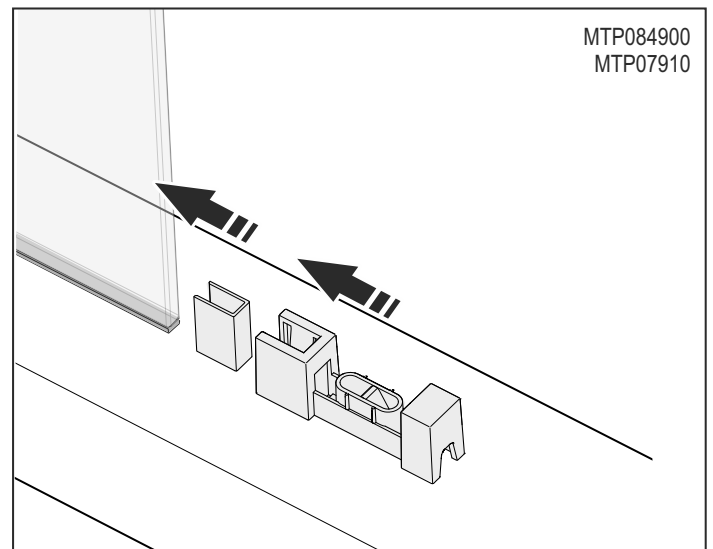
53

MTP08690



54

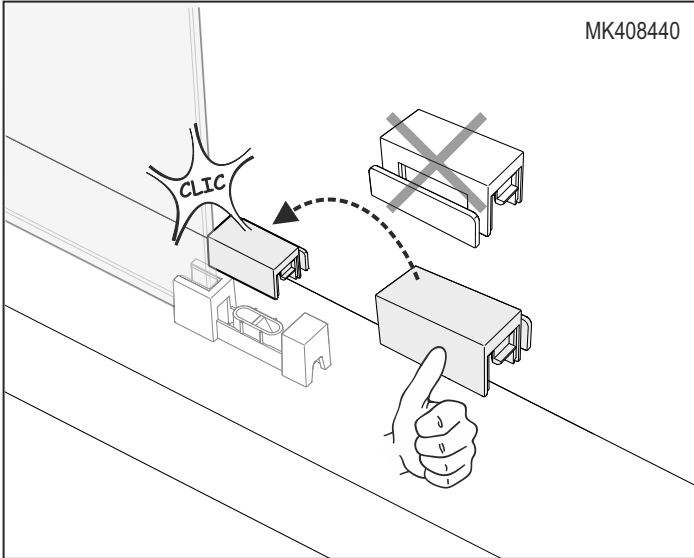
MTP084900
MTP07910





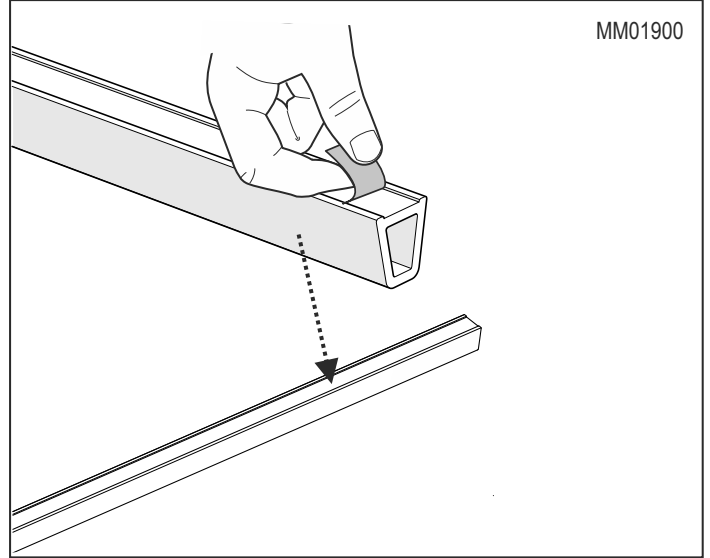
55

MK408440



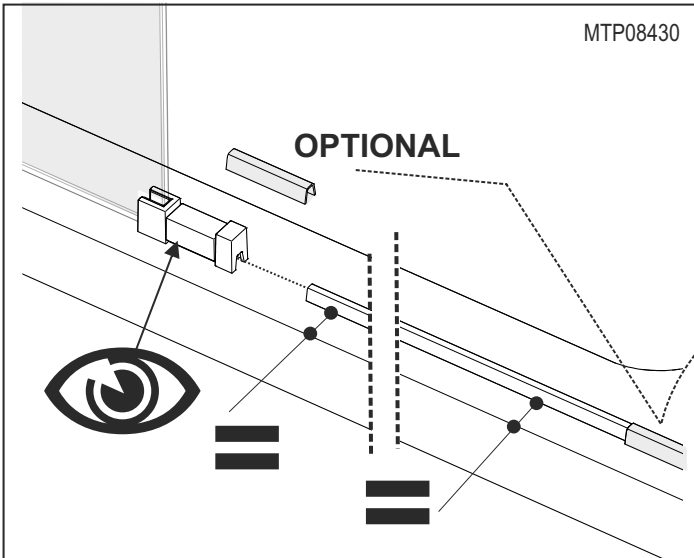
56

MM01900

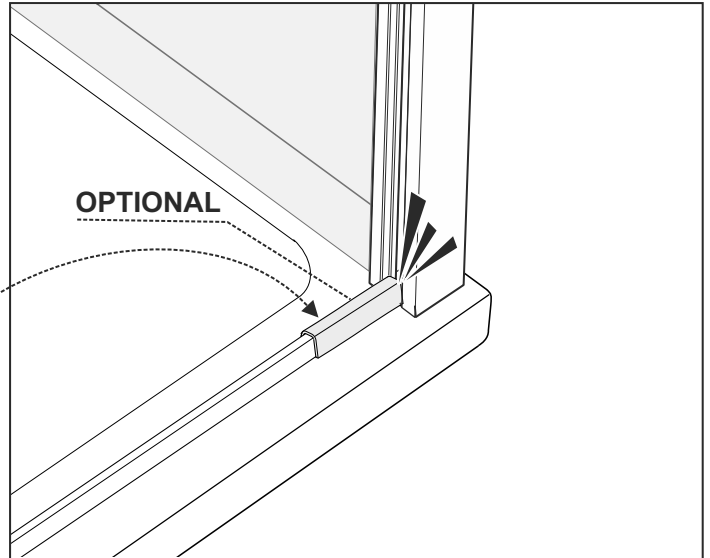


57

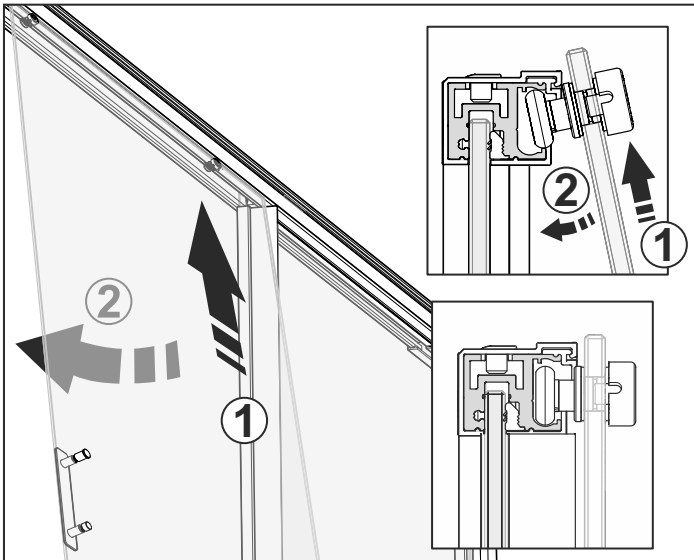
MTP08430



58

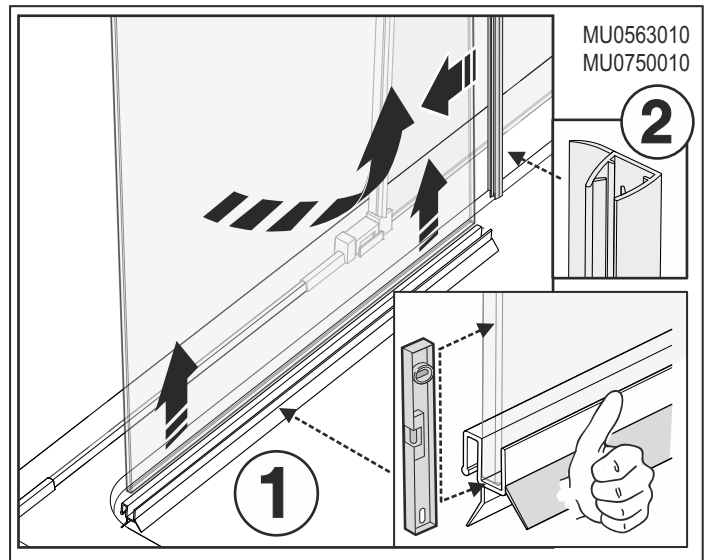


59



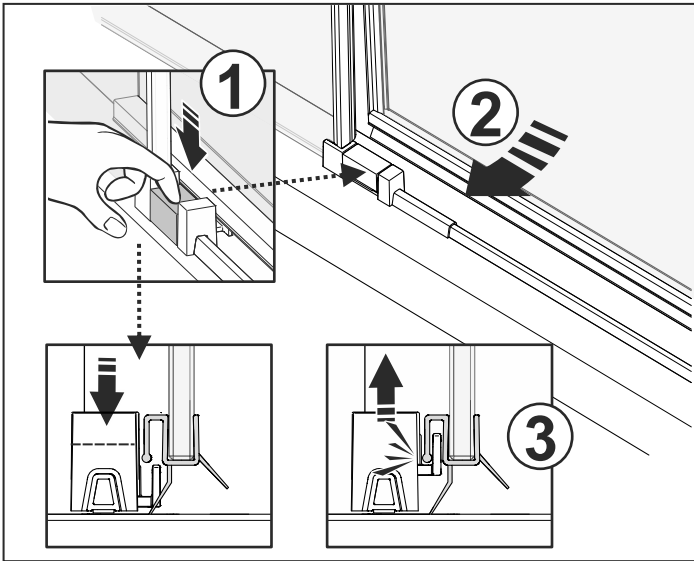
60

MU0563010
MU0750010

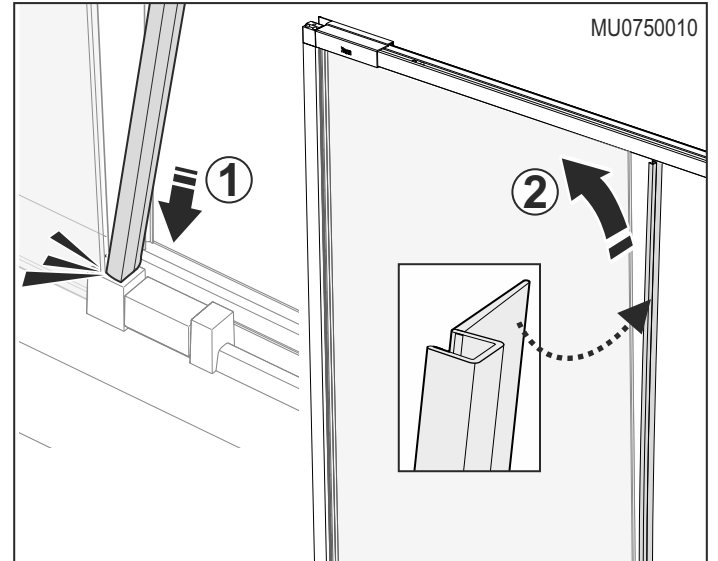




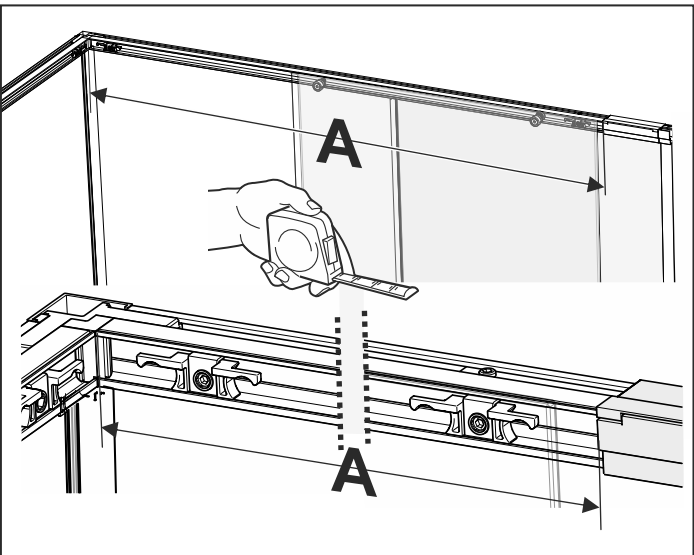
61



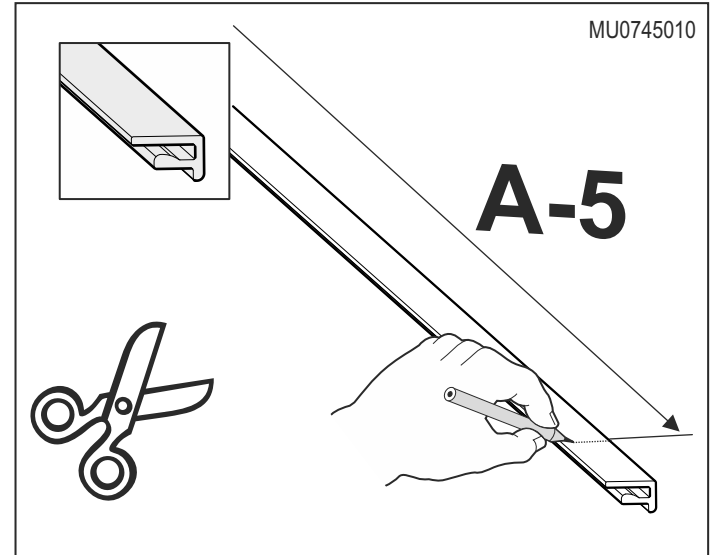
62



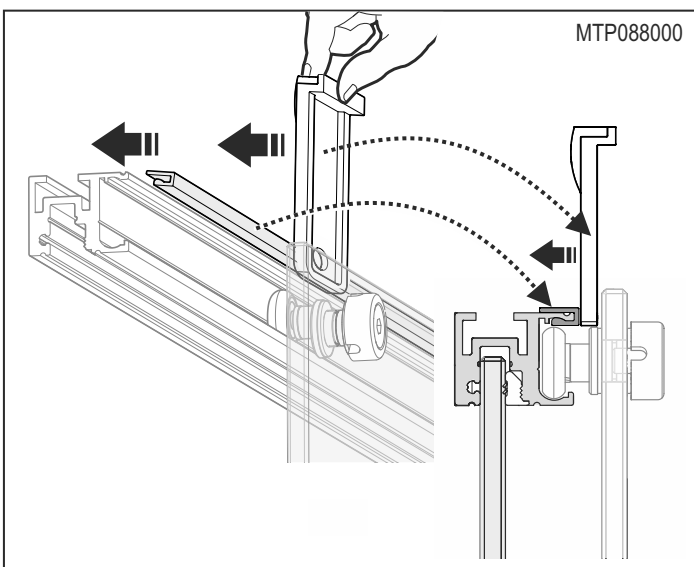
63



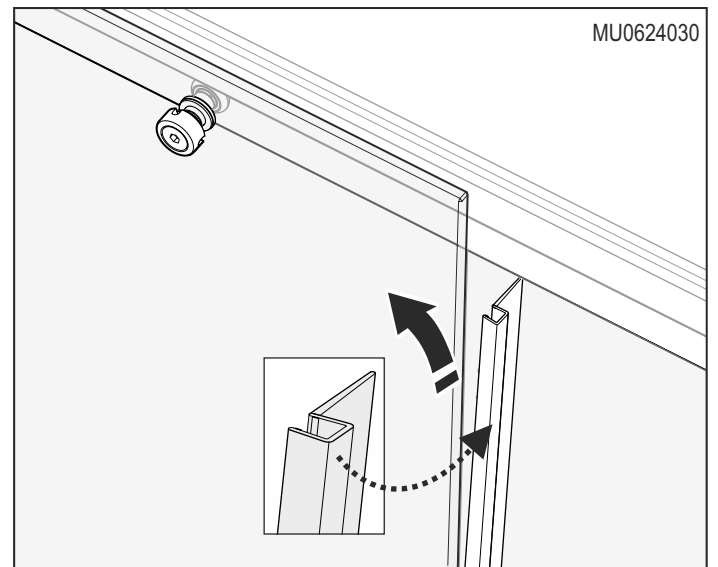
64



65

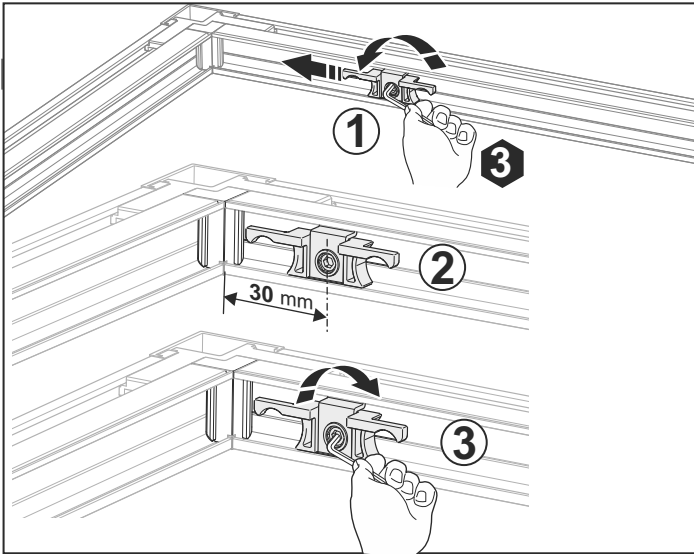


66

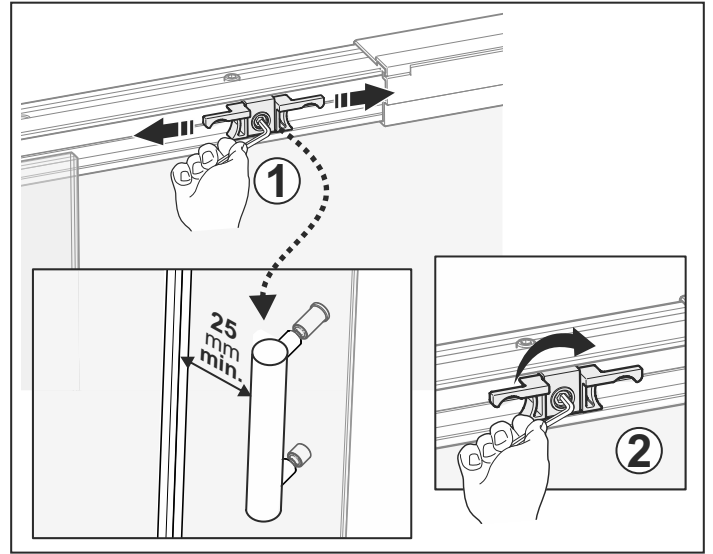




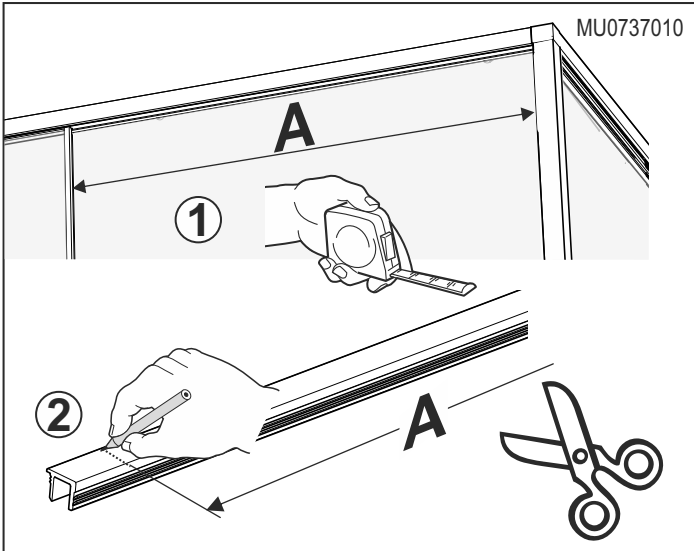
67



68

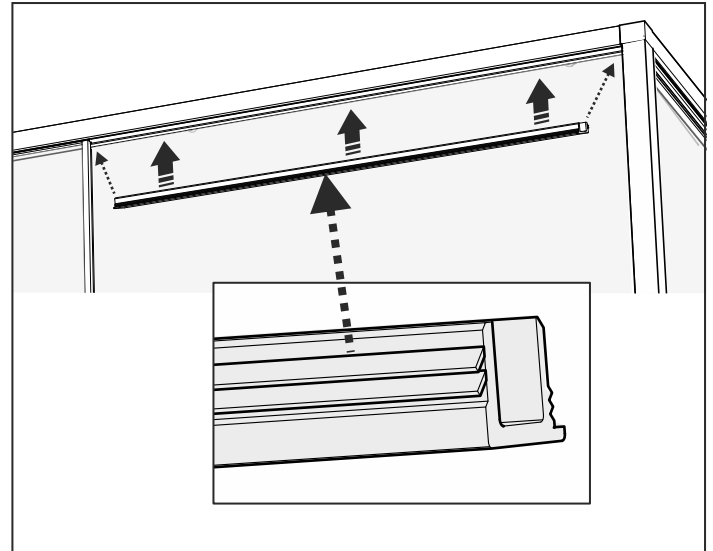


69

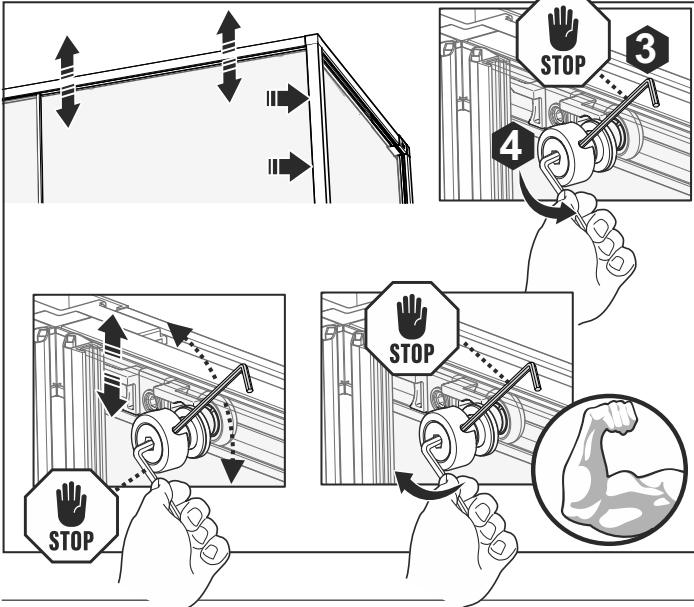


MU0737010

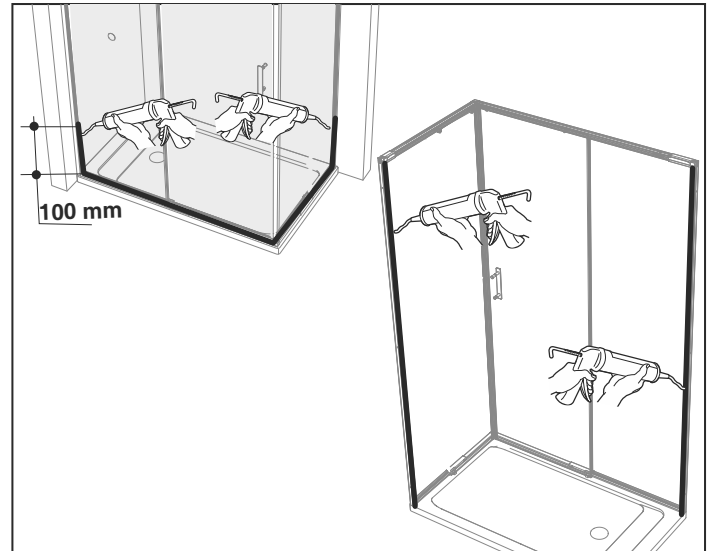
70



71

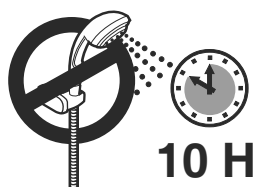


72



Roca Sanitario, S.A.U.
Avda Diagonal, 513
08029 Barcelona - España
roca.es

Línea de atención al cliente
Servicio Técnico Sanitario
+34 933 661 266



MTG1258
Roca