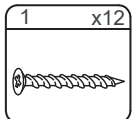
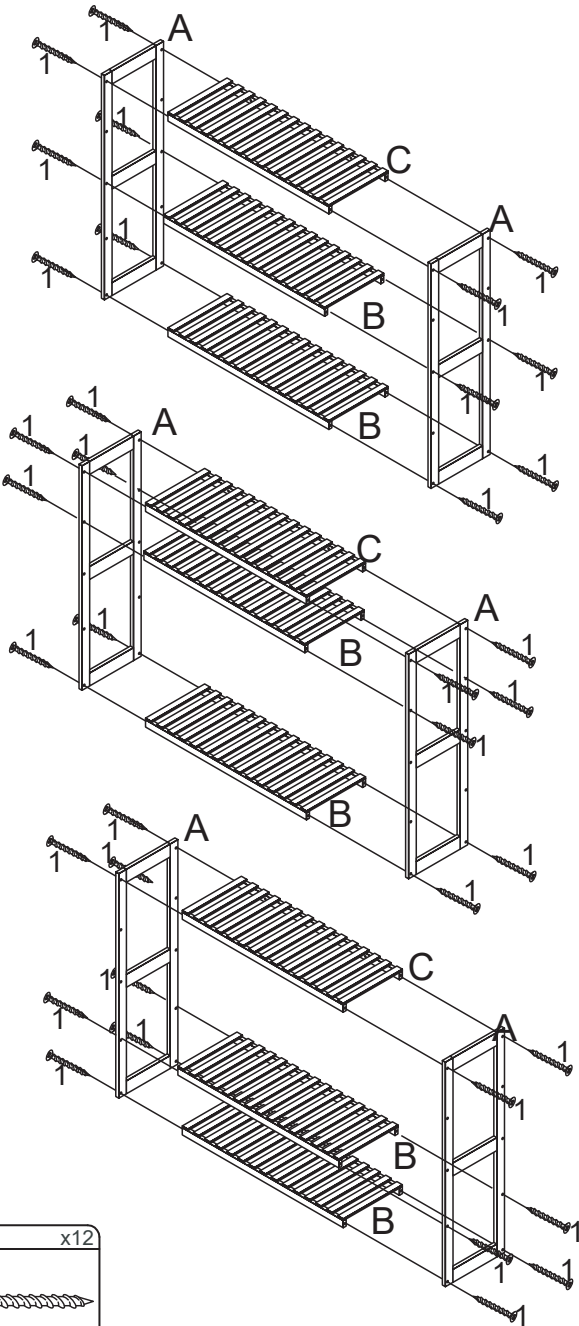


	A x 2	B x 2	1 x 12
			 Φ4x35mm
		C x 1	 Φ6x30mm
			 Φ4x40mm

**1**



**2**

