

## DESCRIPTION OF SYMBOLS



Read operator's manual.



Keep bystanders away.



Pay close attention to hands and feet to avoid injury.



Fuel is flammable, keep fire away. Do not add fuel with machine running.



Toxic fumes; do not operate indoors.



When mowing, please wear glasses and ear plugs for personal protection.



When repairing, please pick up the spark plug and then repair it according to the operational manual.



Caution: Engine hot.



Wear gloves.



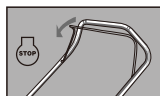
The product and its packaging are separately collected in order to be recycled.



Wear foot protection.



Beware of sharp elements.



Release the brake bar to stop the engine and blade.



The product complies with the applicable European directives and an evaluation method of conformity for these directives was done.



Noise level marking. Your tool noise is not more than 96dB.



KEEP HANDS AND FEET AWAY.



Ukrainian conformity marking.



Green point : Packaging recycling.

## DESCRIPTION OF SYMBOLS



**WARNING:** Keep the safety signs clear and visible on the equipment. Replace the safety signs if they are missing or illegible.

## CONTENTS

1. INTENDED USE
2. SAFETY INSTRUCTIONS
3. PARTS DESCRIPTION
4. TECHNICAL DATA
5. TROUBLESHOOTING
6. WARRANTY
7. MAINTENANCE STORAGE AND TRANSPORTATION
8. DISPOSAL AND RECYCLING
9. EXPLODED VIEW WITH PARTS LIST
10. EC-DECLARATION OF CONFORMITY



**WARNING:** For your own safety please read this manual and engine manual before attempting to operate your new unit. Failure to follow instructions can result in serious personal injury. Spend a few moments familiarising yourself with your mower before each use. Keep this manual in a safe place, so that the information is available at all times. If you give the equipment to any other person, hand over these operating instructions and safety regulations as well.

## 1. INTENDED USE

The equipment may only be used for the tasks it is designed to handle. Any other use is deemed to be a case of misuse. The user/operator and not the manufacturer will be liable for any damage or injuries of any kind caused as a result of this.

The petrol lawn mower is intended for private use i.e. for use in home and gardening environments.

Private use of the lawn mower assumes an annual operating time generally not exceeding 50 hours, during which time the machine is primarily used to maintain small-scale, residential lawns and home/hobby gardens. Public facilities, sporting halls, and agricultural/forestry applications are excluded.

Please note that our equipment has not been designed for use in commercial, trade or industrial applications. Our warranty will be voided if the machine is used in commercial, trade or industrial businesses or for equivalent purposes.

The operating instructions as supplied by the manufacturer must be kept and referred to in order to ensure that the lawn mower is properly used and maintained. The instructions contain valuable information on operating, maintenance and servicing conditions.

Important! Due to the high risk of bodily injury to the user, the lawn mower may not be used to trim bushes, hedges or shrubs, to cut scaling vegetation, planted roofs, or balcony-grown grass, to clean (suck up) dirt and debris off walkways, or to chop up tree or hedge clippings. Moreover, the lawn mower may not be used as a power cultivator to level out high areas such as molehills.

For safety reasons, the lawn mower may not be used as a drive unit for other work tools or toolkits of any kind.

## 2. SAFETY INSTRUCTIONS



**WARNING:** When using petrol tools, basic safety precautions, including the following, should always be followed to reduce the risk of serious personal injury and/or damage to the unit. Read all these instructions before operating this product and retain these instructions for future reference.



**WARNING:** This machine produces an electromagnetic field during operation. This field may under some circumstances interfere with active or passive medical implants. To reduce the risk of serious or fatal injury, we recommend persons with medical implants to consult their physician and the medical implant manufacturer before operating this machine.

EN

## 2. SAFETY INSTRUCTIONS

### Training

- Read the instructions carefully. Be familiar with the controls and the proper use of the equipment.
- Never allow children or people unfamiliar with these instructions to use the lawn mower. Local regulations may impose age restrictions on the operator.
- Never mow while people, especially children, or pets are nearby.
- Keep in mind that the operator or user is responsible for accidents or hazards caused to other people or their property.
- Operators must receive proper training in the use, adjustment and operation of the machine, including prohibited operations.

### Preparation

- While mowing, always wear substantial footwear and long trousers. Do not operate the equipment when barefoot or wearing open sandals.
- Thoroughly inspect the area where the equipment is to be used and remove all objects, such as stones, toys, sticks and wires, which can be thrown by the machine.
- **WARNING-** Petrol is highly flammable.
  - Store fuel in containers specifically designed for this purpose.
  - For storing fuel or equipment with fuel in tank: store away from furnaces, stoves, water heaters or other appliances that have pilot lights or other ignition sources because they can ignite fuel vapors.
  - refuel outdoors only and do not smoke while refueling.
  - add fuel before starting the engine. Never remove the cap of the fuel tank or add petrol while the engine is running or when the engine is hot.
  - if petrol is spilled, do not attempt to start the engine but move the machine away from the area of spillage and avoid creating any source of ignition until petrol vapors have dissipated.
  - replace all fuel tank and container caps securely.
- Replace faulty silencers.
- Before using, always visually inspect to see that the blades, blade bolts and cutter assembly are not worn or damaged. Replace worn or damaged blades and bolts in sets to preserve balance.
- Wear breath protection to reduce the risk of exhaust gas.

EN

## 2. SAFETY INSTRUCTIONS

### Operation

- Do not use the lawn mower while being tired, ill or under influence of alcohol or other drugs.
- Regular checking the lawn mower, ensure that all starting interlocks and operator presence controls are properly functioning.
- Do not use the lawn mower in the bad weather especially in the thunder rain day.
- The tool can only be used outdoors, and in no case in a building.
- Do not operate the engine in a confined space where dangerous carbon monoxide fumes can collect.
- Warning! Do not use the lawn mower when there is a risk for lightning.
- It is recommended to limit the duration of operation, in order to minimise the risks from noise and vibration.
- Be careful when using the lawn mower on slopes and near drop-offs, ditches or embankments.
- Mow only in daylight or in good artificial light.
- Avoid operating the equipment on wet grass, where possible.
- Always be sure of your footing on slopes.
- Walk, never run.
- For wheeled rotary machines, mow across the face of slopes, never up and down.
- Exercise extreme caution when changing direction on slopes.
- Do not mow excessively steep slopes.
- Do not operate on inclines greater than 15°.
- Use extreme caution when reversing or pulling the lawn mower towards you.
- Stop the blade(s) if the lawn mower has to be tilted for transportation when crossing surfaces other than grass, and when transporting the lawn mower to and from the area to be mowed.
- Never operate the lawn mower with defective guards, or without safety devices, for example deflectors and/or grass catchers, in place.
- Caution: The lawn mower shall not be operated without either the entire grass catcher or self-closing discharge opening guard in place.
- Do not change the engine governor settings or overspeed the engine.
- Do not alter or tamper with any sealed adjustment for the engine speed control.
- The lawn mower safety systems or features shall not be tampered with or disabled.
- Disengage all blades and drive clutches before starting the engine.
- Start the engine carefully according to instructions and with feet well away from the blade(s).
- Do not tilt the lawn mower when starting the engine.
- Do not start the engine when standing in front of the discharge chute.
- Do not put hands or feet near or under rotating parts. Keep clear of the discharge opening at all times.
- Never pick up or carry a lawn mower while the engine is running.
- Stop the engine and disconnect the spark plug wire, make sure that all moving parts have

## 2. SAFETY INSTRUCTIONS

come to a complete stop and, where a key is fitted, remove the key.

- Before clearing blockages or unclogging chute.
- Before checking, cleaning or working on the lawn mower.
- After striking a foreign object. Inspect the lawn mower for damage and make repairs before restarting and operating the lawn mower.
- If the lawn mower starts to vibrate abnormally (check immediately).
- Stop the engine and disconnect the spark plug wire, make sure that all moving parts have come to a complete stop and, where a key is fitted, remove the key.
- Whenever you leave the lawn mower.
- Before refueling.
- Reduce the throttle setting during engine shut down and, if the engine is provided with a shut-off valve, turn the fuel off when finished mowing.

### Maintenance and storage

- Keep all nuts, bolts and screws tight to be sure the equipment is in safe working condition.
- Never store the equipment with petrol in the tank inside a building where fumes can reach an open flame or spark.
- After use, the tool must be left outdoors for at least two hours before entering inside a building.
- Allow the engine to cool before storing in any enclosure; Clean and maintain the lawn mower before storage.
- To reduce the fire hazard, keep the engine, silencer, battery compartment and petrol storage area free of grass, leaves, or excessive grease.
- Check the grass catcher frequently for wear or deterioration.
- Replace worn or damaged parts for safety.
- If the fuel tank has to be drained, this should be done outdoors.
- Improper maintenance, use of non-conforming replacement components, or the removal or modification of safety components can damage the lawn mower and injure the operators seriously.
- Only use the blades and spare parts recommended. The use of non-genuine parts can damage the machine and injure the operators. Keep the lawn mower in good working condition.
- If the blade stopping device doesn't work, please contact service centre for help.

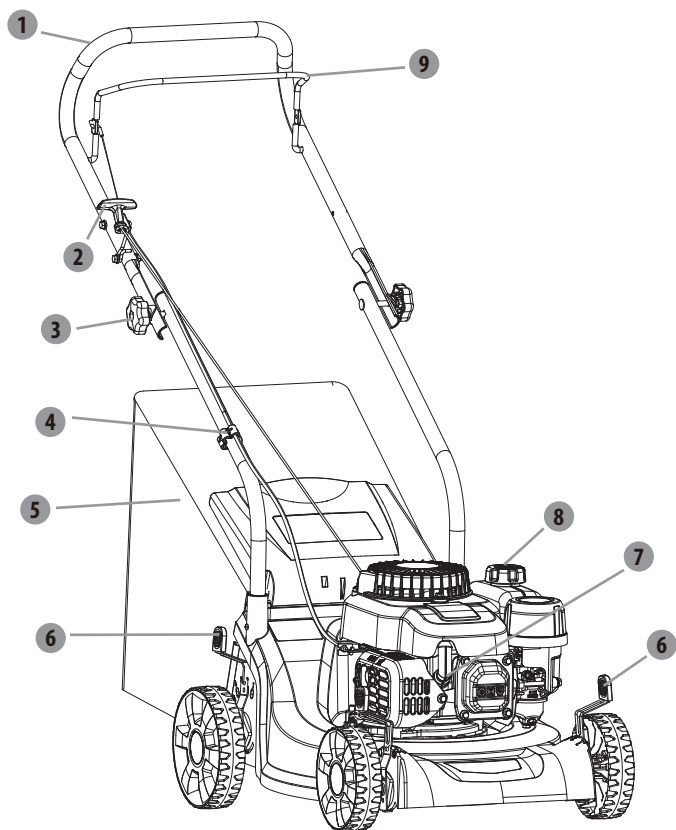


**WARNING:** Do not touch rotating blade.



**WARNING:** Refuel in a well-ventilated area with the engine stopped.

### 3. PARTS DESCRIPTION



- 1 Upper handle
- 2 Starter handle
- 3 Locking knob
- 4 Cable clamp
- 5 Grass catcher
- 6 Height adjusting lever
- 7 Spark Plug
- 8 Fuel cap
- 9 Brake control handle

### 4. TECHNICAL DATA

Model	DYM1851EP
Engine type	NP 130 (4-stroke)
Self-propelled	No
Engine displacement	132 cm <sup>3</sup>
Nominal power	2.1kW
Rated speed	3000 min <sup>-1</sup>
Spark brand	Torch/LG
Spark model	F5RTC
Cutting width	40 cm
Blade type	DAYE 263001825
Blade tightening torque	44~46N.m
Oil tank capacity	400 cm <sup>3</sup>
Fuel tank capacity	750 cm <sup>3</sup>
Fuel type	95 unleaded (Europe - US) 92 unleaded (Russia)
Grass catcher capacity	50L
Gross weight	19.6kg
Net weight	16.2kg
Height adjustment	30~75mm,5adjustment
Measured sound pressure level at operator's position	80.1dB (A) k=3 dB (A)
Measured sound power level	91.3dB (A) k= 1.86dB (A)
Guaranteed sound Power level	96dB(A)
Vibration	5.08m/s <sup>2</sup> k=1.5 m/s <sup>2</sup>

## 5. TROUBLESHOOTING

**In you encounter some problems with this tool, please follow these solutions. If you cannot resolve your problem, please contact our service agent.**

1. Engine does not start:
  - Fill tank with fuel.
  - Clean air cleaner element.
  - Tighten spark plug.
  - Install spark plug wire on spark plug.
  - Set gap between electrodes (customer service center).
  - Install new, correctly gapped plug.
  - Remove air cleaner element and pull starter rope continuously until carburetor clears itself and install air cleaner element.
  - Carburetor malfunction, carburetor adjustments can only be done by authorized personnel (customer service center).
  - Spark plug malfunction, spark plug connector malfunction can only be done by authorized personnel, please contact customer service center or BSS authorized service dealer for service.
2. Engine difficult to start or loses power:
  - Drain fuel and clean tank. Fill tank with clean, fresh fuel.
  - Clean or replace fuel tank cap.
  - Clean air cleaner element.
3. Engine operates erratically:
  - Install new, correctly gapped plug.
  - Set gap between electrodes (customer service center).
  - Clean air cleaner element.
4. Engine idles poorly:
  - Clean air cleaner element.
  - Remove debris from slots.
  - Remove debris from cooling fins and air passages.
5. Engine skips at high speed:
  - Set gap between electrodes (customer service center).
6. Engine overheats:
  - Remove any debris from slots in shroud, blower housing, air passages.
7. Mower vibrates abnormally:
  - Tighten blade.
  - Balance blade.
8. White smoke appears in the exhaust port when starting the machine:
  - It is caused by the burning of the oil that moves into the cylinder. It will be normal when the machine continues to operate for about three minutes

## 6. WARRANTY

**IMPORTANT! PLEASE READ THIS MANUAL BEFORE USING THIS PRODUCT, FOLLOW THE BASIC SAFETY WARNINGS WITHIN, AND KEEP IT CAREFULLY.**

As soon as you open the packaging, we recommend that you check to ensure that all elements required for assembly of the product have been included, in order to do this, please refer to page 2 of this manual.

If the product is damaged or has some defects, please do not use it, and bring it back to the nearest store.

This product is intended for outdoor use only, and must not be used inside a building under any circumstances.

This product can be placed inside a building only after having rested for two hours after the last use. We thank you for your business and hope that you will be totally satisfied upon using our product. We will be happy to receive all of your remarks on our online store web site.

### Warranty

The products are covered with a warranty of 2 years starting from the date of purchase. This warranty covers all manufacturing or material defects.

In the event of a breakdown, please refer first to the troubleshooting page (problems and solutions) in the brochure; if the problem persists, please check with the nearest store.

Your store shall spare no effort in resolving the issue.

Repairs and change of parts do not extend the duration of the initial warranty.

Breakdowns resulting from normal wear and tear or from improper use of the product are not covered by the warranty. This includes, among others, the switches, the safety circuit breaker and the motors, in case of wear.

Please note that there are specific warranty terms for certain countries.

In case of doubt, please check with your point of sale.

For claims relating to the the warranty to be taken into account, the following is required:

- Providing proof of purchase
  - That no repairs and/or change of parts have been performed by a third party.
  - That the issue is not a matter of normal wear and tear.
  - That required maintenance and repair works have been performed correctly.
  - That no deterioration has taken place as a result of incorrect setting of the carburettor
  - That there has been no forcing, improper handling, unauthorised use, or accidents
  - That no deterioration has taken place due to overheating, resulting from clogging of the ventilator block.
  - That no work has been done on the product by an unskilled person, and no incorrect repairs have been attempted.
  - That the tool has not been used improperly (overloading the tool, or use of non-approved accessories).
  - That no damage has resulted from external causes, or foreign bodies such as sand or stones.
  - That no damage has resulted from non-compliance with safety recommendations and use instructions.
- The product must be used under normal usage circumstances, and for non-professional purposes. Therefore, excluded from this warranty are products used by landscaping companies, local authorities, as well as companies offering paid rentals or free loaning of equipment.


## 7. MAINTENANCE, STORAGE AND TRANSPORTATION

Before and after each use, check the product and accessories for wear and damage. If required, exchange them for new ones as described in this instruction manual. Observe the technical requirements. Check the level of the fuel and engine oil before each use, add the fuel and the engine oil if it is under the low lever.

Please refer to the B&S operator's manual for the maintenance of the engine parts.

 **WARNING!** Wear protective gloves when working on the cutting device and close to it! Use proper tools to remove debris! Never use your bare hands!

 **WARNING!** Always use original spare parts for replacement. Do not attach any other type of cutting device!

 **WARNING!** The replacement of the cutting device should be done by an experienced user! Rework or sharpening blades is not recommended unless it is done by a repair service or a similarly qualified specialist!

1. Keep the deck and cutting device clean and free of debris. Remove clippings from the discharge chute.
2. Check all nuts and bolts periodically for tightness before operation. After prolonged use, especially in sandy soil conditions, the cutting device will become worn and lose some of the original shape. The cutting efficiency will be reduced and the cutting device should be replaced.
3. Keep the cutting device sharp to ensure a good cutting performance. Replace a worn or damaged cutting device with a new one of the same type or have it sharpened by a qualified specialist.
4. Replace the cutting device with a new one of the same type.
5. Lubricate the cutting device after each use to prolong the life span of cutting device and product. Apply light machine oil along the edge of the cutting device.
6. Inspect the grass catcher before each use. Do not use it if you find any damage.
7. Clean the grass catcher after operation using water and mild soap.
8. Let the grass catcher dry thoroughly before storing to avoid mildew.
9. Check the performance of the wires before each use. Ask a qualified specialist to adjust it if necessary.

### Storage:

The following steps should be taken to prepare lawn mower for storage.

1. Empty the tank if you are not going to use the product for an extended period of time (more than 30 days) and before storing it for the winter.
  - a) Empty the petrol tank with a suction pump.

## 7. MAINTENANCE, STORAGE AND TRANSPORTATION

 **CAUTION!** Do not drain the petrol in closed rooms, in close proximity of open fire, etc. Do not smoke! Petrol fumes can cause explosion or fire.

- b) Start the engine and let it run until it has used up all remaining petrol.
- c) Disconnect the spark plug.
2. Clean and grease the lawnmower carefully.
3. Slightly grease the cutter to avoid corrosion.
4. Store the lawnmower in a dry, clean and frost-protected place, out of reach of unauthorized persons.
5. Always store the product in a place that is inaccessible to children. The ideal storage temperature is between 10°C and 30°C.

 **CAUTION!** The engine must have completely cooled down before storing the lawnmower.

 **NOTE:**

- When storing any type of power equipment in an unventilated or material storage shed, care should be taken to rust-proof the equipment. We recommend using the original package for storage or covering the product with a suitable cloth or enclosure to protect it against dust.
- Be careful not to bend or kink cables.

### Transportation

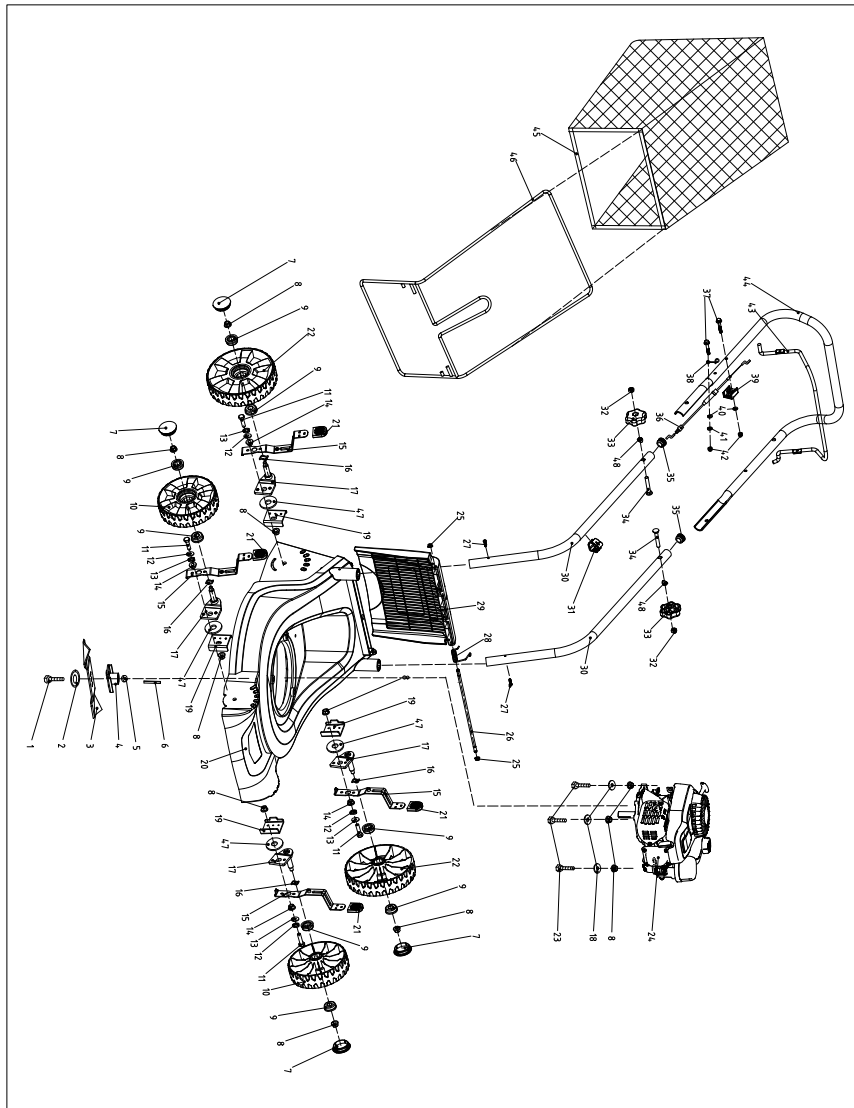
1. Switch the product off and allow the engine to cool down.
2. Disconnect the spark plug wire and empty the fuel tank according to the instructions in the engine manual. If not, the fuel could flow down and soiled the floor of the vehicles.
3. Attach transportation guards, if applicable.
4. Always transport the product by its handle.
5. Ensure not to bend or damage the cutter when pushing the lawnmower over obstacles.
6. Protect the product from any heavy impact or strong vibrations which may occur during transportation in vehicles.
7. Secure the product to prevent it from slipping or falling over, damage and injury.

## 8. DISPOSAL AND RECYCLING

Be environmentally friendly. Return the tool, accessories and packaging to a recycling centre when you have finished with them. Do not put it in the domestic waste.

## 9. EXPLODED VIEW WITH PARTS LIST

DYM1851EP



Original instructions  
196

EN

## 9. EXPLODED VIEW WITH PARTS LIST

Parts list

No.	Name	No.	Name
1	blade locking bolt	25	M6 All metal hexagon flange locking nut
2	dish washer	26	long rod
3	400mm blade	27	ST4.8*19 Self-tapping screw
4	blade support	28	torsion spring
5	blade support bushing	29	rear cover plate
6	flat key	30	extension handle
7	wheel cover	31	cable clamp
8	M8 hexagon flange locking nut	32	M8 hexagon nut
9	axle sheath	33	lower handle knob
10	wheel	34	M8*50mm semicircular neck bolt
11	M8*35 hexagon bolt	35	tube plug
12	spring washer	36	flameout cable assembly
13	flat washer	37	M6*35 hexagon flange bolt
14	axle sheath	38	cable hook
15	handle	39	cable fixed block
16	wave washer	40	spring washer
17	wheel axle assembly	41	flat washer
18	big washer	42	M6*13 cap nut
19	pressing plate	43	flameout rod
20	machine shell	44	upper handle
21	handle sheath	45	grass catcher
22	wheel	46	grass catcher bracket
23	M8*50 hexagon bolt	47	washer
24	gasoline engine assembly	48	curved gasket

Original instructions  
197

EN



EU/EC Declaration of conformity  
Déclaration UE/CE de conformité  
DECLARACIÓN CE / UE DE CONFORMIDAD  
Declaração CE/UE de conformidade



ENFR  
ESPT

Product Model/Modèle du produit/Modelo de producto/Modelo do produto

846586

Name and address of the manufacturer or his authorised representative(Nom et adresse du fabricant ou de son mandataire/Nombre y dirección del fabricante o de su representante autorizado/Nome e endereço do fabricante ou do seu representante autorizado)

ADEO Services, 135 Rue Sadi Carnot - CS 00001 59790 RONCHIN - France

This declaration of conformity is issued under the sole responsibility of the manufacturer(La présente déclaration de conformité est établie sous la seule responsabilité du fabricant/La presente declaração de conformidade se expide bajo la exclusiva responsabilidad del fabricante/Esta declaração de conformidade é emitida sob a exclusiva responsabilidade do fabricante.)

Object of the declaration/Objet de la déclaration/Objeto de la declaración/Objeto da declaração

Product Type - Description/Type de produit - Description/Tipo de producto [Tipo de producto]

GASOLINE LAWN MOWER 132CC

Product Reference/ Référence produit/Referencia del producto/Referência do produto

846586 - EAN Code: 3276000429838  
Industrial Type Design Reference: DYM1851EP

Product Brand/Marque Produit/Producto de marca/Marca do produto

NO NAME

Serial number coding or batch number/Codification du numéro de série ou de lot/Codificação del número de serie/Codificação do número de série

SN SSSSSS XX DMMYY n PPPPP (SN: Serial No., SSSSS : Supplier code, XX : Production line ID, DMMYY: Production date, nn: number of version of product, PPPPP : Incremental number)

The object of the declaration described above is in conformity with the relevant Union harmonization legislation(L'objet de la déclaration décrit ci-dessus est conforme à la législation d'harmonisation de l'Union applicable/El objeto de la declaración descrita anteriormente es conforme a la legislación de armonización pertinente de la Unión/O objeto da declaração acima descrita está em conformidade com a legislação de harmonização da União aplicável.)

References to the relevant harmonised standards used or references to the specifications in relation to which conformity is declared(Références des normes harmonisées pertinentes appliquées ou des spécifications par rapport auxquelles la conformité est déclarée/Referencias a las normas armonizadas pertinentes utilizadas, o referencias a las especificaciones respecto a las cuales se declara la conformidad/Referências às normas harmonizadas pertinentes utilizadas ou referências às especificações para as quais a conformidade é declarada)

When applicable, the name and number of notified body number(Le cas échéant, le nom et le numéro de l'organisme notifié/Cuando corresponda \* el nombre y número de laboratorio notificado que haya emitido la certificación y la referencia al documento/Quando aplicável \* o nome e número do laboratório notificado que emitiu a certificação e a referência ao documento)

2006\_42\_EC\_MACHINE  
machinery[Machines/máquinas]

EN ISO 5395-1:2013/A1:2018  
EN ISO 5395-2:2013/A2:2017

2014\_30\_EU EMC  
Electromagnetic compatibility/compatibilité électromagnétique/compatibilidad electromagnética [compatibilidade eletromagnética]

EN ISO 14982:2009

2011\_65\_EU RoHS  
Restriction of hazardous substances in electrical products/Restriction des substances dangereuses dans les produits électriques/Restrição de substâncias perigosas em equipamentos elétricos

RoHS Directive(EU)2015/863 amending Directive 2011/65/EU  
IEC 62321-3-1:2013  
IEC 62321-4:2013+A1:2017  
IEC 62321-6:2013  
IEC 62321-6:2015  
IEC 62321-7-1:2015  
IEC 62321-7-2:2017  
IEC 62321-8:2017  
EN IEC 63000:2018

2000\_14\_EC\_NOISE  
noise emission[émissions sonores/emissões sonoras]

Directive 2000/14/EC Annex VI and Directive 2005/88/EC  
EN ISO 3744:1995  
ISO 11094:1991

Notified body(NB No.0036):  
TUV SUD Industrie Service GmbH  
Westendstraße 199 80686 München  
Measured Sound power level: 91.3 dB(A)  
Guaranteed Sound power level:96 dB(A)

Compiled, signed by and on behalf of/Compilé, signé par et au nom de/Compilado, firmado por y en nombre de/Compilado, assinado por e em nome de

Eric LEMONNE  
International Project Quality Leader

ADEO Services SAS  
135 Rue Sadi Carnot  
CS 00001  
59790 RONCHIN

Place and date of issue/Date et lieu d'établissement/Lugar y fecha de expedición/Local e data de emissão

Ronchin France  
19/01/2024



DICHIAZIONE DI CONFORMITÀ CE / UE  
DEKLARACJA ZGODNOŚCI WE / UE  
ΔΗΛΩΣΗ ΣΥΜΜΟΡΦΩΣΗΣ ΕΚ / ΕΕ  
DECLARAȚIA CE / UE DE CONFORMITATE



ITPO  
GRPO

Modello di prodotto/prodotto/Model produktu/produkt/Μοντέλο προϊόντος/Πρόϊόν/Modelul de produs/produsul

846586

La presente dichiarazione di conformità è rilasciata sotto la responsabilità esclusiva del fabbricante(Niniejsza deklaracja zgodności wydana zostaje na wyłączną odpowiedzialność producenta./Επιμαυρία και έκδοση του κατασκευαστή ή του εξουσιοδοτημένου αντιπροσώπου του./Denunțarea și adresa producătorului sau a reprezentantului său autorizat)

ADEO Services, 135 Rue Sadi Carnot - CS 00001 59790 RONCHIN - France

La presente dichiarazione di conformità è rilasciata sotto la responsabilità esclusiva del fabbricante(Niniejsza deklaracja zgodności wydana zostaje na wyłączną odpowiedzialność producenta./Η παρούσα δήλωση συμμόρφωσης εκδίδεται με αποκλειστική ευθύνη του κατασκευαστή./Declarația de conformitate este emisă pe răspunderea exclusivă a producătorului)

Objeto de la declaración/Przedmiot deklaracji/Στόχος της δήλωσης/Obiectul declarației

Tipologia di prodotto/Rodzaj produktu/Τύπος Προϊόντος/Tip produs

GASOLINE LAWN MOWER 132CC

Riferimento del prodotto/Referențe produsului/Αναφορά προϊόντος/Referința produsul

846586 - EAN Code: 3276000429838  
Industrial Type Design Reference: DYM1851EP

Marca del prodotto/Marka produktu/Μάρκα προϊόντος/Marcă a produsului

NO NAME

Codice del numero di serie/Kodowanie numeru serijnego/Κωδικοποίηση σειριακού αριθμού/Cod de numere de serie

SN SSSSSS XX DMMYY n PPPPP (SN: Serial No., SSSSS : Supplier code, XX : Production line ID, DMMYY: Production date, nn: number of version of product, PPPPP : Incremental number)

L'oggetto della dichiarazione di cui sopra è conforme alla pertinente normativa di armonizzazione dell'Unione(Wymieniony powyżej przedmiot niniejszej deklaracji jest zgodny z odnośnymi wymaganiami unijnego prawodawstwa harmonizacyjnego/Ο στόχος της δήλωσης που περιγράφεται παραπάνω είναι σύμφωνος με τη σχετική ενωσιακή νομοθεσία ενάρμοζησης/Obiectul declarației deșcrie mai sus este în conformitate cu legislația comunitară relevantă de armonizare a Uniunii)

Riferimenti alle pertinenti norme armonizzate utilizzate o alle specifiche in relazione alle quali è dichiarata la conformità(Odnoszenia do odnośnych norm harmonizacyjnych, które zastosowano, lub do specyfikacji, w odniesieniu do których deklarowana jest zgodność./Μεταί των σχετικών εναρμοζούμενων προτύπων που χρησιμοποιούνται ή για τα οποία προδιαγράφονται σε σχέση με τις οποίες δηλώνεται η συμμόρφωση./Referințele la standarde/or norme armonizate relevante folosite sau referințele specificatorilor în legătură cu care se declară conformitatea.)

Dove applicabile \* il nome e il numero del laboratorio notificato che ha rilasciato la certificazione e il riferimento al documento(W stosownych przypadkach \* podana nazwa i numer laboratorium, które wydało certyfikat oraz odwołanie do dokumentu/Όπου σχετά \* το γνωστοποιημένο όνομα και τον αριθμό του εργαστηρίου που έδωσε την πιστοποίηση και την αναφορά στο έγγραφο/Unde este cazul \* numele și numărul de laborator notificat care a eliberat certificarea și trimiterea la document)

2006\_42\_EC\_MACHINE  
machine[maszyn] σχετικά με τα μηχανήματα[echipamentele tehnice]

EN ISO 5395-1:2013/A1:2018  
EN ISO 5395-2:2013/A2:2017

2014\_30\_EU EMC  
compatibilità elettromagnetica/kompatybilność elektromagnetyczna [ηλεκτρομαγνητική συμβατότητα/compatibilitatea electromagnetica]

EN ISO 14982:2009

2011\_65\_EU RoHS  
Restriction of substance pericolose nelle apparecchiature elettriche/Organizarea limitării conținutului de substanțe electrotecnice/Restricționarea substanțelor periculoase în echipamentele electrice

RoHS Directive(EU)2015/863 amending Directive 2011/65/EU  
IEC 62321-3-1:2013  
IEC 62321-4:2013+A1:2017  
IEC 62321-6:2013  
IEC 62321-6:2015  
IEC 62321-7-1:2015  
IEC 62321-7-2:2017  
IEC 62321-8:2017  
EN IEC 63000:2018

2000\_14\_EC\_NOISE  
emissione acustica/emisiaja acustica/značajkovisnost i izmjerna jedinica acustica

Directive 2000/14/EC Annex VI and Directive 2005/88/EC  
EN ISO 3744:1995  
ISO 11094:1991

Notified body(NB No.0036):  
TUV SUD Industrie Service GmbH  
Westendstraße 199 80686 München  
Measured Sound power level: 91.3 dB(A)  
Guaranteed Sound power level:96 dB(A)

Compilato, firmato in vece e per conto del/Compilato, podpisano w imieniu/Συμπίληση, υπογραφή για και εξ'ονόματός/Compilat, semnat de și în numele

Eric LEMONNE  
International Project Quality Leader

ADEO Services SAS  
135 Rue Sadi Carnot  
CS 00001  
59790 RONCHIN

Lugoo e data del rilascio/Data wydania i miejsca/Τόπος και ημερομηνία έκδοσης]

Ronchin France  
19/01/2024