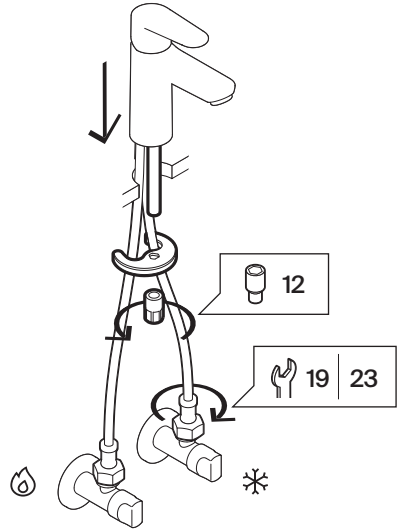
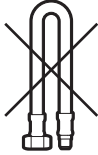
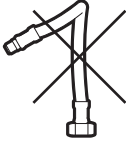


RODAS





P

bar



10 Max



T

°C



80 Max



Q

L/min

(3 bar)



C2 Economie d'eau

N/A

5

6

-

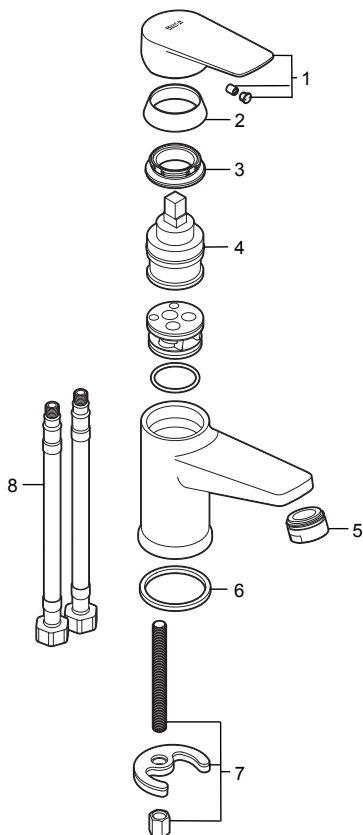
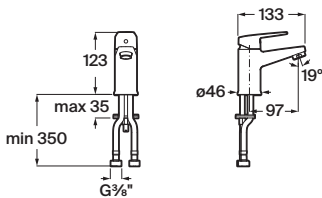
100%

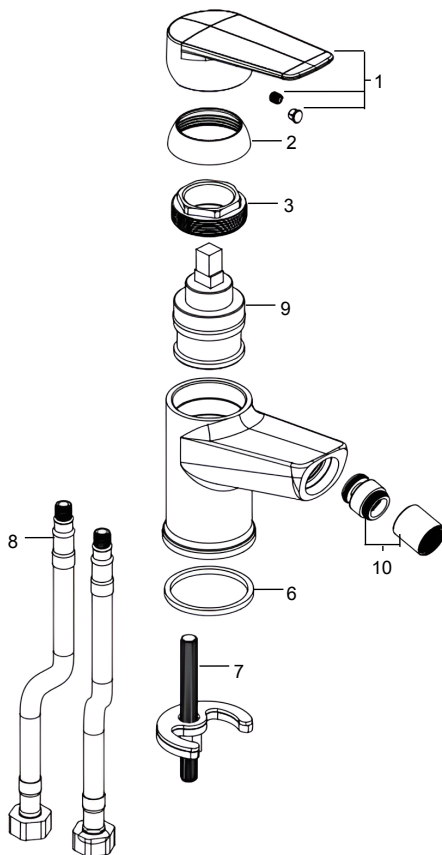
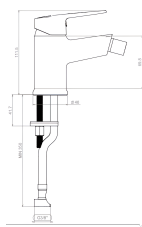
5

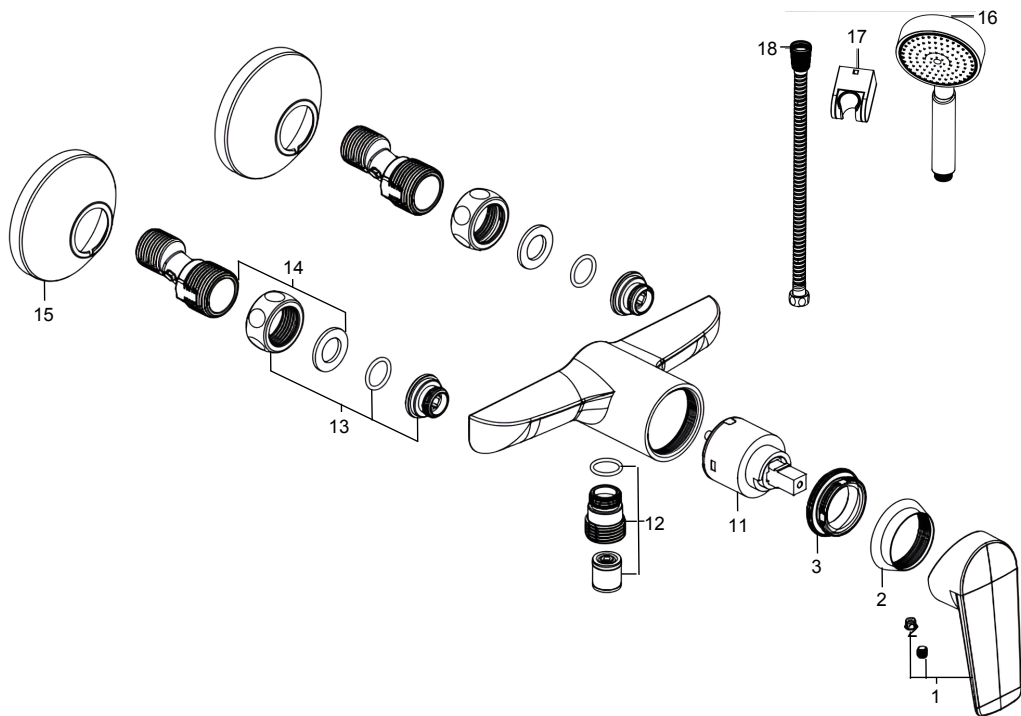
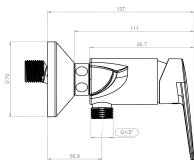
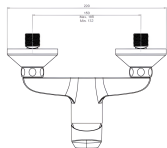
6 ÷ 9

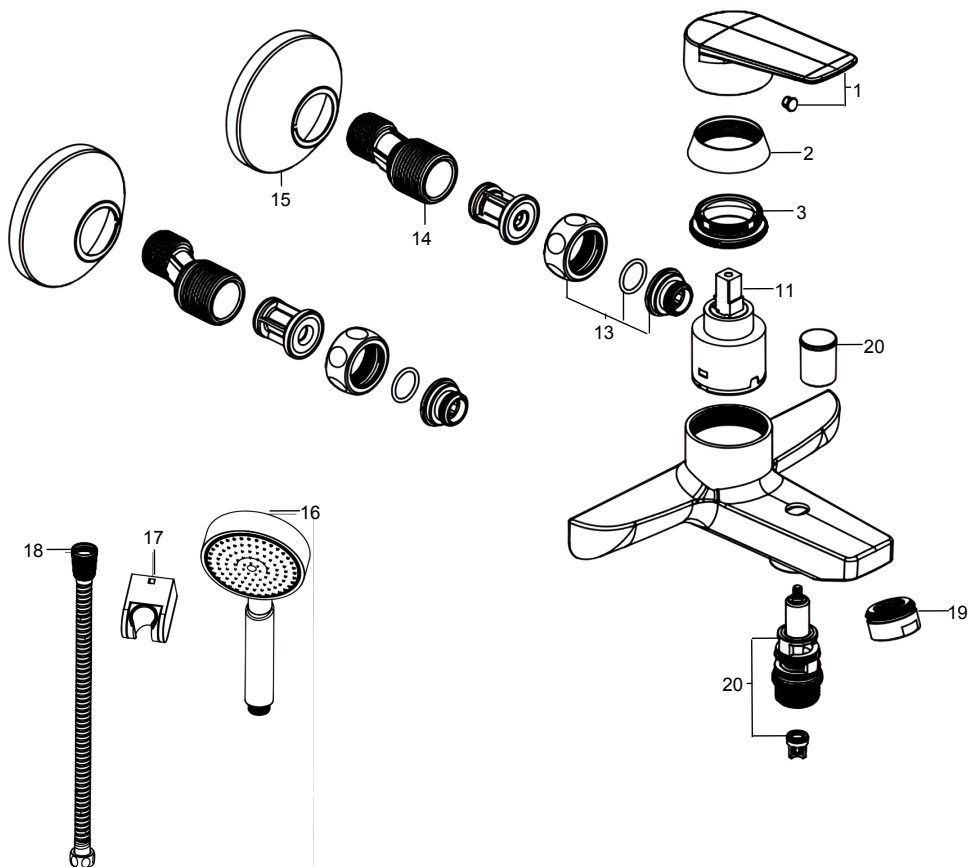
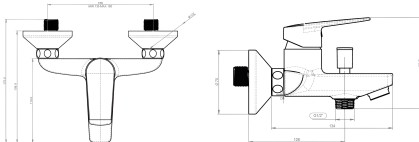
12

20









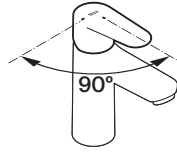
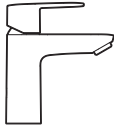
-
- | | |
|------------------------|-------------------------|
| 1- AG02854..R | 13- AG02033..R (2 pcs.) |
| 2- AG02024..R | 14- AG0203400R (2 pcs.) |
| 3- AG0202500R | 15- AG02058..R (2 pcs.) |
| 4- AG0285500R | 16- AG02947..R |
| 5- AG01824..R | 17- AG02770..R |
| 6- AG0285600R | 18- AG02771..R |
| 7- AG0251200R | 19- AG01807..R |
| 8- AG0119708R (2 pcs.) | 20- AG02043..R |
| 9- AG0205500R | |
| 10- AG00323..R | |
| 11- AG0202600R | |
| 12- AG02946..R | |





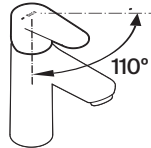
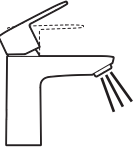
Cold Start

0%

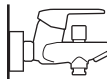
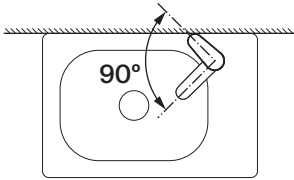


Mixer

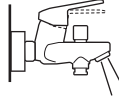
100%



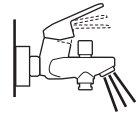
NF-C2



0%



C2
Economie d'eau



100%



HARD



SOFT

