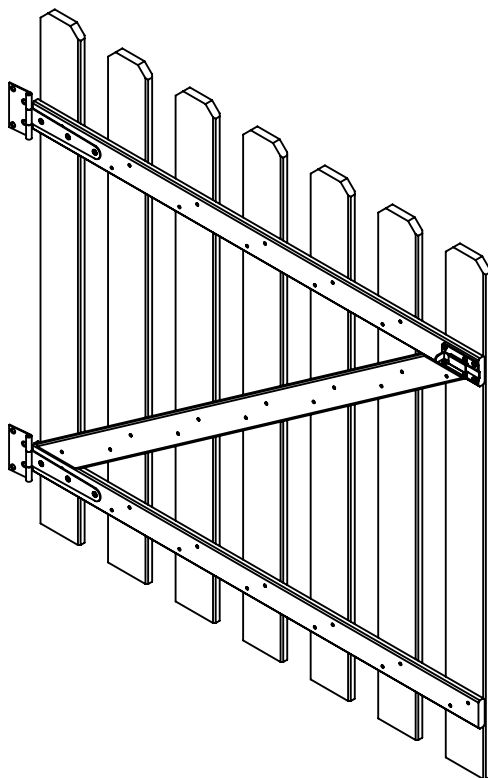
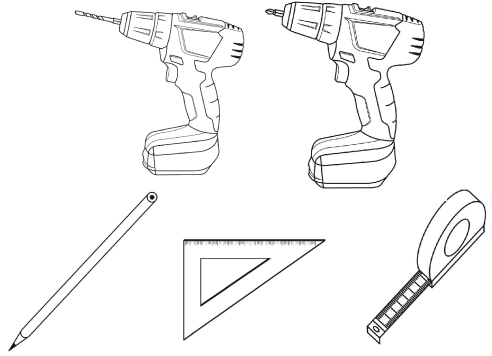


GATE





?

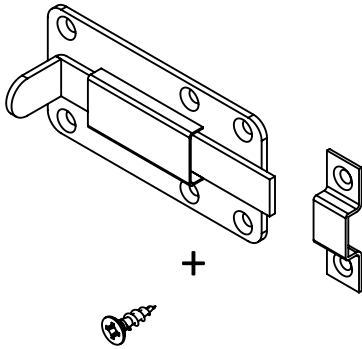


www.cerland.com
service.client@cerland.com

Blister, ref. 270

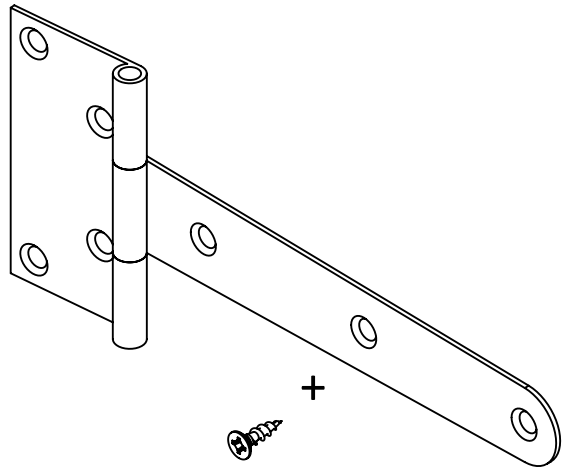
V01

latch (x1) + screws $\varnothing 3.5 \times 16 \text{mm}$ (x8)



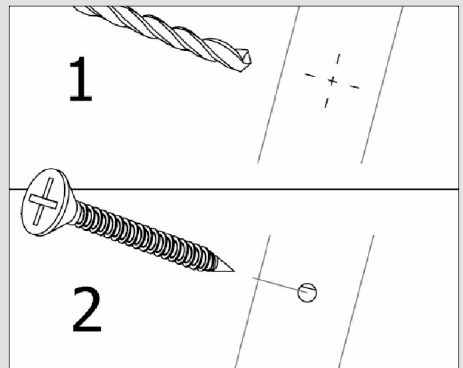
V02

hinges (x2) + screws $\varnothing 3.5 \times 16 \text{mm}$ (x14)

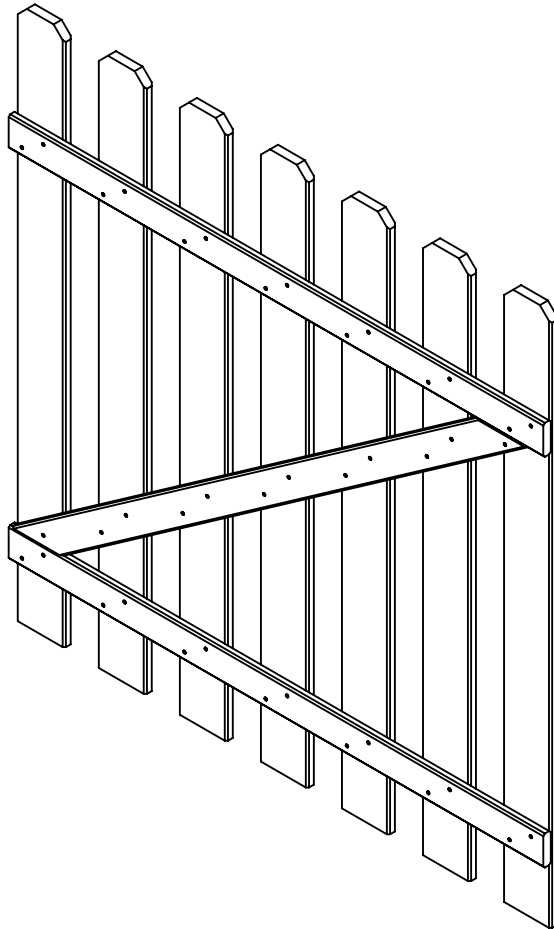


Pré-perçage recommandé / Pre-drilling recommended / Vorbohren empfohlen / Perforacion previa recomendada /
Preforatura consigliata

\varnothing Vis / \varnothing Screw / \varnothing schraube / \varnothing Tornillo / \varnothing Vite	\varnothing Percage / \varnothing Drilling / \varnothing Bohrung / \varnothing Perforacion / \varnothing Preforatura
$\varnothing 3,5$ (V01 & V02)	$\varnothing 2$

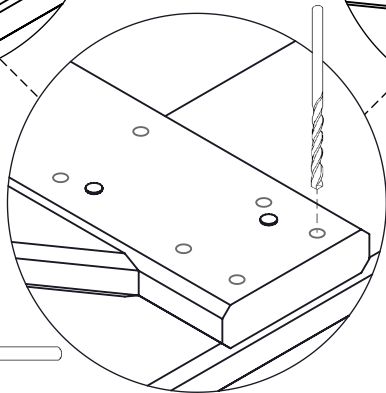
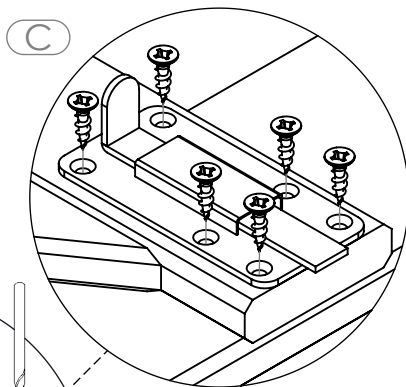
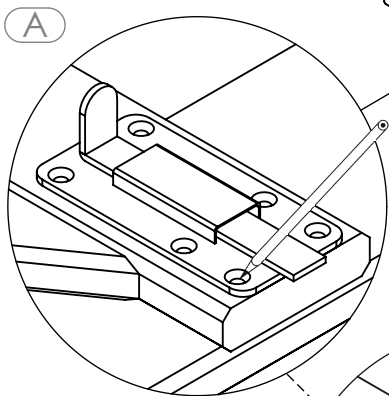
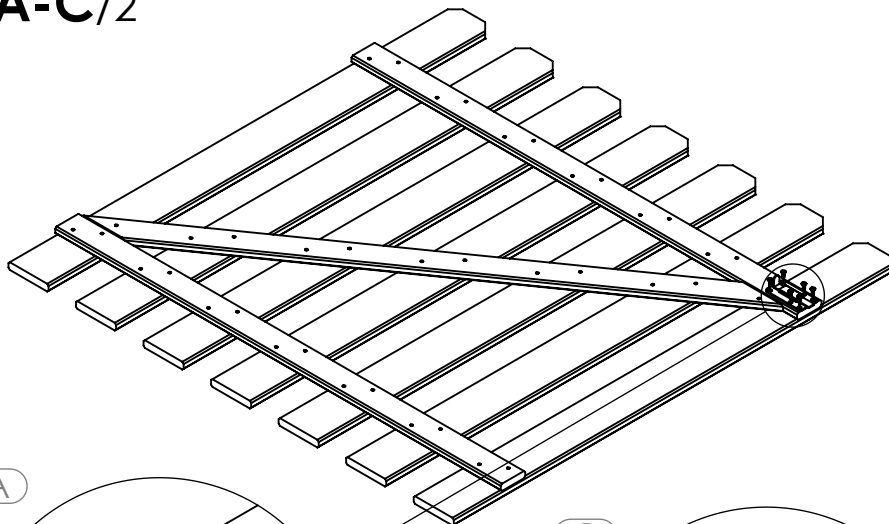


M01



x1

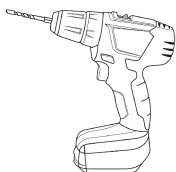
1A-C/2



(B)



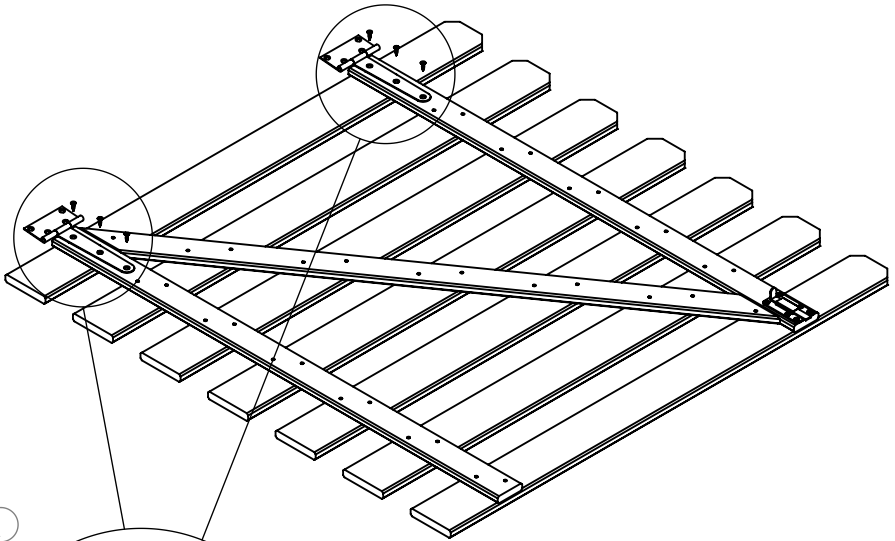
∅3mm 



x2

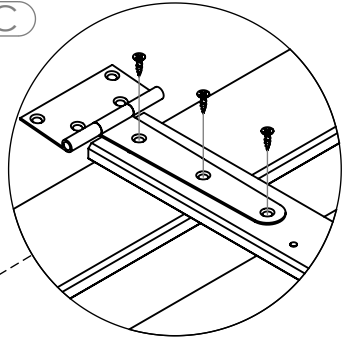
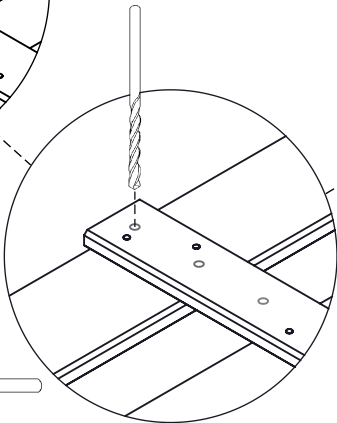
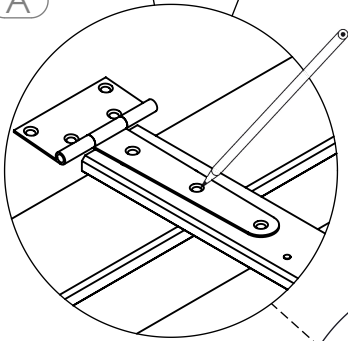
No.	Description	Qty
M01	Gate	1
V01	latch + screws ∅ 3.5x16mm (x6)	1

2A-C/2



A

C



x2

B

Ø 3mm



No.	Description	Qty
V02	hinges (x2) + screws Ø 3.5x16mm (x6)	1



www.cerland.com

