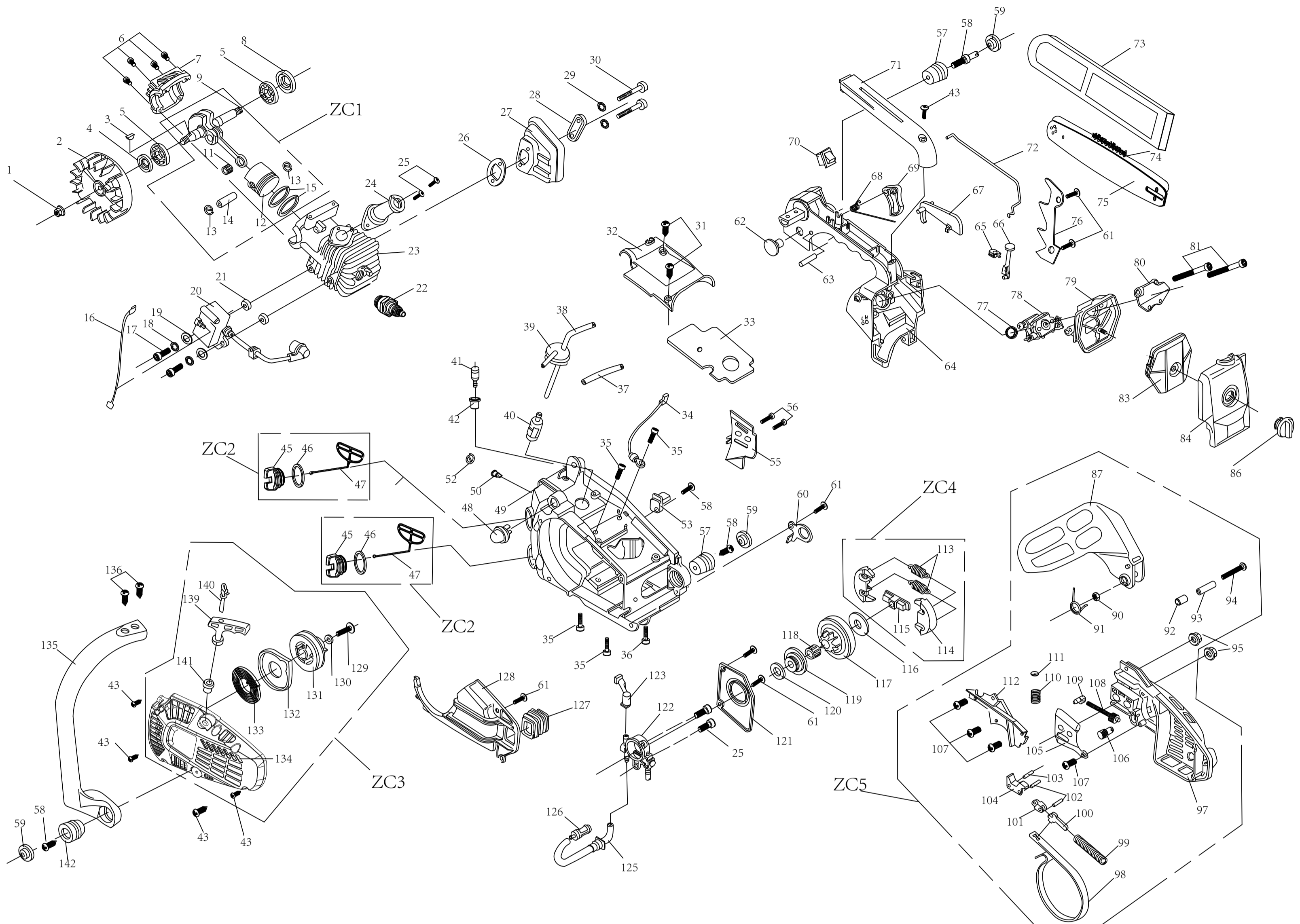


24859 - CN-25



CODE	DESCRIPTION	QTY.	CODE	DESCRIPTION	QTY.	CODE	DESCRIPTION	QTY.	CODE	DESCRIPTION	QTY.
1	Nut M8x1	1	41	Balancer assy	1	81	Screw M5x45	2	121	Oil pump cover	1
2	Flywheel	1	42	Balancer seat	1	82	Air filter sponge	1	122	Oil pump	1
3	Woodruff key 3x10	1	43	Screw ST3.9x16F	8	83	Air filter sponge cover	1	123	Oil pump pipe	1
4	Oil seal 12x22x5	1	44	Wood block	1	84	Air filter cover	1	124	Dust protector sponge	1
5	Bearing 6001/P5	2	45	Fuel & oil cap	2	85	Air filter Knob washer	1	125	Oil pipe	1
6	Screw M5x20	4	46	Fuel&oil cap washer	2	86	Air filter knob	1	126	Oil filter	1
7	Cylinder seat	1	47	Fuel & oil cap hanger	2	87	Front guard	1	127	Air intake tower	1
8	Oil seal 12x28x6	1	48	Primer pump	1	88	Heavy bob	1	128	Fan cover	1
9	Crankshaft	1	49	Fuel tank	1	89	Heavy bob spring	1	129	Screw ST4.8x14F	2
10	Washer	2	50	Breather value	1	90	Nut M5	1	130	Washer Φ5.2xΦ16x1	1
11	Piston needle bearing KBK081109	1	51	Breather value sponge	1	91	Brake recoil spring	1	131	Reel	1
12	Piston	1	52	Breather value clip	1	92	Front guard pin jacket	1	132	Start spring cover	1
13	Piston clip	2	53	Chain catcher	1	93	Front guard pin	1	133	Start spring	1
14	Piston pin	1	54	Sponge for cover	1	94	Screw M5x30	1	134	Start cover	1
15	Piston ring	1	55	Oil outlet Cover	1	95	Nut M8	1	135	Front handle	1
16	Leading wire	1	56	Screw ST4.2x12.5F	2	96	Screw M5x16	1	136	Screw ST4.8x16F	2
17	Screw M4x20	2	57	Damper	2	97	Clutch cover	1	137	Start spring seat	2
18	Spring washer	2	58	Damper screw	4	98	Clutch cover	1	138	Start pring	1
19	Plain washer	2	59	Damper cover	3	99	Brake spring	1	139	Start knob	1
20	Ignition coil	1	60	Hook	1	100	Brake arm	1	140	Rope	1
21	Ignition coil block	2	61	Screw ST3.9x12F	6	101	brake lever(sub)	1	141	Rope mouse	1
22	Spark plug	1	62	Cover	1	102	Needle P3x8.8	1	142	Damper	1
23	Cylinder	1	63	Pin Φ5x28	1	103	Needle P3x13.8	2	ZC1	Crankshaft&piston assy	1
24	Inlet pipe	1	64	Handle	1	104	brake lever (main)	1	ZC2	Fuel&oil cap assy	1
25	Screw M4x14	4	65	Choke rod damper	1	105	tensioned plate	1	ZC3	Starter assy	1
26	Muffler gasket	1	66	Choke rod	1	106	Tensioned driving gear	1	ZC4	Clutch assy	1
27	Muffler	1	67	Throttle interlock arm	1	107	Screw ST3.9x10F	1	ZC5	Brake assy	1
28	Muffler cover	1	68	Trigger spring	1	108	Tensioned bolt	4			
29	Spring washer	2	69	Trigger	1	109	Tension screw	1			
30	Screw M5x45	2	70	On-off switch	1	110	Brake stop spring	1			
31	Screw ST3.9x14F	2	71	Rear handle cover	1	111	Brake stop spring cover	1			
32	Top cover	1	72	Throttle rod	1	112	Brake spring cover	1			
33	Gasket	1	73	Bar cover	1	113	Clutch spring	1			
34	Ground wire	1	74	Saw chain	1	114	Clutch block	2			
35	Screw M5x18	4	75	Guide bar	1	115	Clutch bracket	2			
36	Screw M5x14	1	76	Spike bump	1	116	Clutch washer Φ8xΦ32x1.5	1			
37	Retuen pipe	1	77	Lining ring	1	117	Clutch drum	1			
38	Fuel pipe	1	78	Carburetor	1	118	Clutch needle bearing HK101313	1			
39	Fuel pipe seat	1	79	Air filter seat	1	119	Worm gear	1			
40	Fuel filter	1	80	Ait filter plate	1	120	Washer Φ10xΦ18x1.5	1			