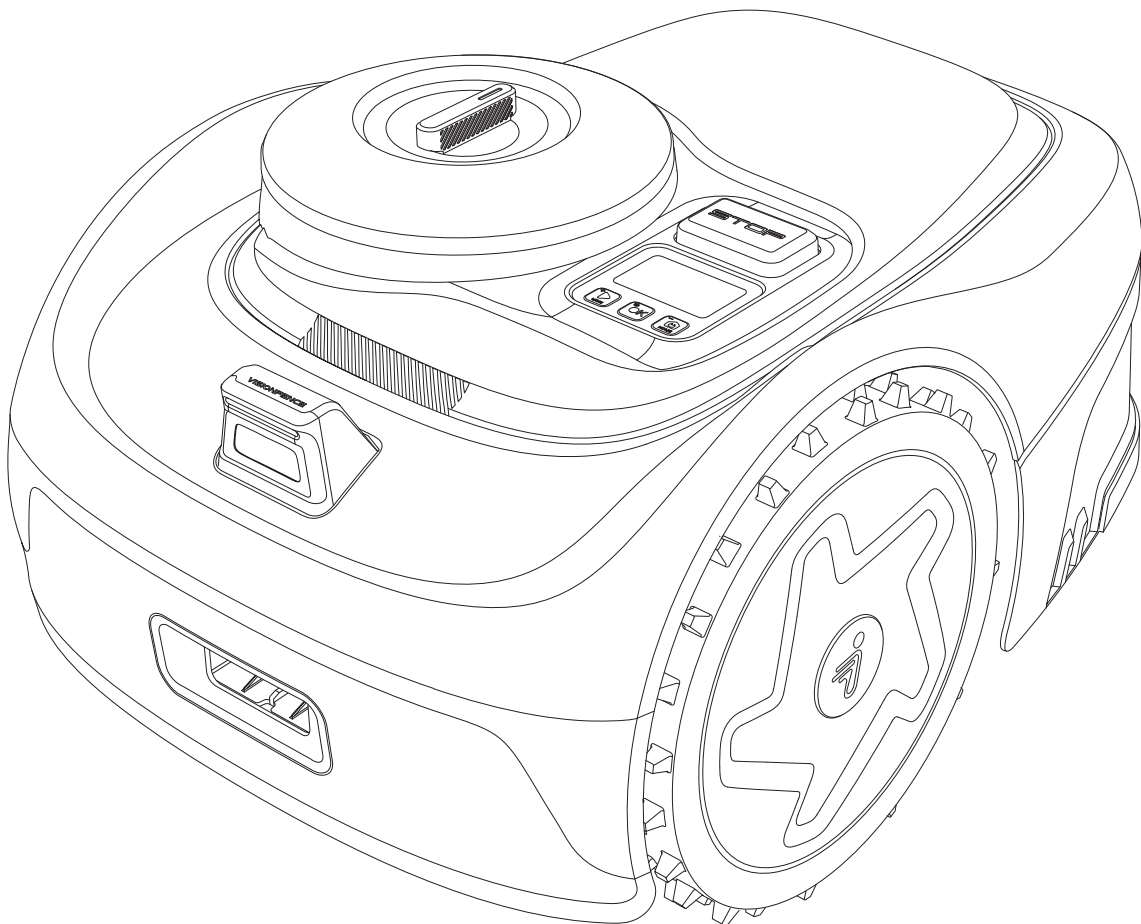


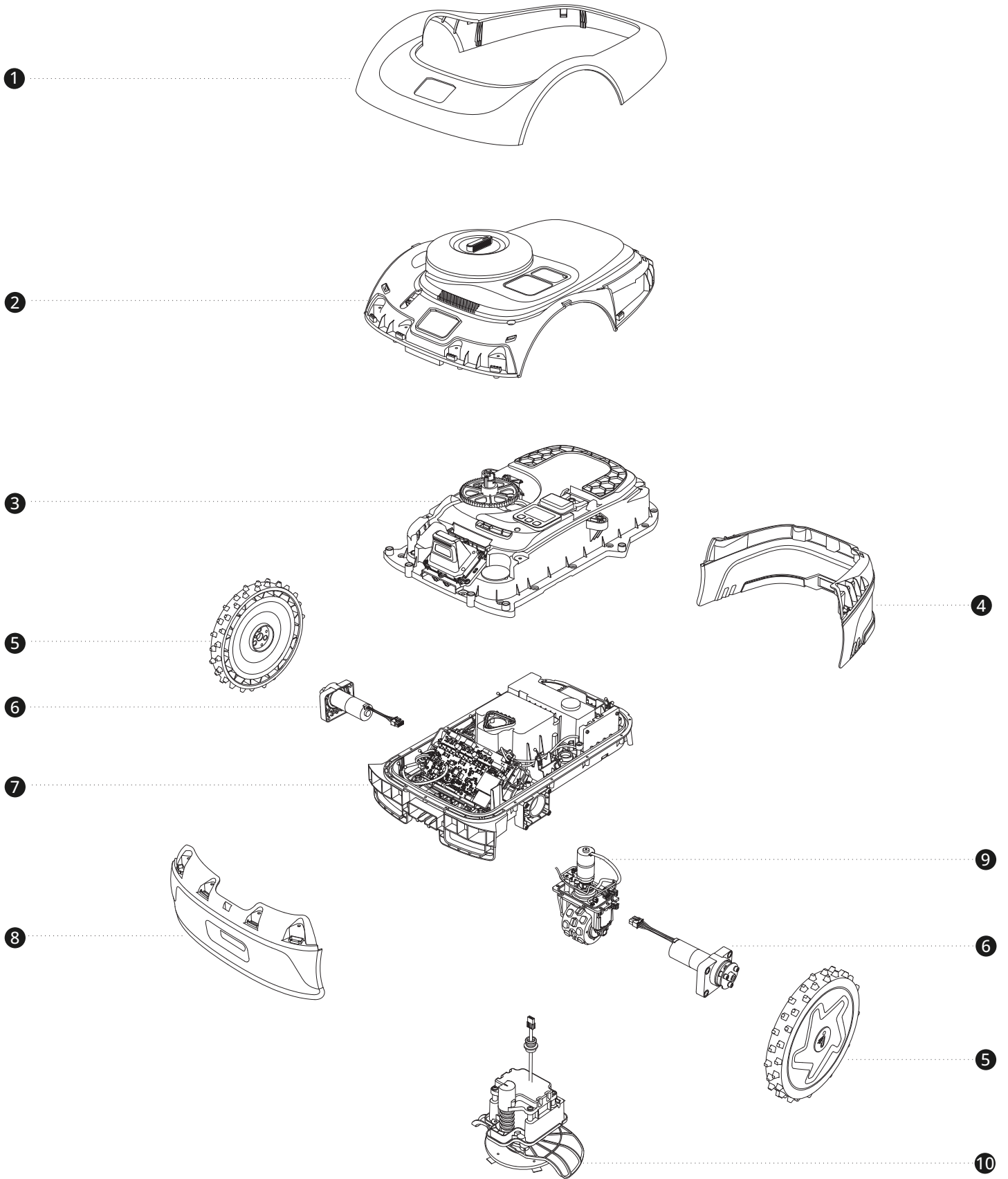
NAVIMOW

Spare Parts

Segway Navimow
i2 AWD Series



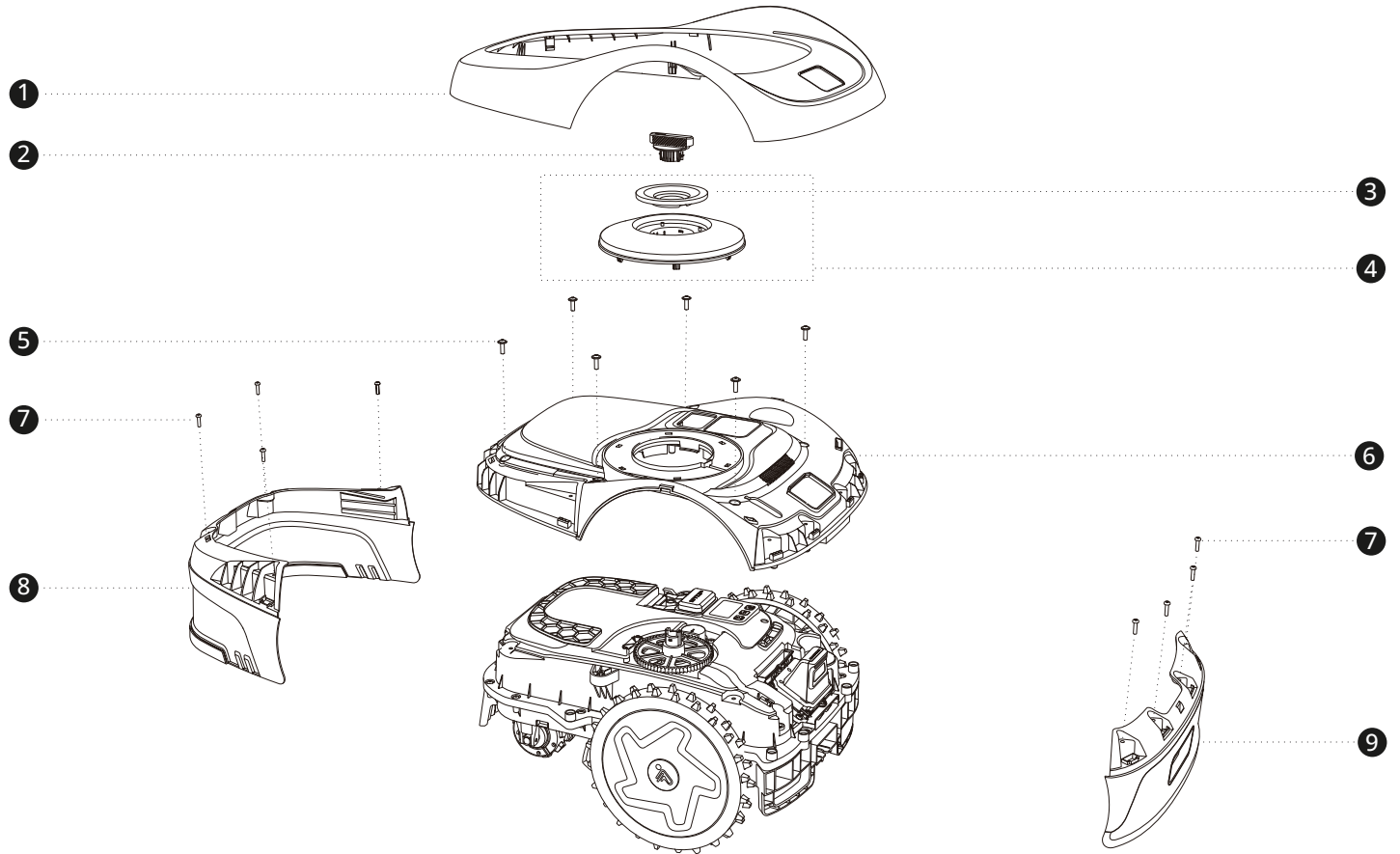
Overall View



Overall View

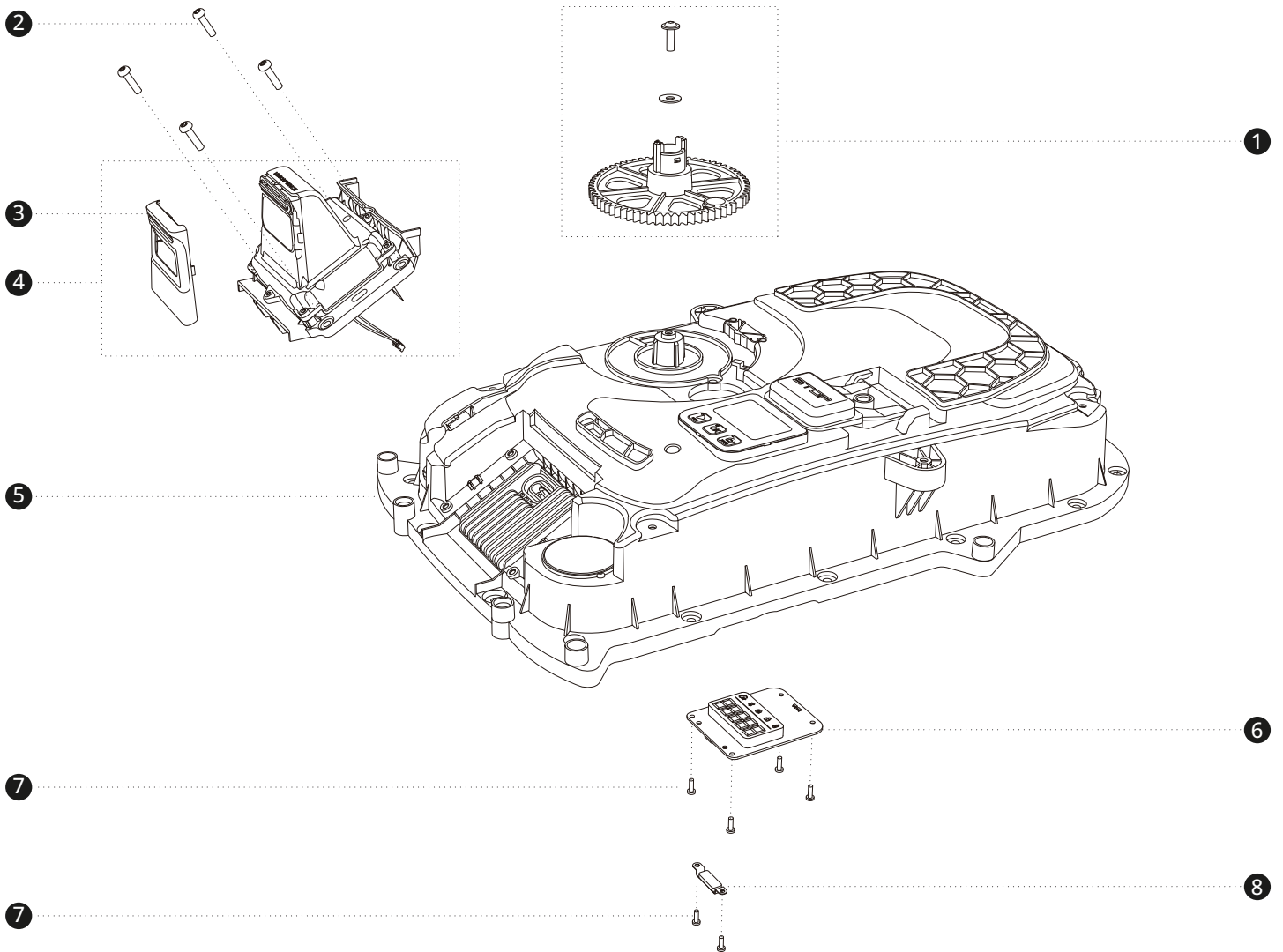
No.	Description	Quantity	Notes
①	Top Decoration Buckle Cover	1	
②	Decoration Cover Assembly	1	
③	Top Shell Assembly	1	
④	Rear Decoration Cover	1	
⑤	Off-road Wheel	2	
⑥	Traction Motor Module	2	
⑦	Chassis Assembly	1	
⑧	Front Decoration Cover	1	
⑨	Rear Wheel Assembly	1	
⑩	Mowing Assembly	1	

Decorative Cover Assembly



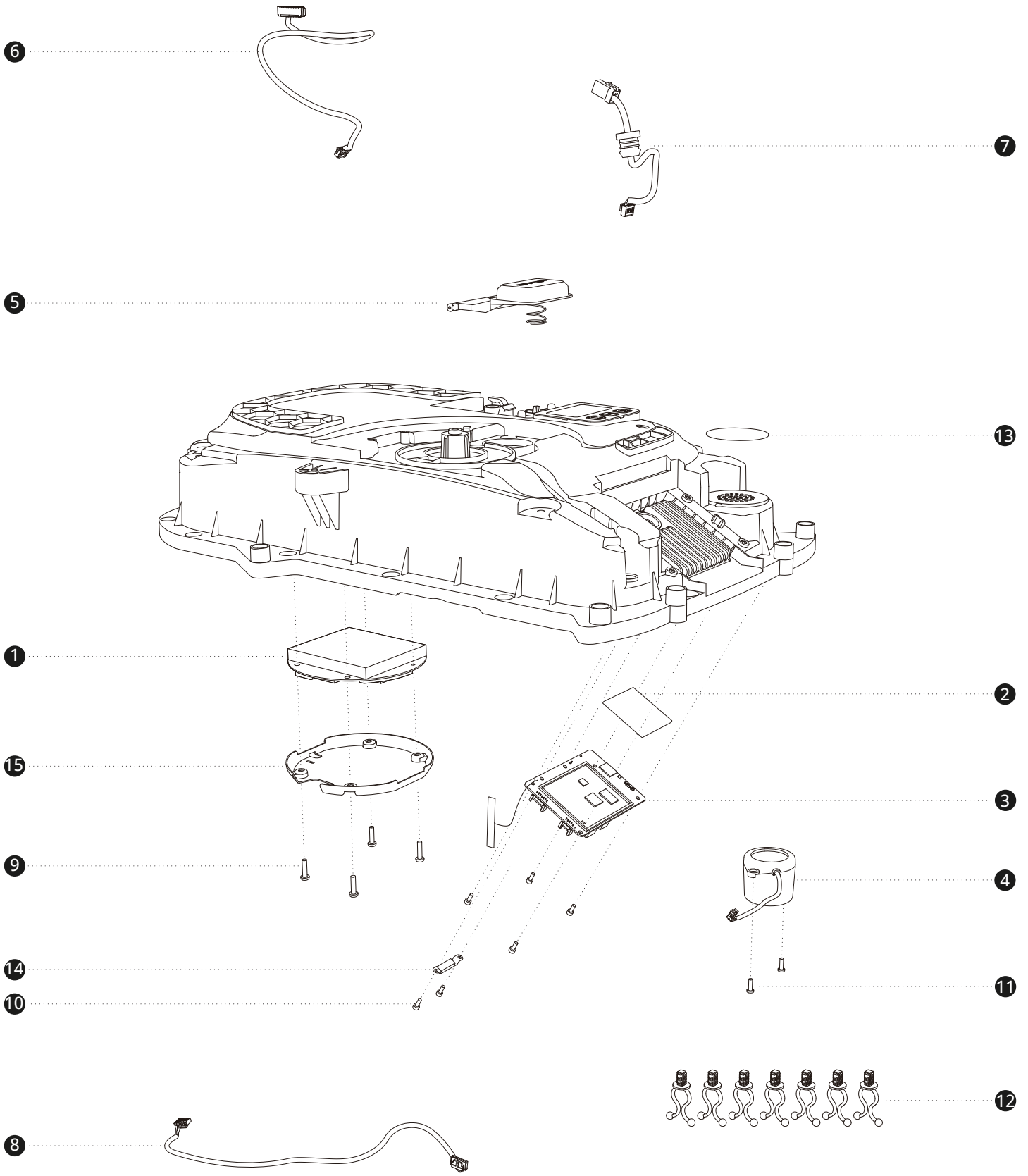
No.	PN	Description	Quantity	Notes
①	AB.12.07.00.0045	Top Decoration Buckle Cover	1	
②	AB.12.07.00.0058	Height Adjustment Knob	1	
③	AB.12.07.00.0076	Height Adjustment Dial EU-UK-CH-ANZ	1	
④	AB.12.07.00.0059	Ambient Light Assembly EU-UK-CH-ANZ	1	
⑤	AB.12.02.00.0153	Fastener, Self Tapping, K50H16	6	
⑥	AB.12.07.00.0075	Top Decoration Cover i205 AWD	1	Only for i205 AWD
	AB.12.07.00.0042	Top Decoration Cover i206 AWD	1	Only for i206 AWD
	AB.12.07.00.0043	Top Decoration Cover i208 AWD	1	Only for i208 AWD
	AB.12.07.00.0044	Top Decoration Cover i210 AWD	1	Only for i210 AWD
⑦	AB.12.02.00.0154	Fastener, Self Tapping, K40H16	8	
⑧	AB.12.07.00.0041	Rear Decoration Cover	1	
⑨	AB.12.02.00.0138	Front Decoration Cover	1	

Top Shell Assembly 01



No.	PN	Description	Quantity	Notes
①	AB.12.07.00.0063	Height Adjustment Drive Gear	1	
②	AB.12.02.00.0154	Fastener, Self Tapping, K40H16	4	
③	AB.12.02.00.0113	VisionFence Front Cover Light Grey	1	
④	AB.12.07.00.0064	VisionFence Module	1	
⑤	AB.12.07.00.0038	Top Shell Body	1	
⑥	AB.12.02.00.0109	Display PCB Board	1	
⑦	AB.12.02.00.0165	Fastener, Self Tapping, ST2.9×9.5	6	
⑧	AB.12.07.00.0039	FPC Connector Clamp Plate	1	

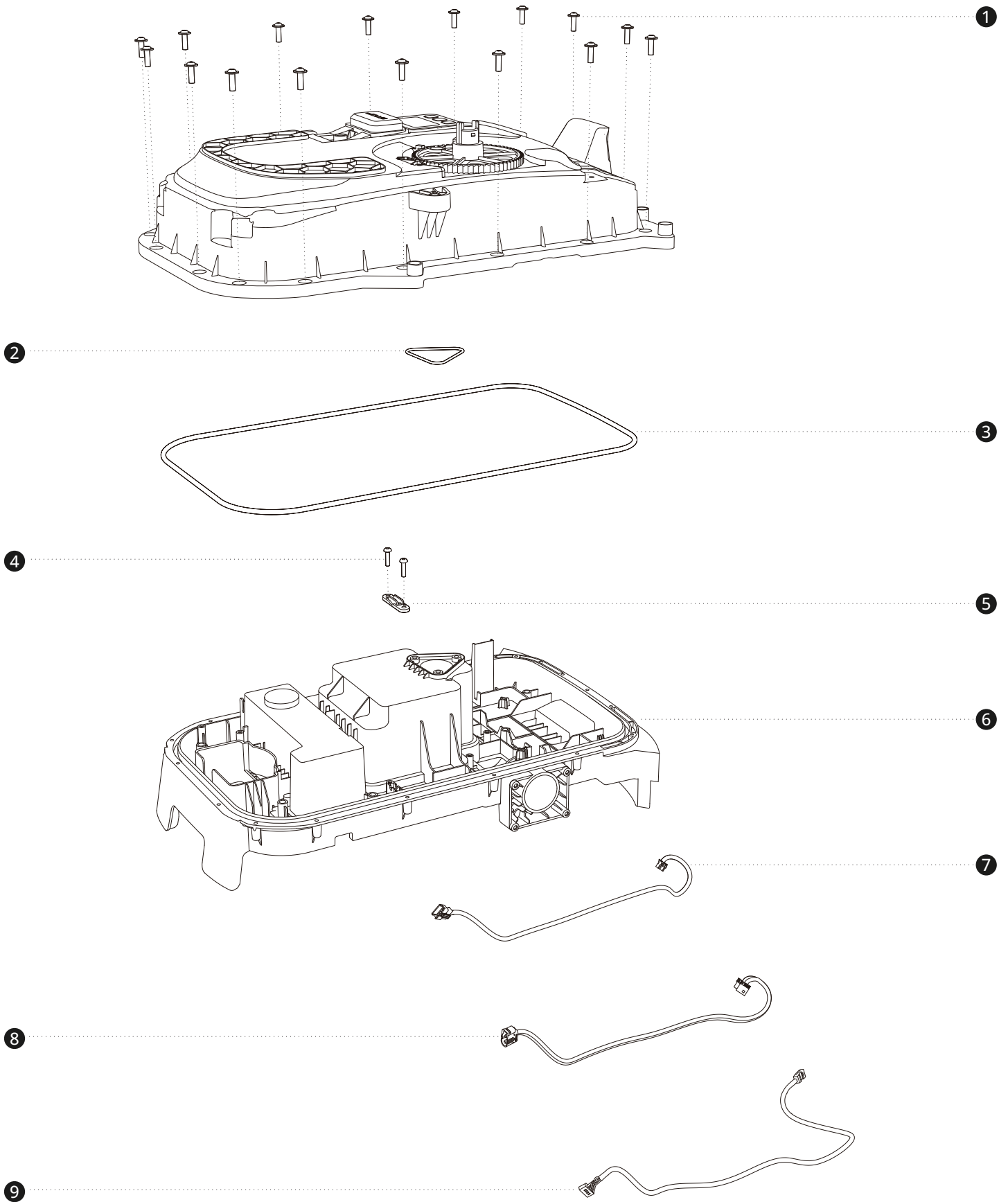
Top Shell Assembly 02



Top Shell Assembly 02

No.	PN	Description	Quantity	Notes
①	AB.12.07.00.0040	GNSS Antenna Module	1	
②	AB.12.02.00.0147	Cooling Silicone Pad	1	
③	AB.12.07.00.0035	ACU Board Assembly	1	
④	AB.12.02.00.0103	Speaker Module	1	
⑤	AB.12.02.00.0126	STOP Button Assembly	1	
⑥	AB.12.07.00.0037	Display and Button Harness	1	
⑦	AB.12.02.00.0160	Ambient Light Cable	1	
⑧	AB.12.07.00.0056	GNSS Antenna Transmission Cable	1	
⑨	AB.12.02.00.0154	Fastener, Self Tapping, K40H16	4	
⑩	AB.12.02.00.0155	Fastener, SHCS, M3x8	6	
⑪	AB.12.02.00.0165	Fastener, Self Tapping, ST2.9x9.5	2	
⑫	AB.12.02.00.0156	Twist buckle	7	
⑬	AB.12.02.00.0191	Film, Waterproof, Breath	1	
⑭	AB.12.07.00.0039	FPC Connector Clamp Plate	1	
⑮	AB.12.03.00.0044	Shielding Cover,GNSS-PCB	1	

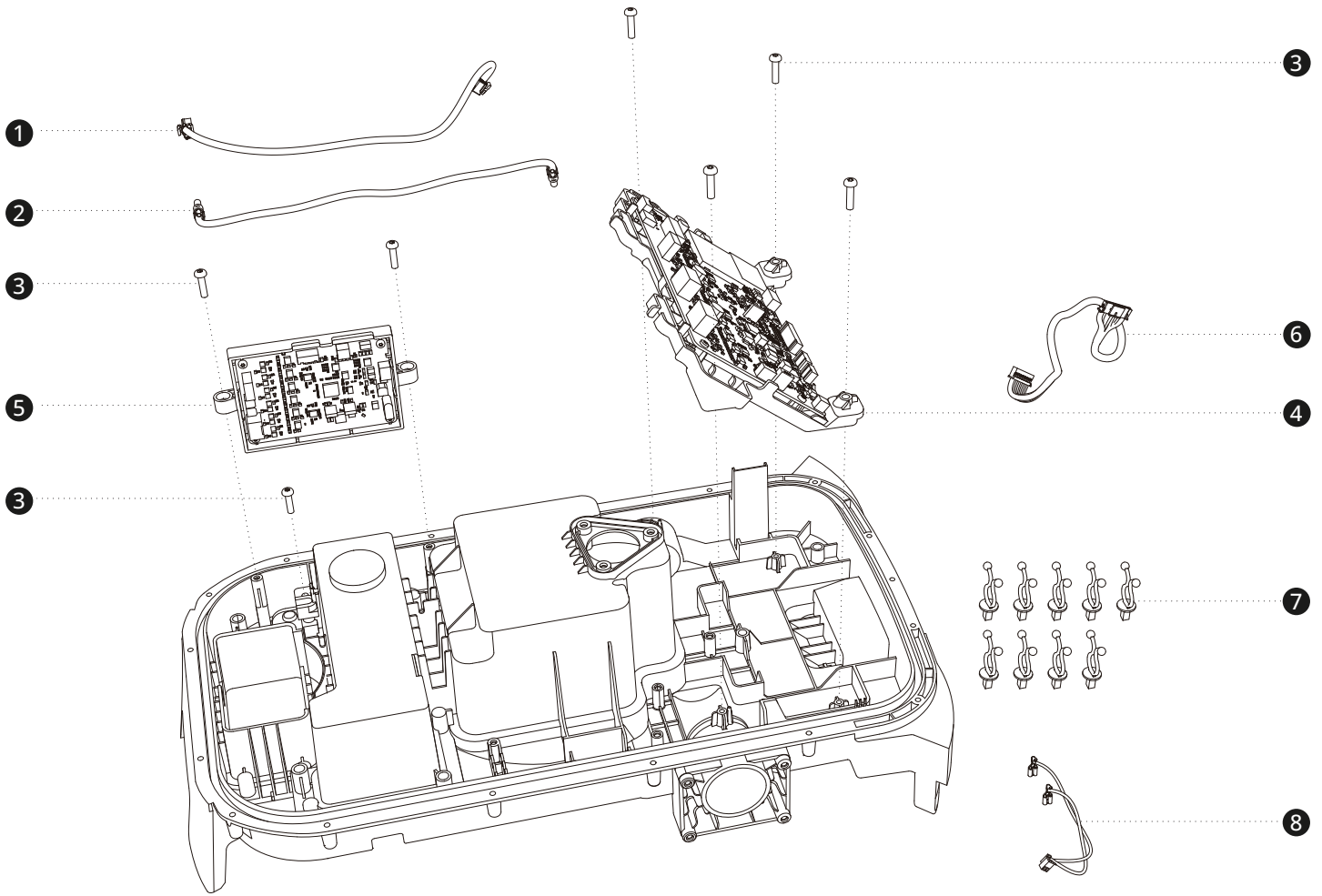
Chassis Assembly 01



Chassis Assembly 01

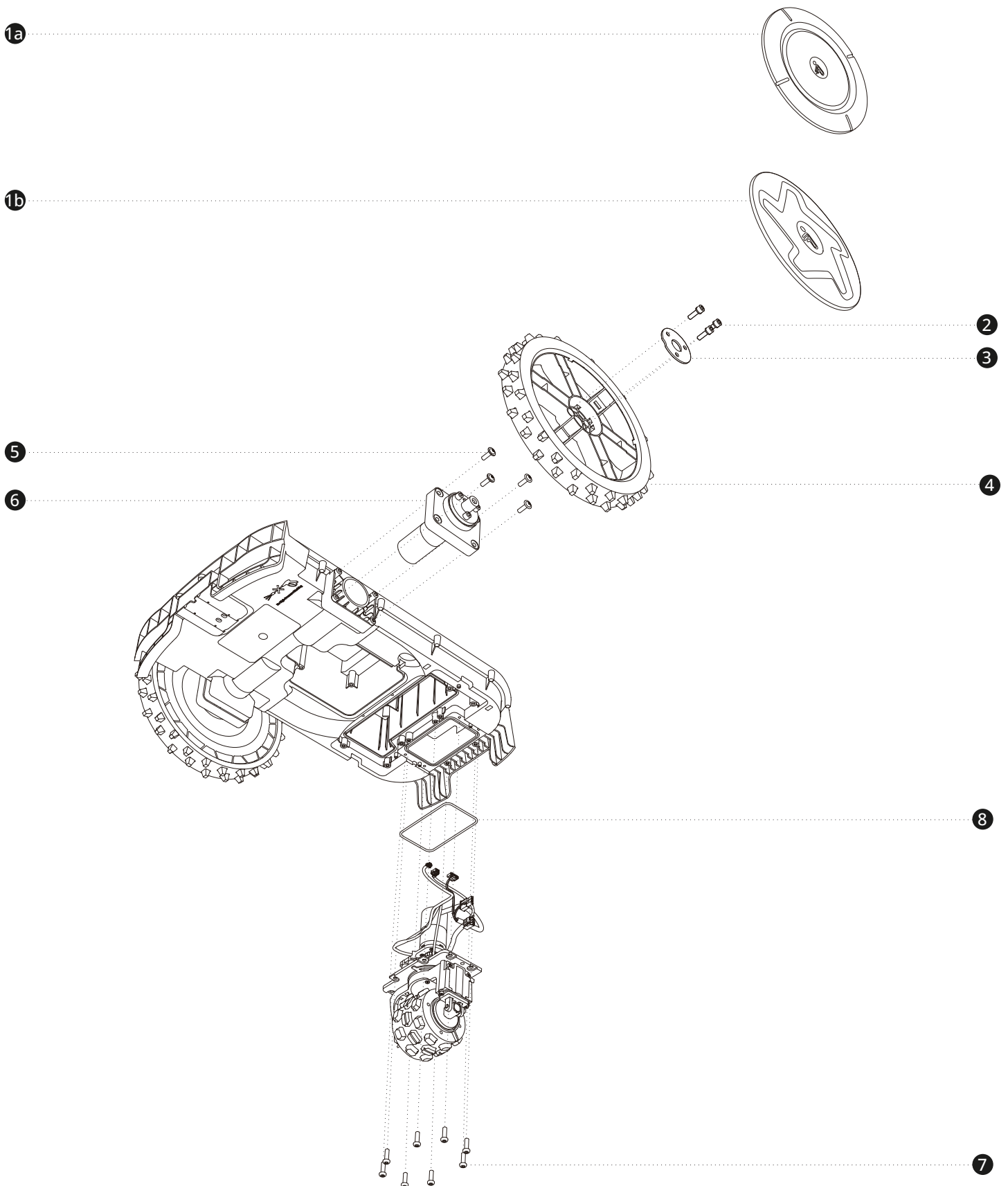
No.	PN	Description	Quantity	Notes
①	AB.12.02.00.0153	Fastener, Self Tapping, K50H16	19	
②	AB.12.07.00.0032	Chassis Inner Seal Strip	1	
③	AB.12.07.00.0033	Chassis Outer Seal Strip	1	
④	AB.12.02.00.0154	Fastener, Self Tapping, K40H16	2	
⑤	AB.12.07.00.0029	Battery and IoT Cable Clamp Plate	1	
⑥	AB.12.07.00.0073	Chassis Assembly i205 AWD-EU-UK-CH	1	Only for i205 AWD
	AB.12.07.00.0023	Chassis Assembly i206 AWD-EU-UK-CH	1	Only for i206 AWD
	AB.12.07.00.0024	Chassis Assembly i208 AWD-EU-UK-CH	1	Only for i208 AWD
	AB.12.07.00.0074	Chassis Assembly i210 AWD-EU-UK-CH	1	Only for i210 AWD
⑦	AB.12.07.00.0005	Battery Communication Harness	1	
⑧	AB.12.07.00.0004	Battery Power Harness	1	
⑨	AB.12.07.00.0001	IoT Cable	1	

Chassis Assembly 02



No.	PN	Description	Quantity	Notes
①	AB.12.07.00.0002	Rear Wheel Communication Harness	1	
②	AB.12.07.00.0003	Rear Wheel Power Harness	1	
③	AB.12.02.00.0154	Fastener, Self Tapping, K40H16	7	
④	AB.12.07.00.0026	Drive Board Assembly	1	
⑤	AB.12.07.00.0027	Rear Wheel Transition Board	1	
⑥	AB.12.07.00.0036	Drive Board Communication Harness	1	
⑦	AB.12.02.00.0156	Twist Buckle	9	
⑧	AB.12.07.00.0057	Chassis Charging Connection Wire	1	

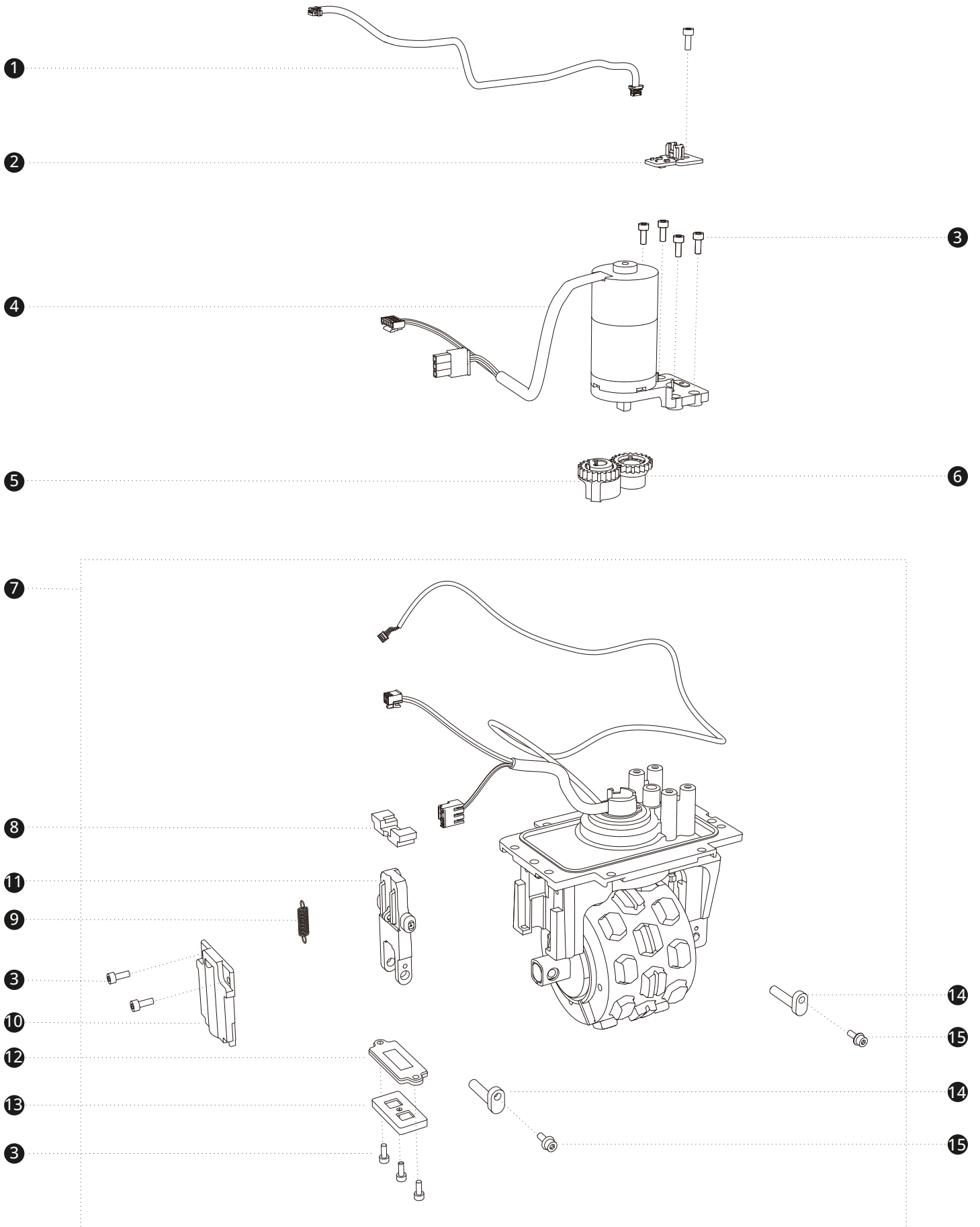
Wheels 01



Wheels 01

No.	PN	Description	Quantity	Notes
1a	AB.12.07.00.0031	Circular-pattern Wheel Cover	2	Only for i210 AWD
1b	AB.12.07.00.0030	Gear-pattern Wheel Cover	2	Only for i205/i206/i208 AWD
2	AB.12.02.00.0167	Hex Screw with Washer M5x16	6	
3	AB.12.02.00.0152	Traction Wheel Flat Pad	2	
4	AB.12.07.00.0022	Off-road Wheel	2	
5	AB.12.02.00.0153	Fastener, Self Tapping, K50H16	8	
6	AB.12.02.00.0116	Traction motor module	2	
7	AB.12.07.00.0028	Fastener, Hex Socket, K50x16	8	
8	AB.12.07.00.0034	Rear Wheel Base Seal Strip	1	

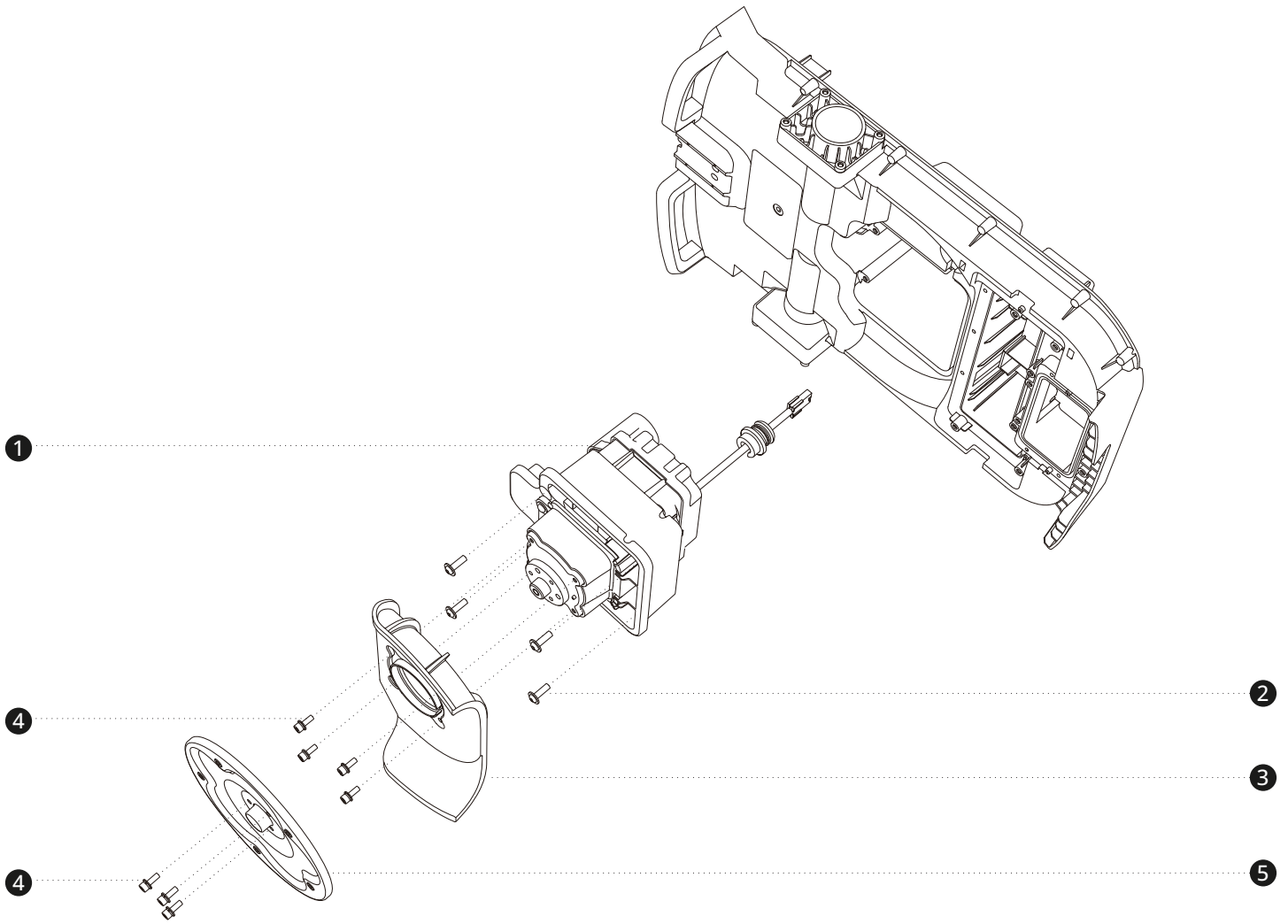
Wheels 02



Wheels 02

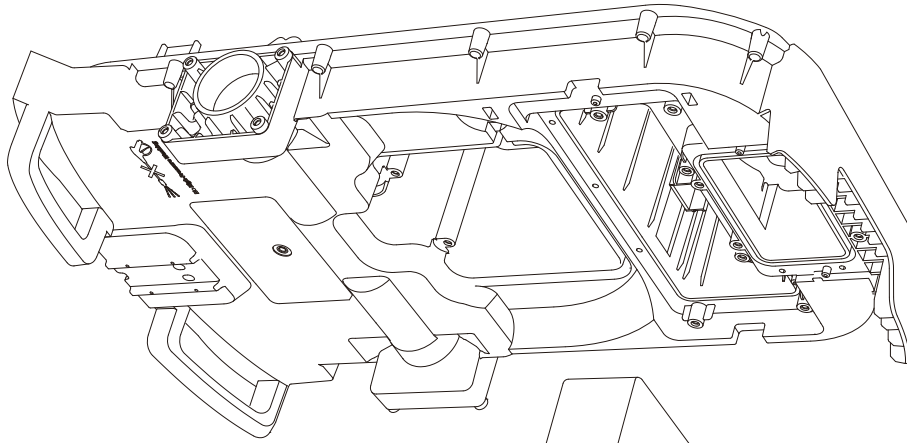
No.	PN	Description	Quantity	Notes
①	AB.12.07.00.0020	Steering Detection Harness	1	
②	AB.12.07.00.0018	Steering Detection Board	1	
③	AB.12.02.00.0155	Fastener, SHCS, M3x8	10	
④	AB.12.07.00.0019	Rear Wheel Steering Motor	1	
⑤	AB.12.07.00.0016	Wheel Frame Drive Gear Assembly	1	
⑥	AB.12.07.00.0017	Steering Detection Gear Assembly	1	
⑦	AB.12.07.00.0008	Rear Wheel Drive Motor Assembly	1	
⑧	AB.12.07.00.0014	Wheel Frame Damping Rubber Block	1	
⑨	AB.12.07.00.0015	Wheel Frame Tension Spring	1	
⑩	AB.12.07.00.0009	Wheel Frame Side Cover	1	
⑪	AB.12.07.00.0012	Wheel Frame Sliding Rod	1	
⑫	AB.12.07.00.0010	Wheel Frame Felt Assembly	1	
⑬	AB.12.07.00.0011	Wheel Frame Rubber Seal Assembly	1	
⑭	AB.12.07.00.0013	T-shaped Pin	2	
⑮	AB.12.07.00.0085	Fastener, SHCS with Washer, M3x9	2	

Mowing Assembly

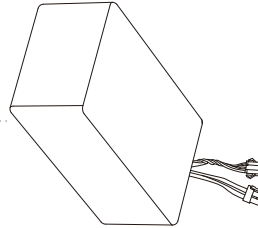


No.	PN	Description	Quantity	Notes
①	AB.12.07.00.0006	Mowing Module EU-UK-CH-ANZ	1	
②	AB.12.02.00.0153	Fastener, Self Tapping, K50H16	4	
③	AB.12.07.00.0080	Blade Disc Cover	1	
④	AB.12.02.00.0178	Fastener, SHCS, M4x12	7	
⑤	AB.12.07.00.0046	Blade Disc	1	

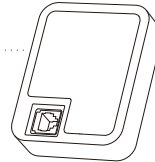
Battery and IoT Module



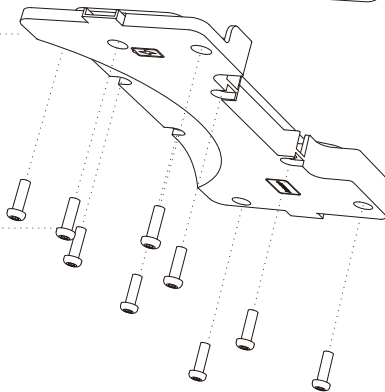
1



2



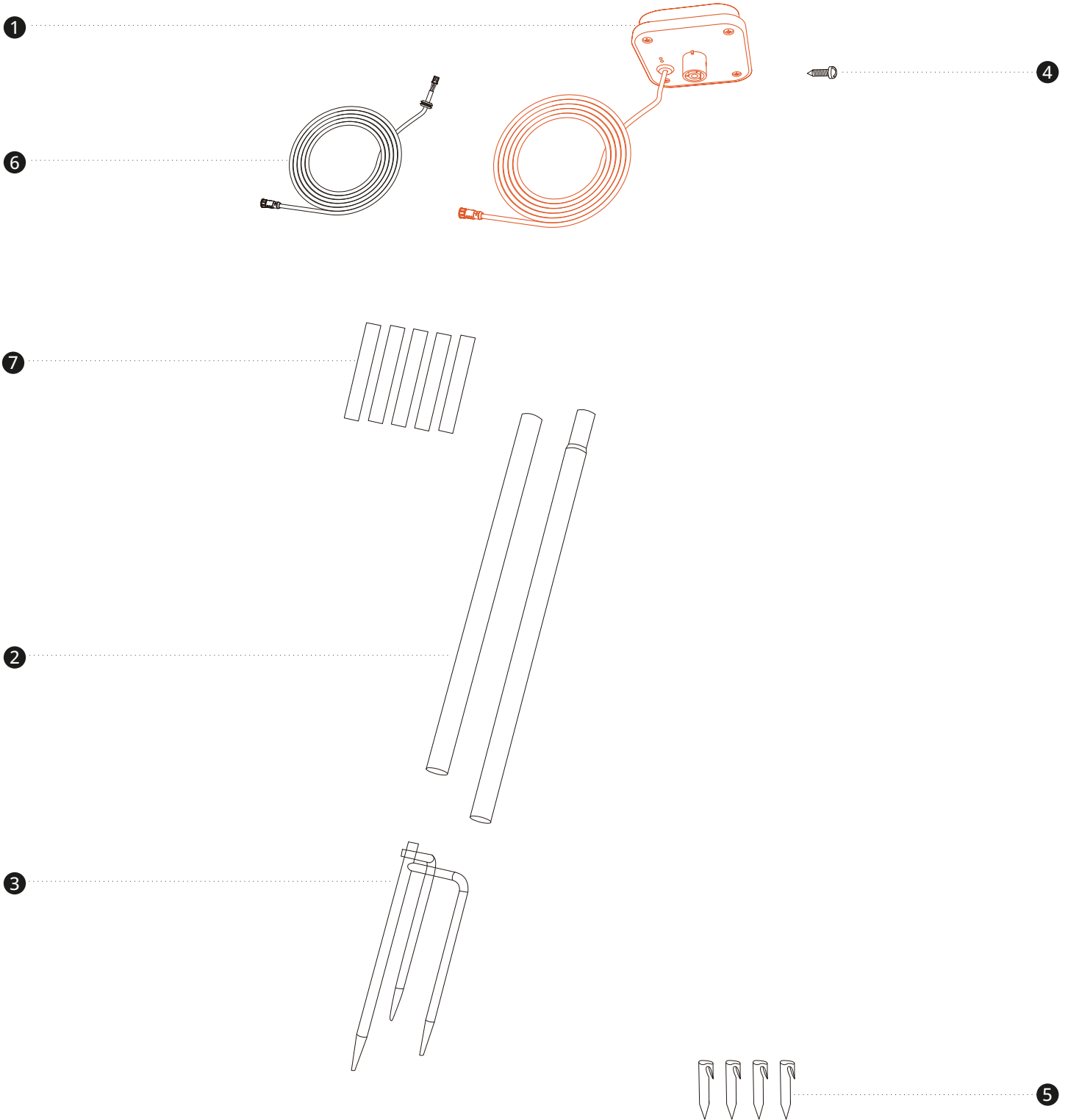
3



4

No.	PN	Description	Quantity	Notes
1	AB.12.05.00.0044	Battery Pack 2.55Ah	1	Interchangeable for i205/i206 AWD
	AB.12.07.00.0088	Battery Pack 2.55Ah-U4	1	
	AB.12.05.00.0135	Battery Pack 5.1Ah-U4	1	Interchangeable for i208/i210 AWD
	AB.12.05.00.0043	Battery Pack 5.1Ah	1	
2	AB.12.07.00.0086	IOT Module EU-UK-CH-ANZ	1	
3	AB.12.07.00.0021	Battery Cover	1	
4	AB.12.07.00.0028	Fastener, Self Tapping, K50x16	9	

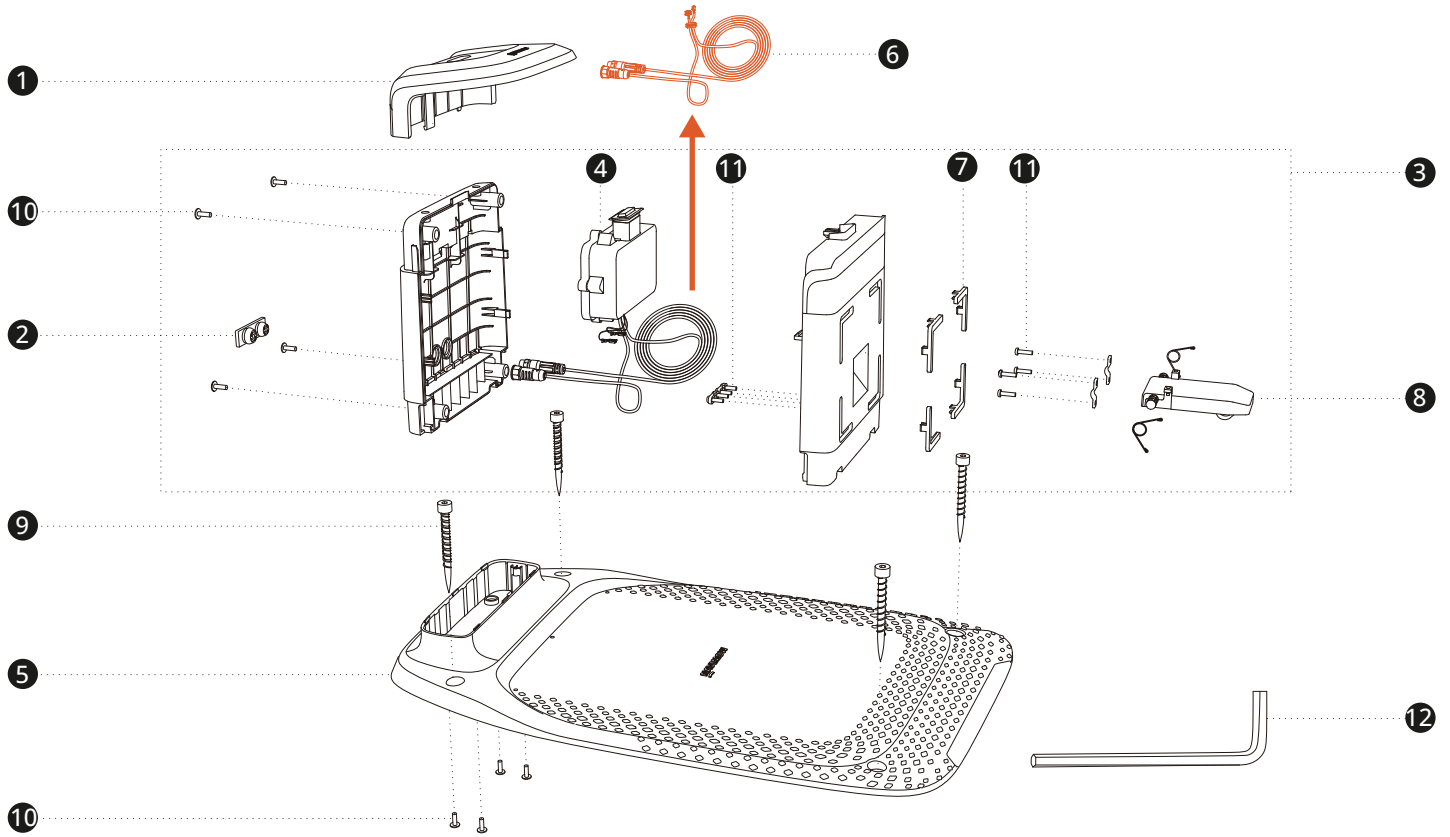
GNSS Station



GNSS Station

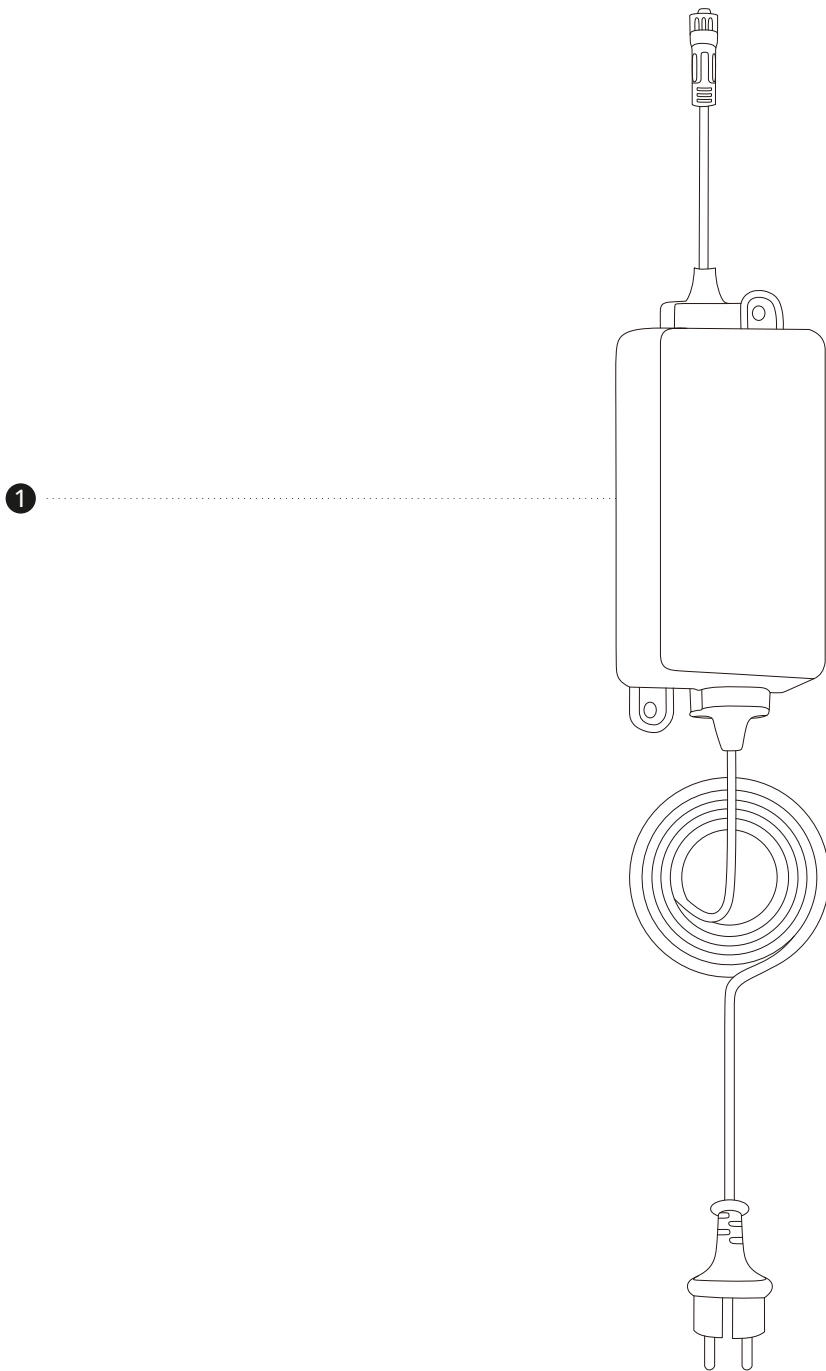
No.	PN	Description	Quantity	Notes
①	AB.12.07.00.0051	GNSS Station	1	
②	AB.12.01.00.0247	Tube, Assembly	1	
③	AB.50.0017.20	Base Fork, Assembly	1	
④	AB.12.02.00.0176	Fastener, Philips, ST4.2x13	1	
⑤	AB.12.03.00.0124	Cable Peg	4	
⑥	AB.12.07.00.0052	GNSS Station Cable	1	
⑦	AB.12.02.00.0157	Tape, Velcro	5	

Charging Station



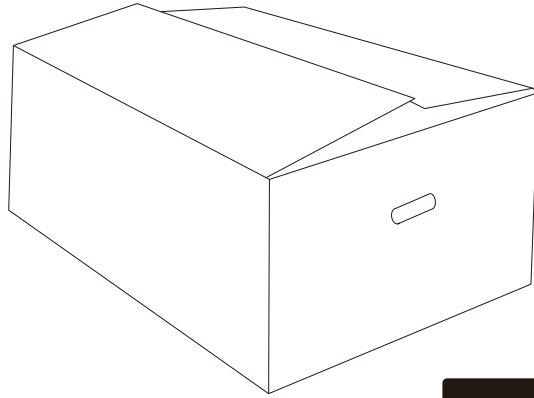
No.	PN	Description	Quantity	Notes
①	AB.12.02.00.0122	Charging Station Upper Cover	1	
②	AB.12.02.00.0133	CGS Cable Protection Plug	1	
③	AB.12.07.00.0049	CGS Main Body EU-UK-CH-ANZ	1	
④	AB.12.07.00.0047	Charging Station Board Assembly	1	
⑤	AB.12.02.00.0131	Charging Station Base Plate	1	
⑥	AB.12.07.00.0048	CGS Cable Assembly	1	
⑦	AB.12.02.00.0140	Reflective Strip, L-Shaped	4	
⑧	AB.12.02.00.0121	CGS Charging Tongue Assembly	1	
⑨	AB.12.02.00.0179	Ground Nail, Charging Station	4	
⑩	AB.12.02.00.0153	Fastener, Self Tapping, K50H16	8	
⑪	AB.12.02.00.0154	Fastener, Self Tapping, K40H16	8	
⑫	AB.12.02.00.0183	Socket Key, Hexagon, 6mm	1	

Power Supply



No.	PN	Description	Quantity	Notes
①	AB.12.05.00.0102	Power Adaptor EU 2.5A	1	Only for i205/i206/i208/i210 AWD-EU
	AB.12.07.00.0065	Power Adaptor UK 2.5A	1	Only for i205/i206/i208/i210 AWD-UK
	AB.12.07.00.0066	Power Adaptor CH 2.5A	1	Only for i205/i206/i208/i210 AWD-CH

Packing



1

2

进水检测

Water detection
Détection d'eau
Wassererkennung

Warranty Void If Broken
Garantie annulée si
ouvert/retiré
Bei gebrochenem
Garantiesiegel erlischt die
Garantie

3

No.	PN	Description	Quantity	Notes
1	AB.12.07.00.0071	Labeled Packaging Kit i205 AWD-EU	1	Only for i205 AWD-EU
	AB.12.07.00.0053	Labeled Packaging Kit i206 AWD-EU	1	Only for i206 AWD-EU
	AB.12.07.00.0054	Labeled Packaging Kit i208 AWD-EU	1	Only for i208 AWD-EU
	AB.12.07.00.0072	Labeled Packaging Kit i210 AWD-EU	1	Only for i210 AWD-EU
	AB.12.07.00.0081	Labeled Packaging Kit i205 AWD-UK	1	Only for i205 AWD-UK
	AB.12.07.00.0067	Labeled Packaging Kit i206 AWD-UK	1	Only for i206 AWD-UK
	AB.12.07.00.0069	Labeled Packaging Kit i208 AWD-UK	1	Only for i208 AWD-UK
	AB.12.07.00.0078	Labeled Packaging Kit i210 AWD-UK	1	Only for i210 AWD-UK
	AB.12.07.00.0082	Labeled Packaging Kit i205 AWD-CH	1	Only for i205 AWD-CH
	AB.12.07.00.0068	Labeled Packaging Kit i206 AWD-CH	1	Only for i206 AWD-CH
	AB.12.07.00.0070	Labeled Packaging Kit i208 AWD-CH	1	Only for i208 AWD-CH
	AB.12.07.00.0079	Labeled Packaging Kit i210 AWD-CH	1	Only for i210 AWD-CH
2	AB.12.02.00.0177	Label, Tamper-proof	2	
3	AB.12.02.00.0175	Indication Label, Water Ingress	5	

NAVIMOW

