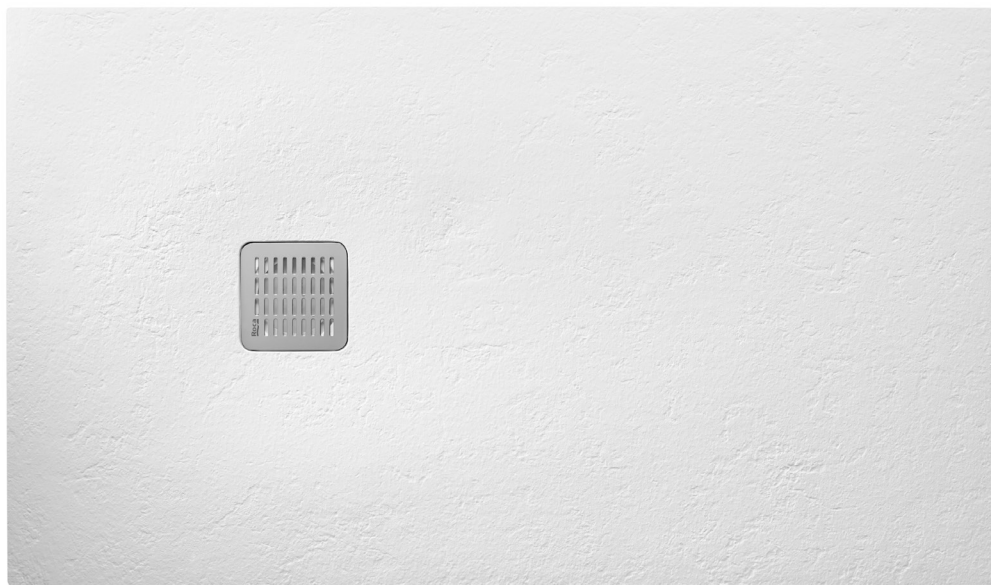
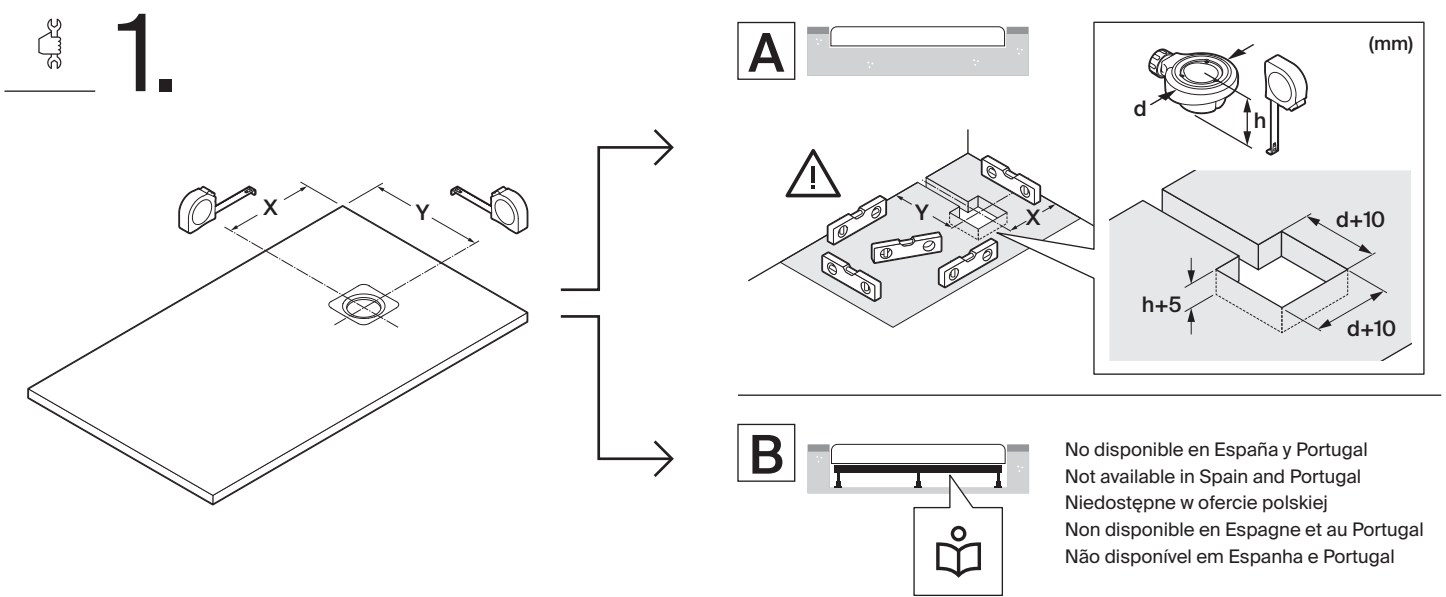
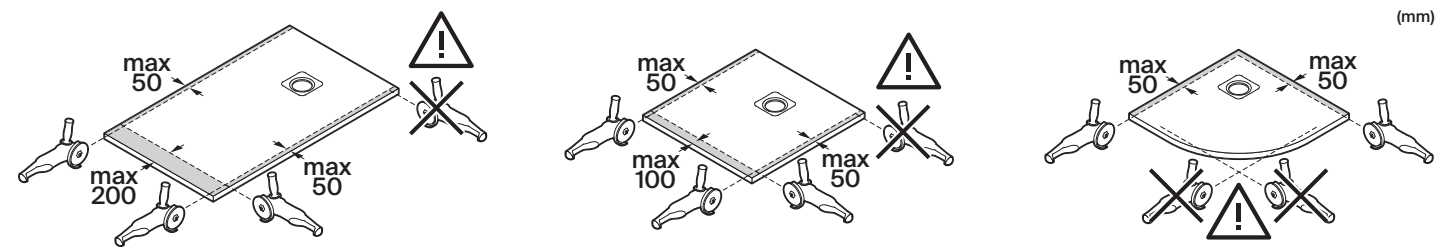
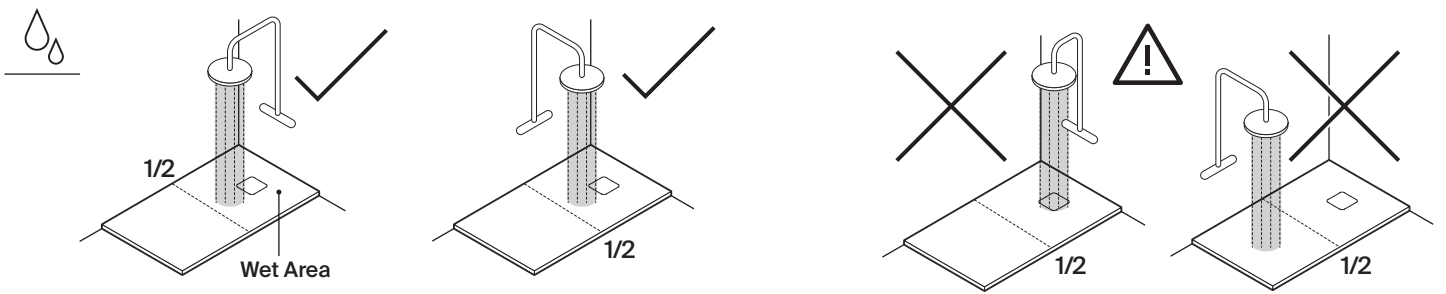
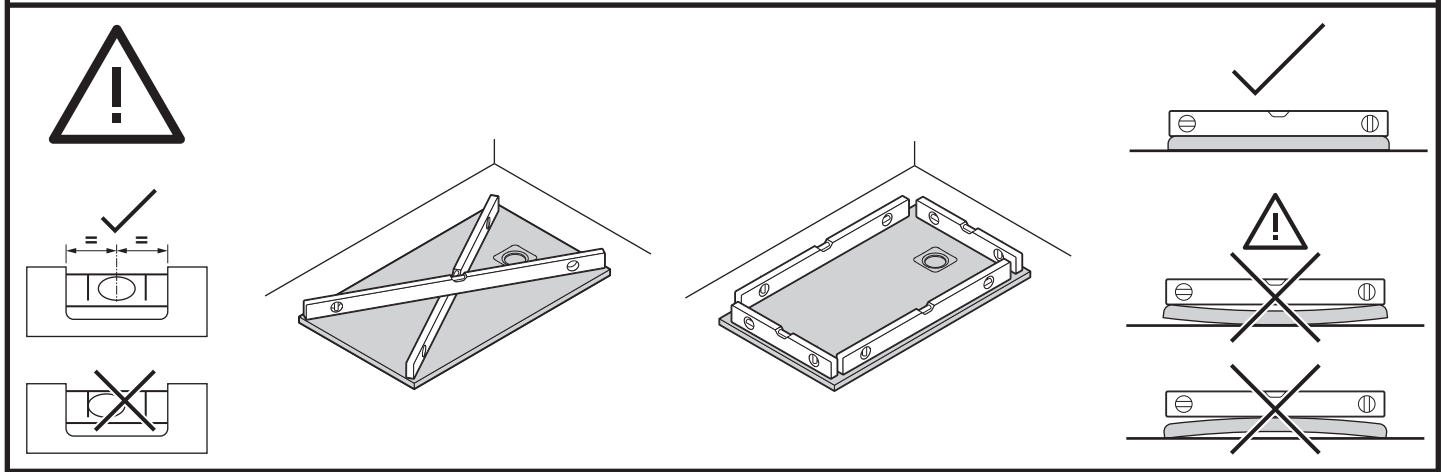
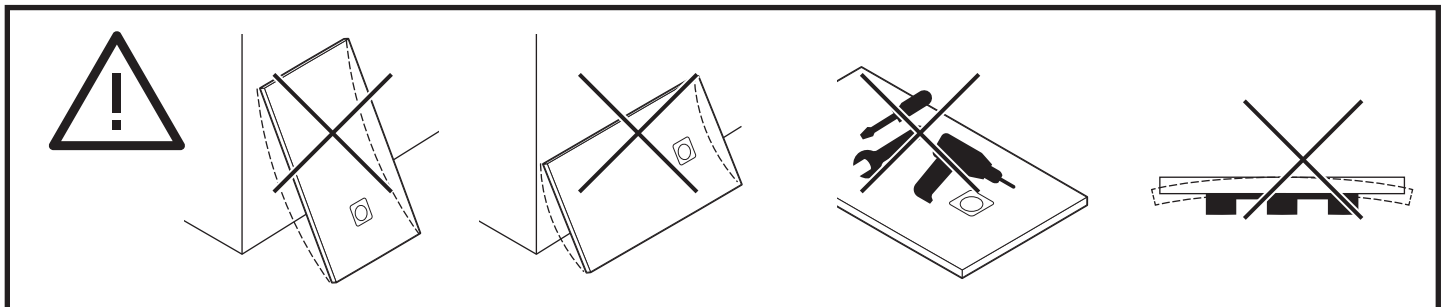


# Stonex<sup>®</sup>

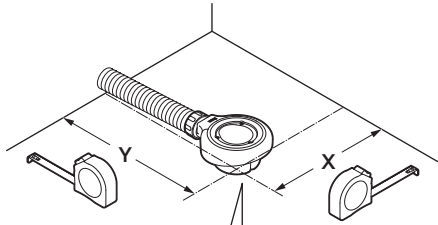
## Shower Tray



		(mm)
<b>Rectangular shower tray dimensions (LxW)</b>		<b>A</b>
	$800 \times 600 \leq L \times W \leq 1800 \times 700$	350
	$800 \times 701 \leq L \times W \leq 2000 \times 800$	400
	$1000 \times 801 \leq L \times W \leq 2000 \times 900$	450
	$1000 \times 901 \leq L \times W \leq 2000 \times 1000$	500
	$1201 \times 1001 \leq L \times W \leq 1600 \times 1400$	450
	$1601 \times 1001 \leq L \times W \leq 2000 \times 1400$	500
<b>Round shower tray dimensions</b>		<b>A</b>
	800x800	600
	900x900	700



## 2. A B

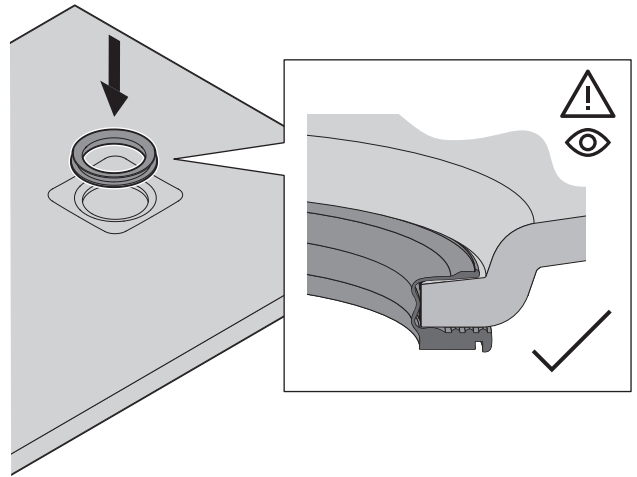


A27L018000\*

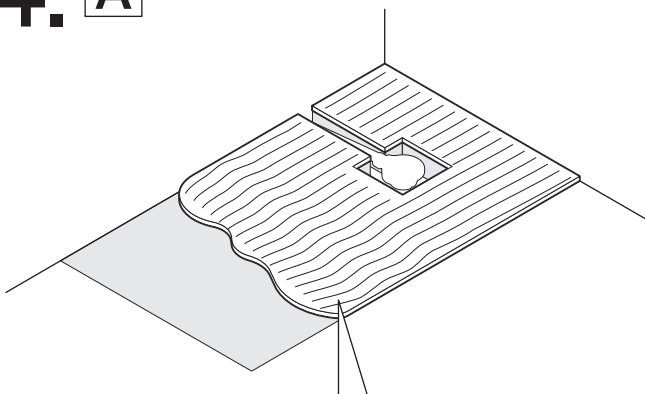
Min. 2%

\* Recomendado  
Recommended

## 3. A B

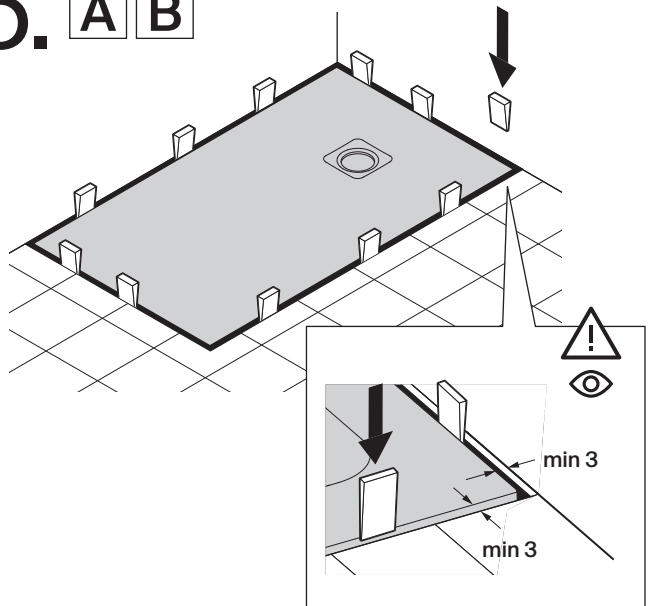


## 4. A

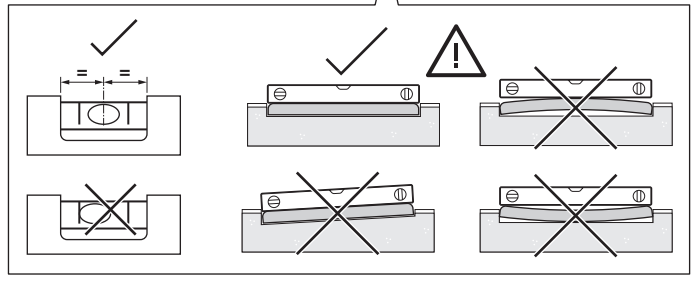
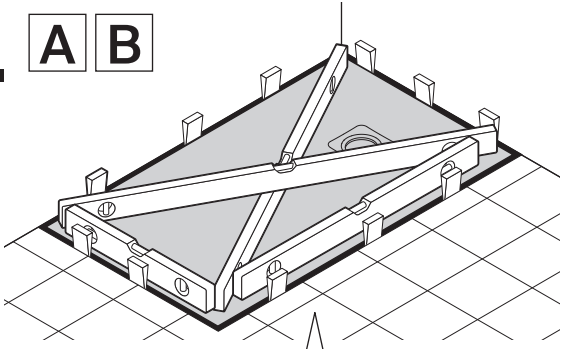


Flexible tile adhesive  
Klej elastyczny do płytek  
Mortier adhésif  
Adesivo flexível para azulejos

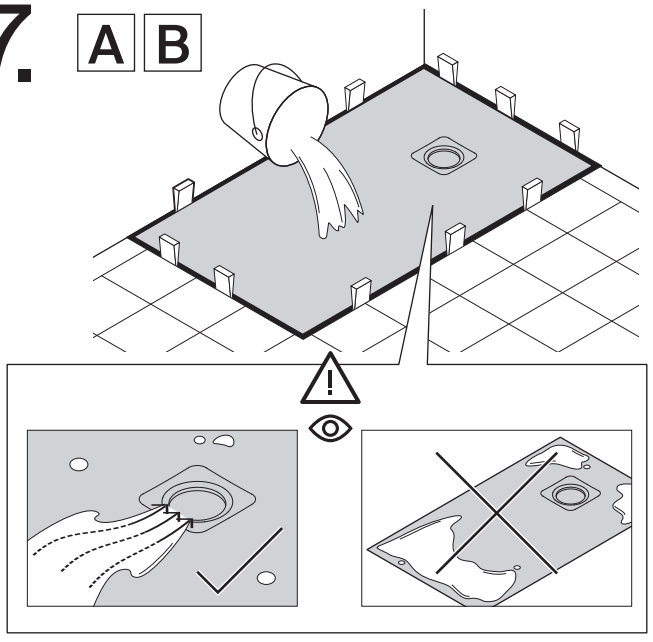
## 5. A B



## 6. A B

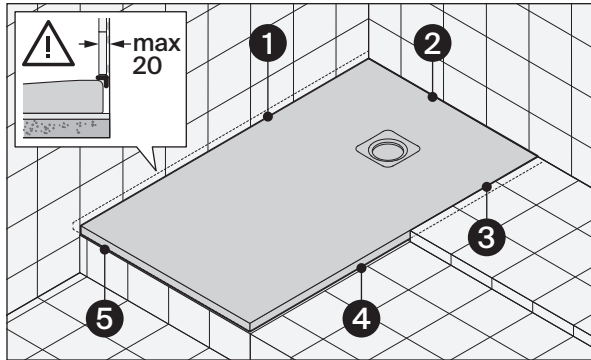


## 7. A B



# 8.

Según instrucciones del fabricante  
According to manufacturer instructions  
Zgodnie z instrukcją producenta  
Selon les instructions du fabricant  
De acordo com as instruções do fabricante

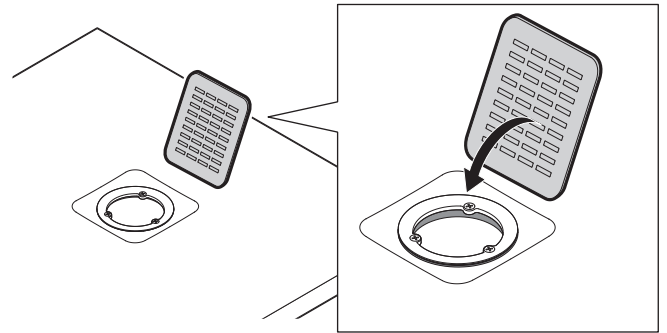
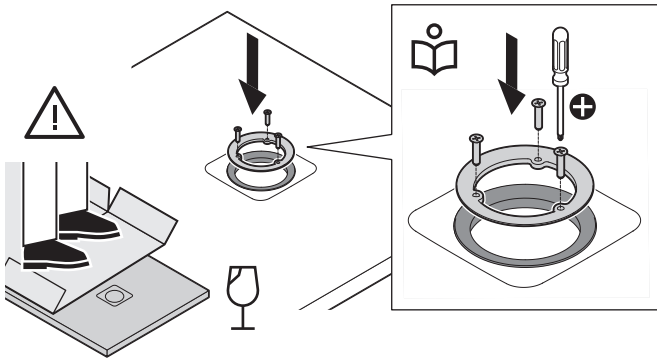


\* Silicona no acética  
Non acetic silicone  
Silikony neutralne  
Silicone neutre  
Silicone não acético

<b>1</b> 	<b>2</b> 	<b>3</b> 	<b>4</b> 	<b>5</b> 
--------------	--------------	--------------	--------------	--------------

# 9. A B

# 10. A B



			Max <b>55° C</b> <b>130° F</b>		
					 SOFT