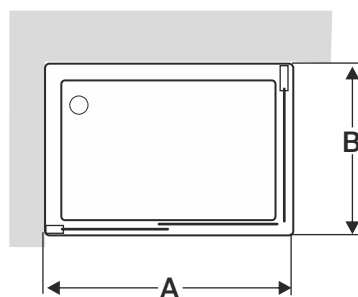
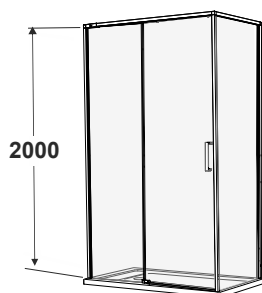
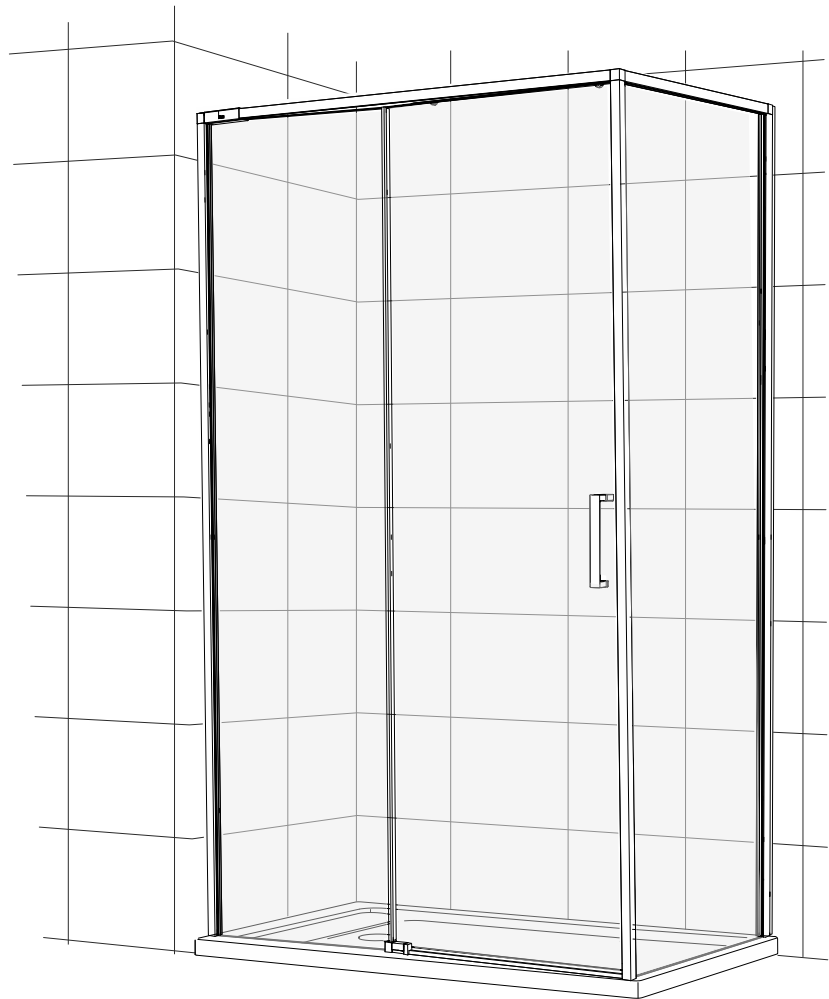


Ura

L2-E + LF-C



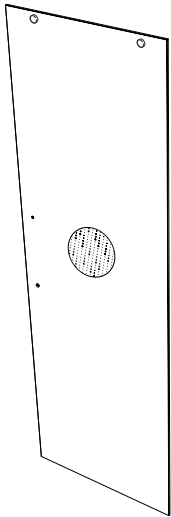
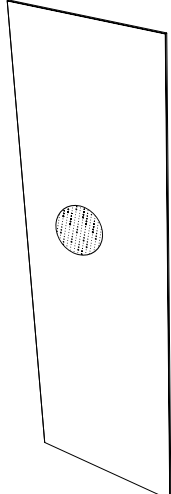
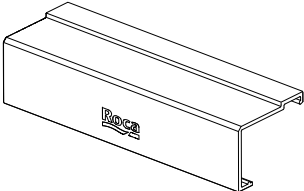
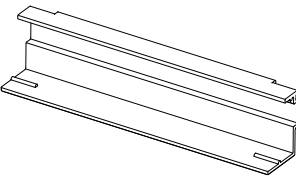
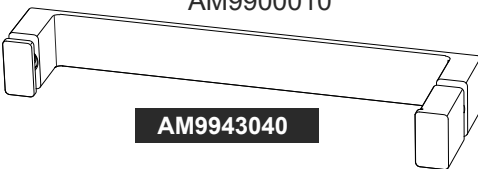
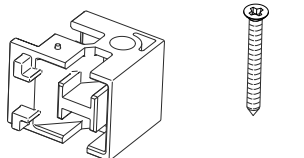
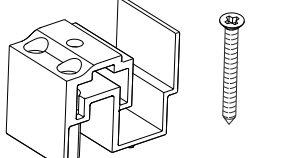
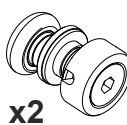
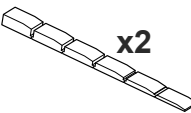

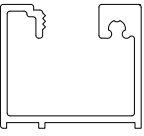

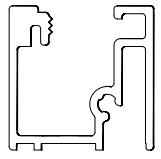

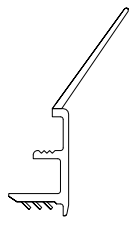

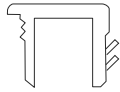
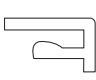
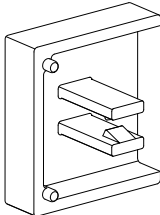
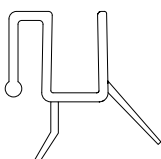
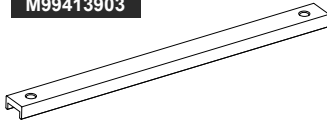
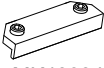
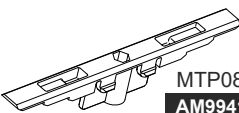
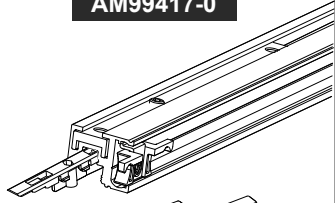
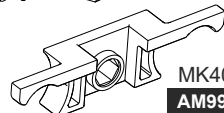
AM20J...
AM20K..



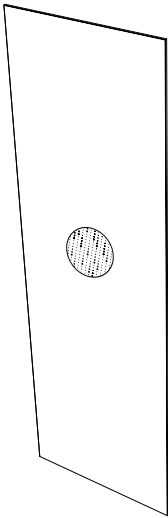

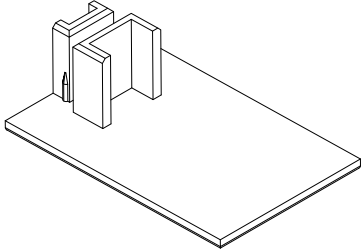

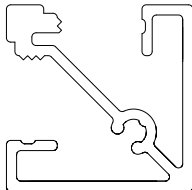
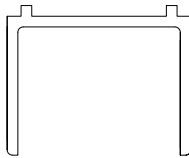
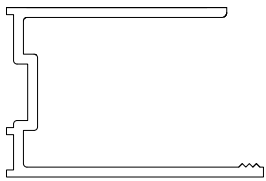
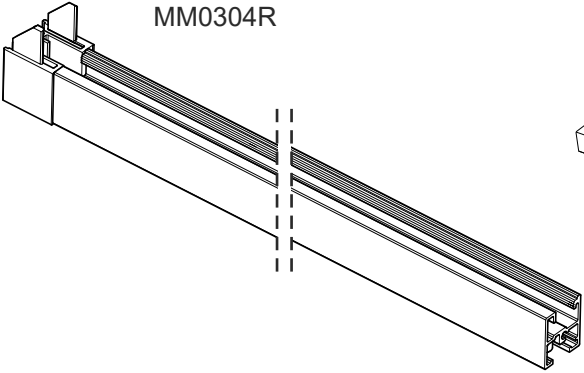
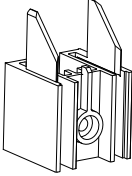
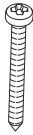
L2-E	A	
	min	m x.
1000	970	1020
1100	1021	1120
1200	1121	1220
1300	1221	1320
1400	1321	1420
1500	1421	1520
1600	1521	1620
1700	1621	1720
1800	1721	1820

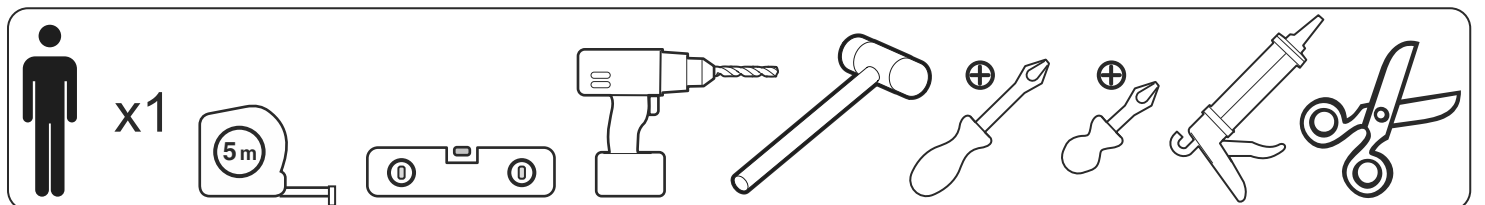
LF-C	B	
	min	m x.
700	685	710
750	735	760
800	785	810
900	885	910

L2-E

<p>MABZM</p>  <p>AM9943--M0</p>	<p>MAC9M</p>  <p>AM9943--M0</p>	<p>MTS003200 x6 MTP091006 x6 MTS002900 x6</p> <p>AM99412000</p>		<p>MTS001900 MTS002000</p> <p>2,5 3 4</p> <p>MTS006100</p>			
<p>MTP08690</p>  <p>AM9941330</p>		<p>MTP08700</p>  <p>MTP086803</p>	<p>AM9900010</p>  <p>AM9943040</p> <p>x2 MTP085403 AM99430300</p>				
<p>MTZ05530 MTS017400</p>  <p>AM9941380</p>	<p>MTZ05520 MTS017400</p>  <p>AM9941370</p>	<p>MK409350</p>  <p>x2 AM9941440</p>	<p>MTP071700</p>  <p>x2 AM99412200</p>	<p>MTP08430</p>  <p>x2 AM9939390</p>			
<p>MM03060</p>  <p>AM9941570</p>	<p>MM01900</p>  <p>AM9939060</p>	<p>MM03050</p>  <p>AM9943110</p>	<p>MU0750010</p>  <p>x2 AM99395300</p>	<p>MU0749010</p>  <p>AM99415000</p>	<p>MU0735010</p>  <p>x2 AM99414806</p>	<p>MU0737010</p>  <p>AM99415200</p>	<p>MU0745010</p>  <p>AM99415300</p>
<p>MTP08710</p>  <p>AM9941360</p>	<p>MU0563010</p>  <p>AM99374400</p>	<p>MK4093303 AM99413903</p>  <p>MK409340 AM99414003</p>  <p>MTP088203 AM99414103</p> 		<p>MM03010 AM99417-0</p>  <p>MK4093703 AM9941420</p>  <p>x2</p>			

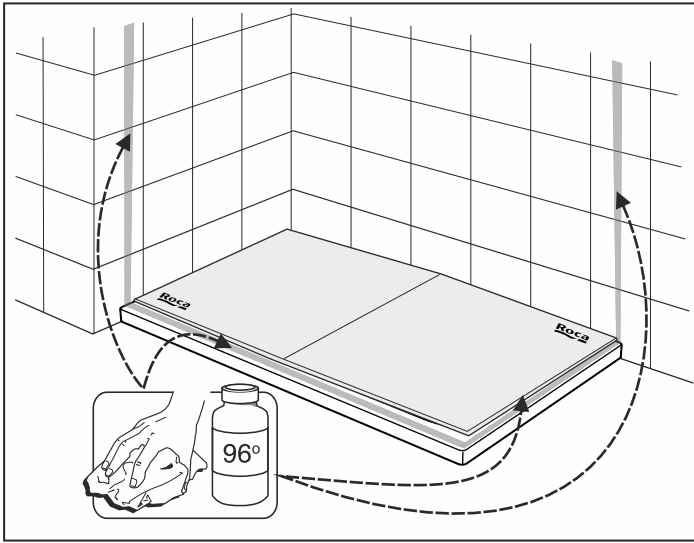
LF-C

<p>MAC8M</p>  <p>AM99424-M0</p>	<p>MTS001300</p>  <p>AM99348000</p>	<p>MTP087300</p>  <p>AM99413500</p>	
<p>MU0735010</p>  <p>x4</p> <p>AM99414806</p>	<p>MP0318010</p>  <p>AM9941600</p>	<p>MP0320010</p>  <p>AM9941610</p>	<p>MM03070</p>  <p>AM9941590</p>
<p>MM0304R</p>  <p>x2</p> <p>MK409340 AM99414003</p> <p>AM99418-</p>		<p>MTP08670</p>   <p>MTS001000</p> <p>AM9941260</p>	





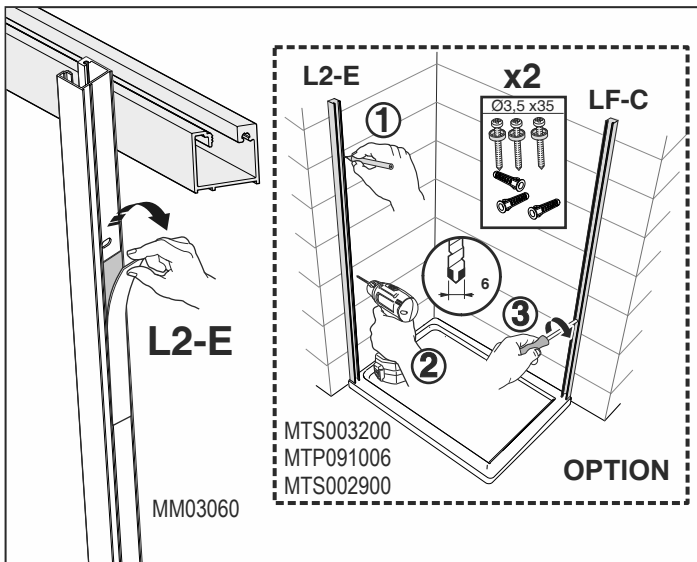
1



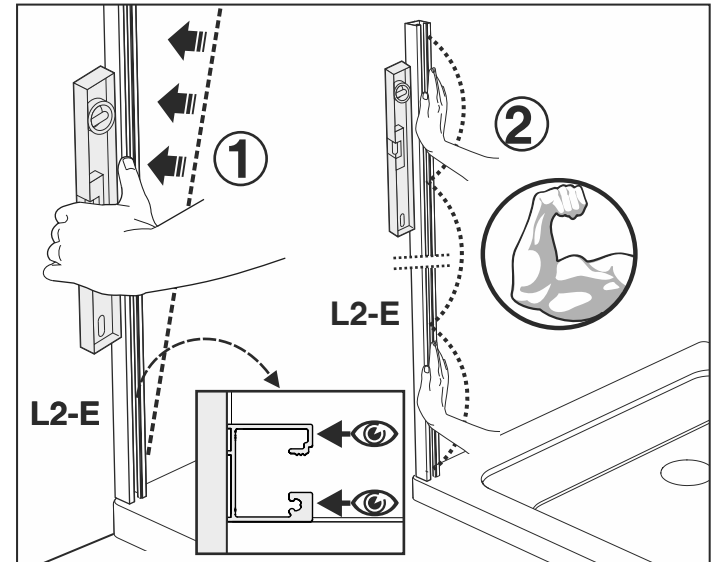
2

L2-E	A (mm)		LF-C	B (mm)	
	min	m. x.		min	m. x.
1000	970	1020	700	685	710
1100	1021	1120	750	735	760
1200	1121	1220	800	785	810
1300	1221	1320	850	835	860
1400	1321	1420			
1500	1421	1520			
1600	1521	1620			
1700	1621	1720			
1800	1721	1820			

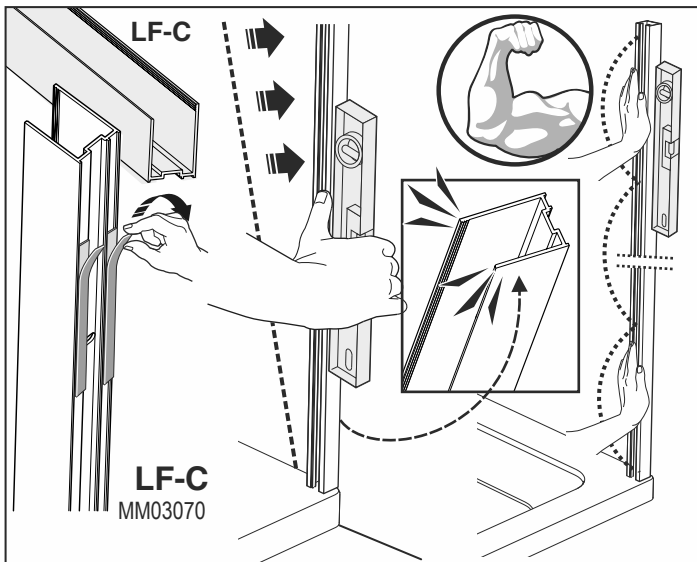
3



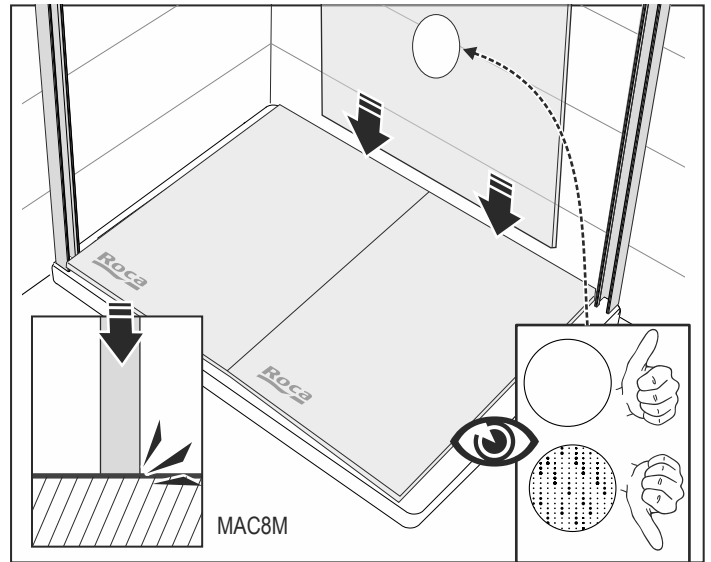
4



5

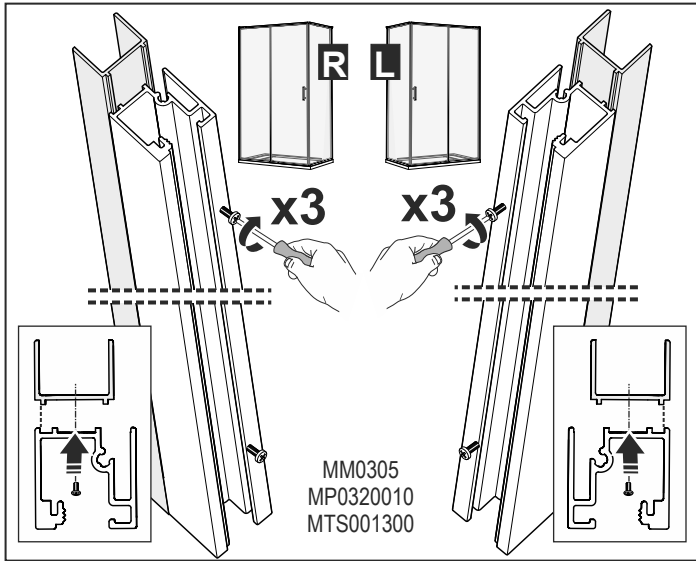


6

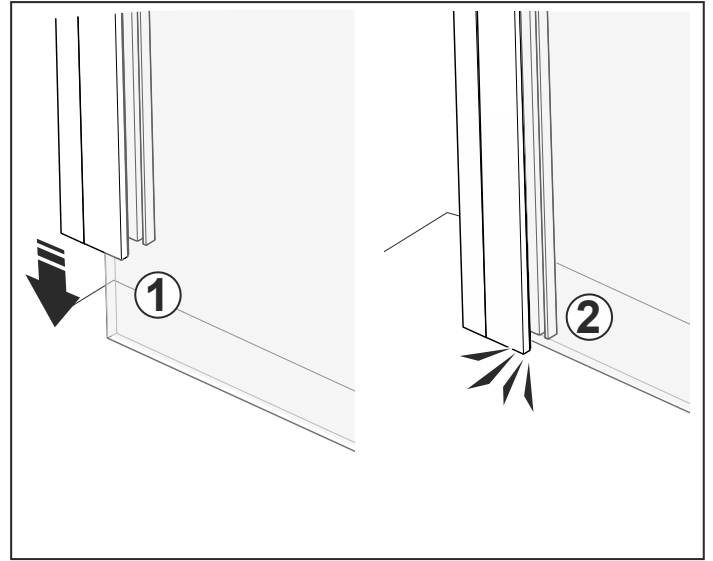




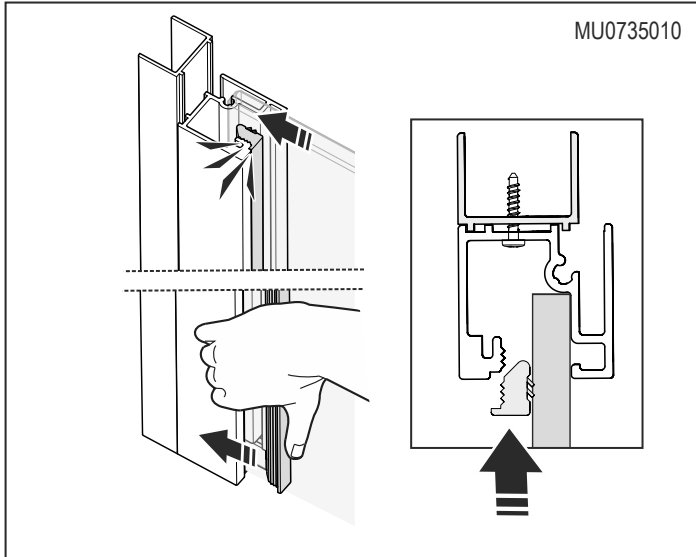
7



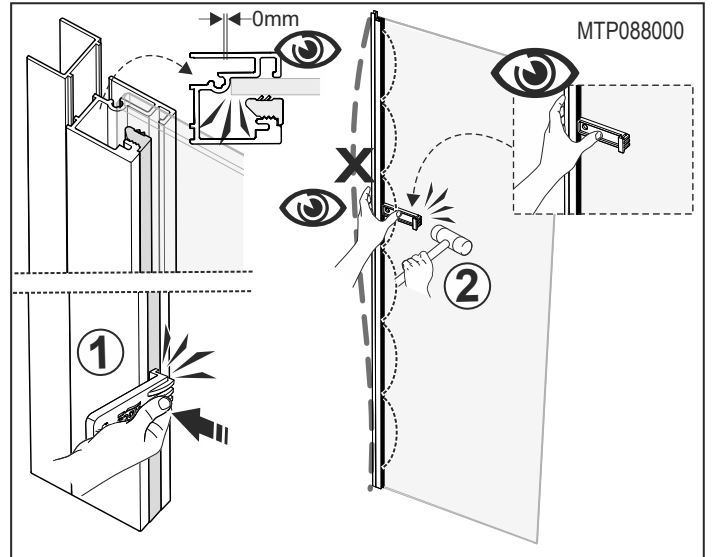
8



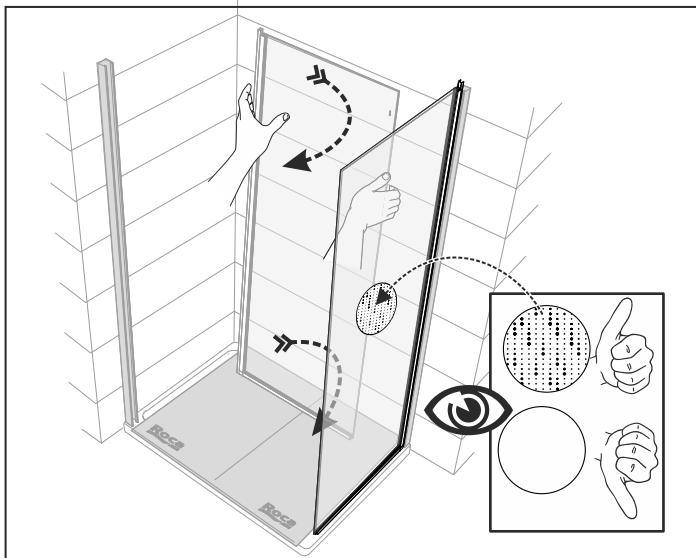
9



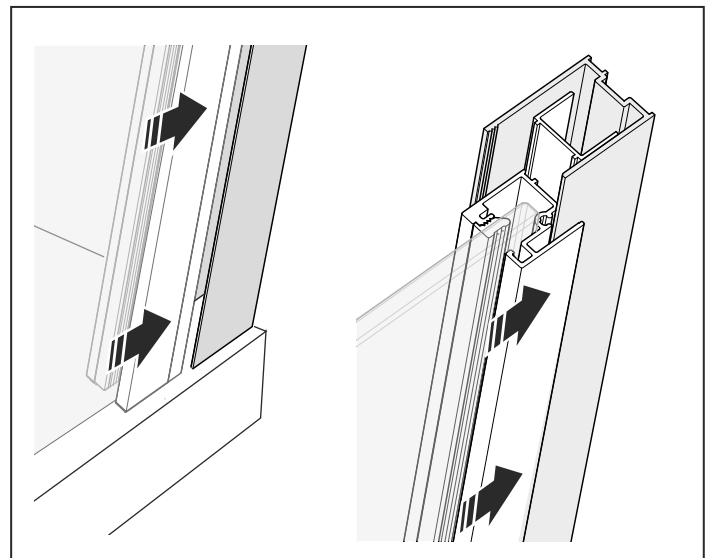
10



11

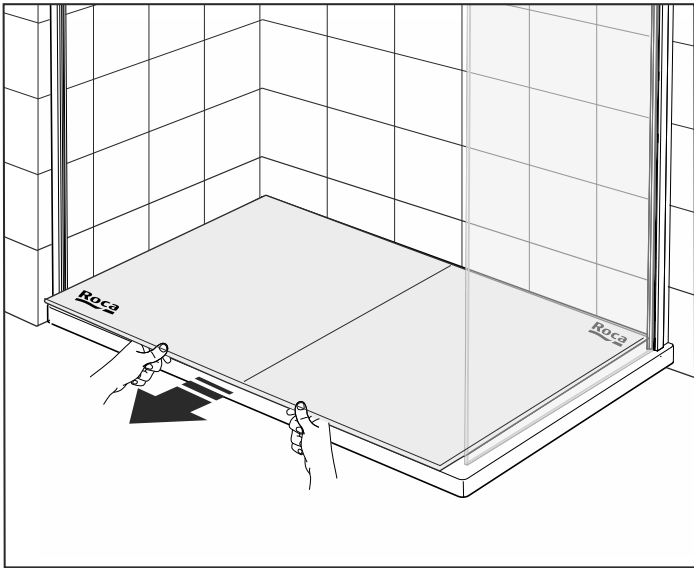


12

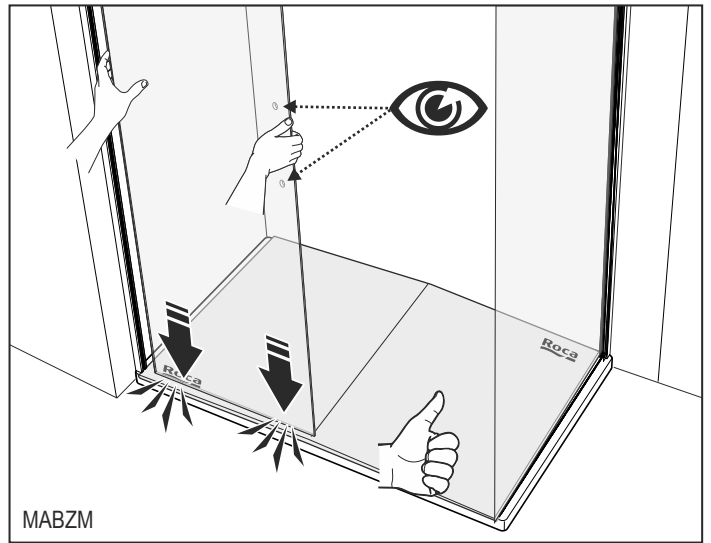




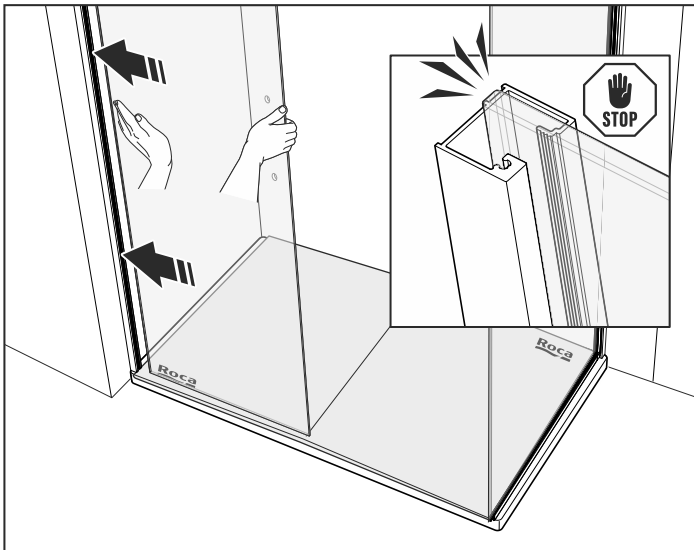
13



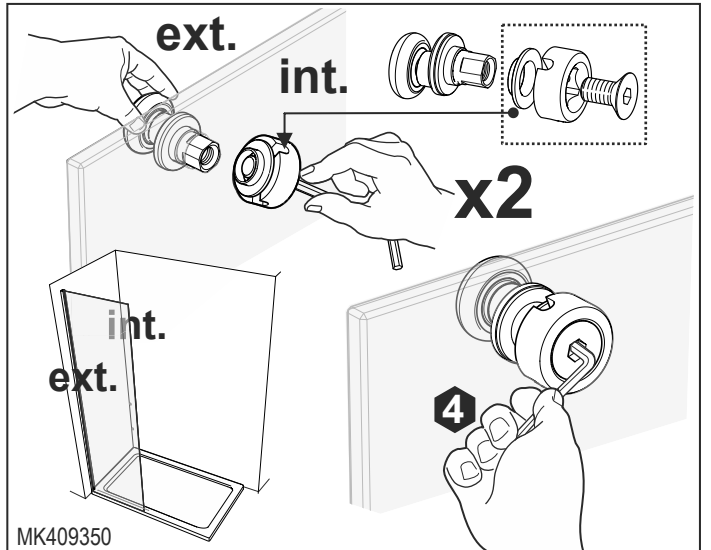
14



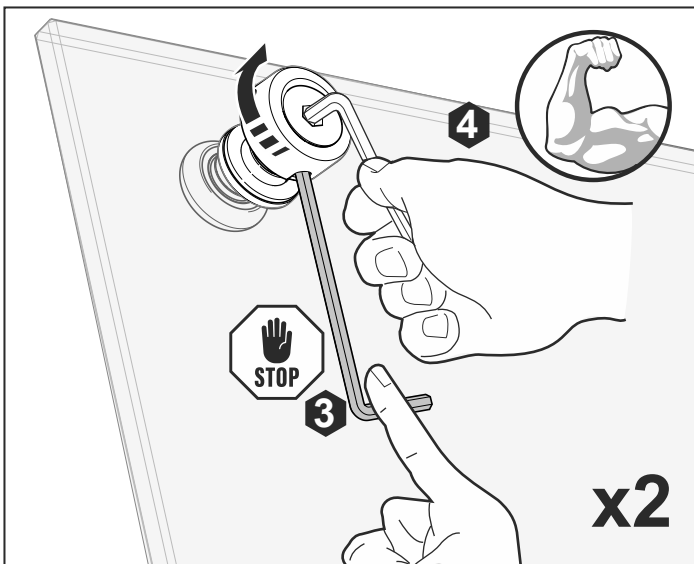
15



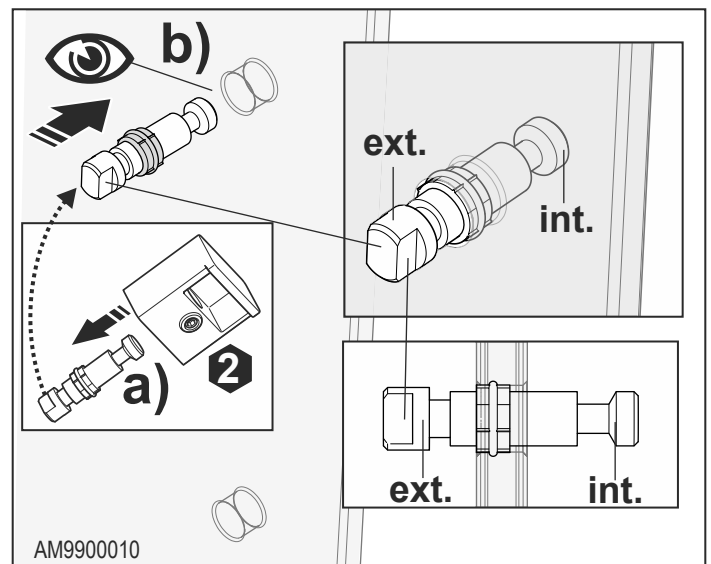
16



17

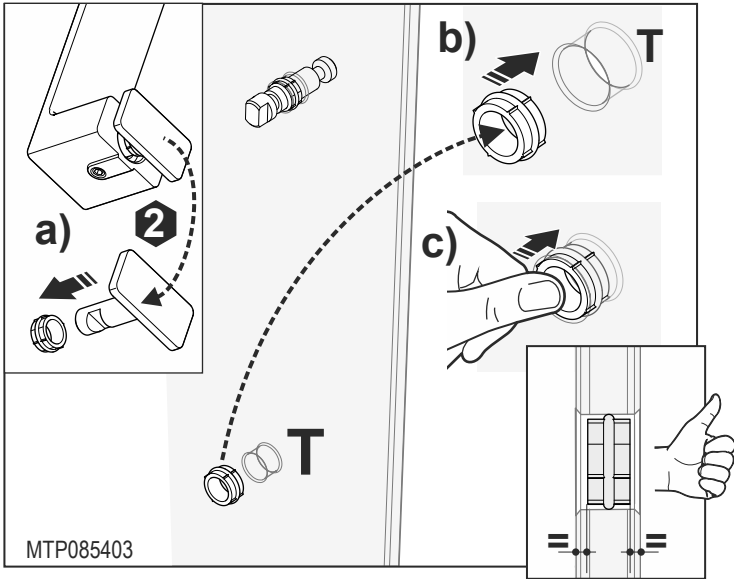


18

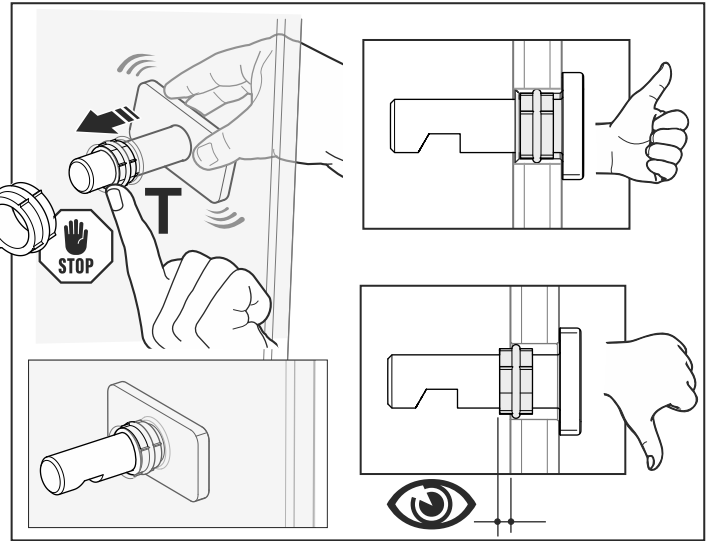




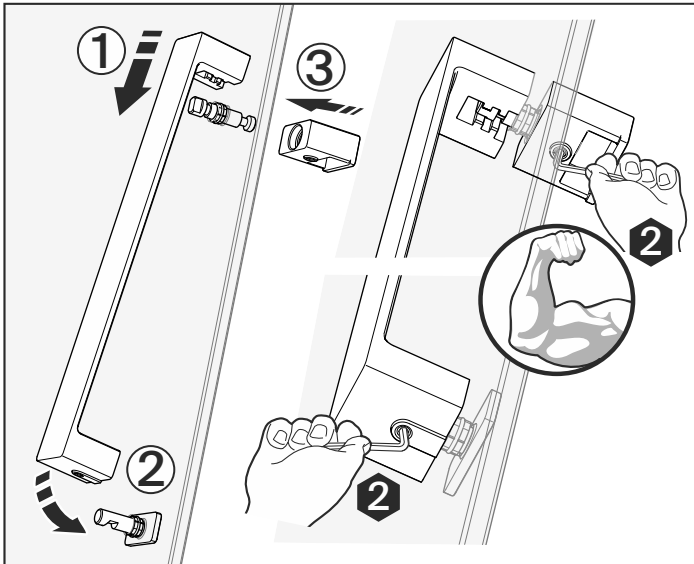
19



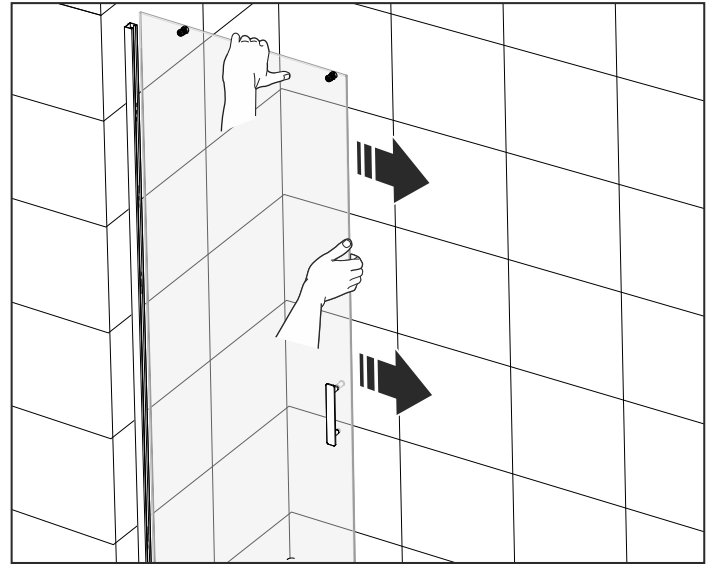
20



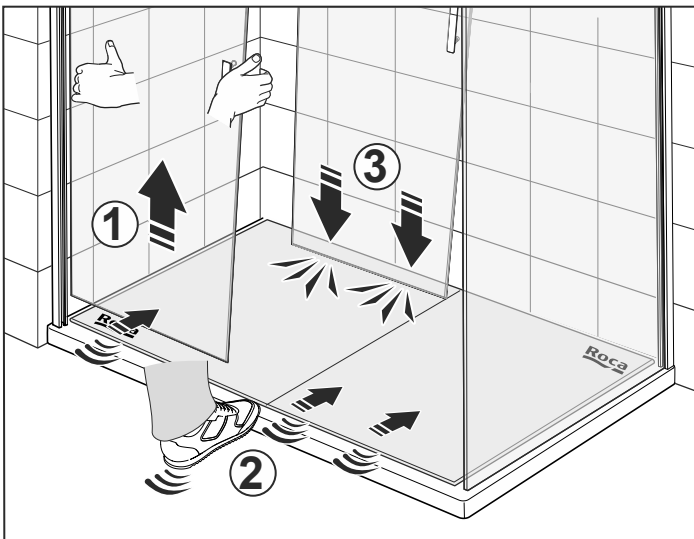
21



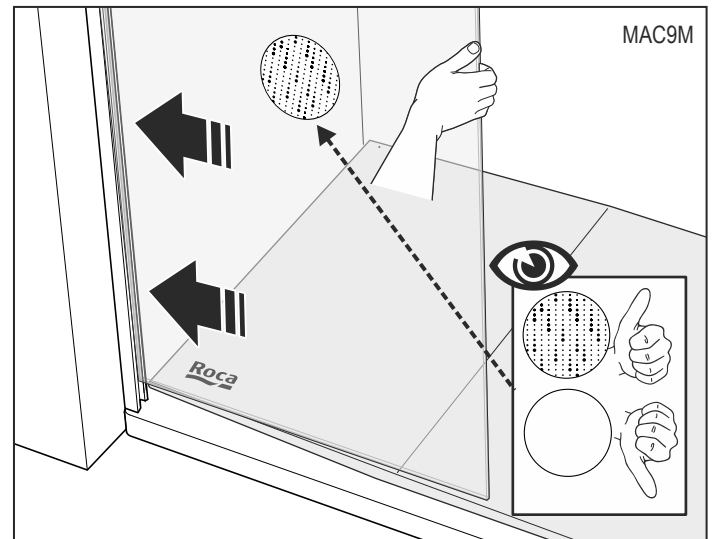
22



23

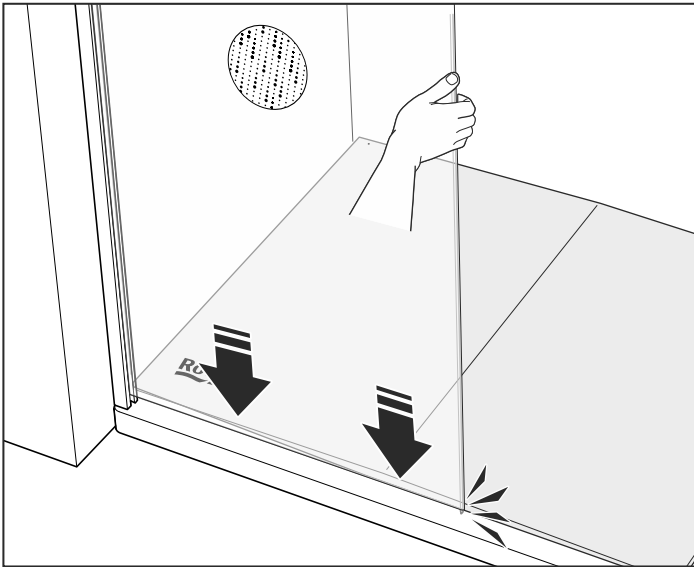


24

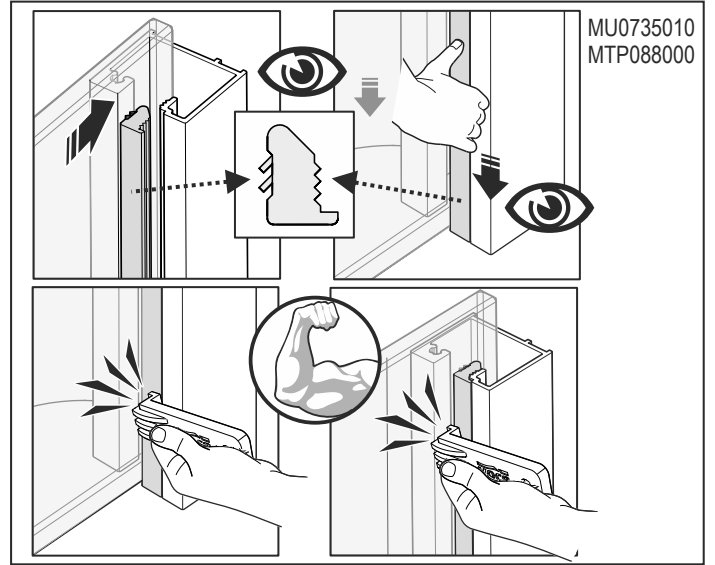




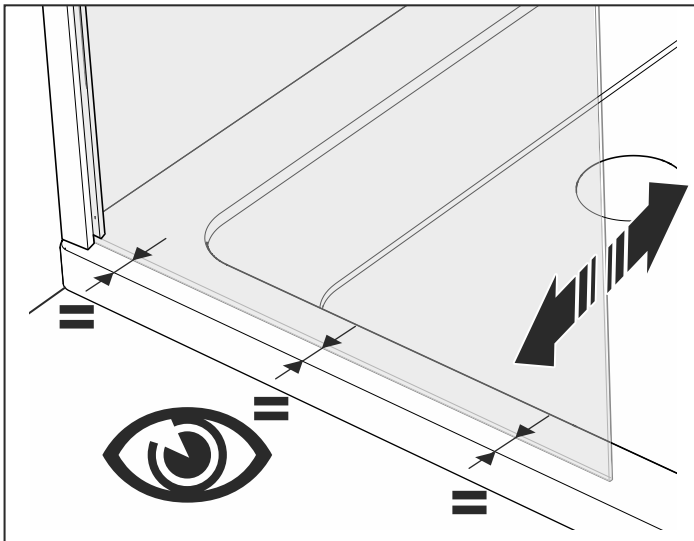
25



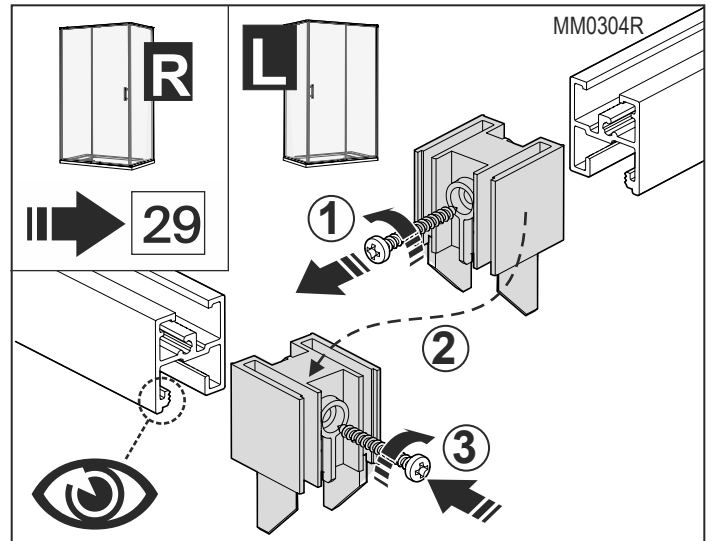
26



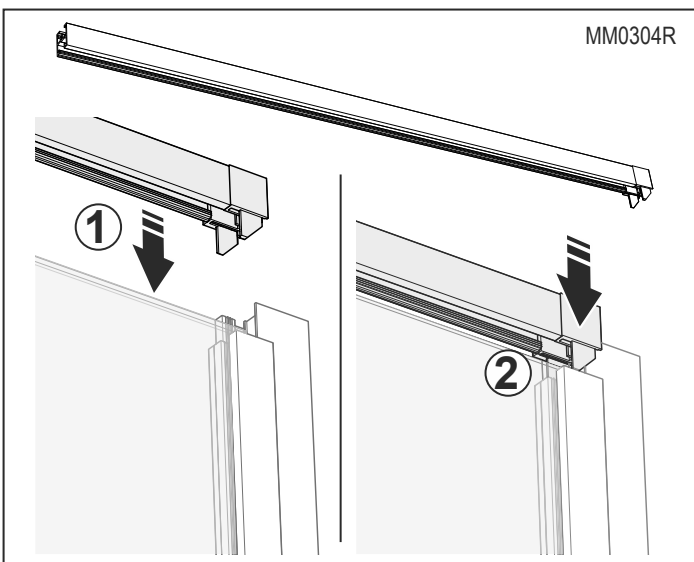
27



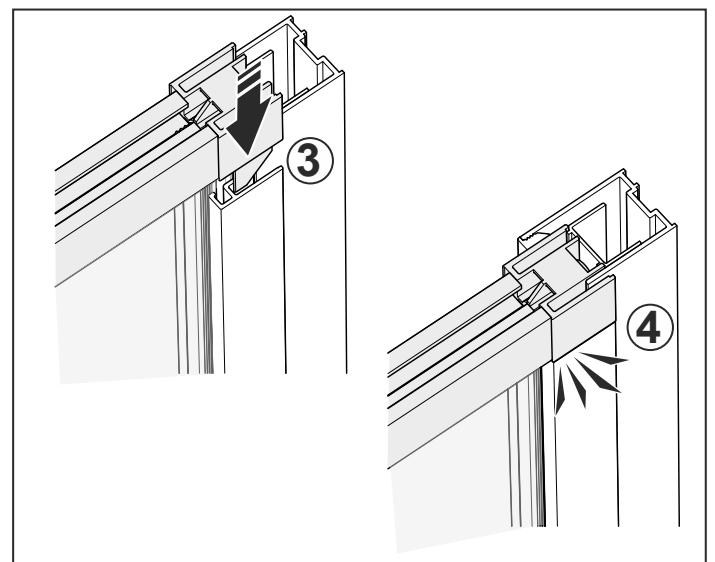
28



29

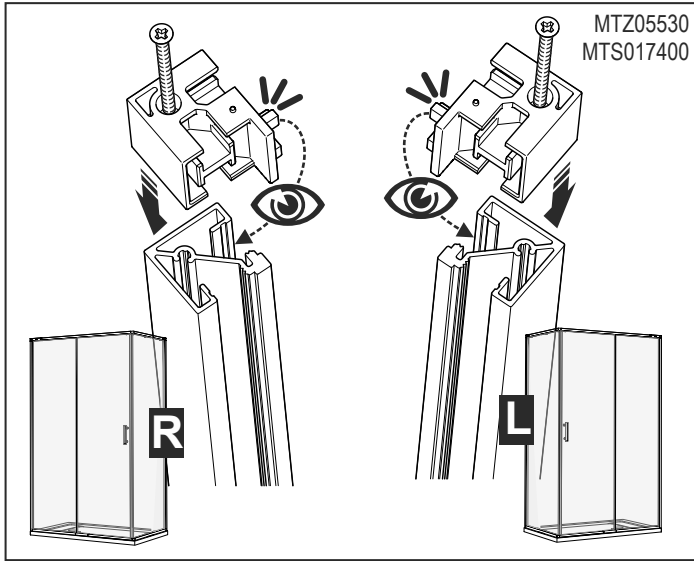


30

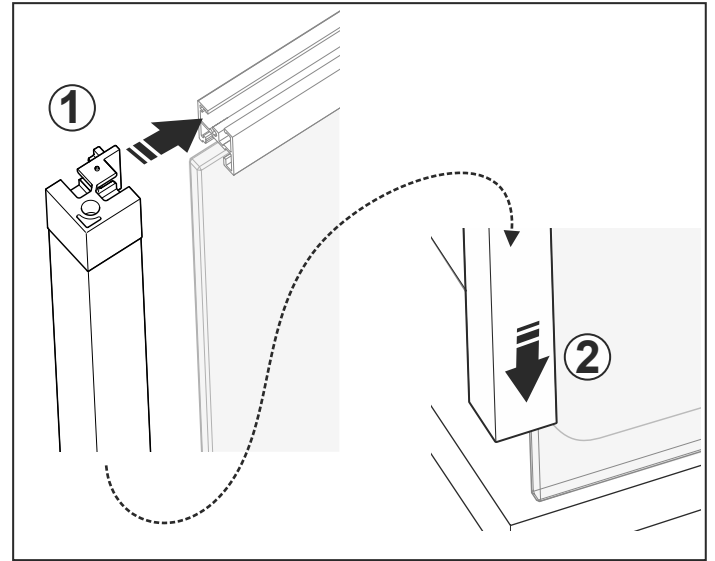




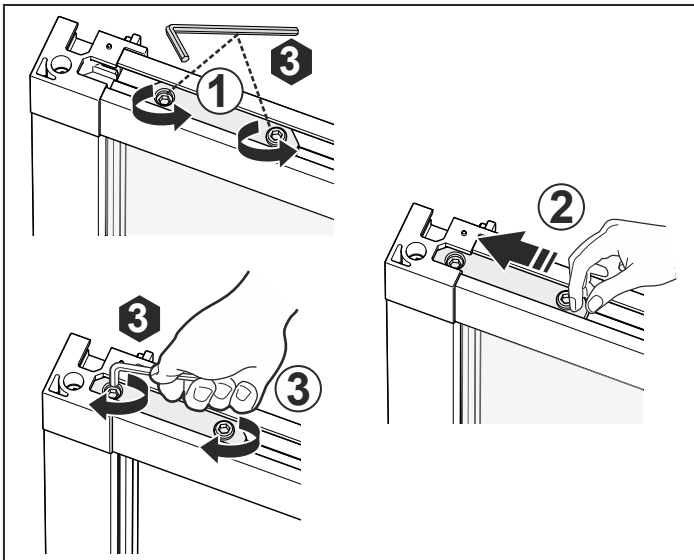
31



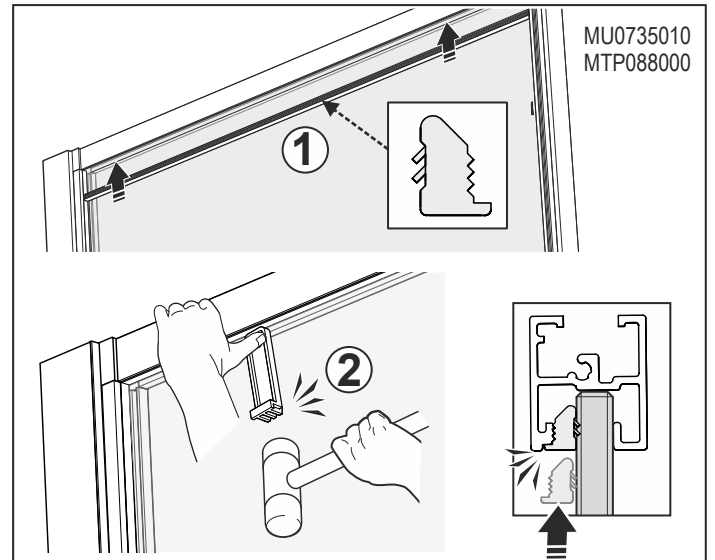
32



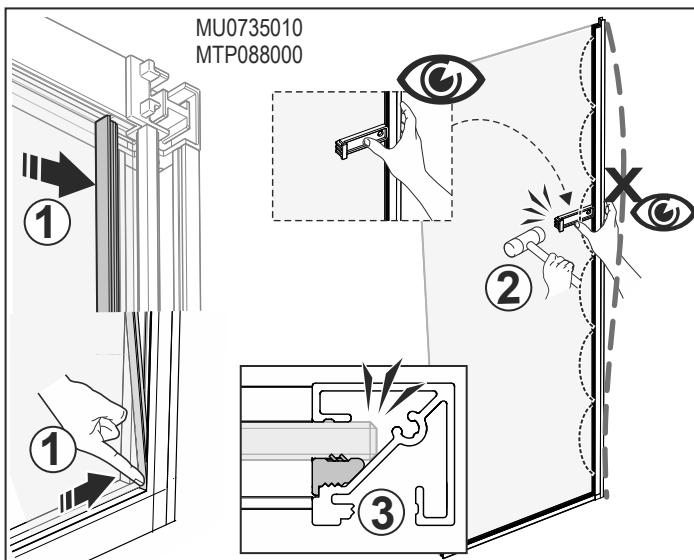
33



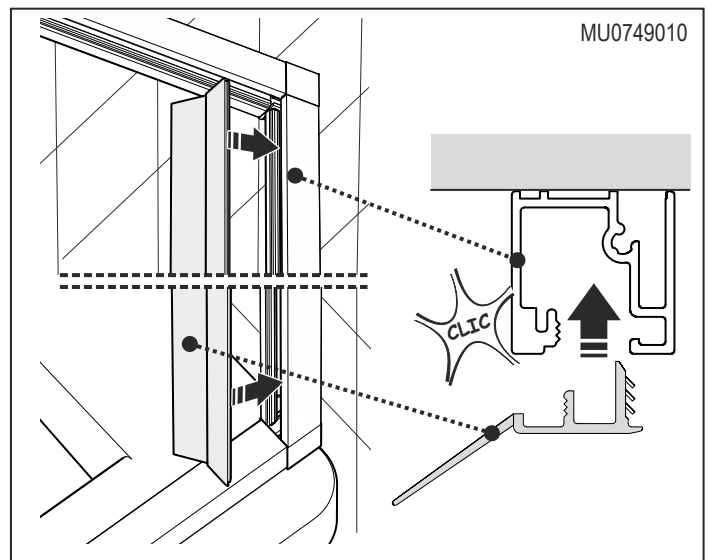
34



35

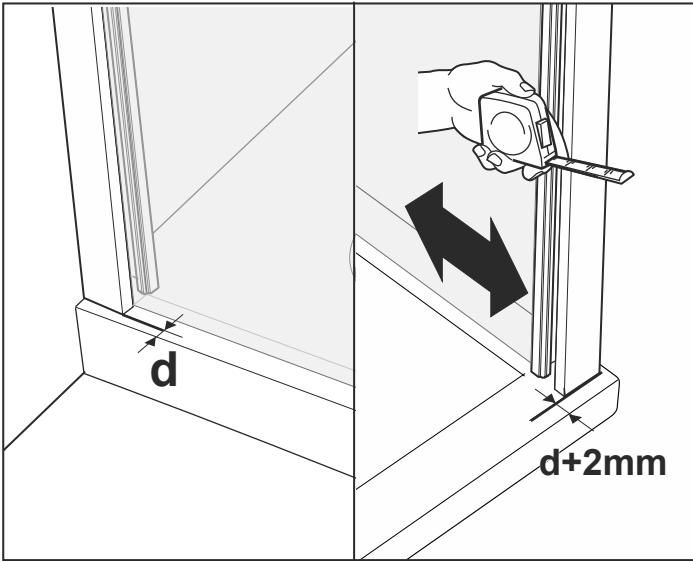


36

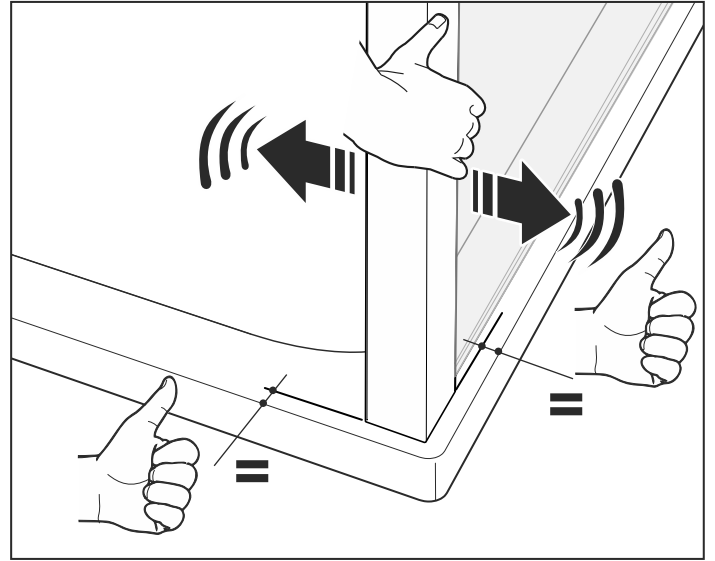




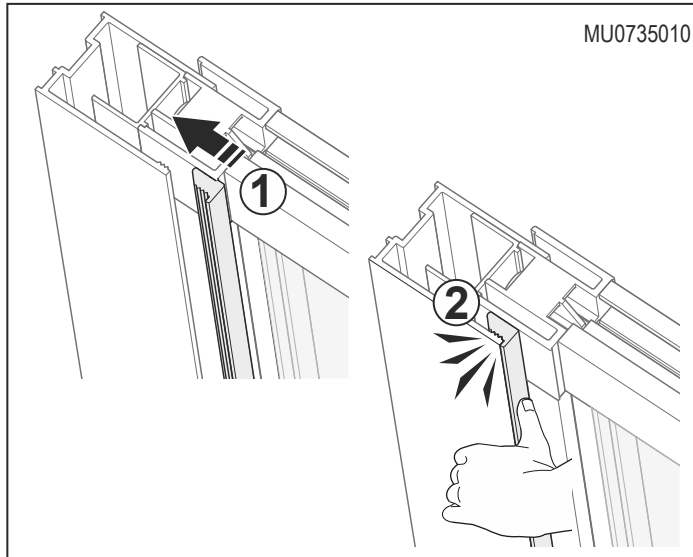
37



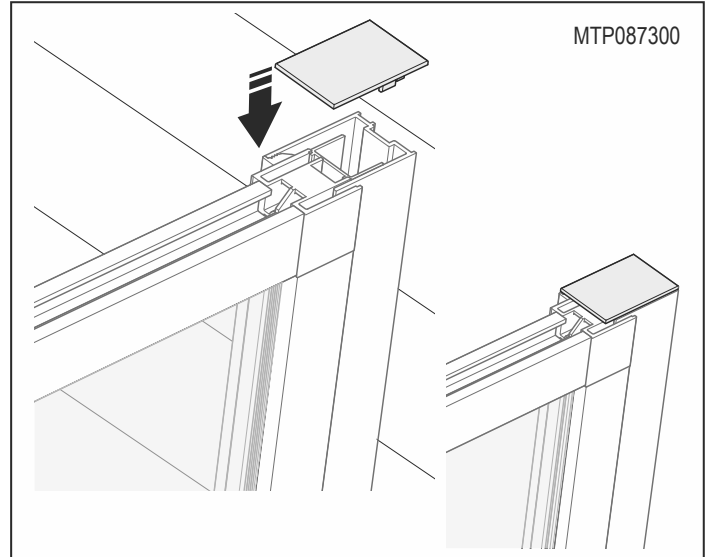
38



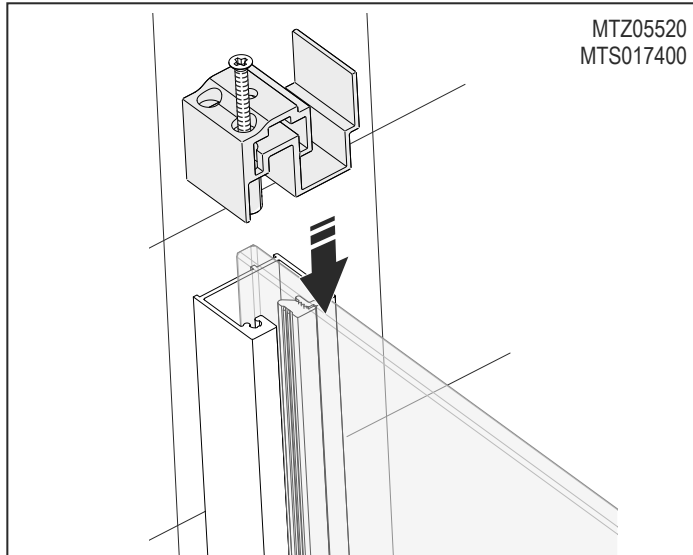
39



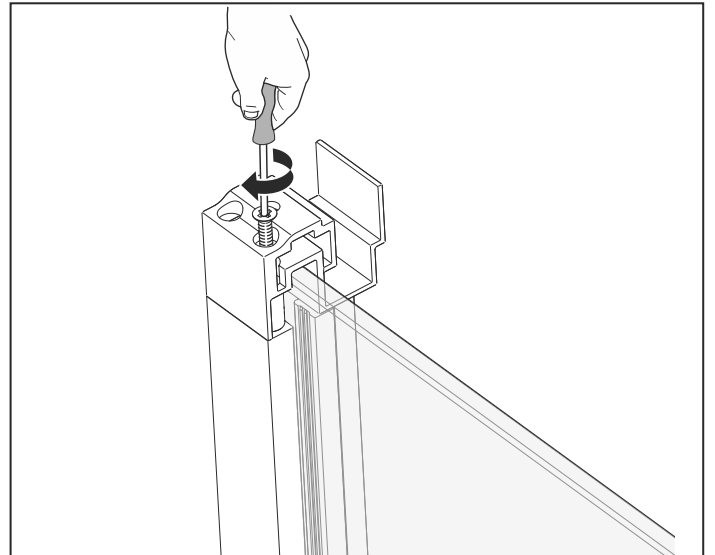
40



41

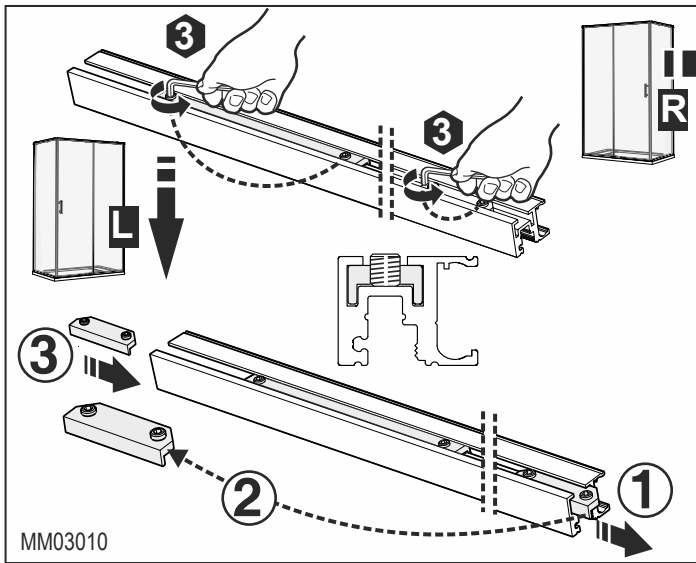


42

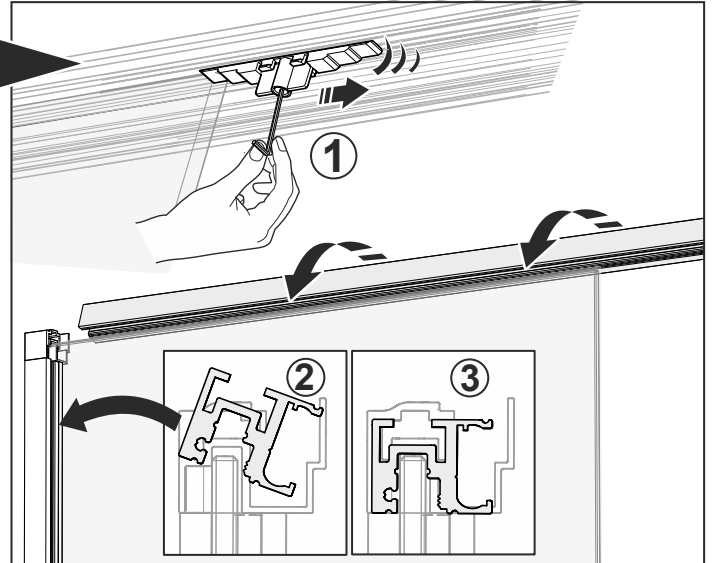




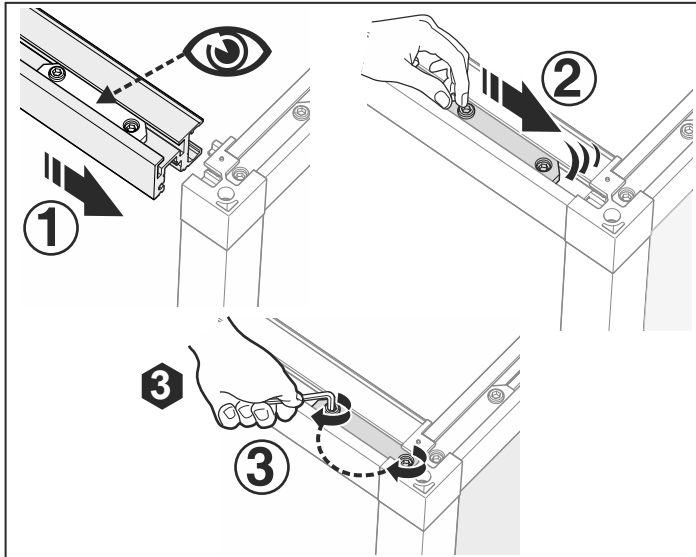
43



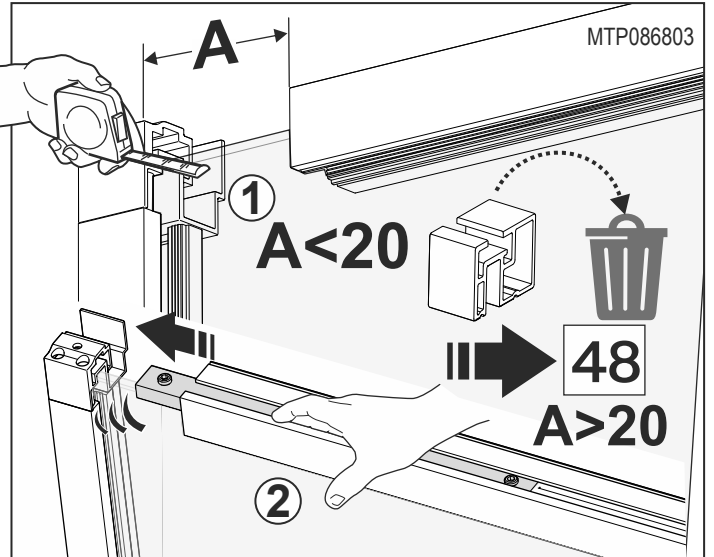
44



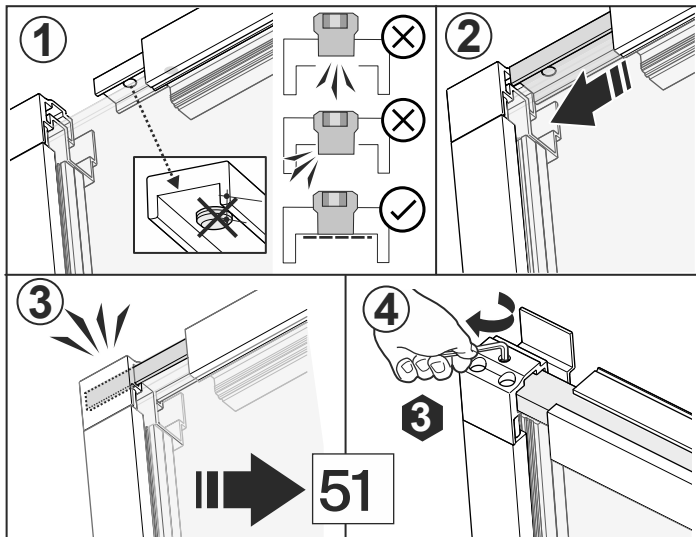
45



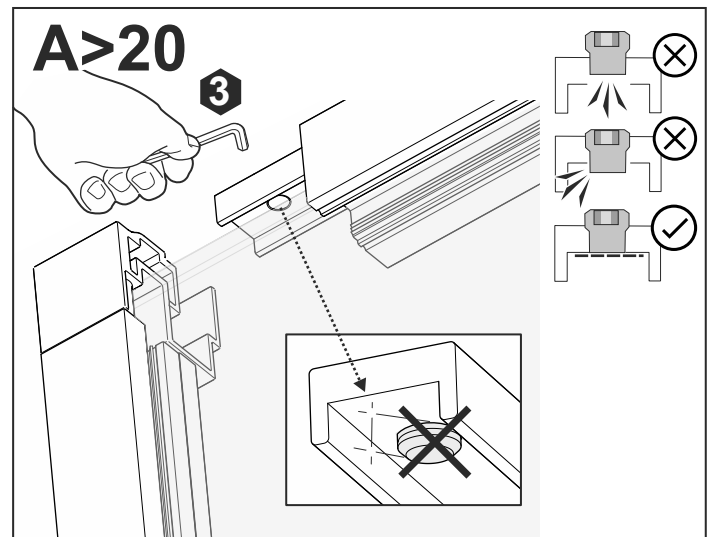
46



47

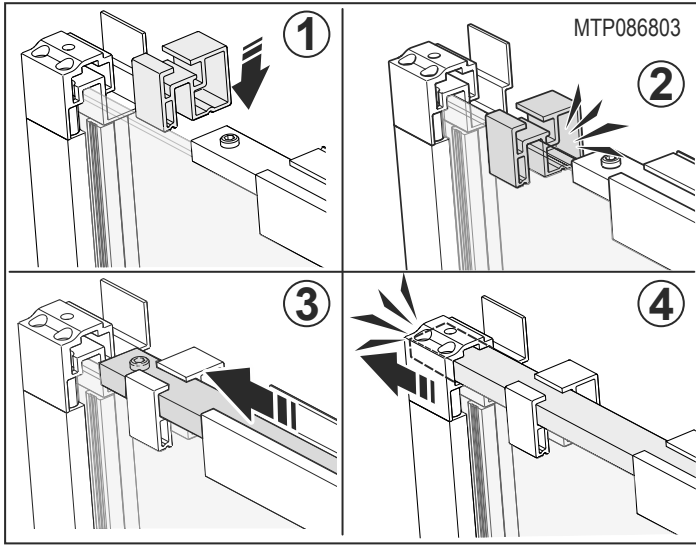


48

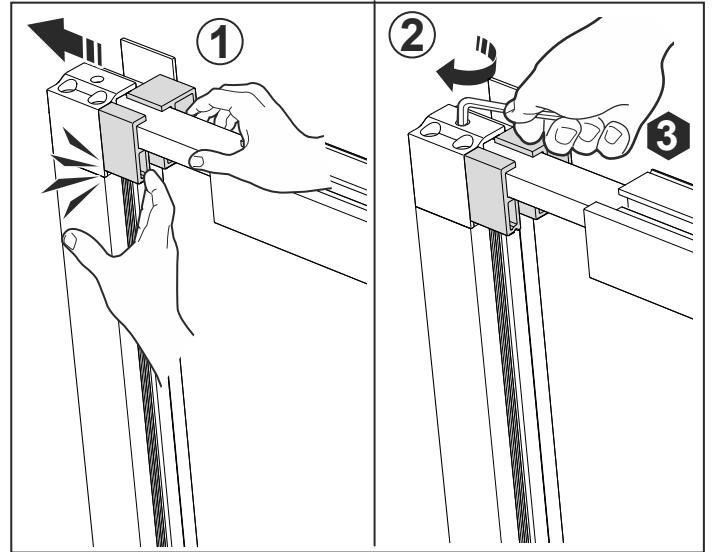




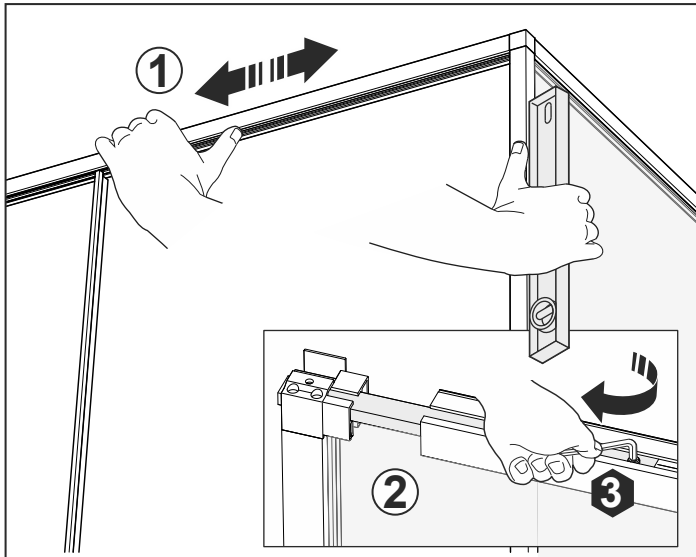
49



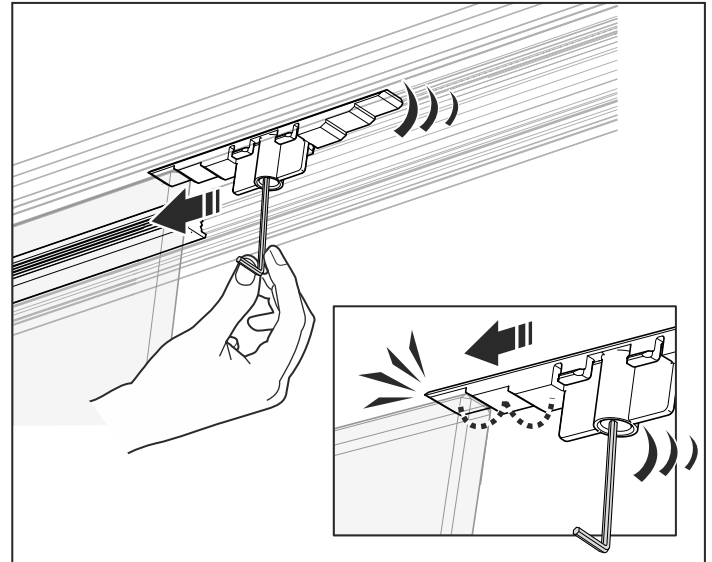
50



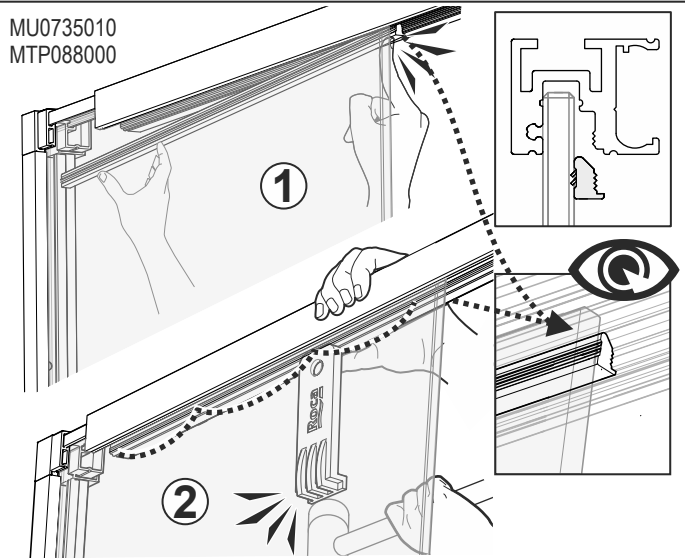
51



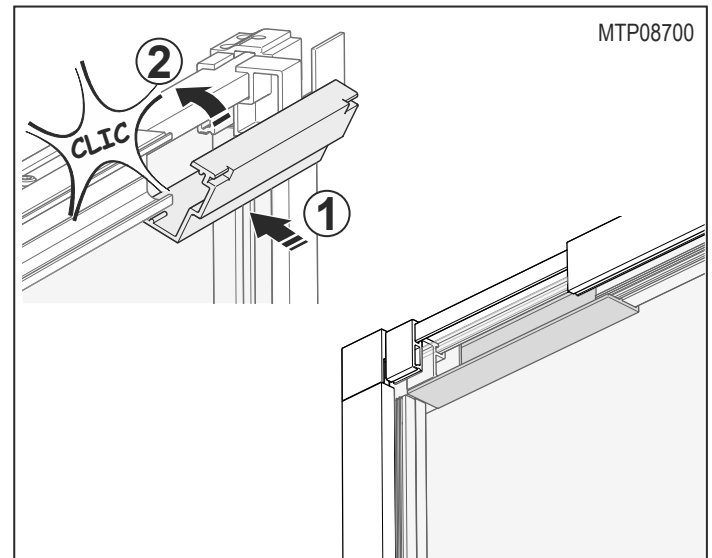
52



53



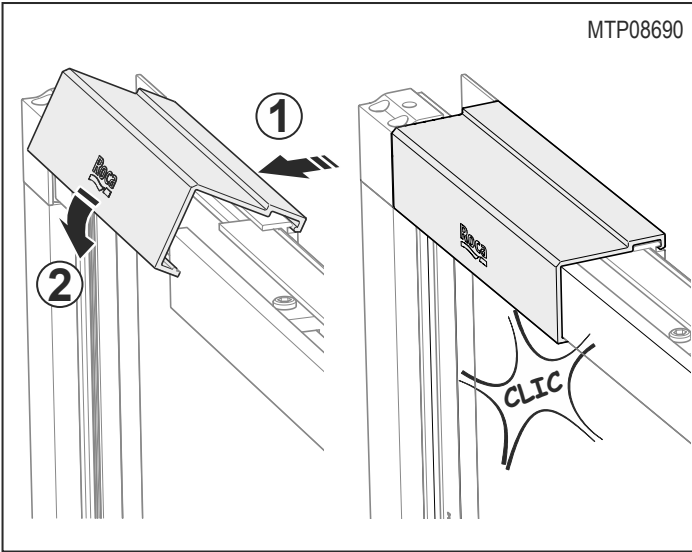
54





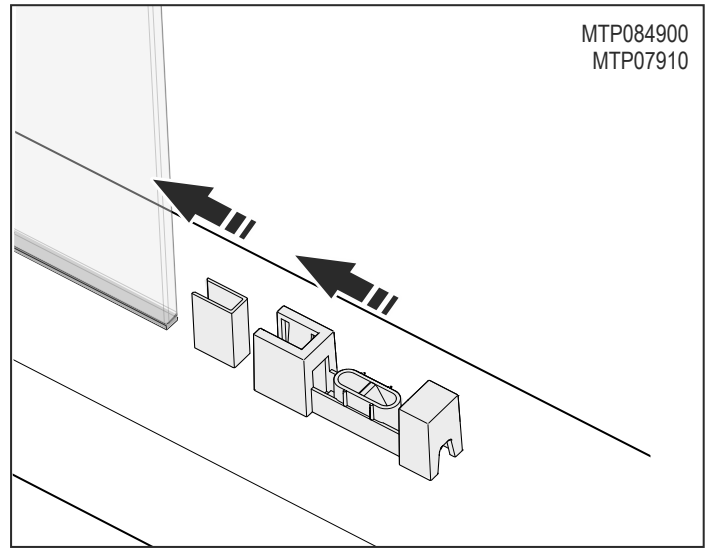
55

MTP08690



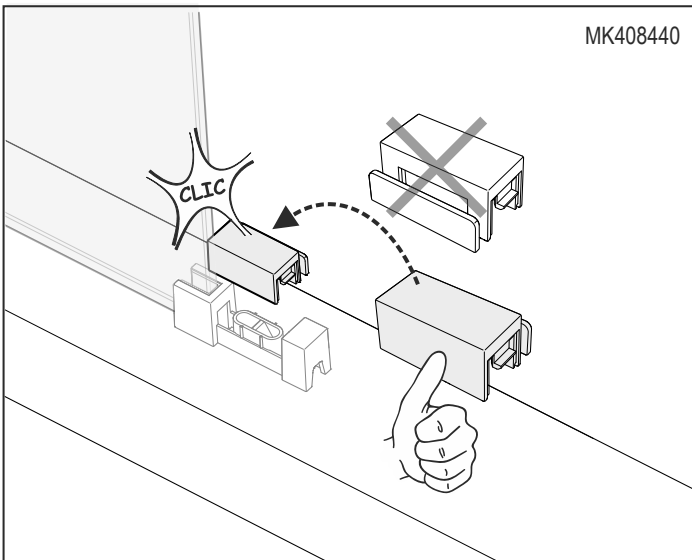
56

MTP08490
MTP07910



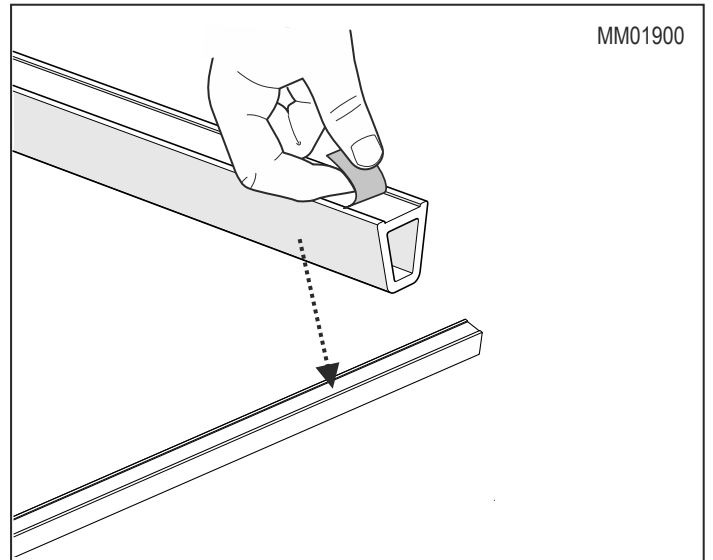
57

MK408440



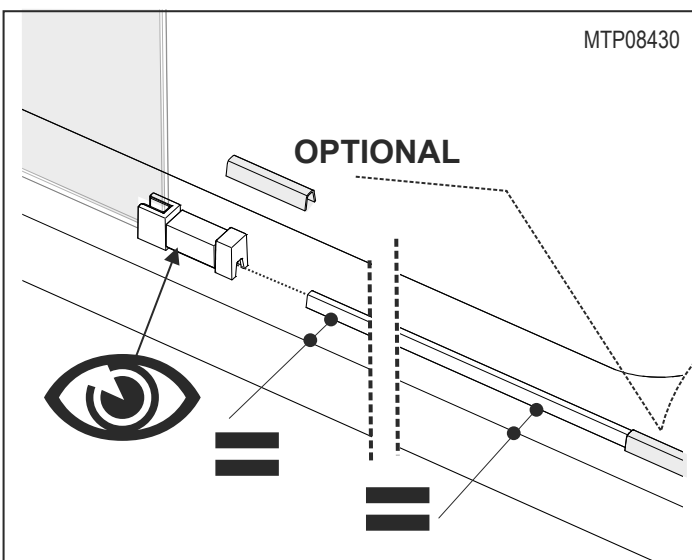
58

MM01900

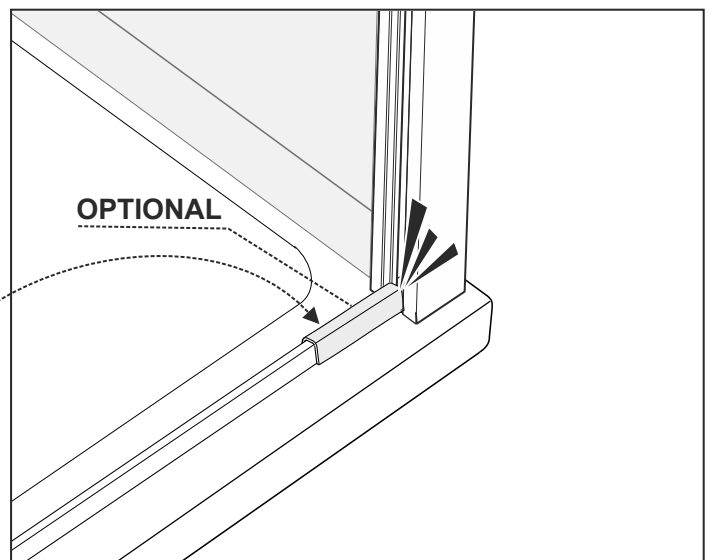


59

MTP08430

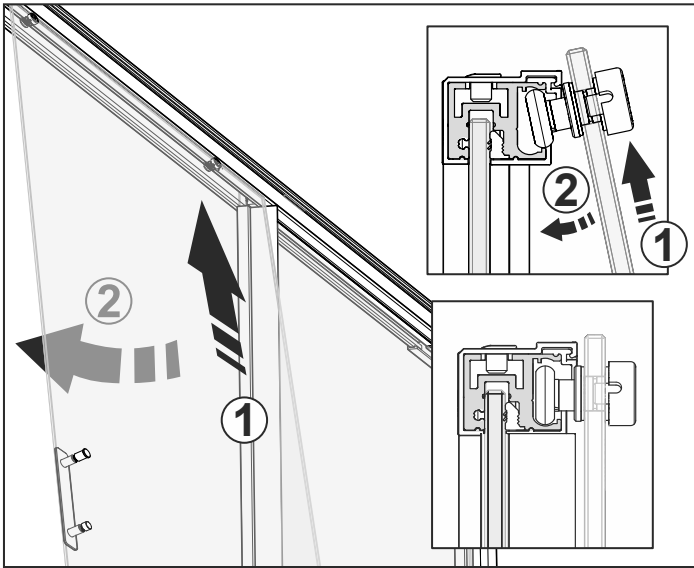


60

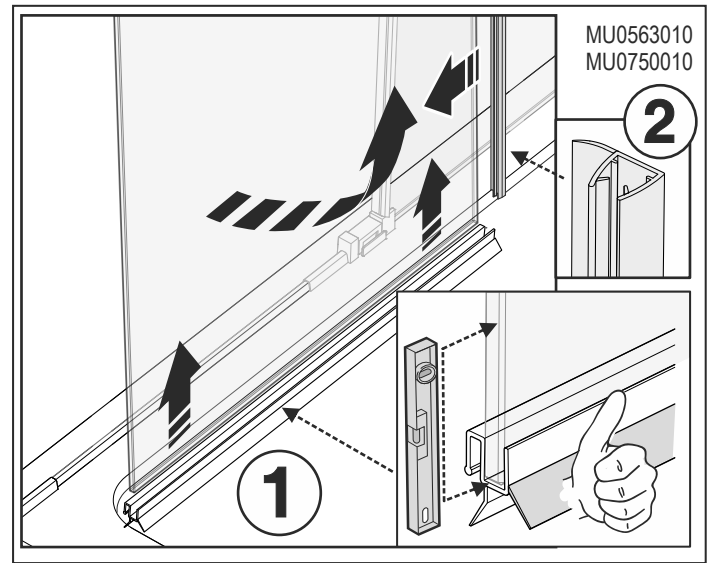




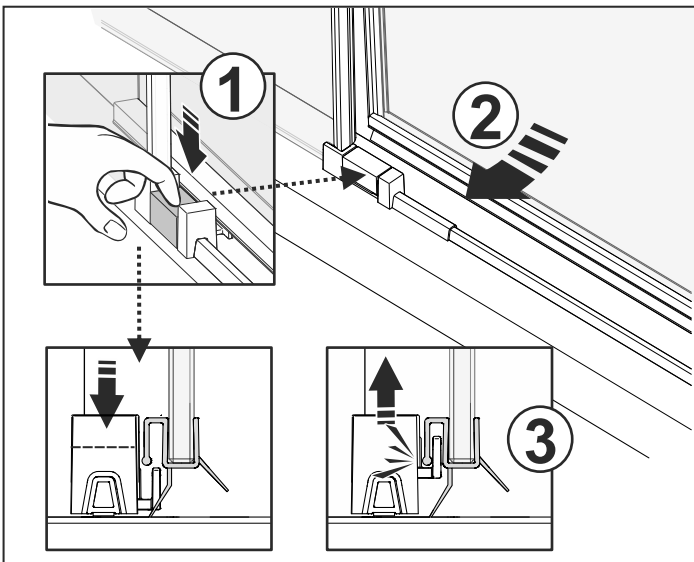
61



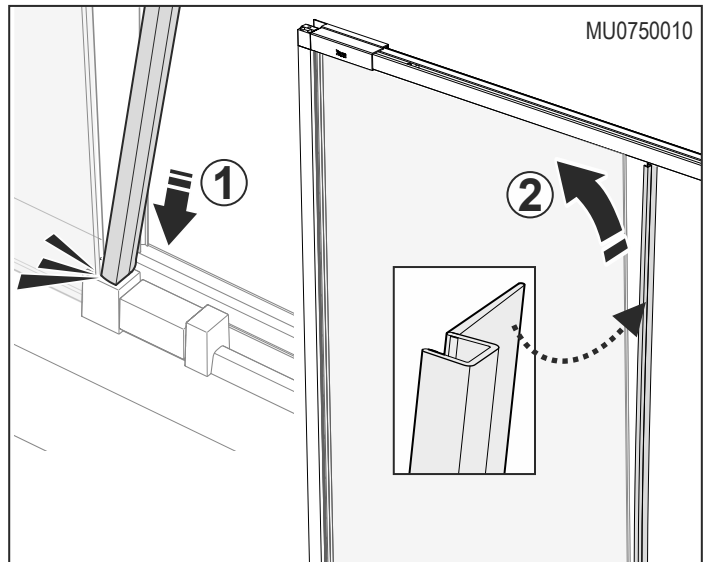
62



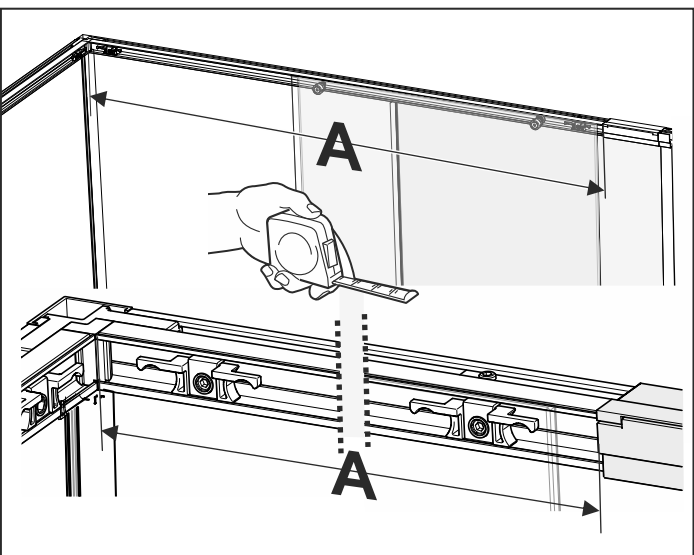
63



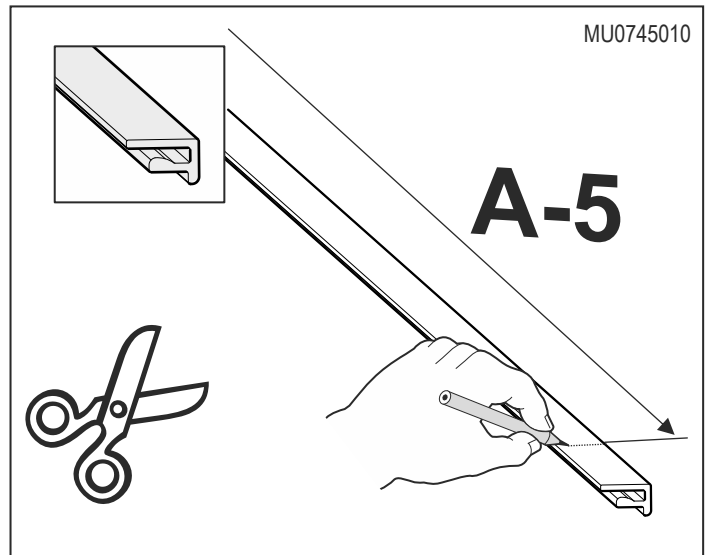
64



65

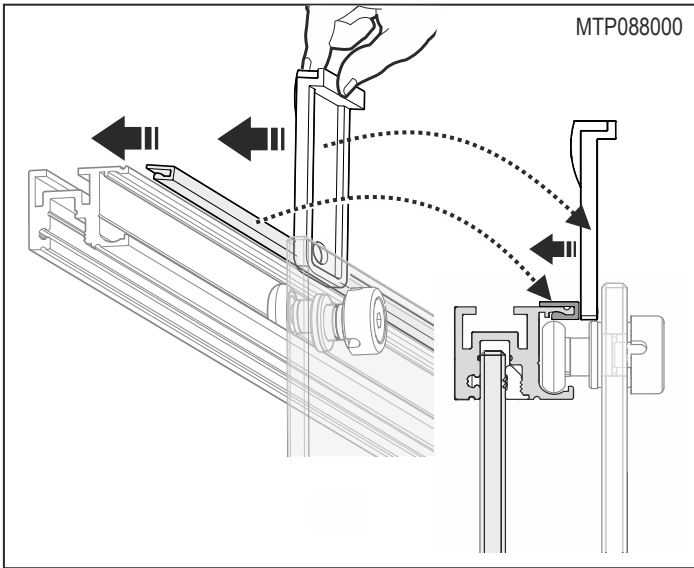


66

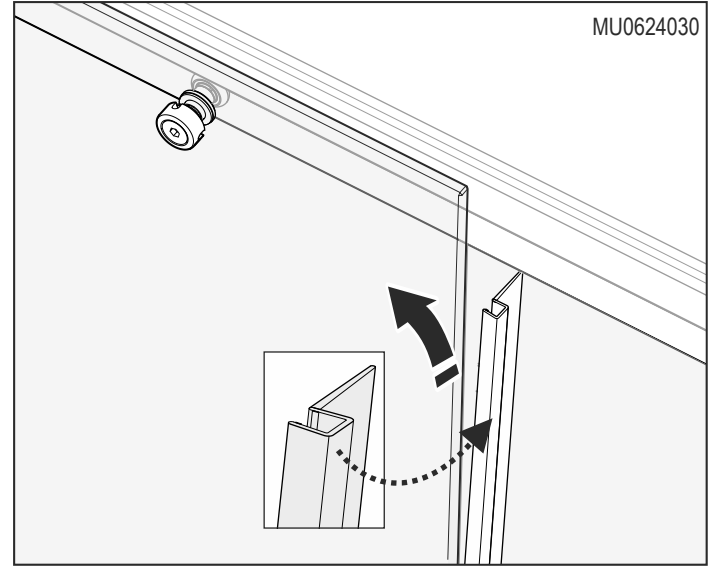




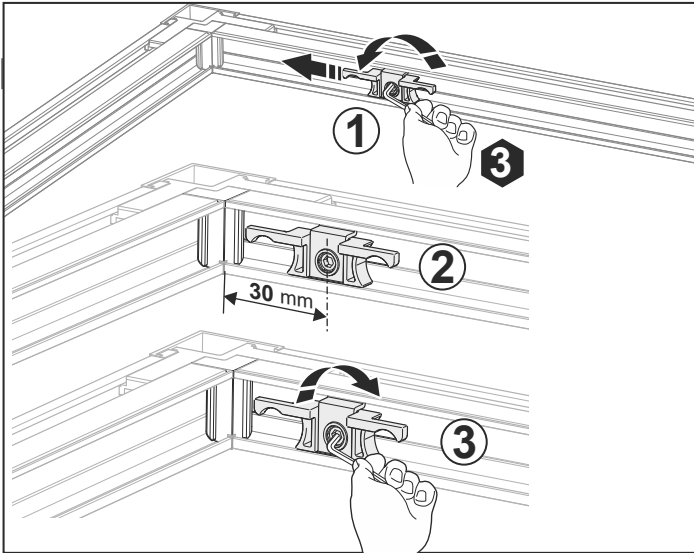
67



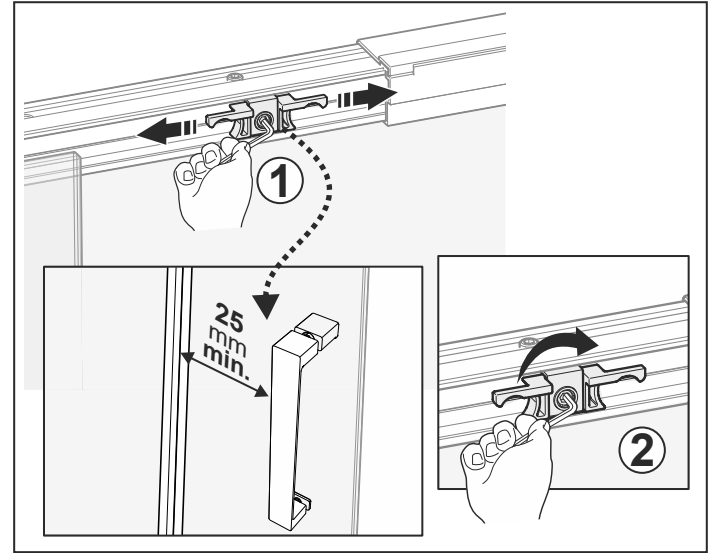
68



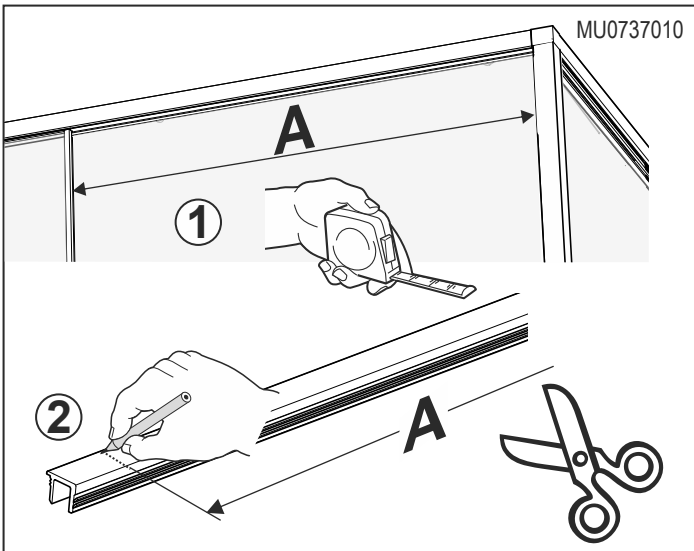
69



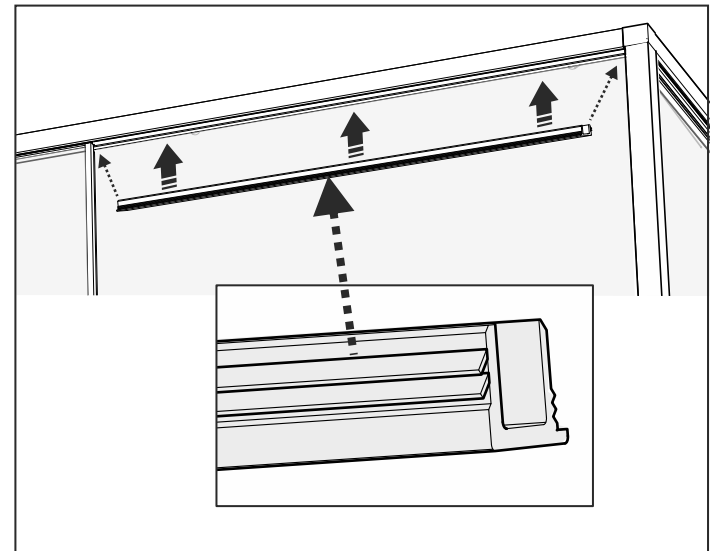
70



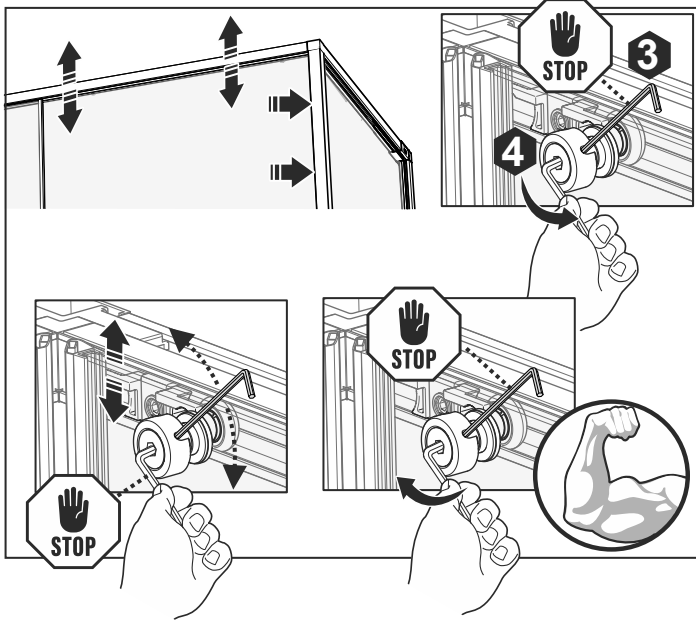
71



72



73



74

