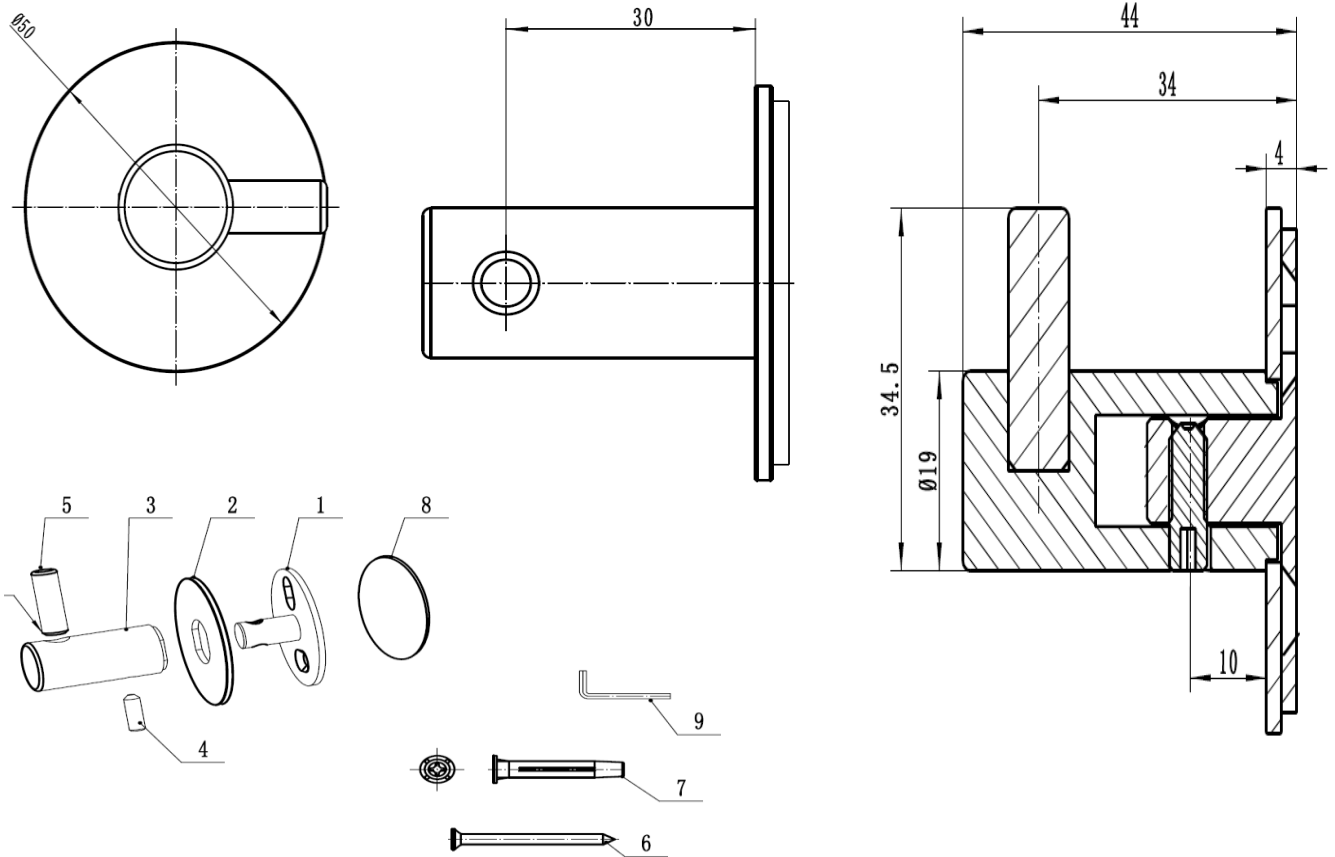


# BOM List for Products

<b>ADEO Ref</b>	845057
<b>EAN Code</b>	3276000547501

## Explosion Drawing

单位: mm



Parts No.	Quantity	Spec	Material & Surface process
1	1	/	aluminium alloy with powder coating
2	1	/	steel with powder coating
3	1	/	Betulaceae
4	1	M5X14	SS
5	1	Ø8x24	Steel with power coating
6	2	4.0X50	SS
7	2	Ø6x40	/
8	1	/	3M stick
9	1	/	Steel