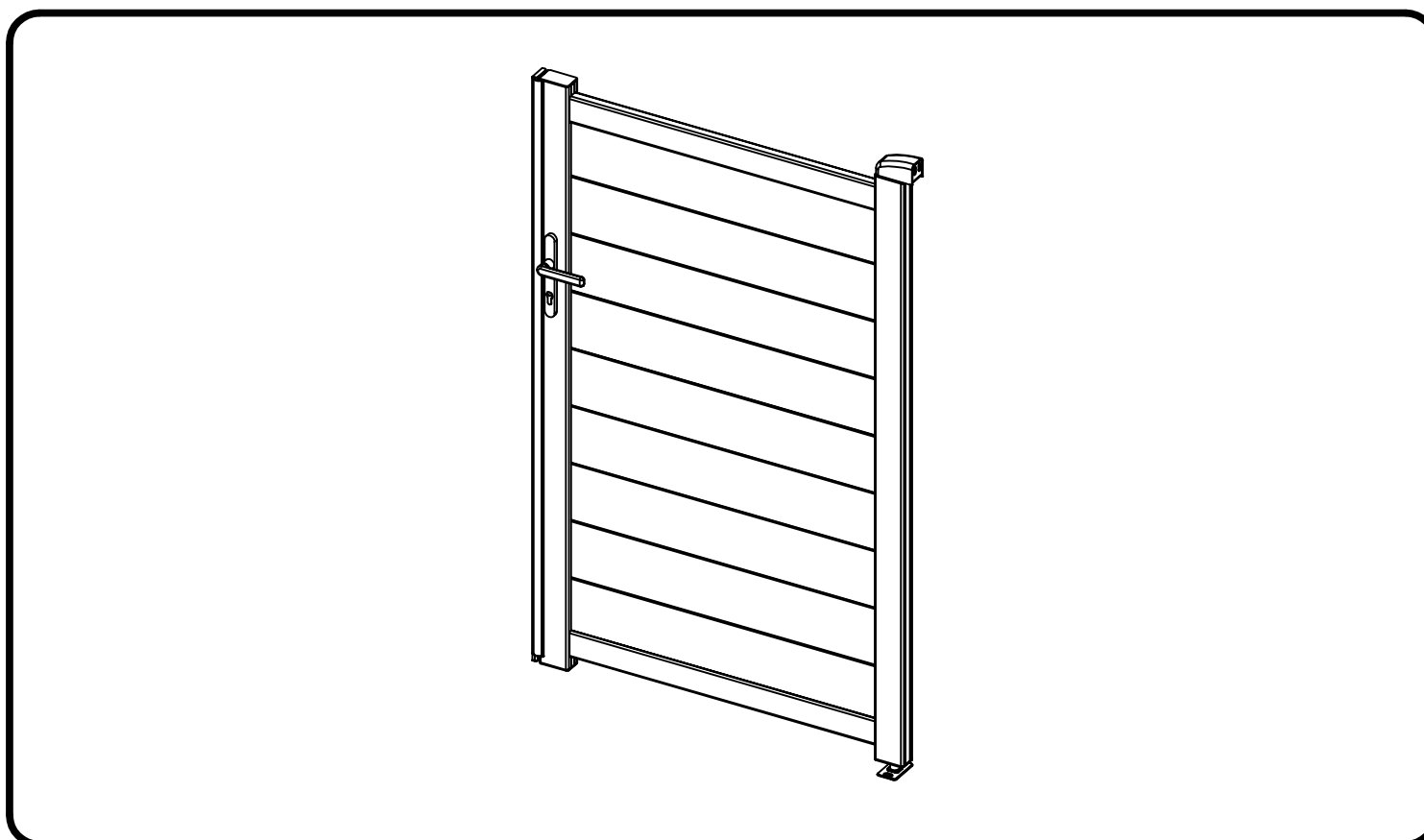


# CASANOV

## EIGER 100P160



3-5H



x2

STI-000005

[x1]

FR

EN

ES

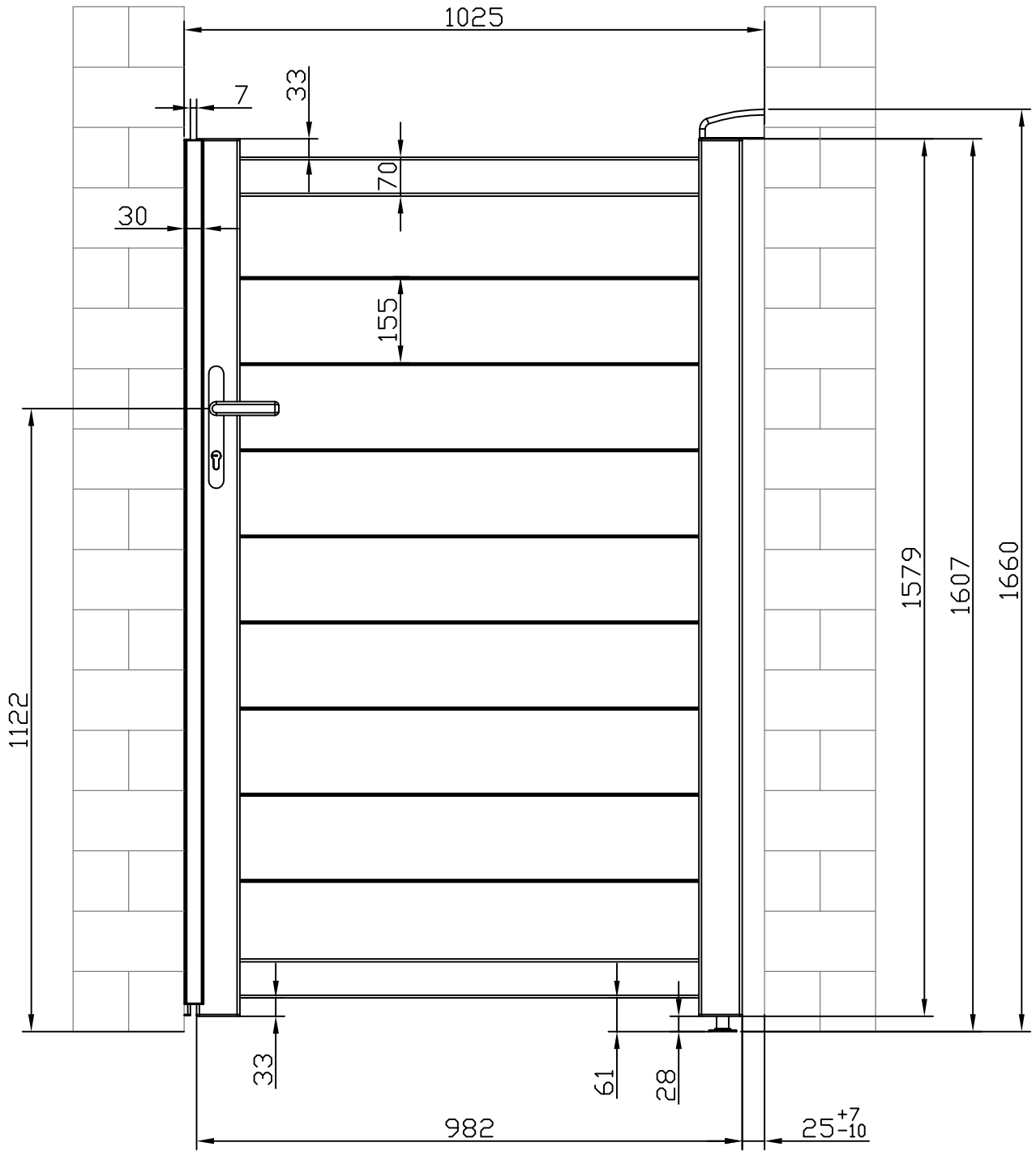
DE

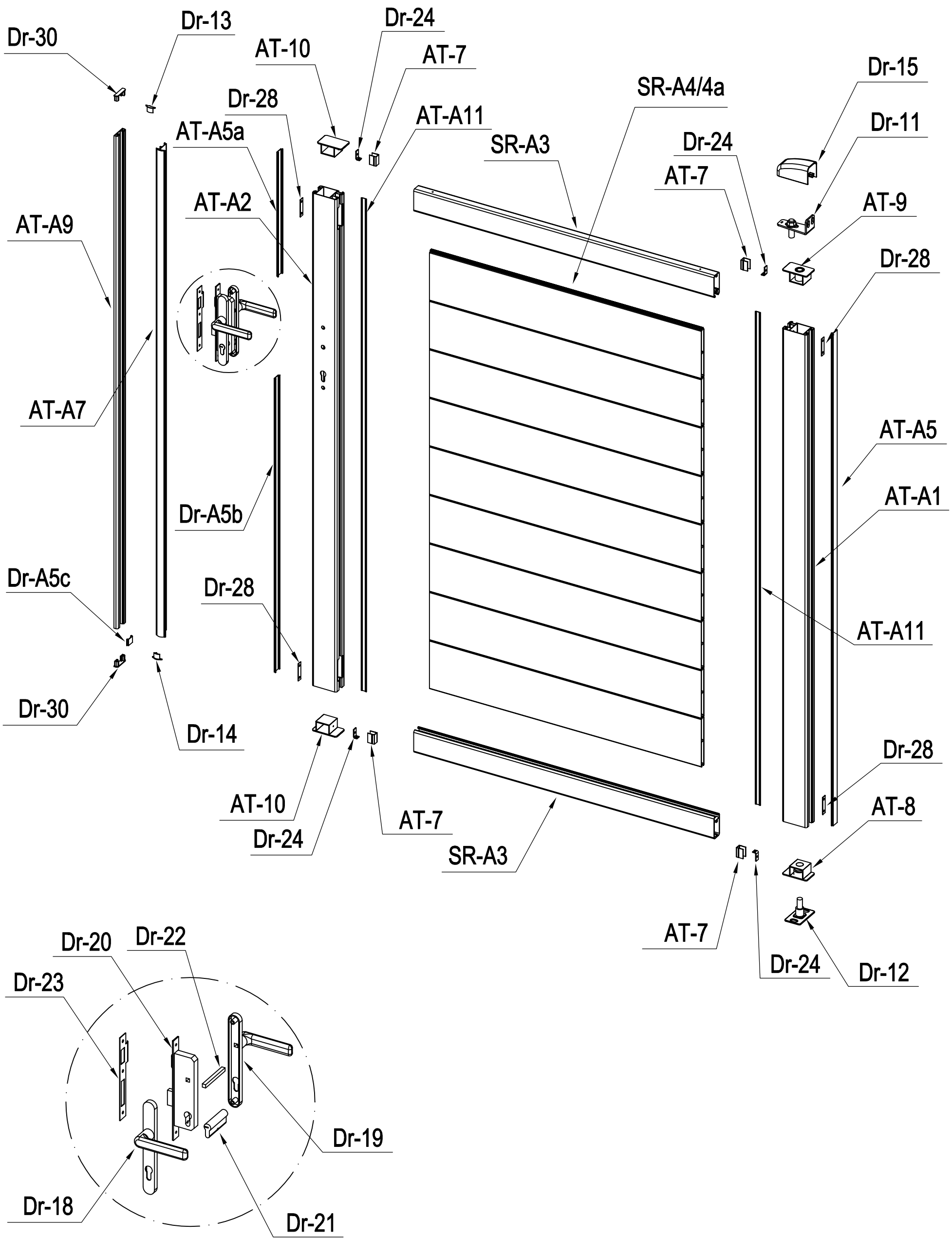
IT

NL

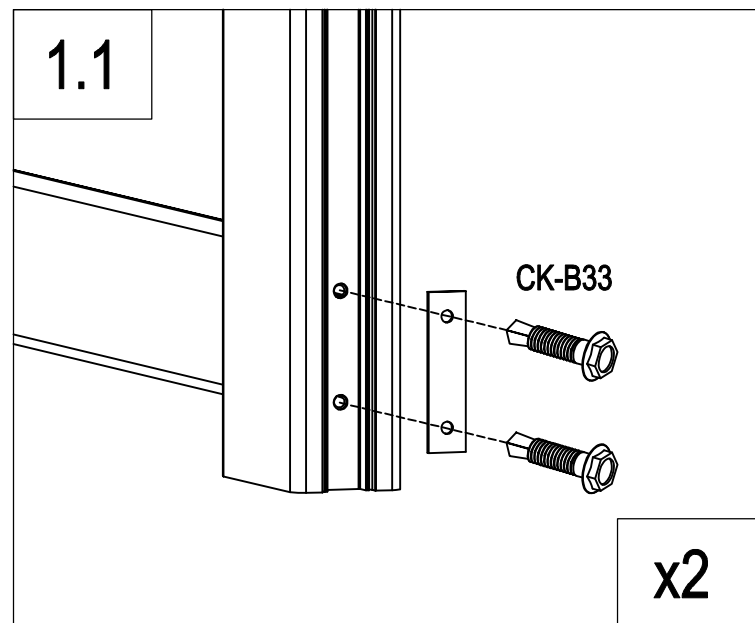
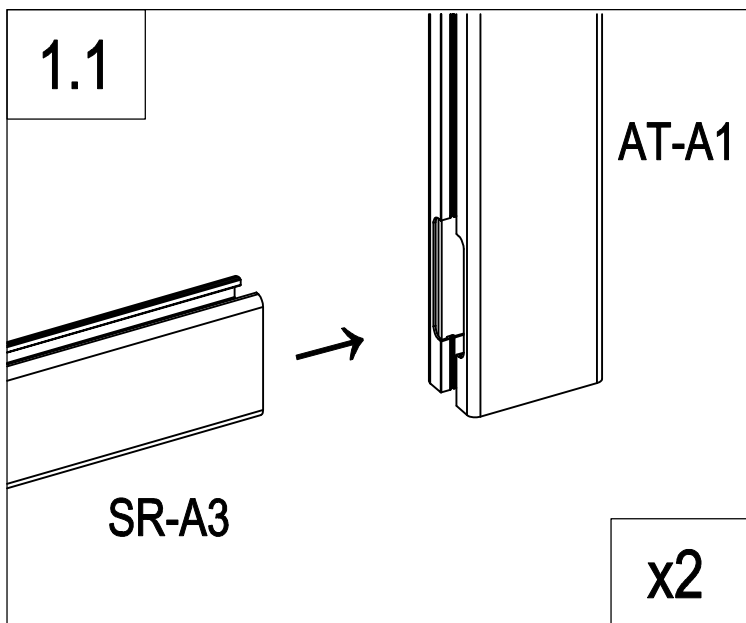
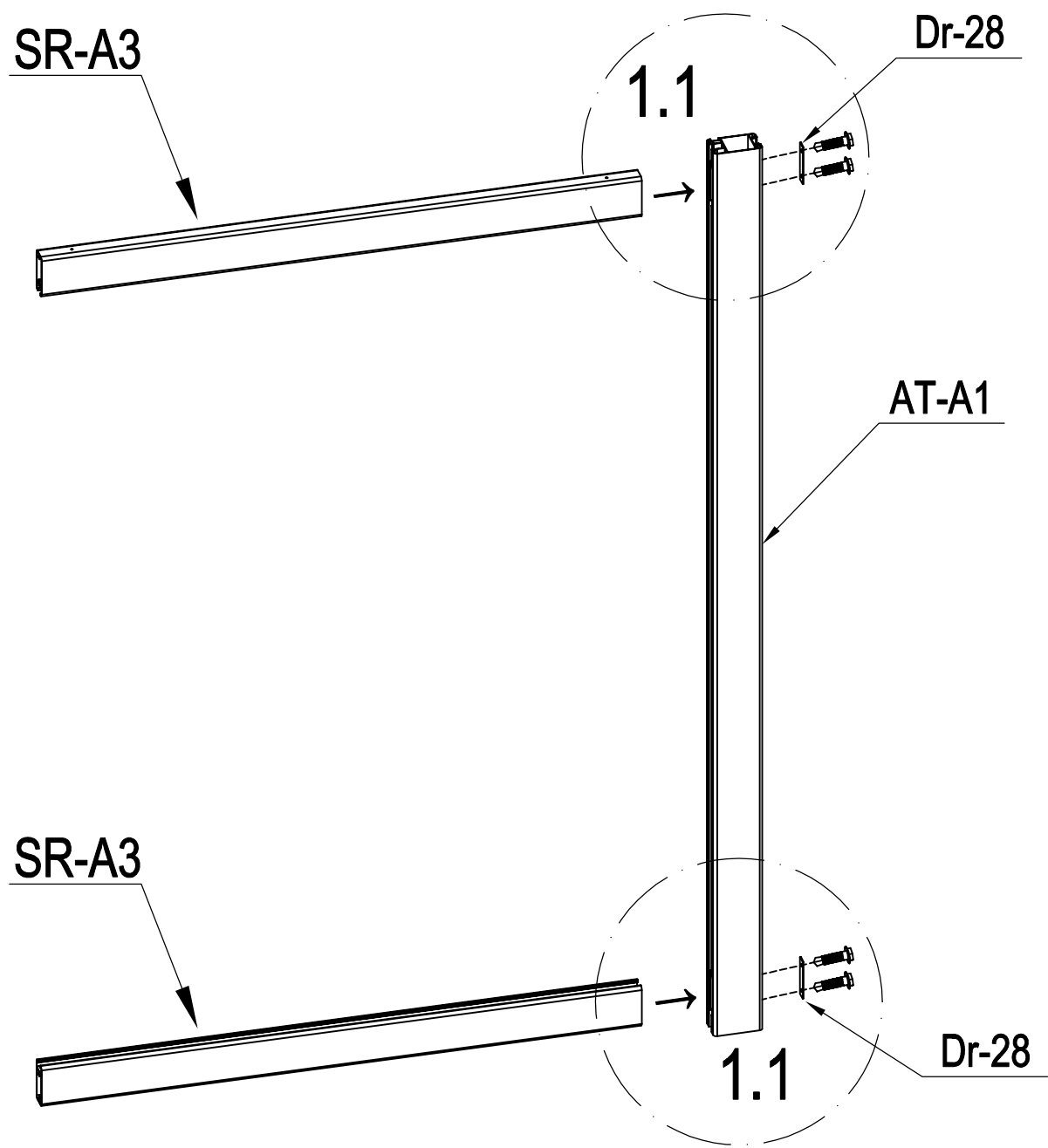
PL

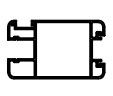
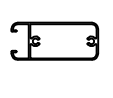

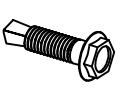


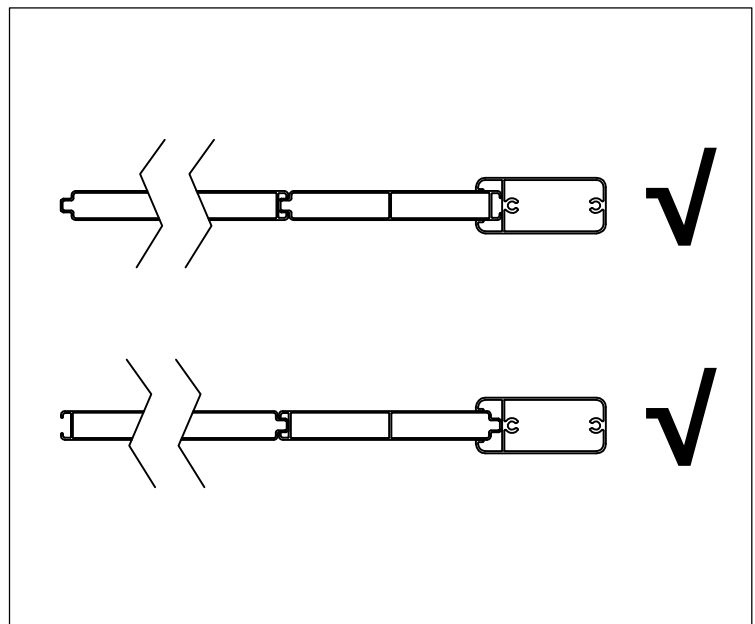
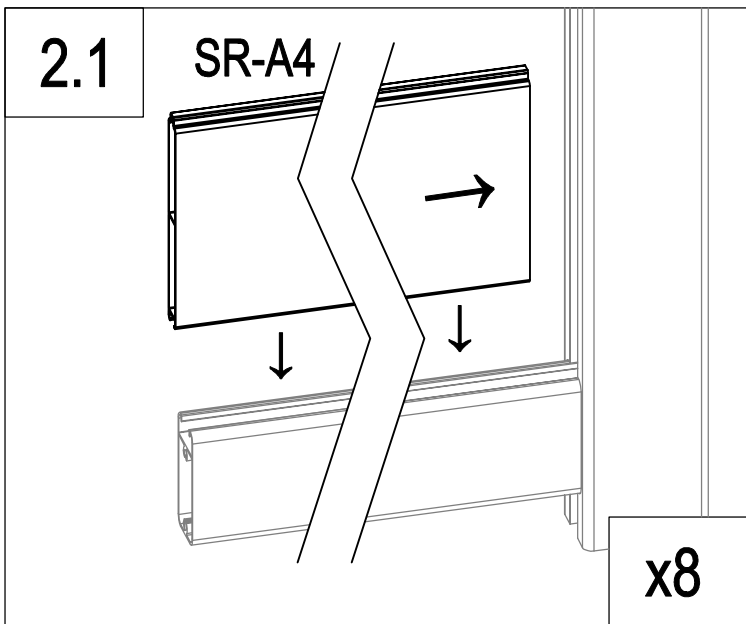
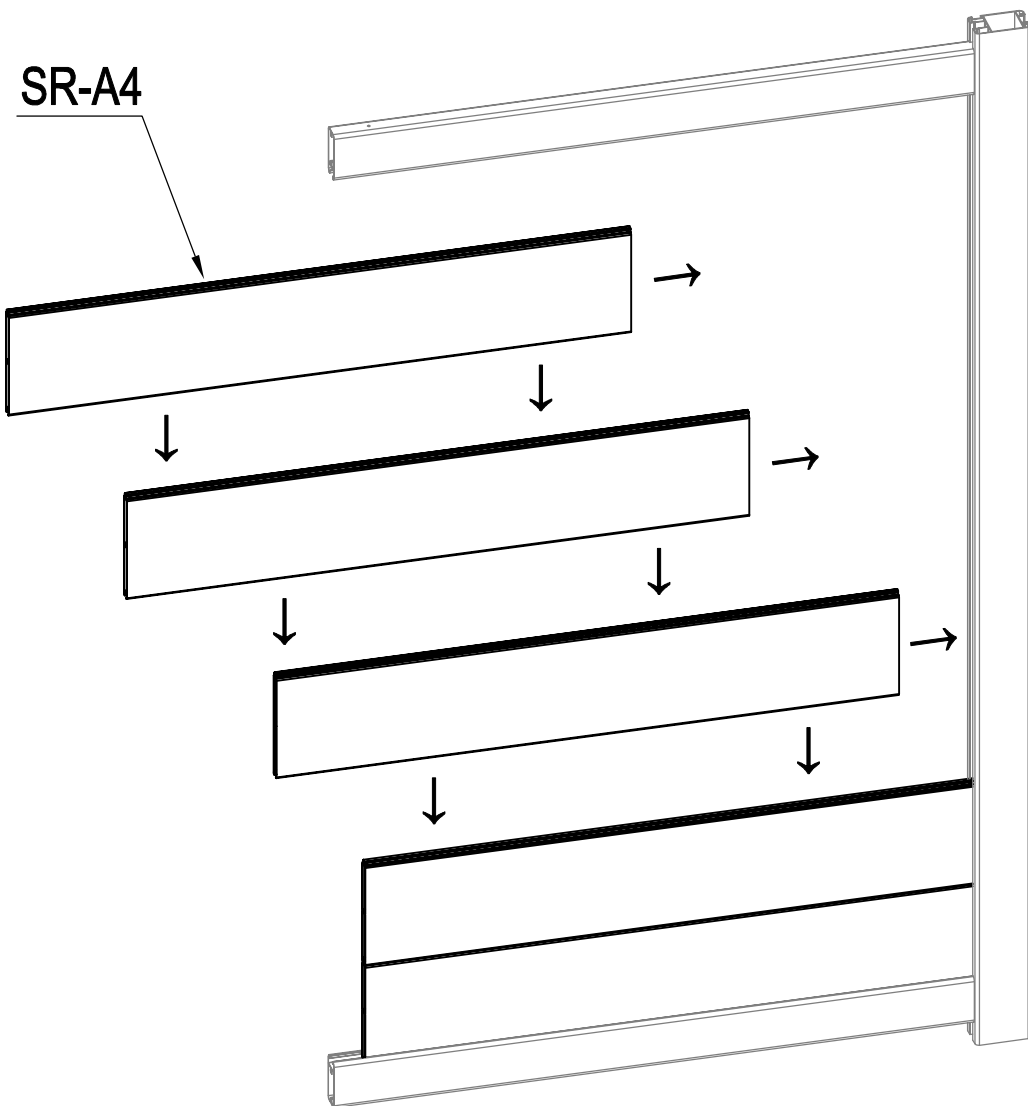


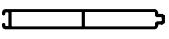


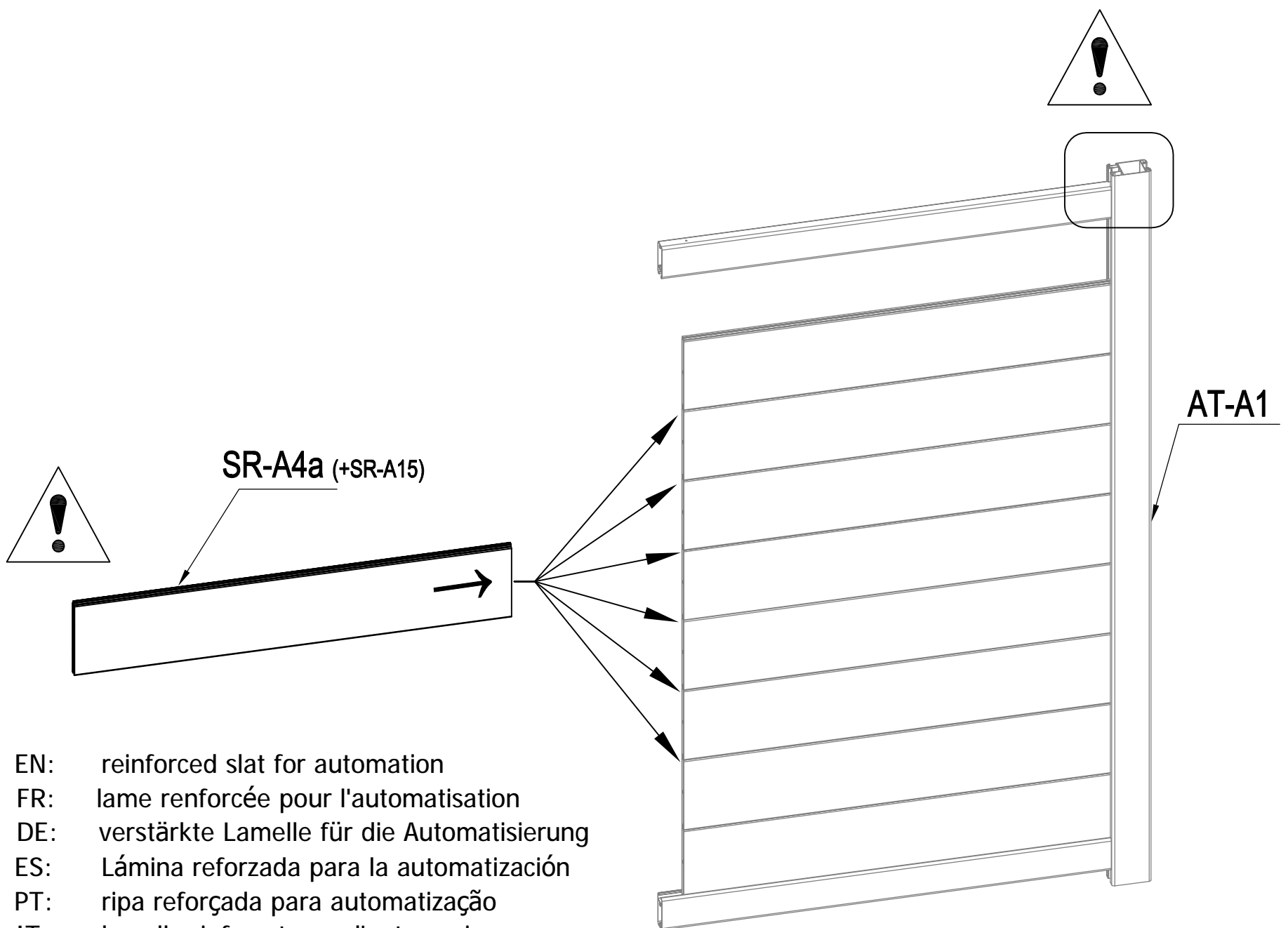




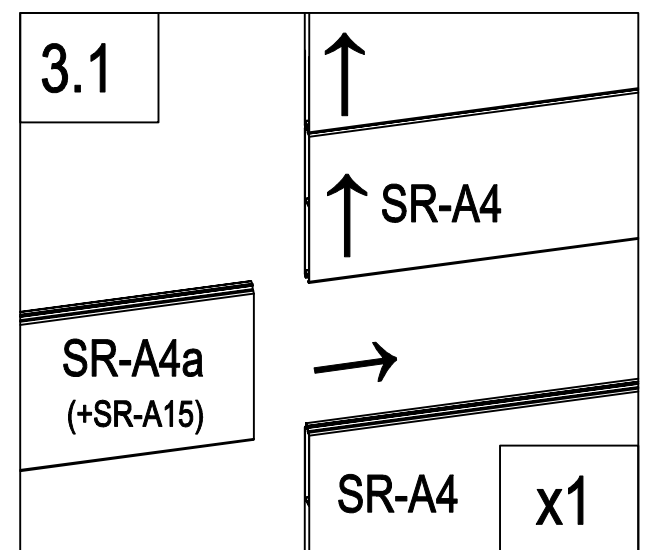
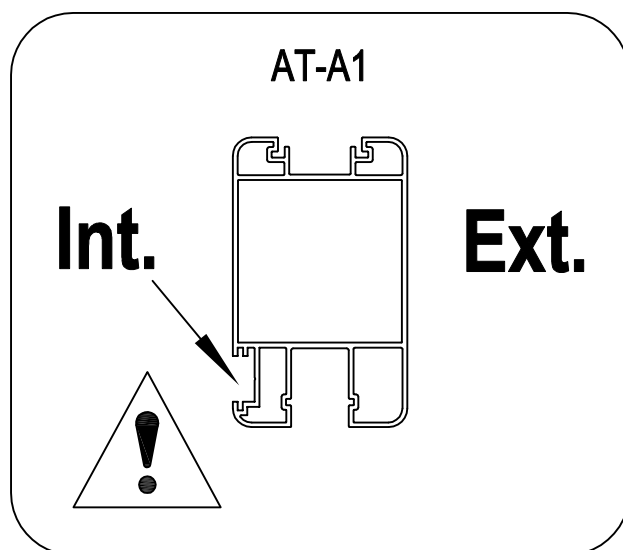
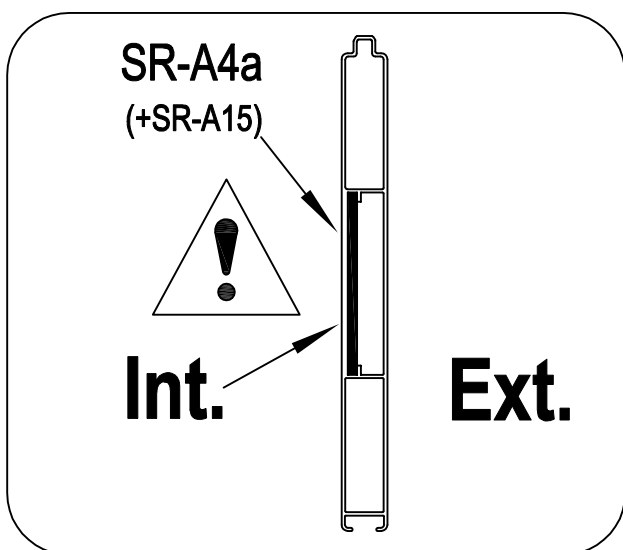
	AT-A1	1
	SR-A3	2
	Dr-28	2
	CK-B33	4




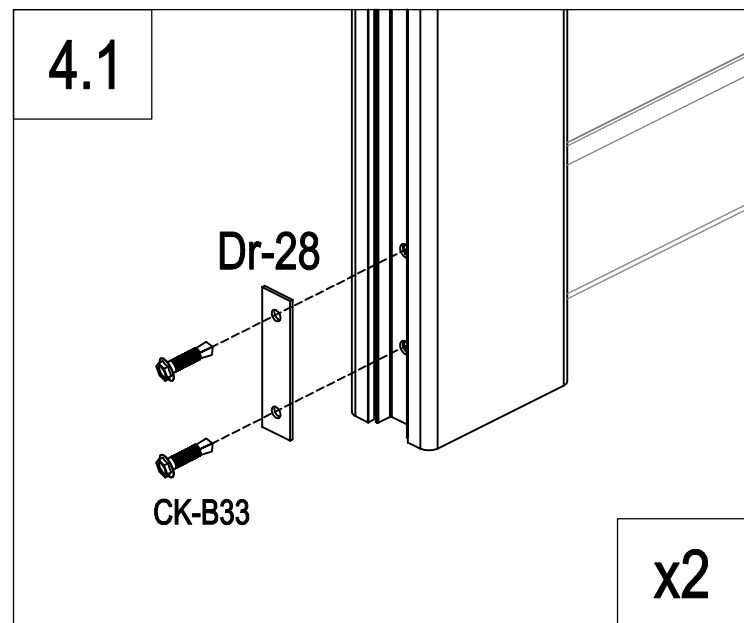
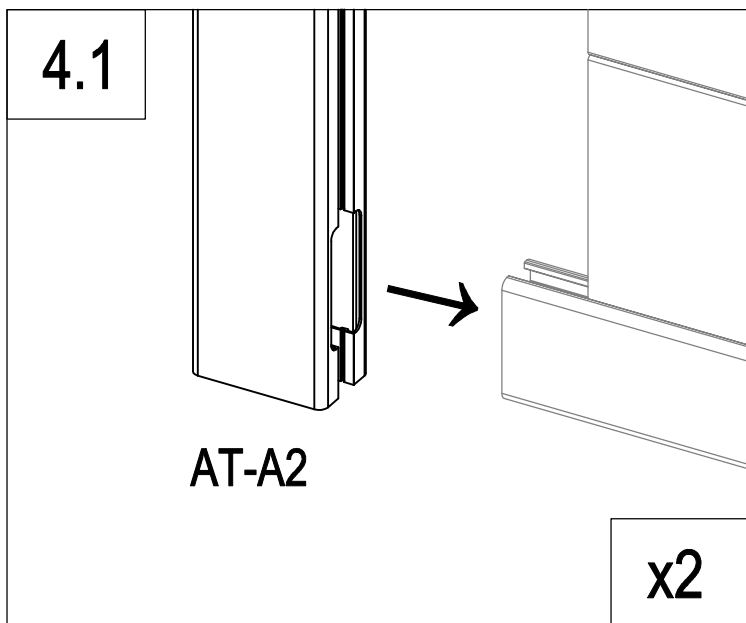
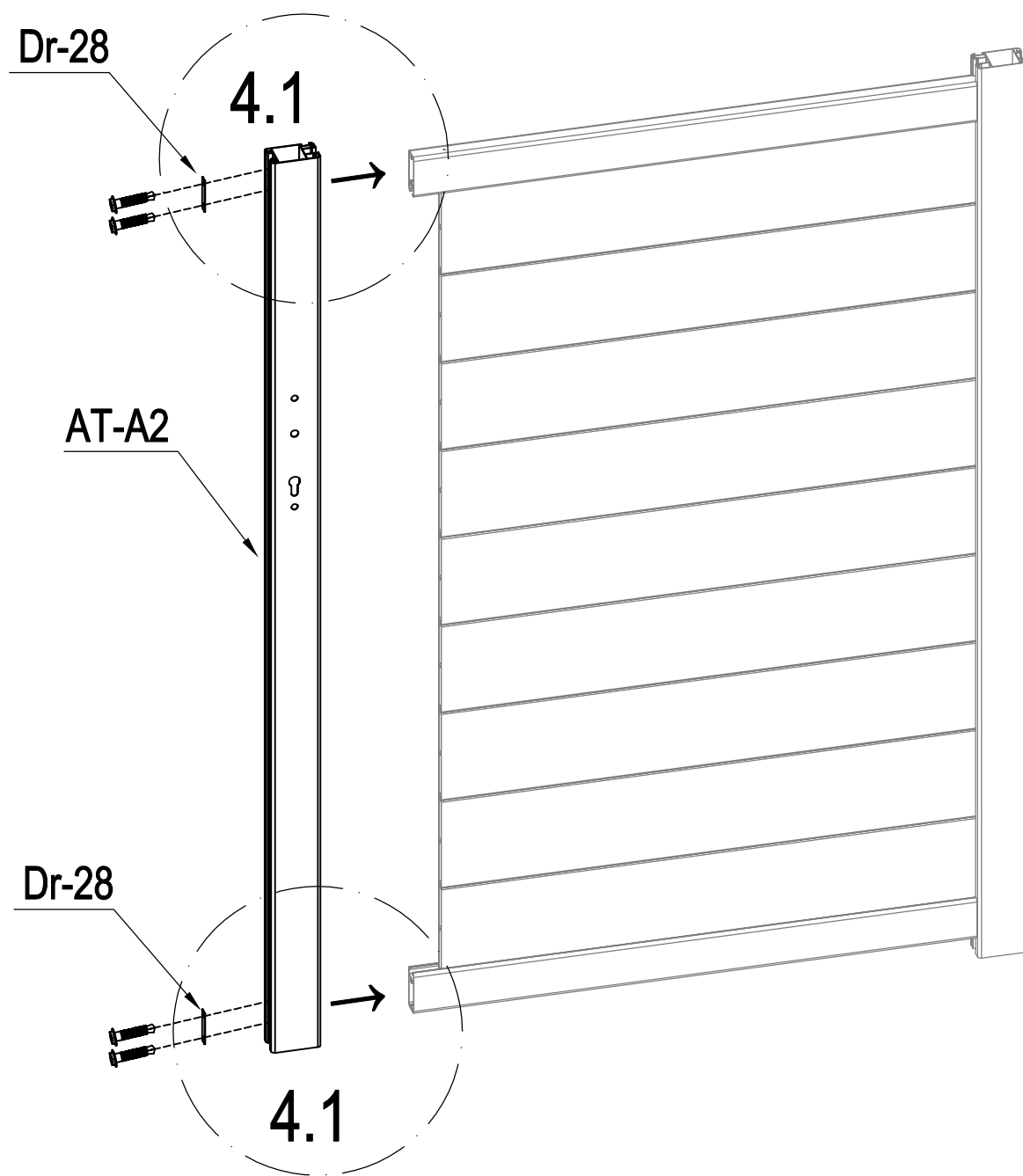
	SR-A4	8
---	-------	---

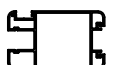




- EN: reinforced slat for automation
- FR: lame renforcée pour l'automatisation
- DE: verstärkte Lamelle für die Automatisierung
- ES: Lámina reforzada para la automatización
- PT: ripa reforçada para automatização
- IT: lamella rinforzata per l'automazione
- NL: versterkte lat voor automatisering
- PL: wzmocniona listwa do automatyzacji

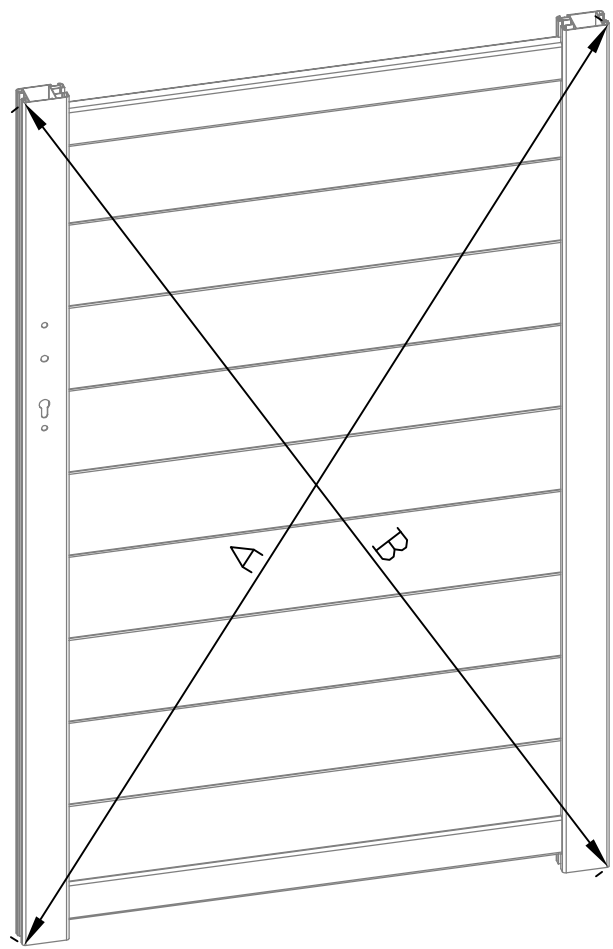


	SR-A4a (+SR-A15)	1
---	------------------	---

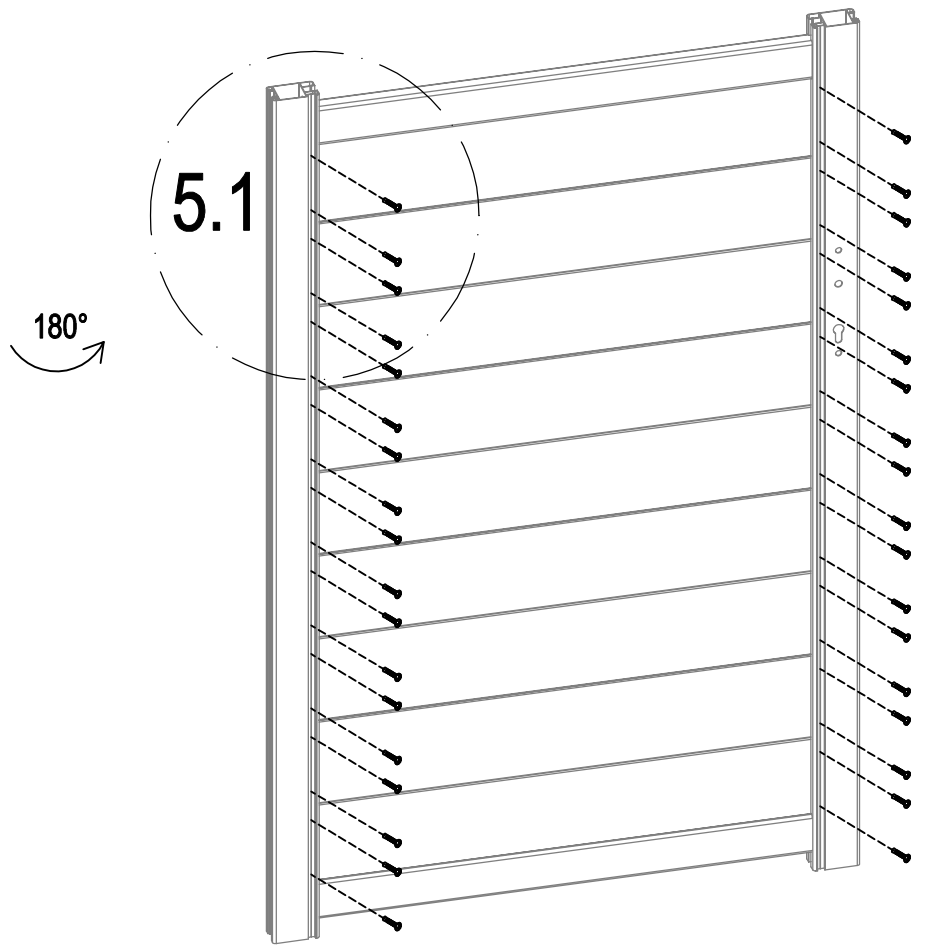


	AT-A2	1
	Dr-28	2
	CK-B33	4



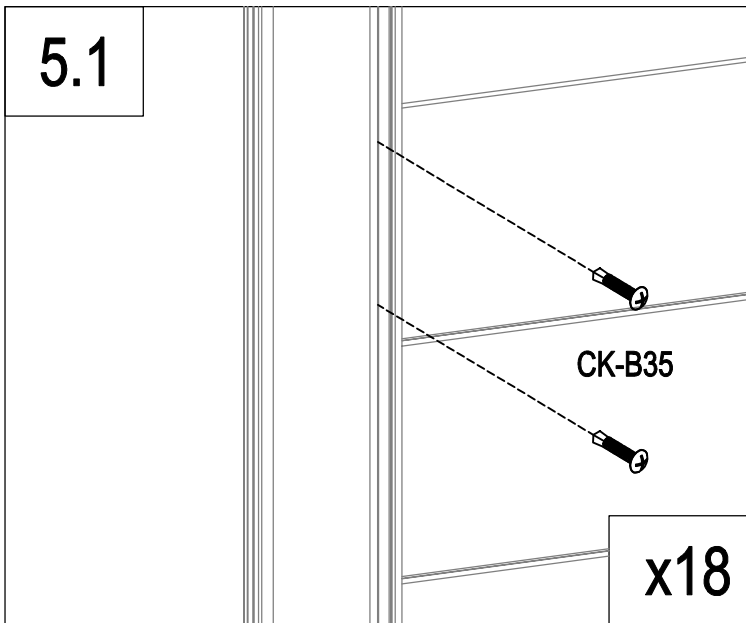


A=B



180°

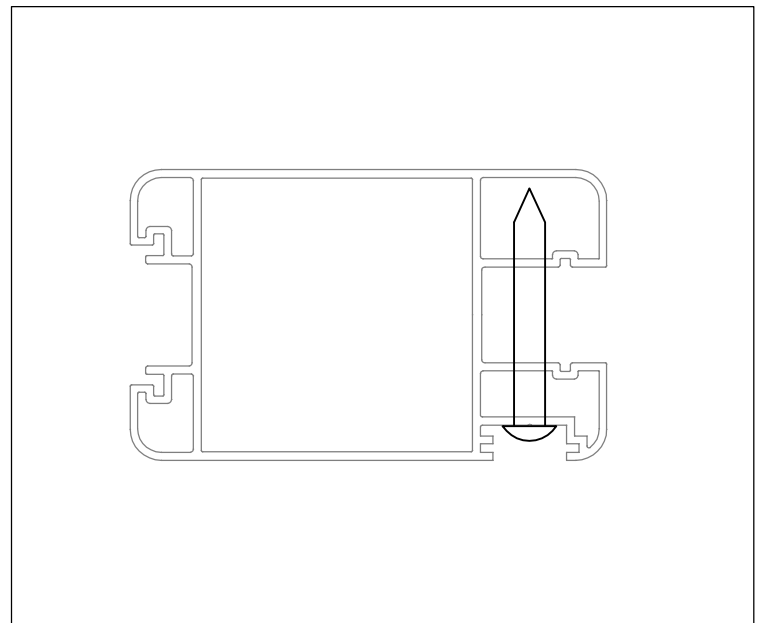
5.1




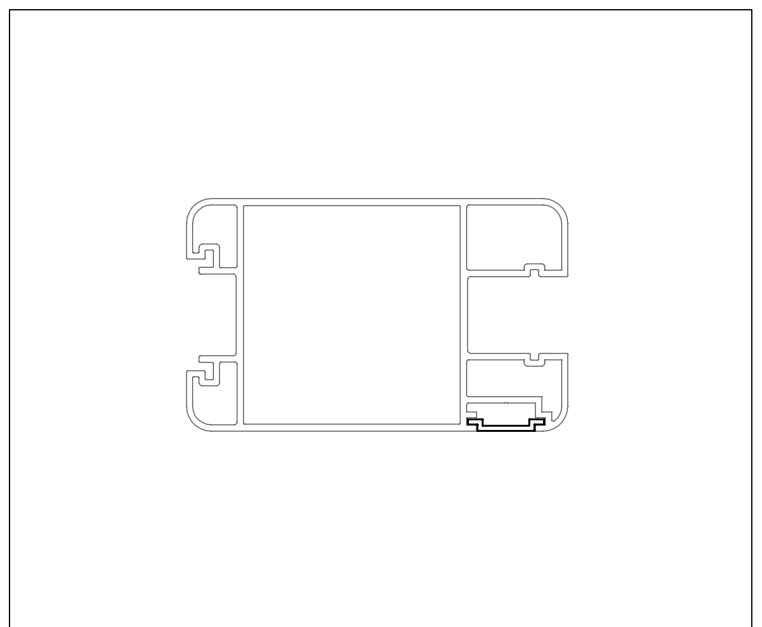
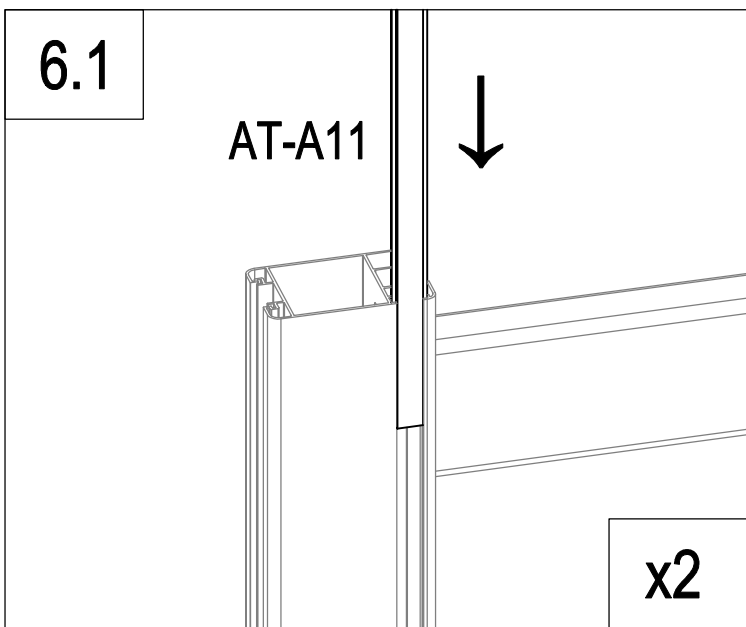
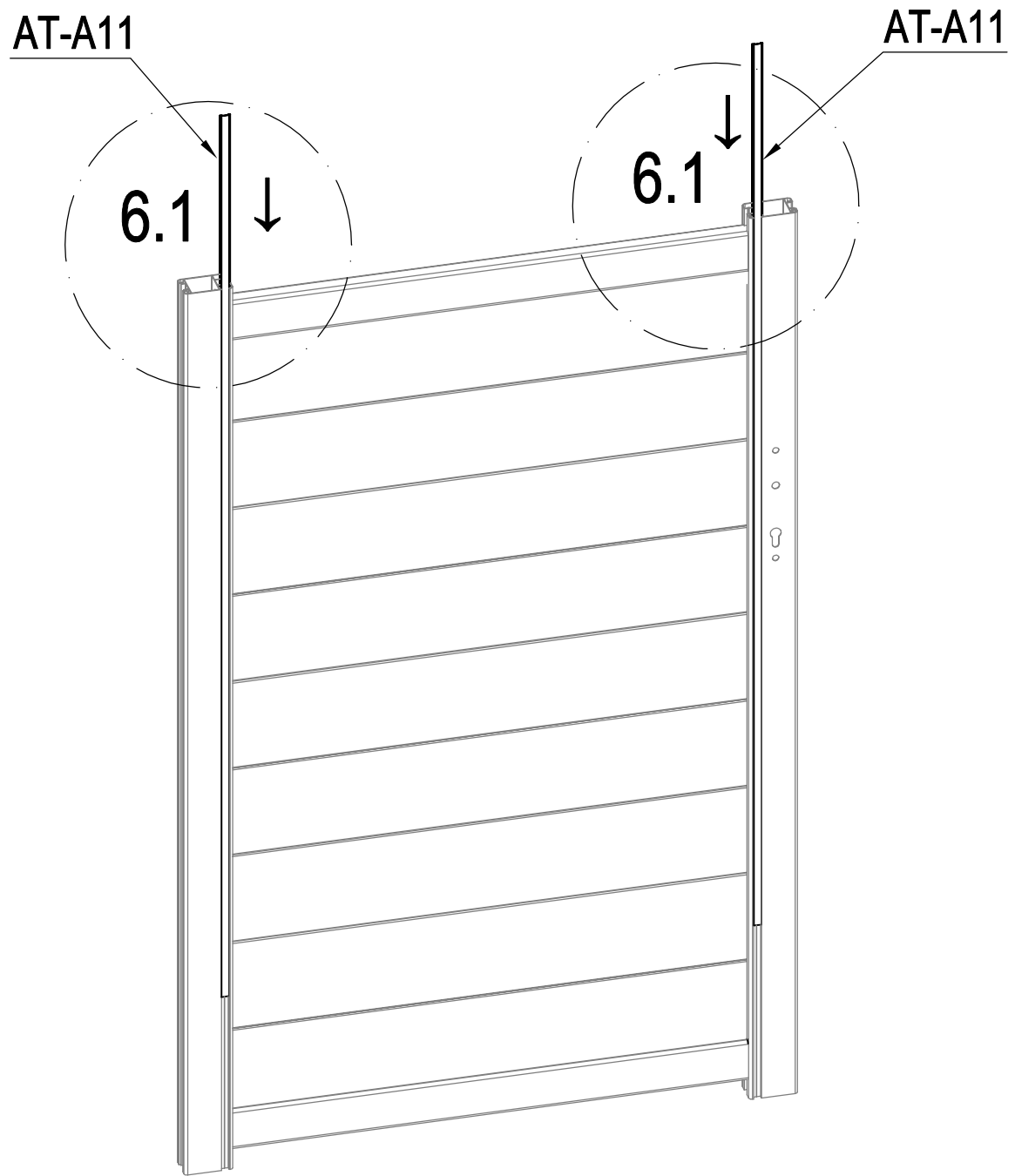
5.1

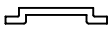
CK-B35

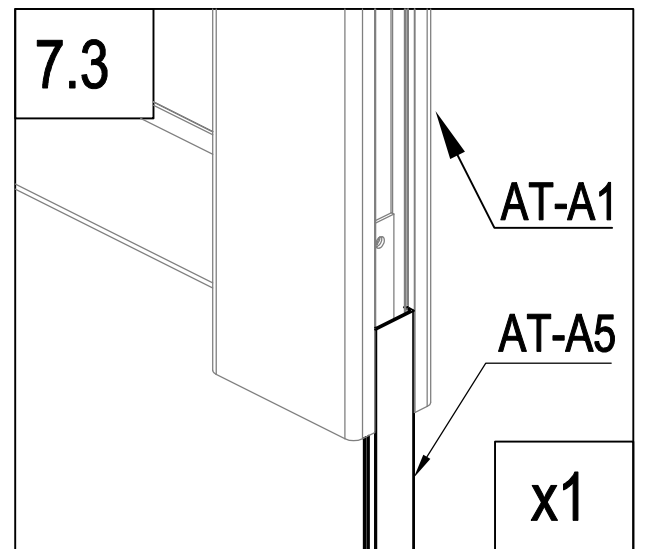
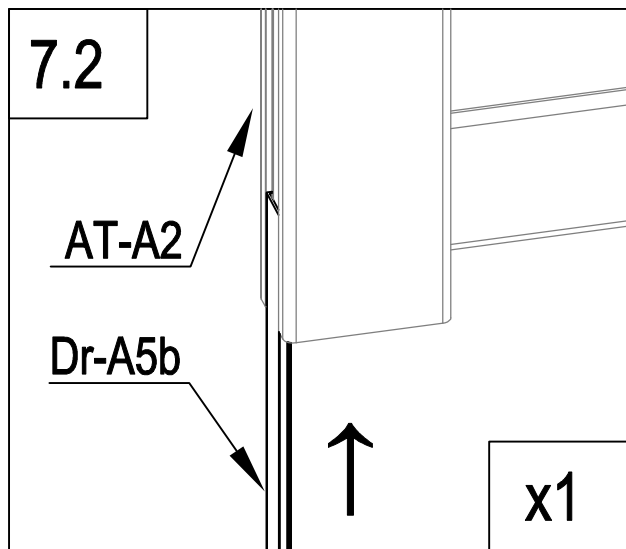
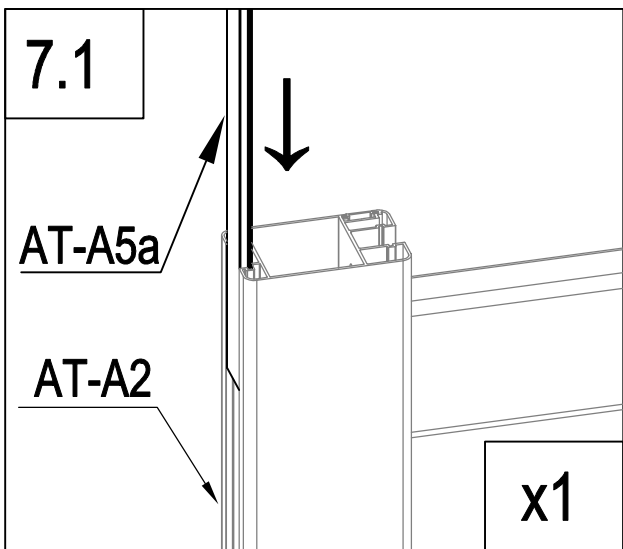
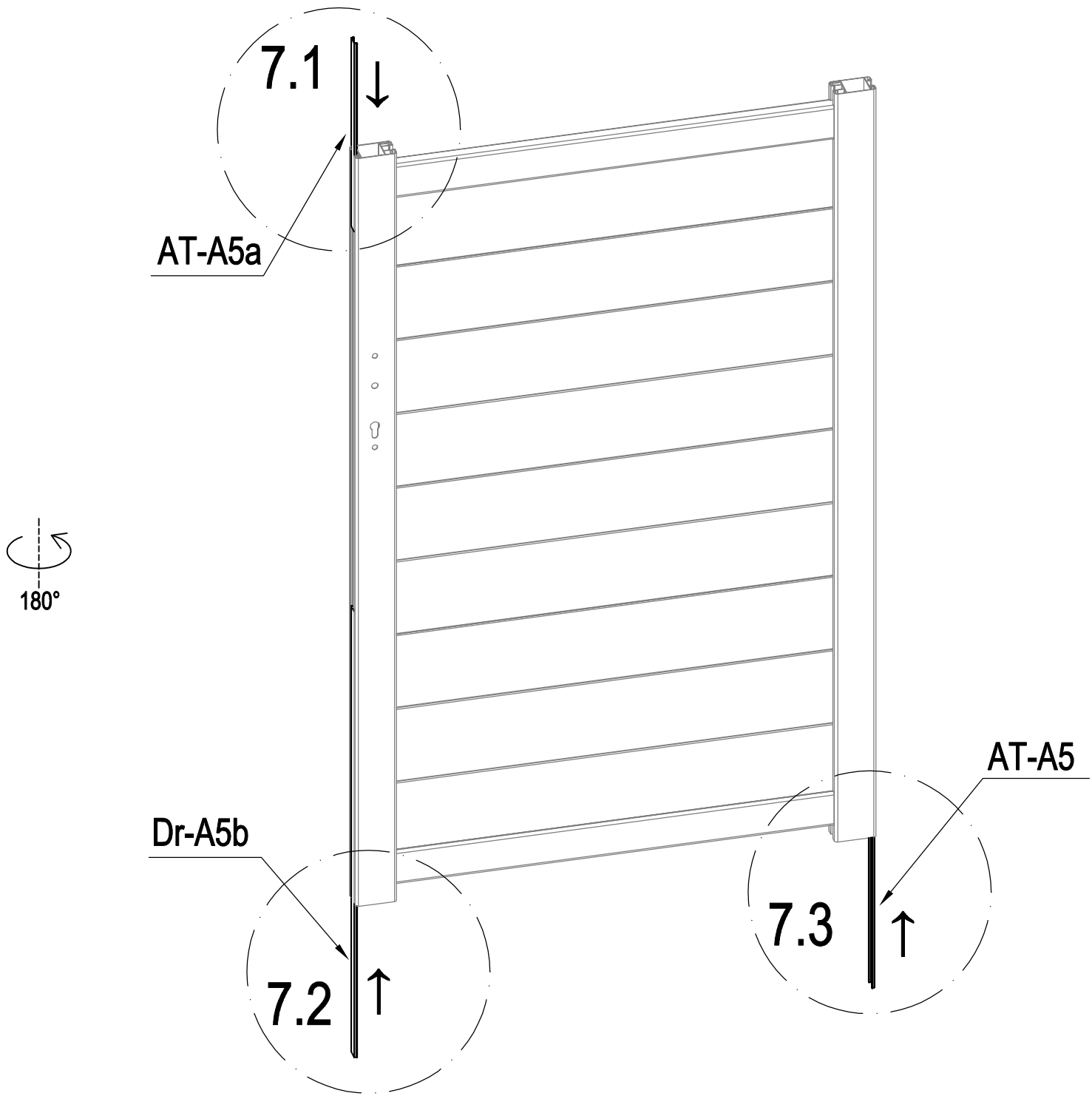
x18

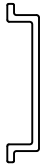


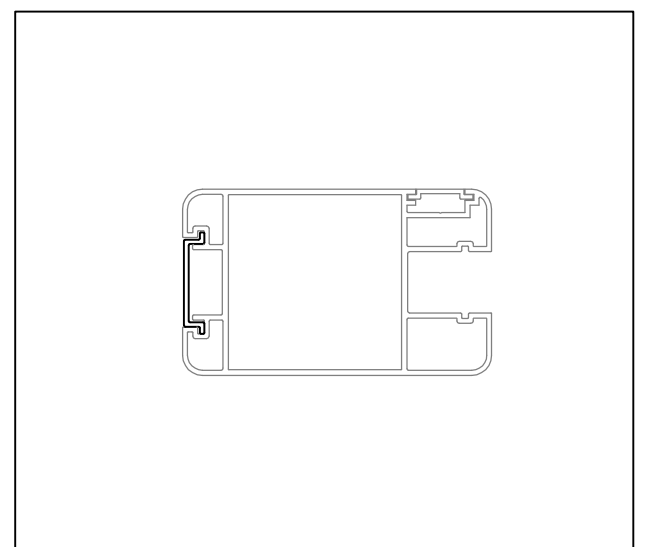
	<p>CK-B35</p>	<p>36</p>
---	---------------	-----------

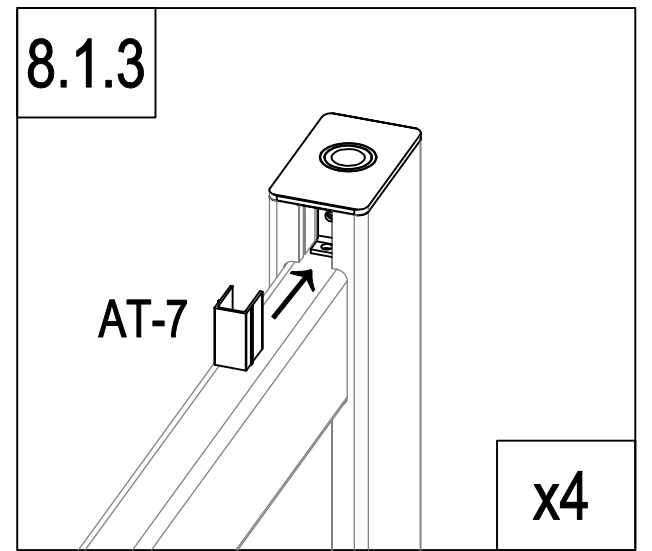
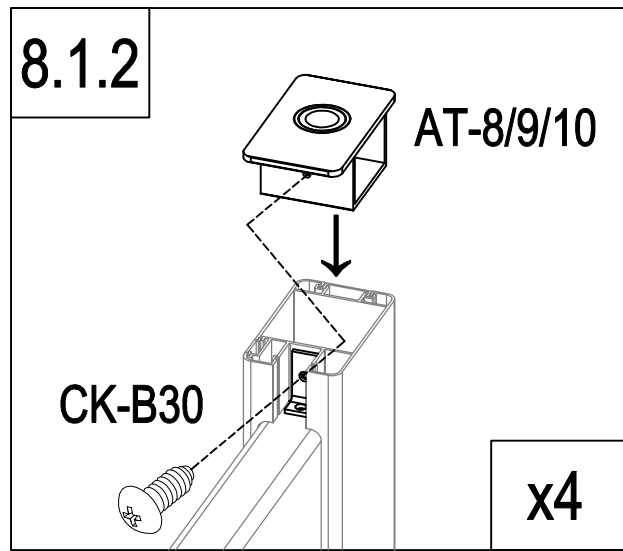
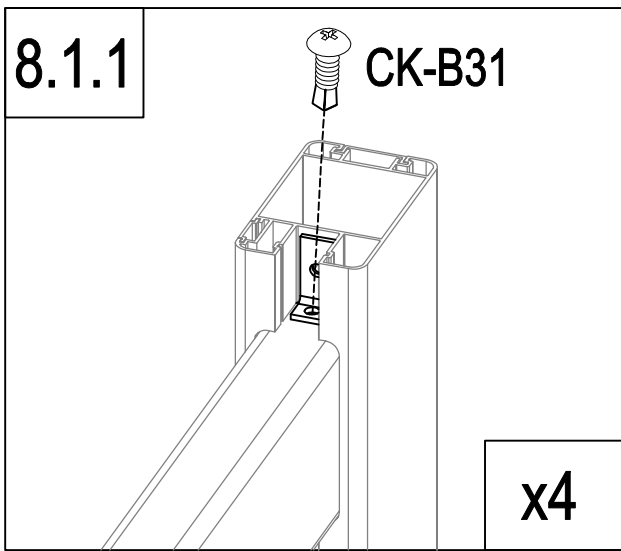
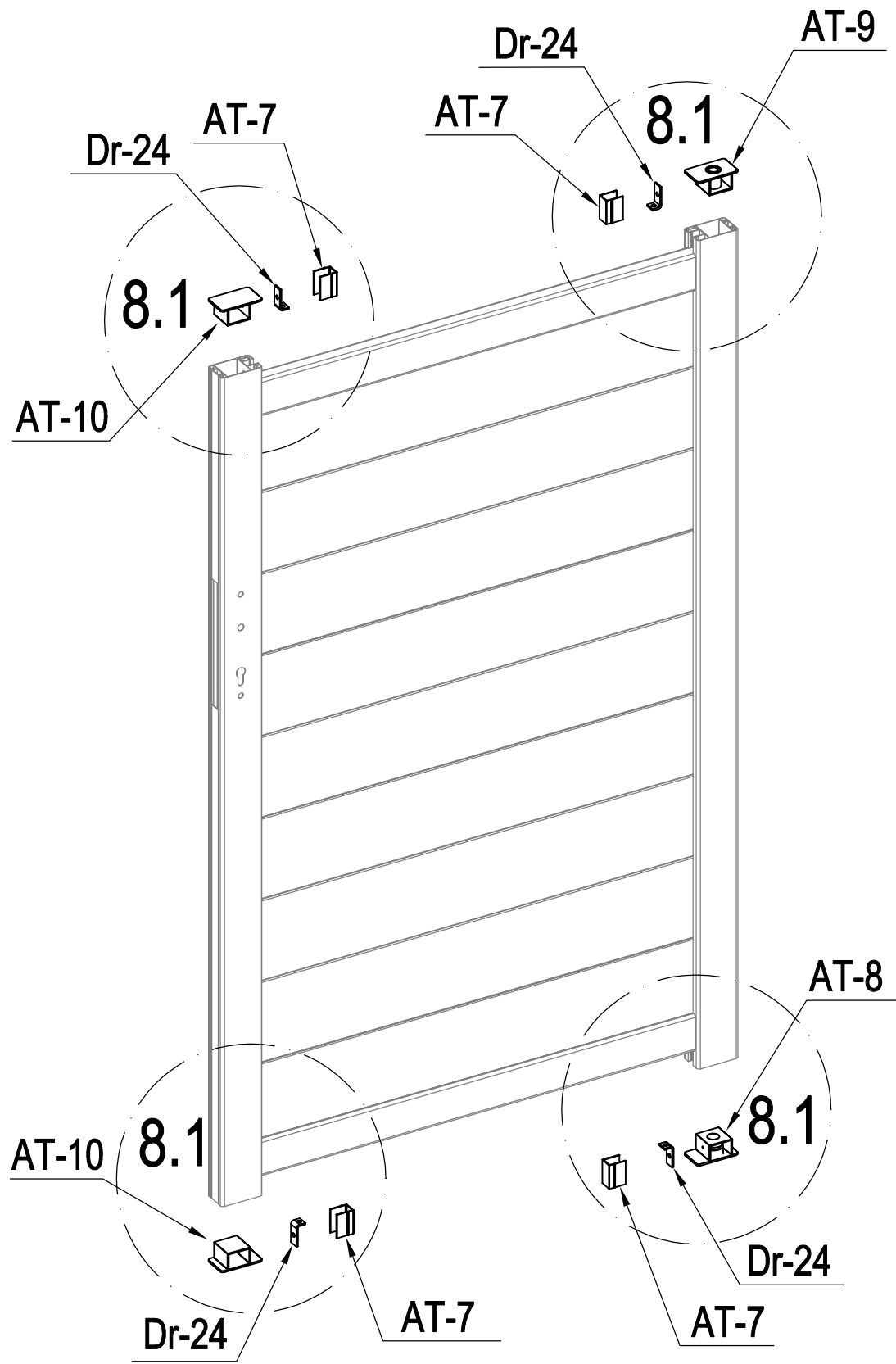


	<p>AT-A11</p>	<p>2</p>
---	---------------	----------



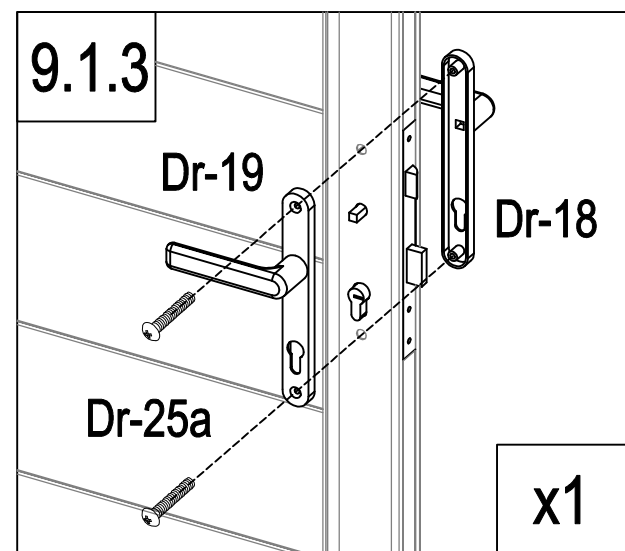
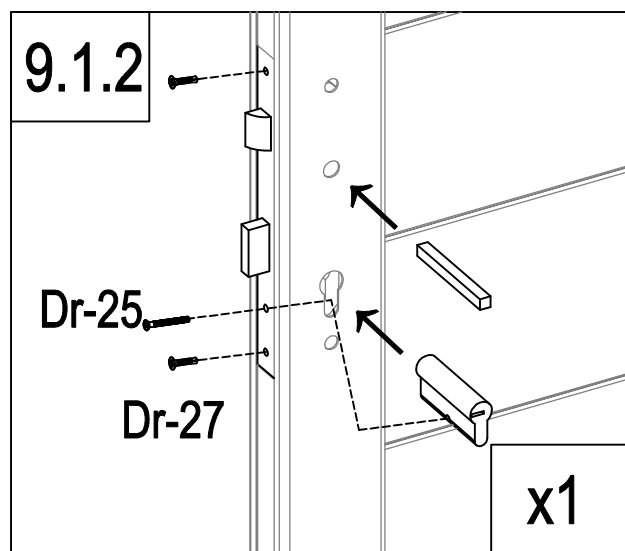
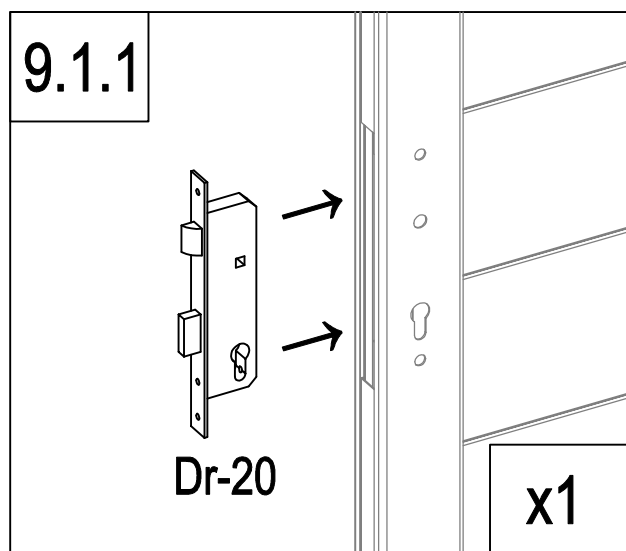
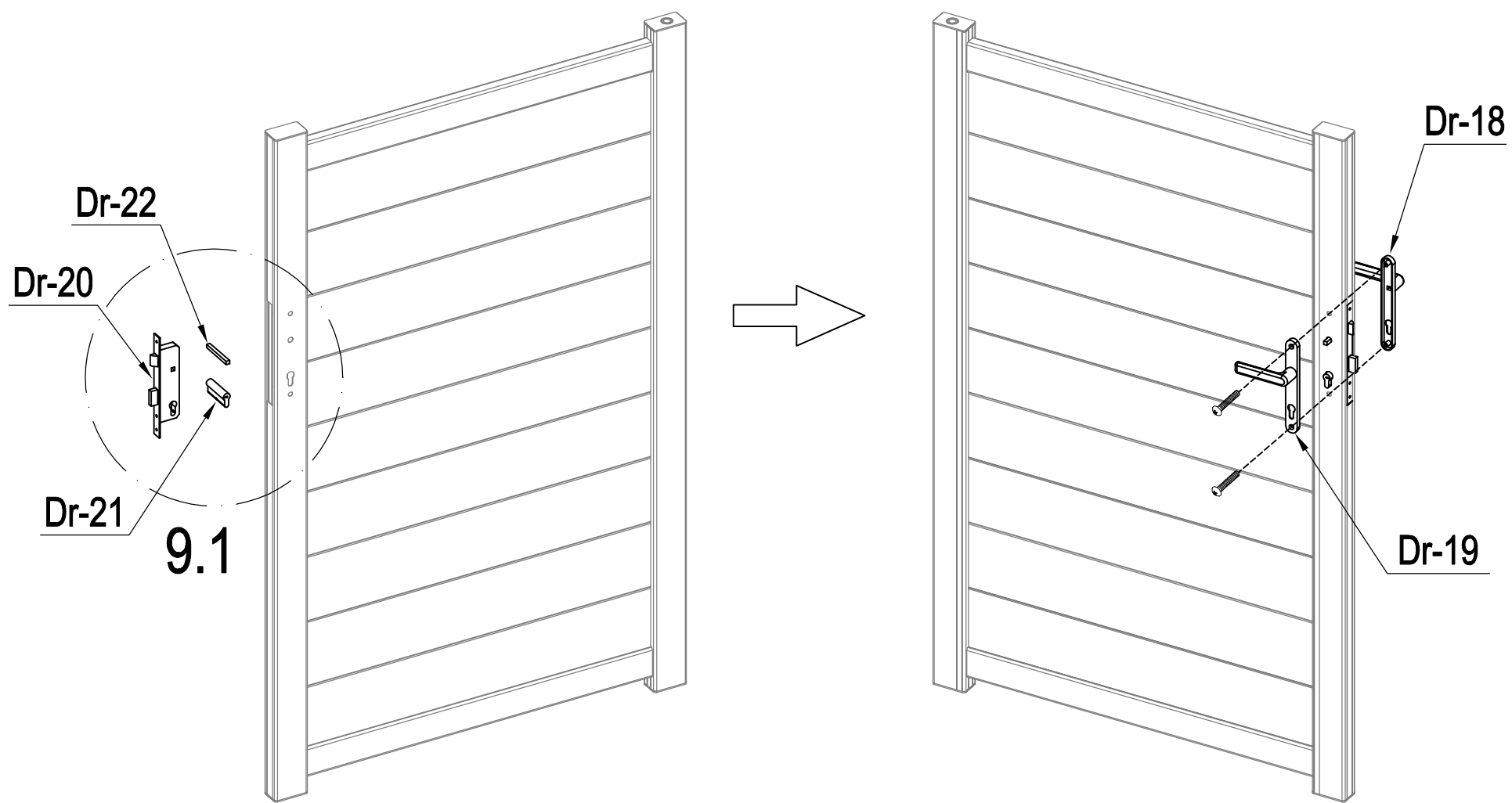
	AT-A5	1
	AT-A5a	1
	Dr-A5b	1





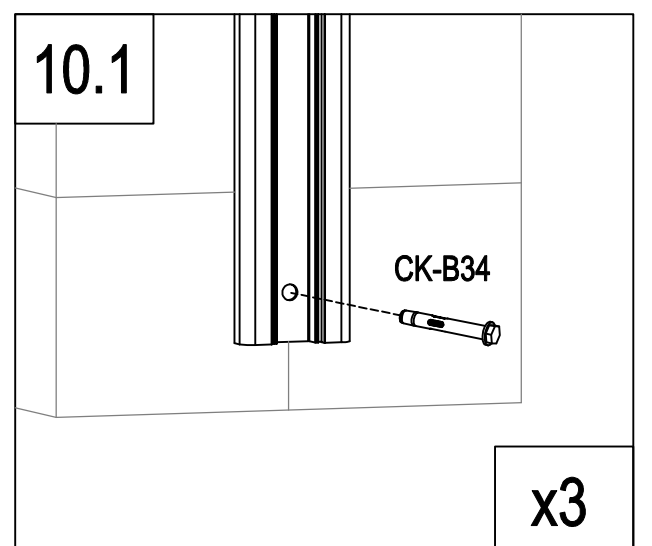
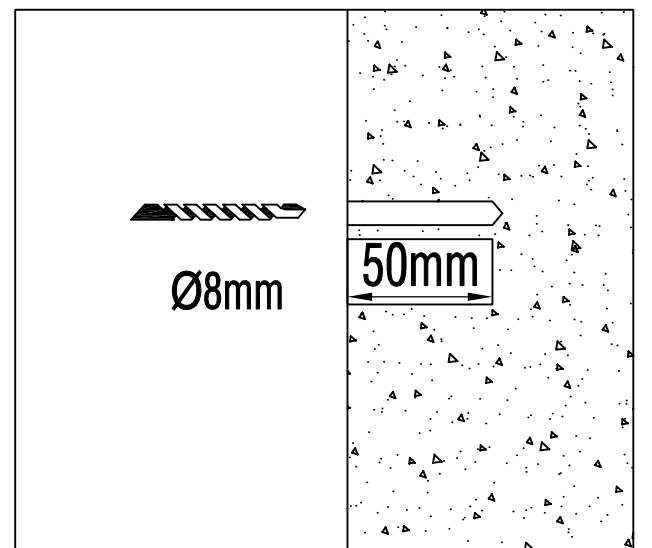
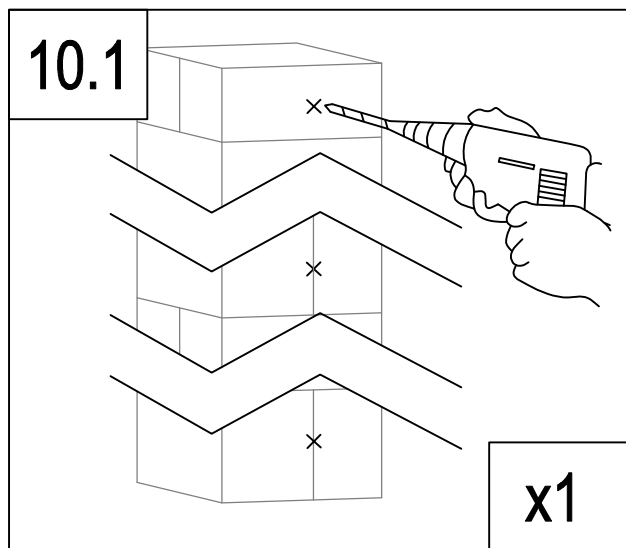
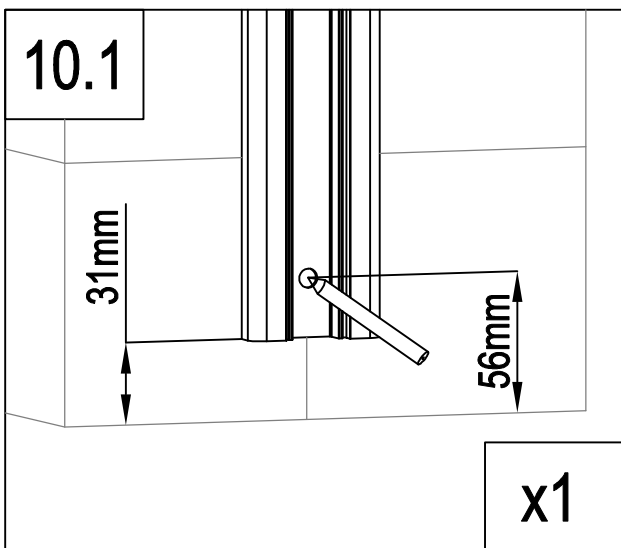
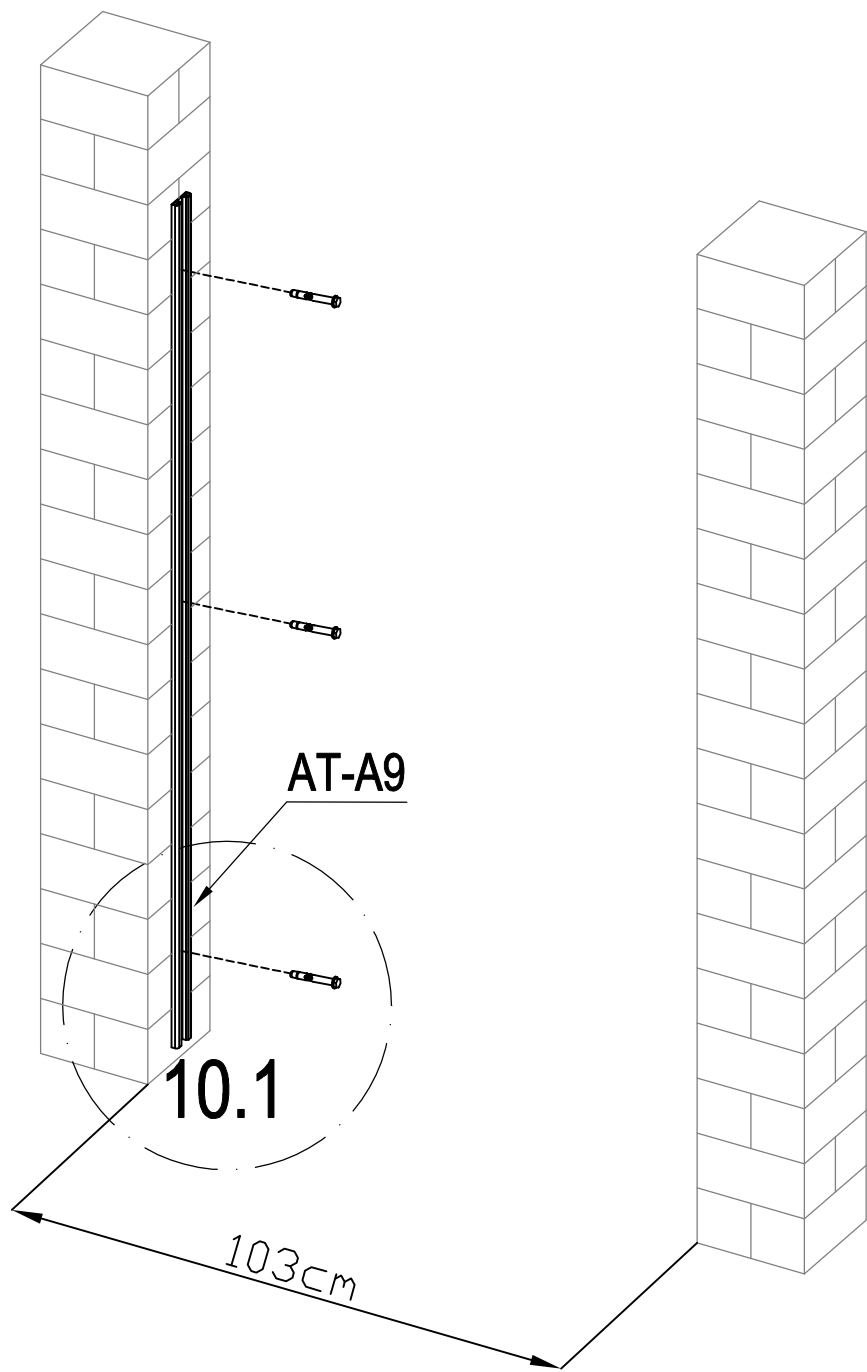
	AT-8	1
	AT-9	1
	AT-10	2
	Dr-24	4

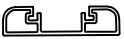

	AT-7	4
	CK-B30	4
	CK-B31	4

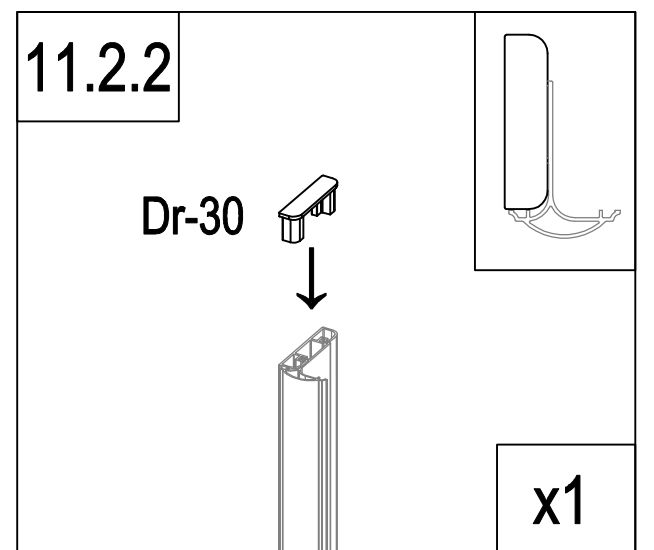
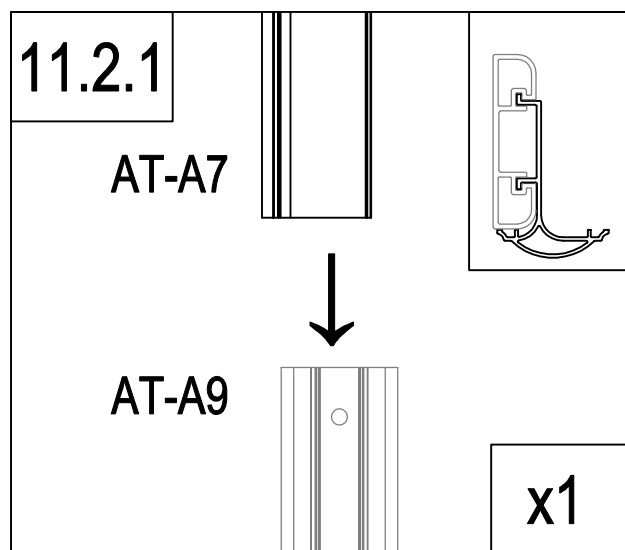
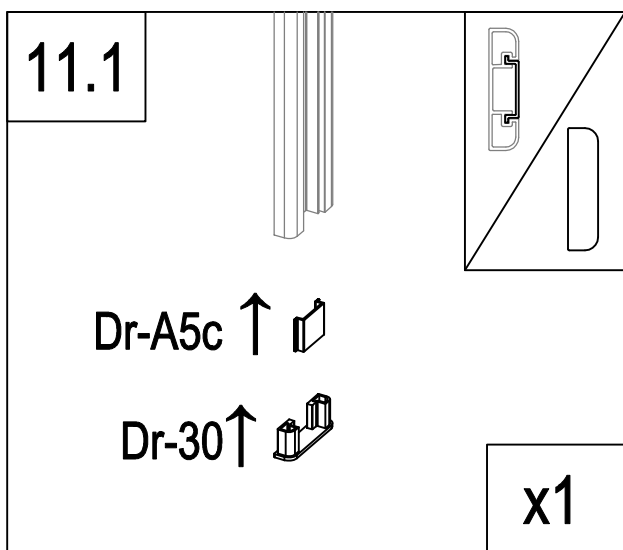
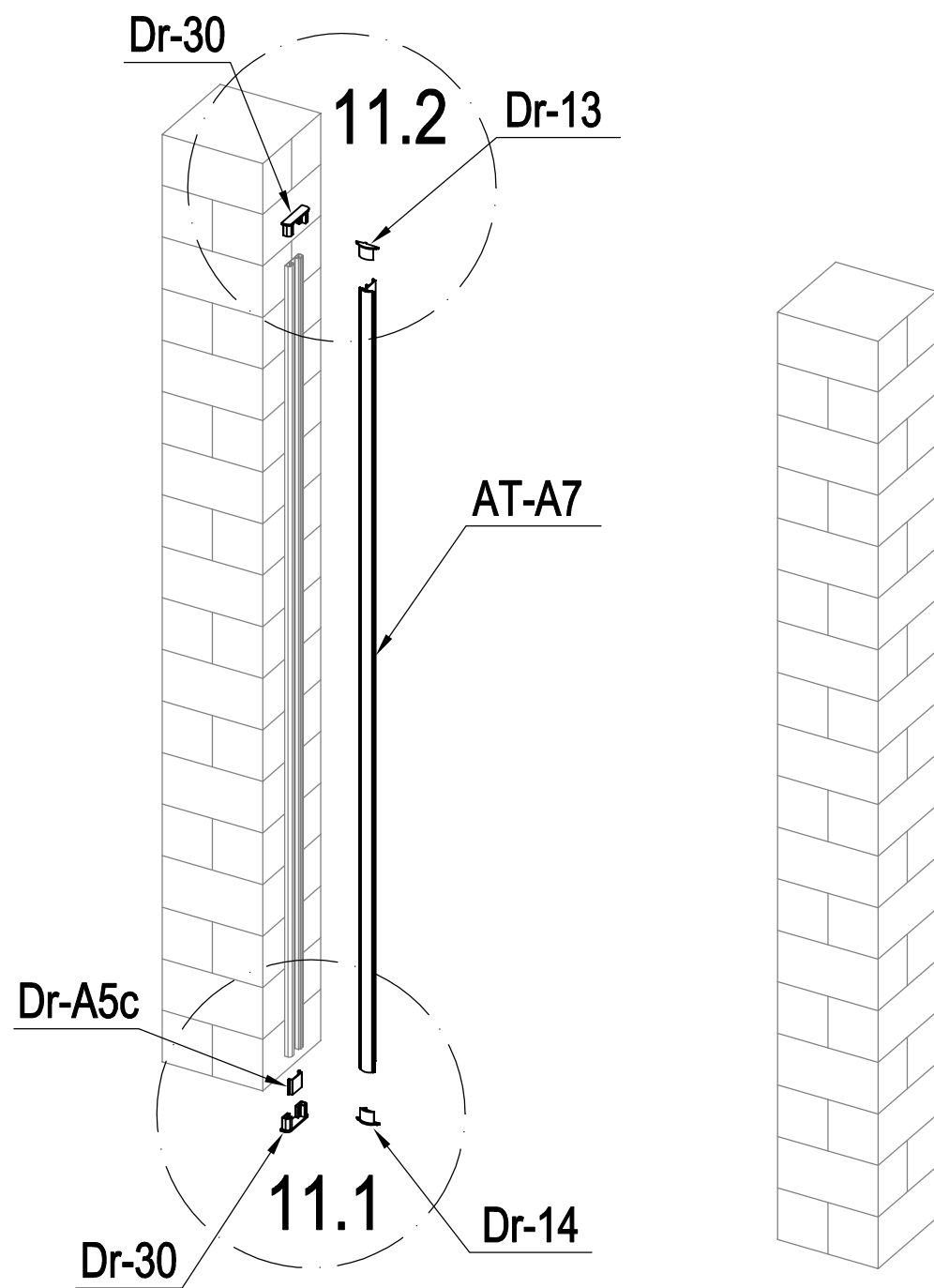


	Dr-20	1
	Dr-21	1
	Dr-22	1
	Dr-25	1

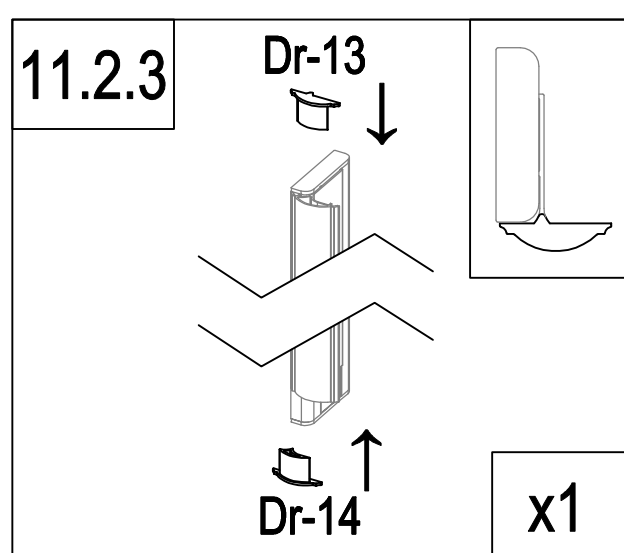
	Dr-18	1
	Dr-19	1
	Dr-25a	2
	Dr-27	2

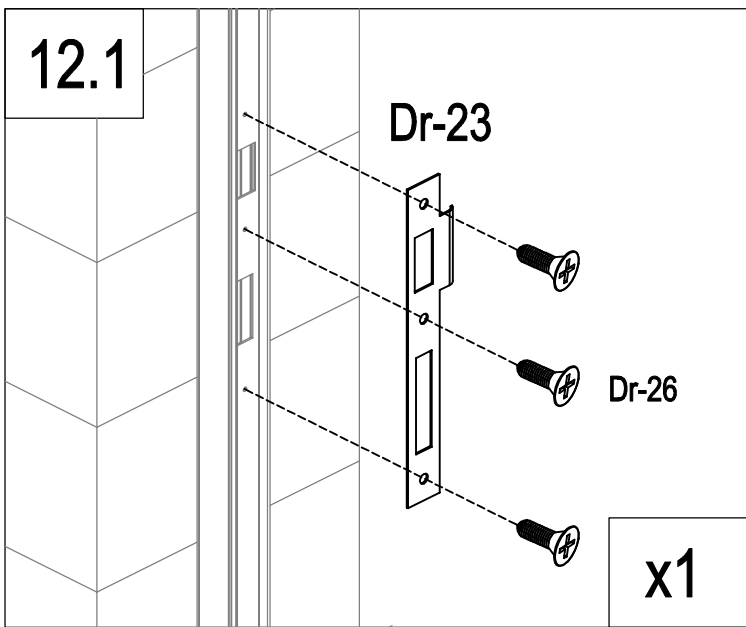
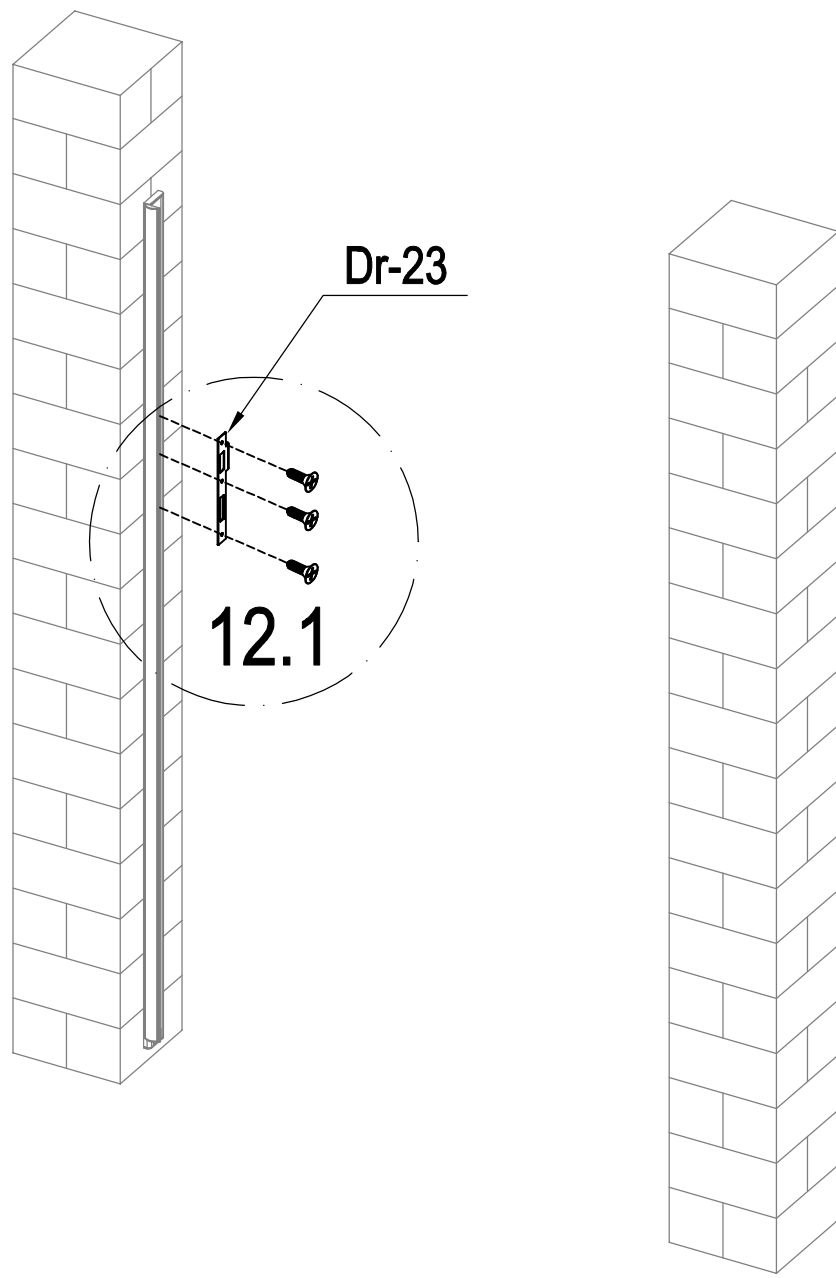


	AT-A9	1
	CK-B34	3



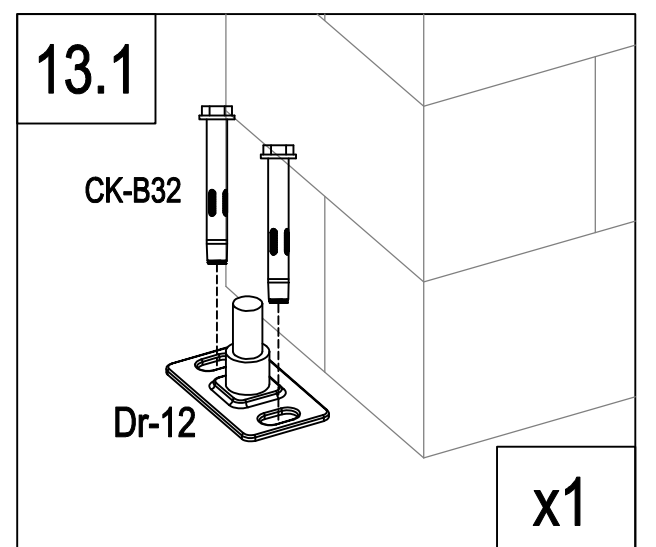
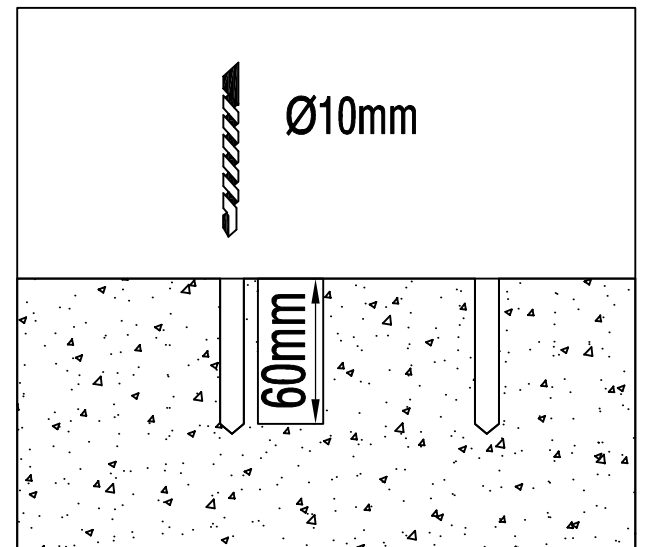
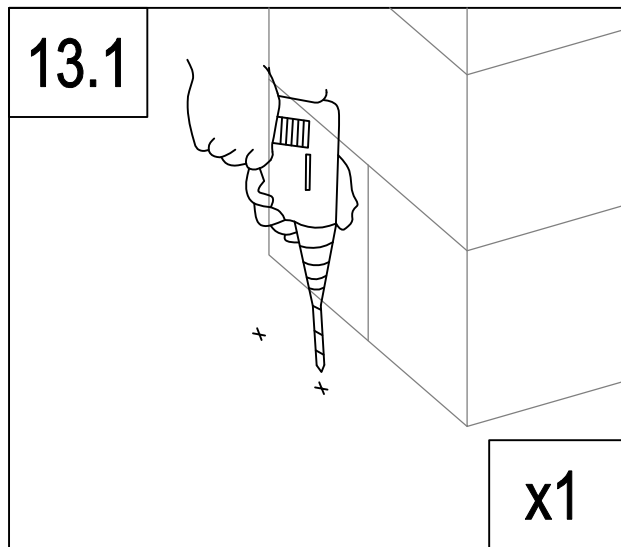
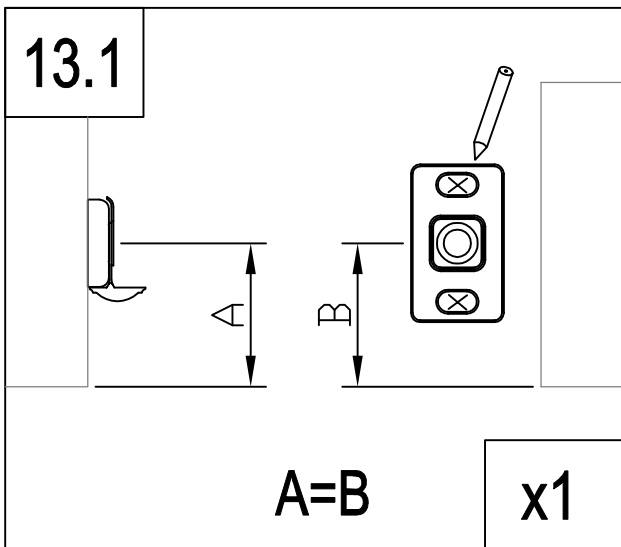
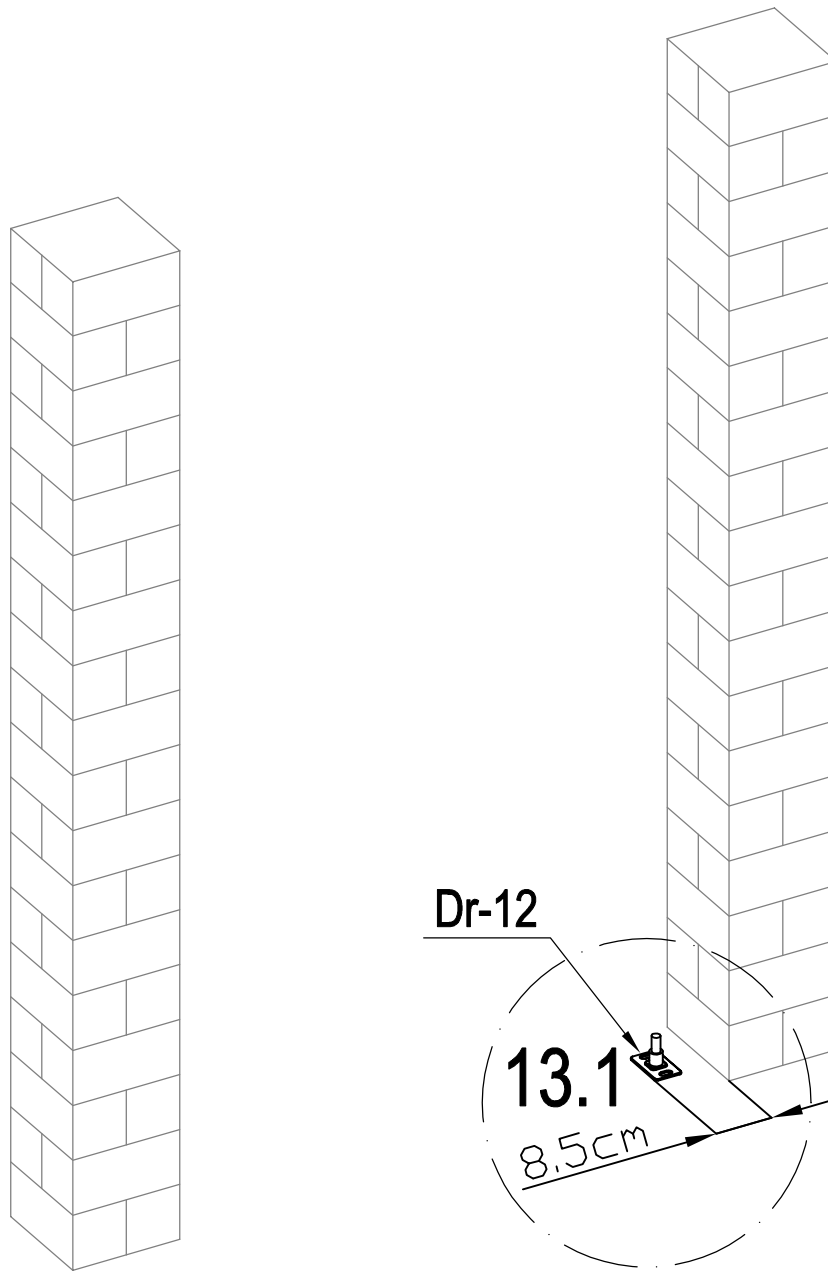
	AT-A7	1
	Dr-13	1
	Dr-14	1
	Dr-30	2
	Dr-A5c	1



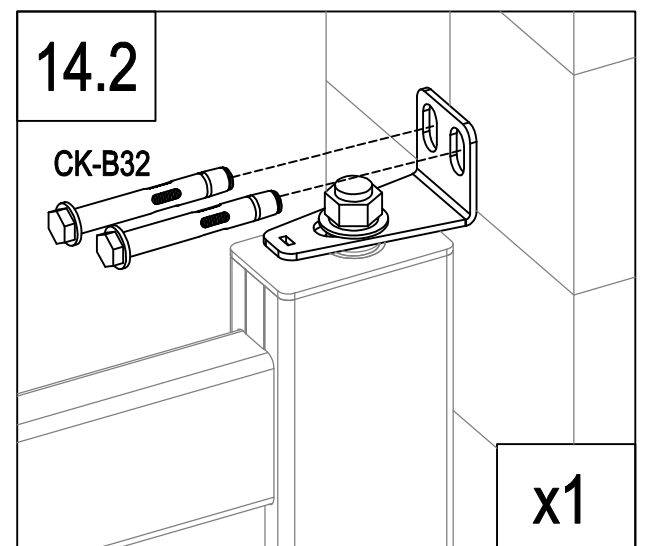
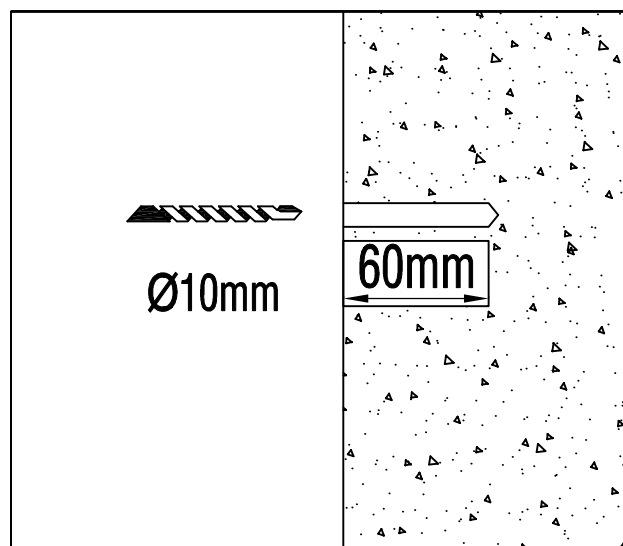
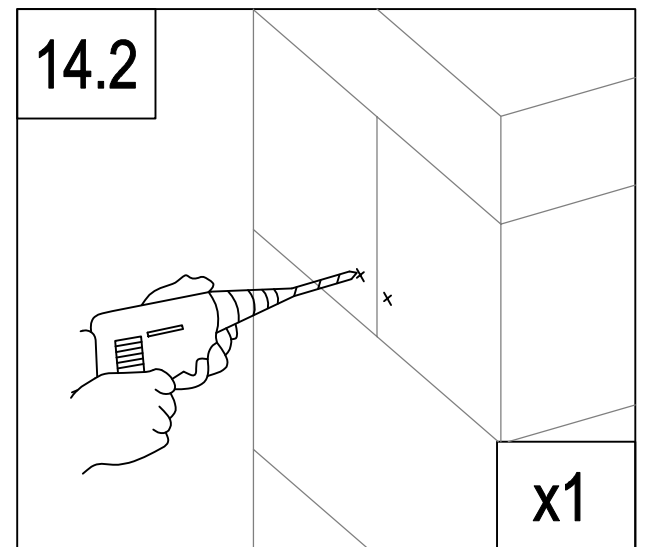
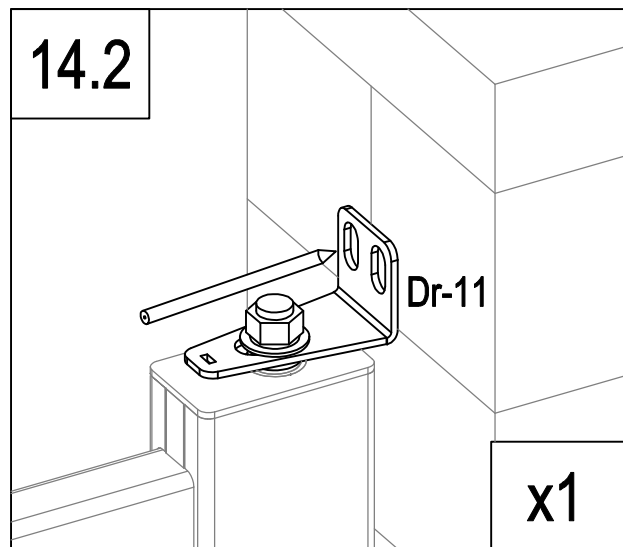
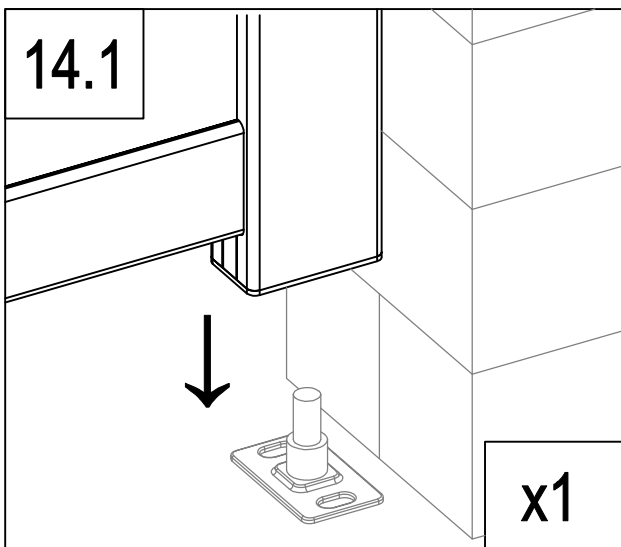
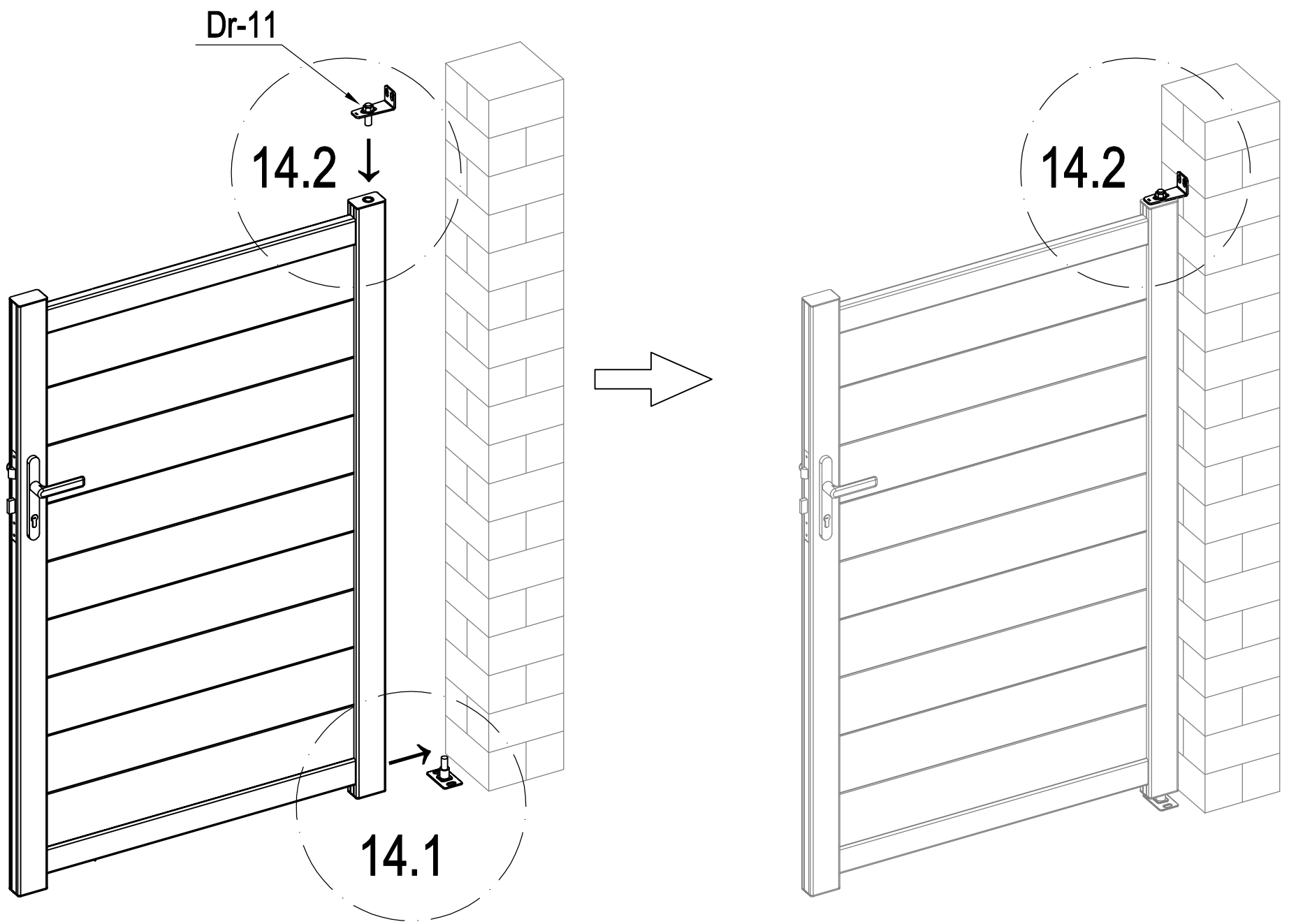


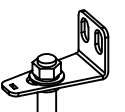
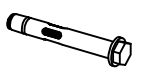
	Dr-23	1
	Dr-26	3

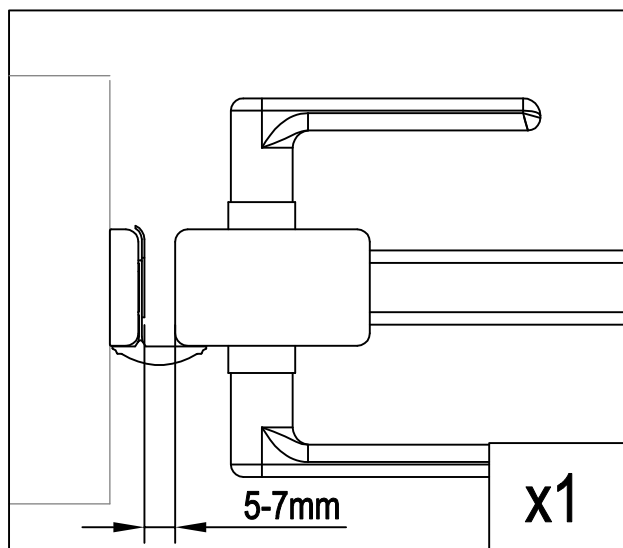
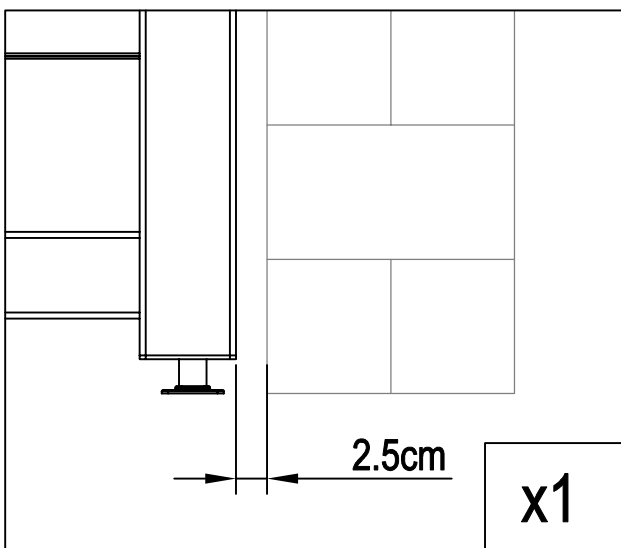
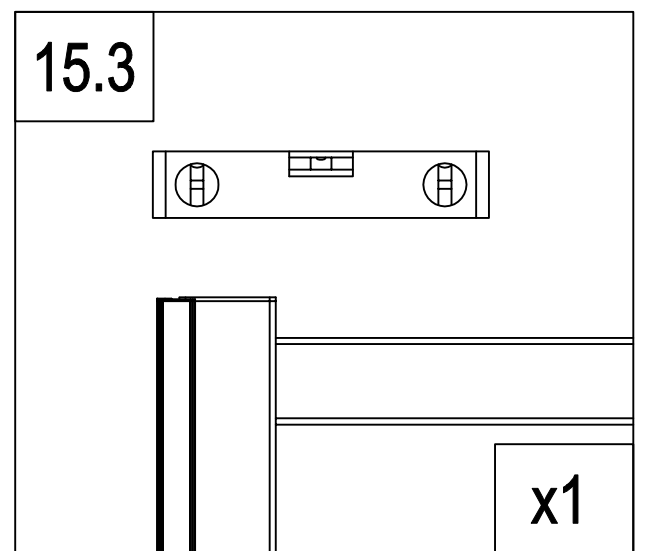
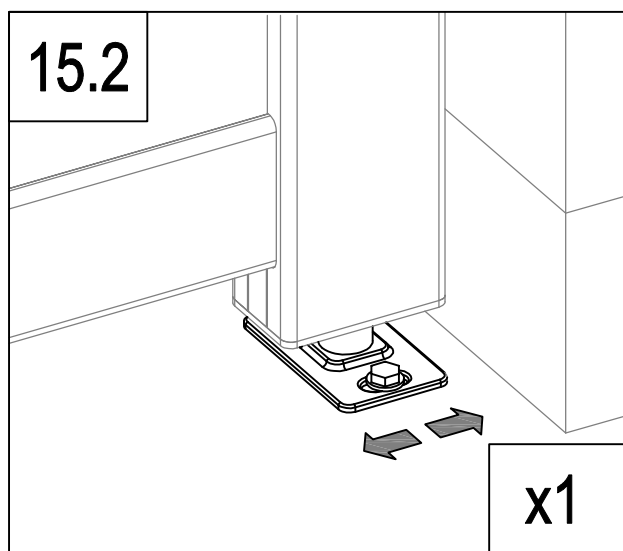
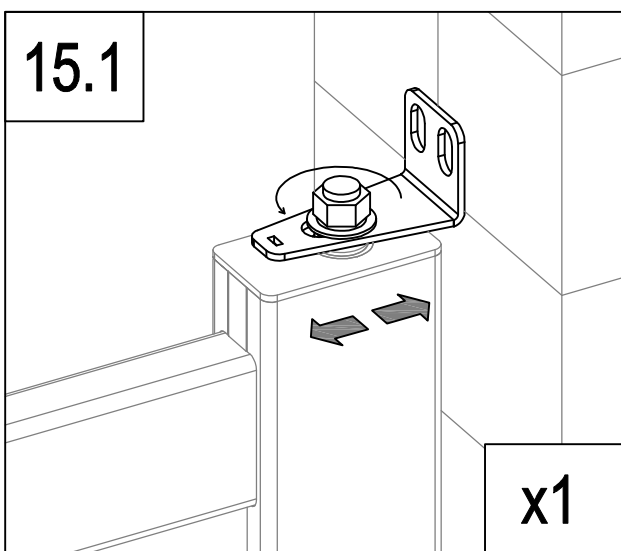
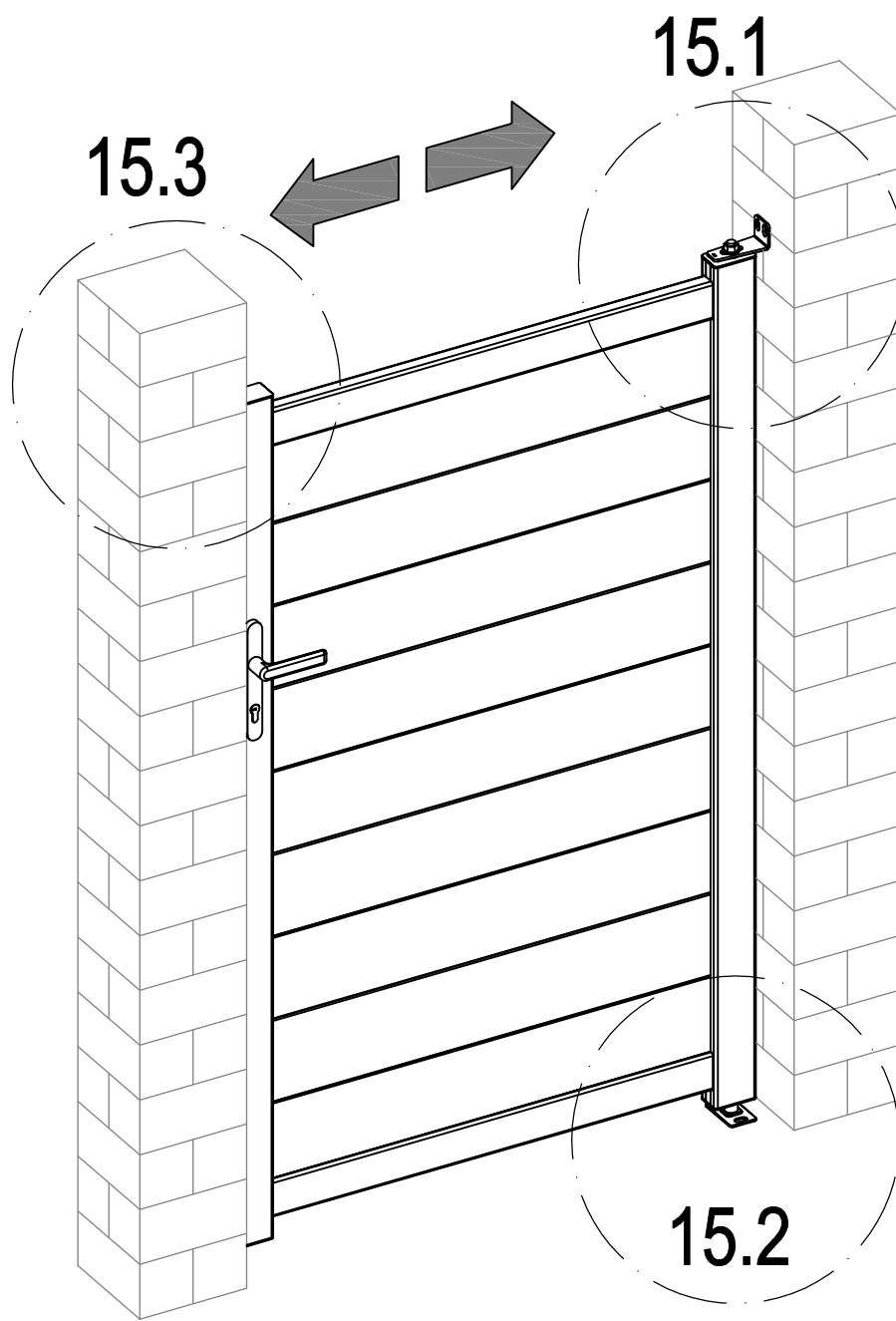


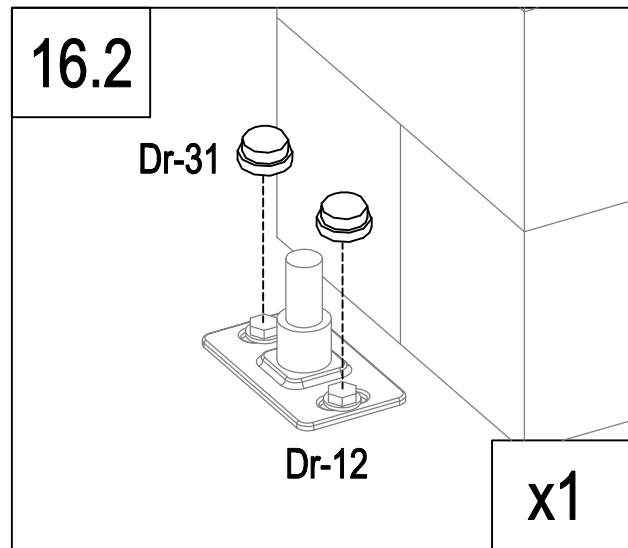
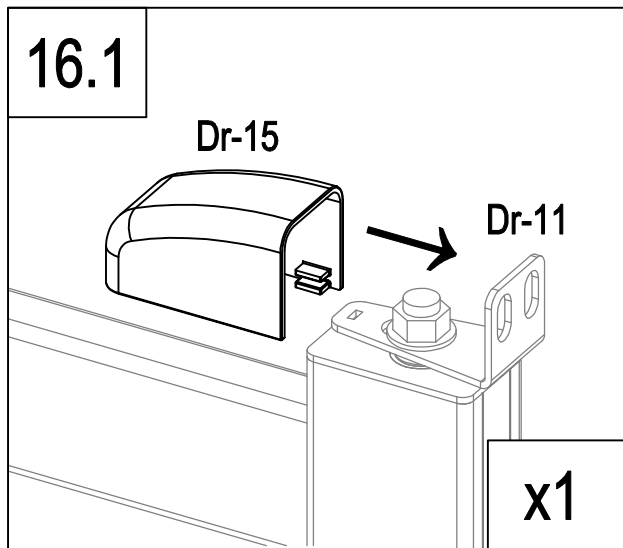
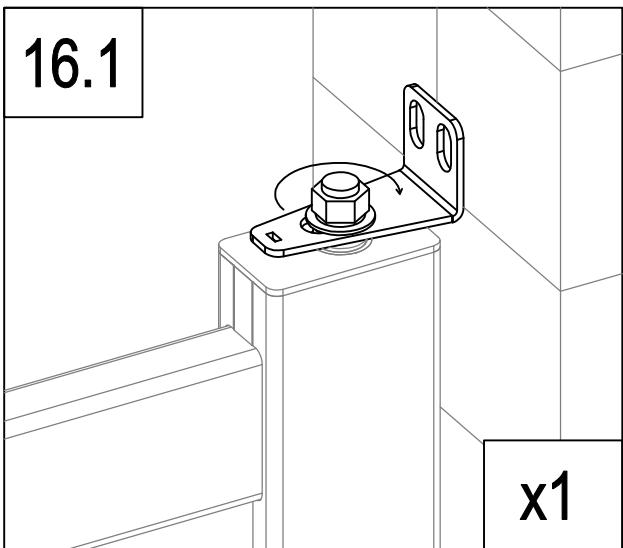
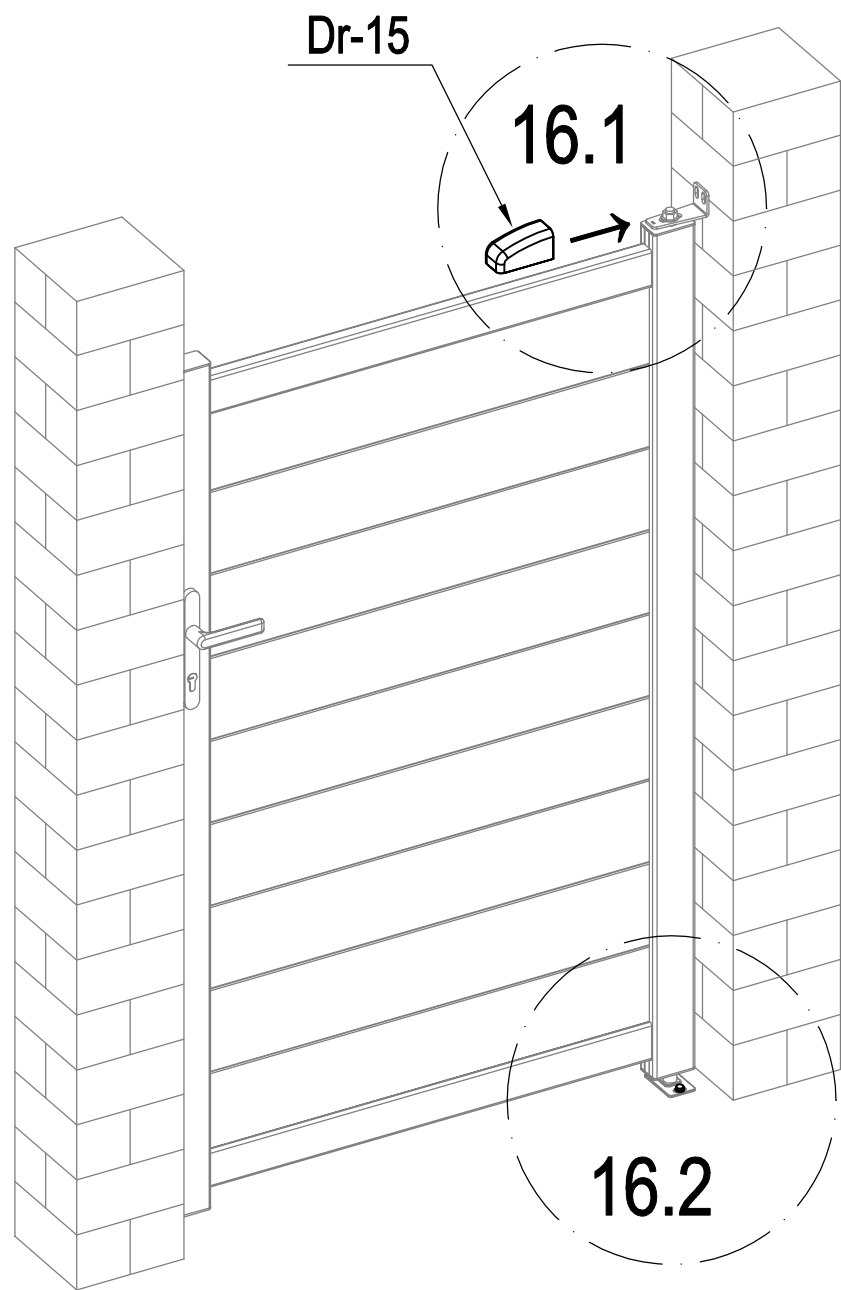


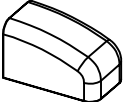

	Dr-12	1
	CK-B32	2

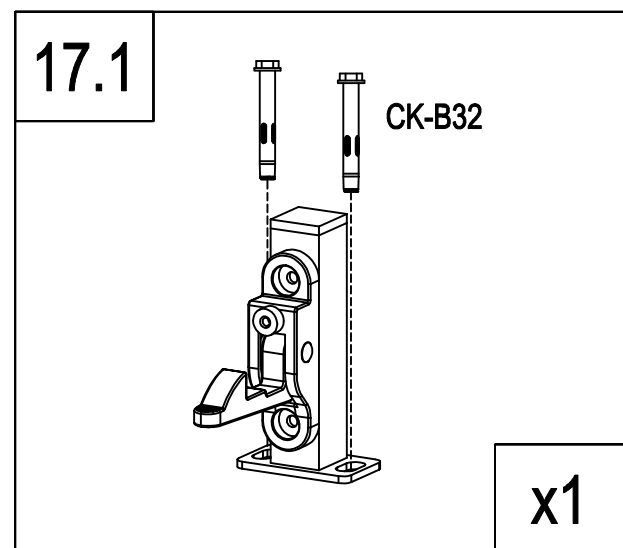
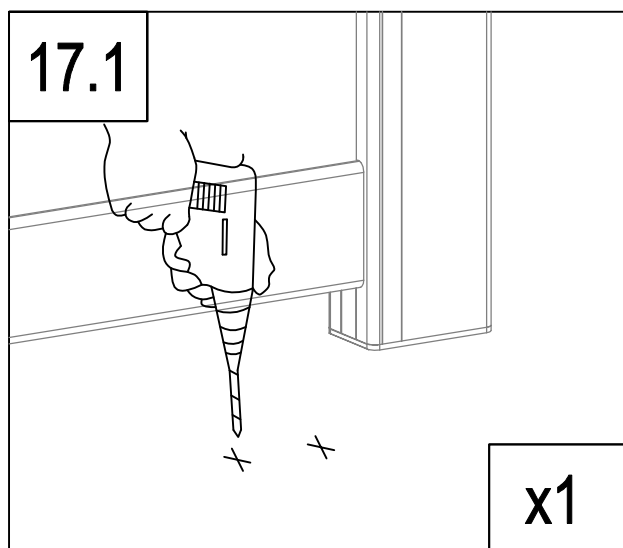
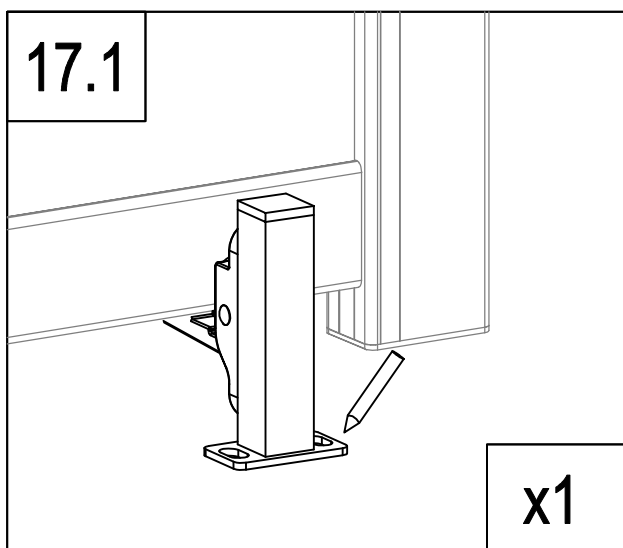
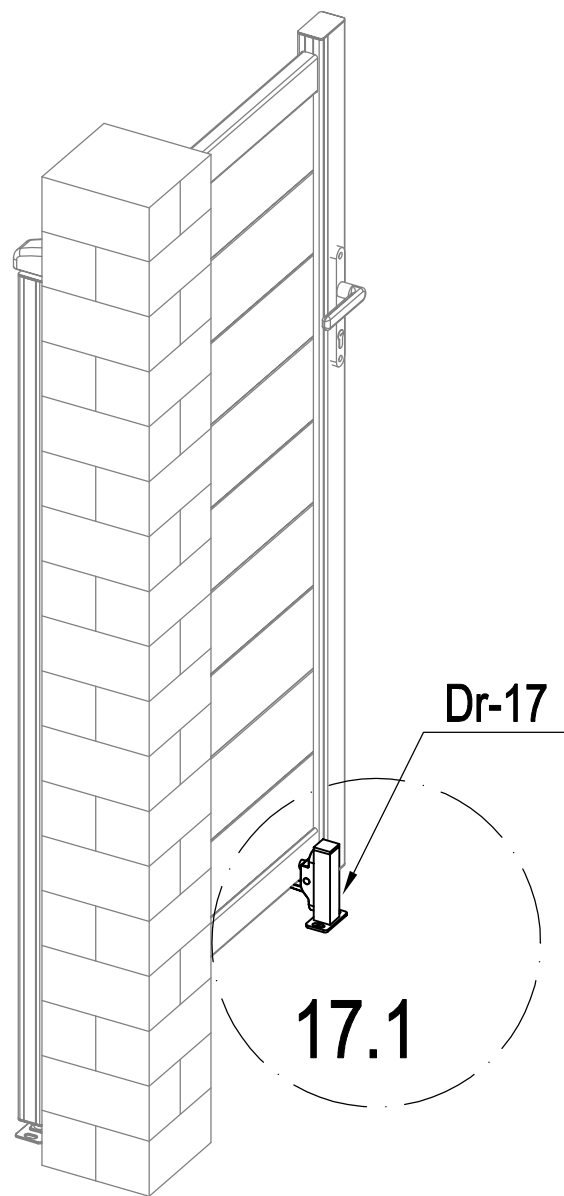
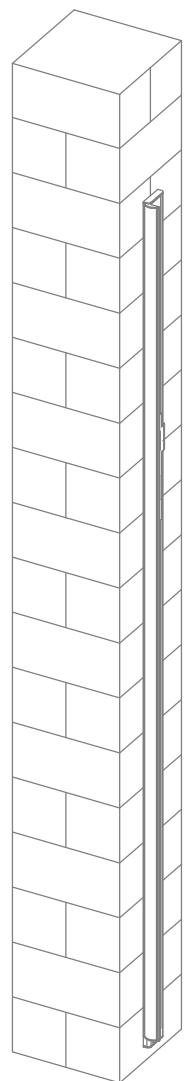




	Dr-11	1
	CK-B32	2





	Dr-15	1
	Dr-31	2



	CK-B32	2
	Dr-17	1