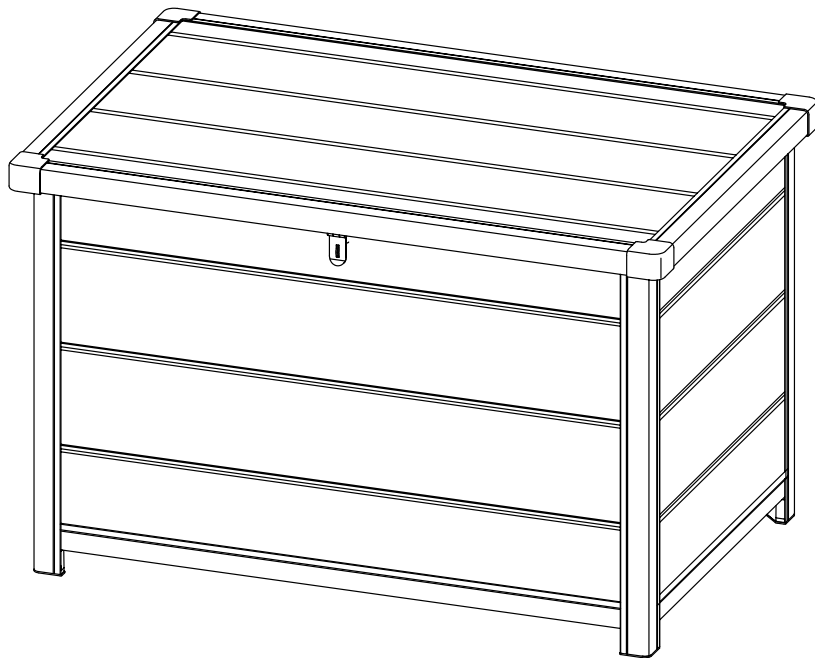


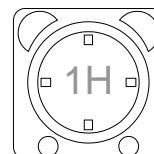
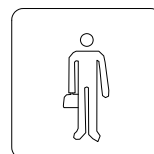
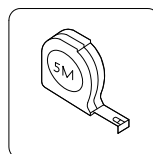
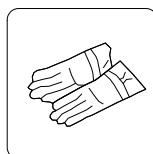
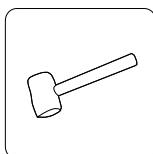
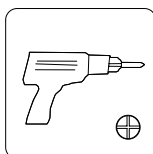
J-ABR224

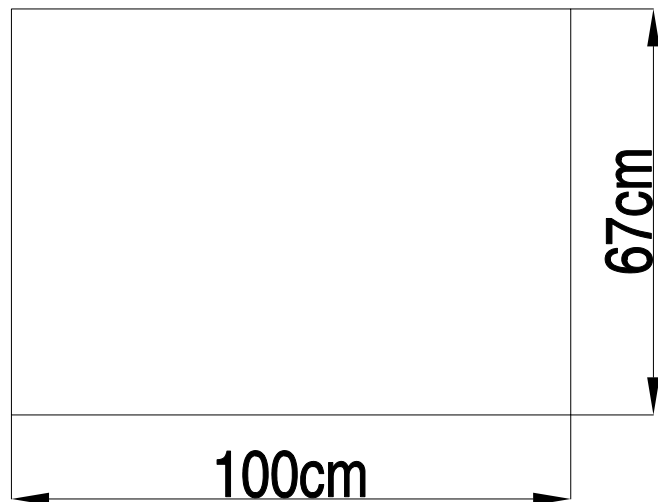
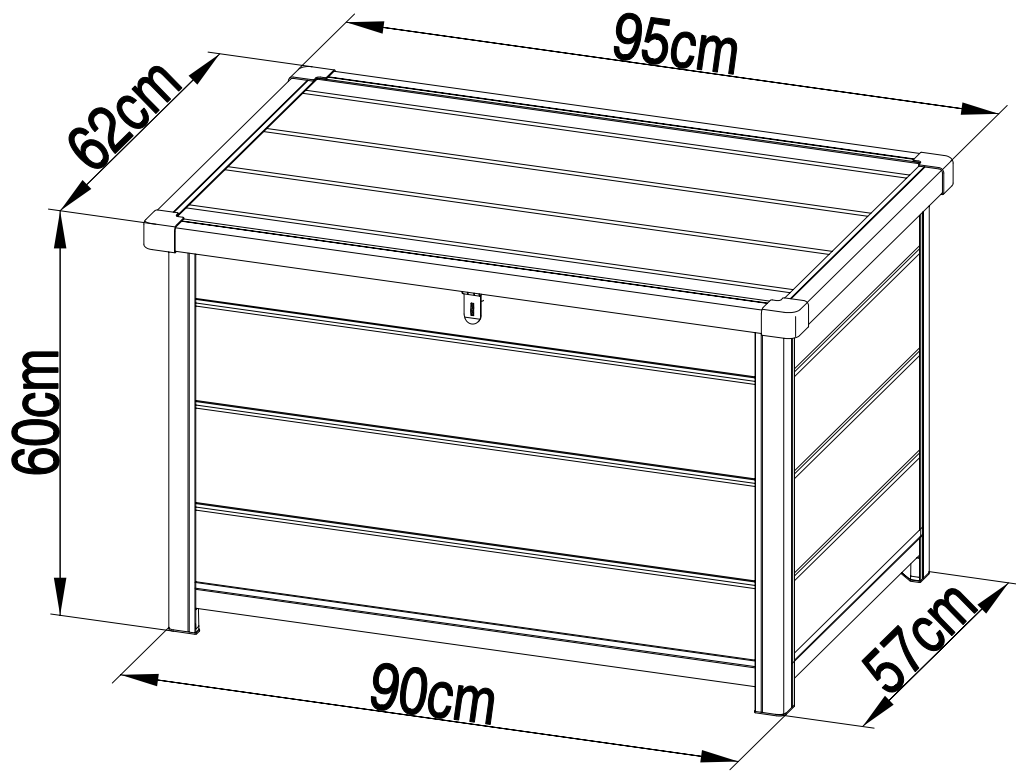
Manuel utilisateur

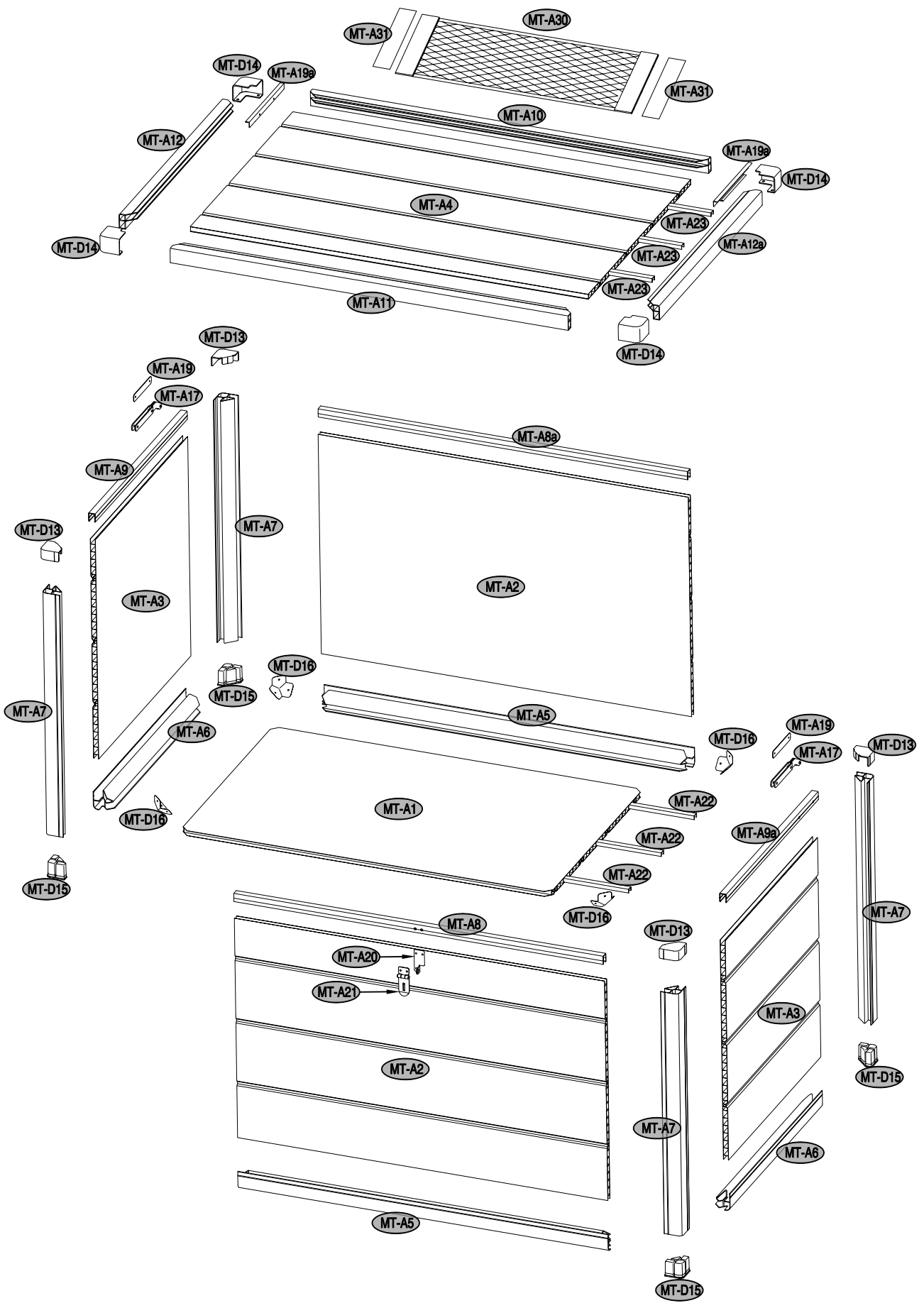


Garantie contre tout défaut ou manquant constaté au déballage du produit

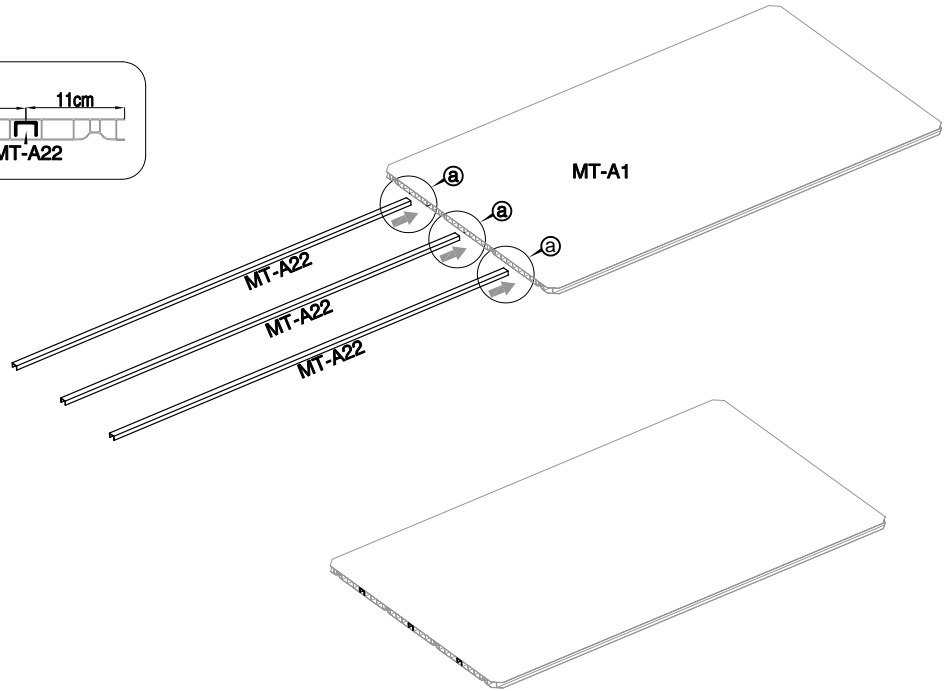
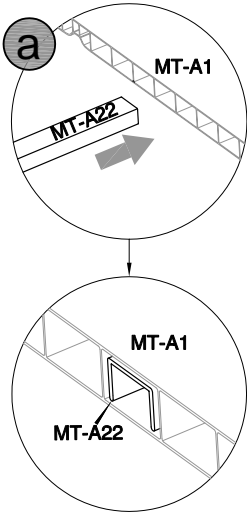
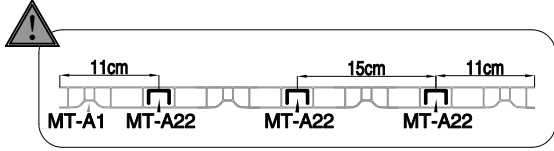
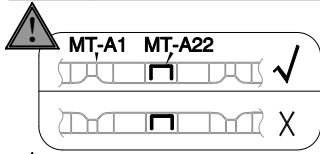
Dimensions 0.95m x 0.62m




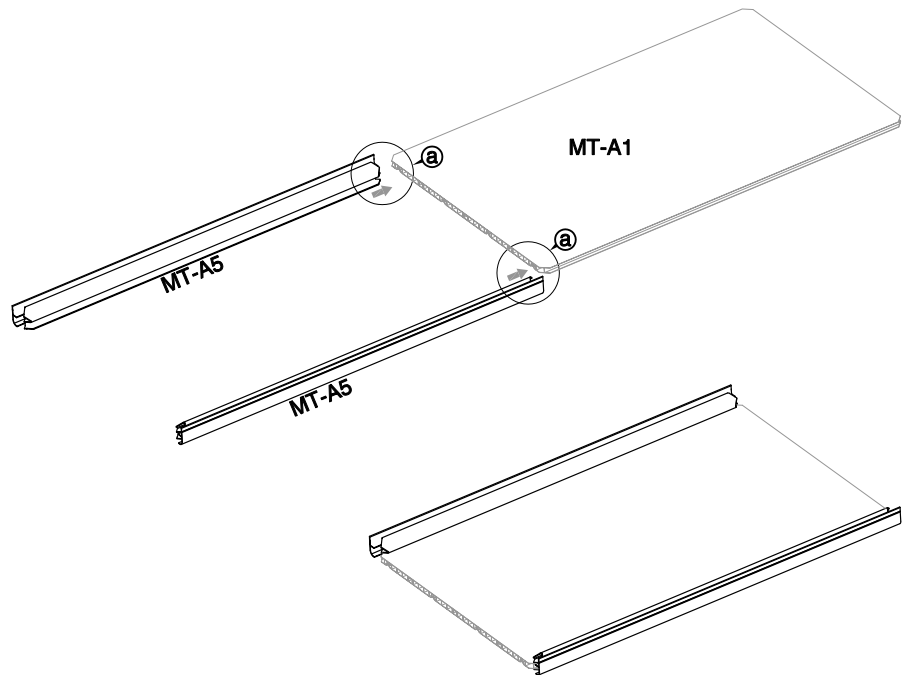
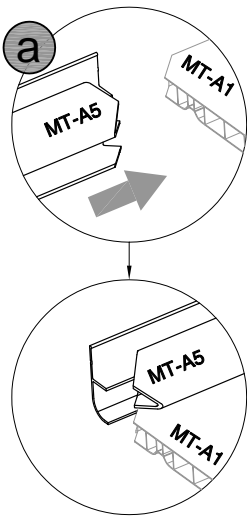
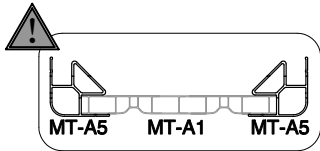




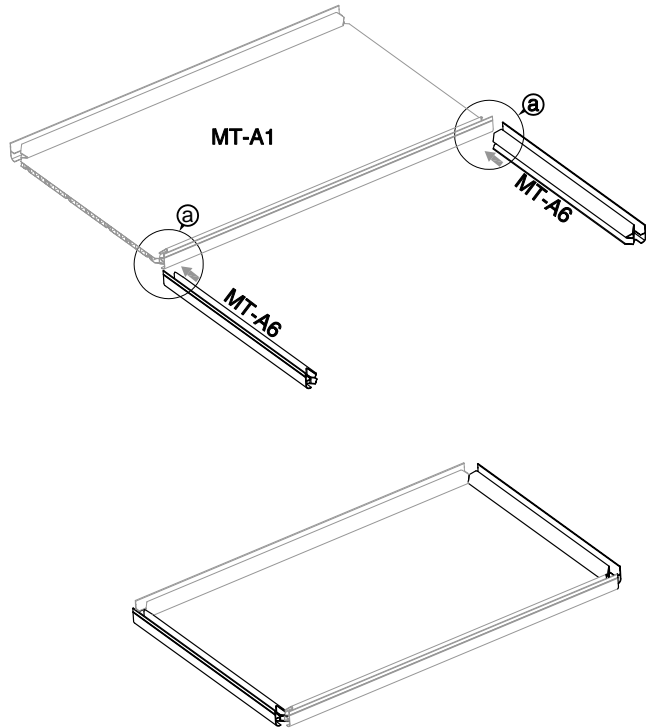
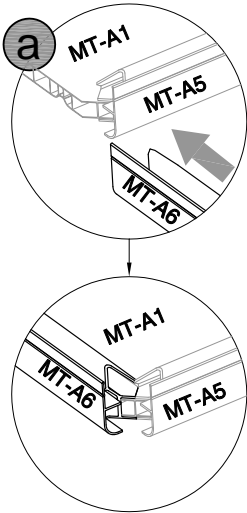
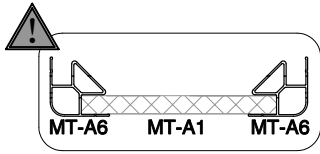
1	 MT-A1 [x1]	 MT-A22 [x3]
----------	---	--



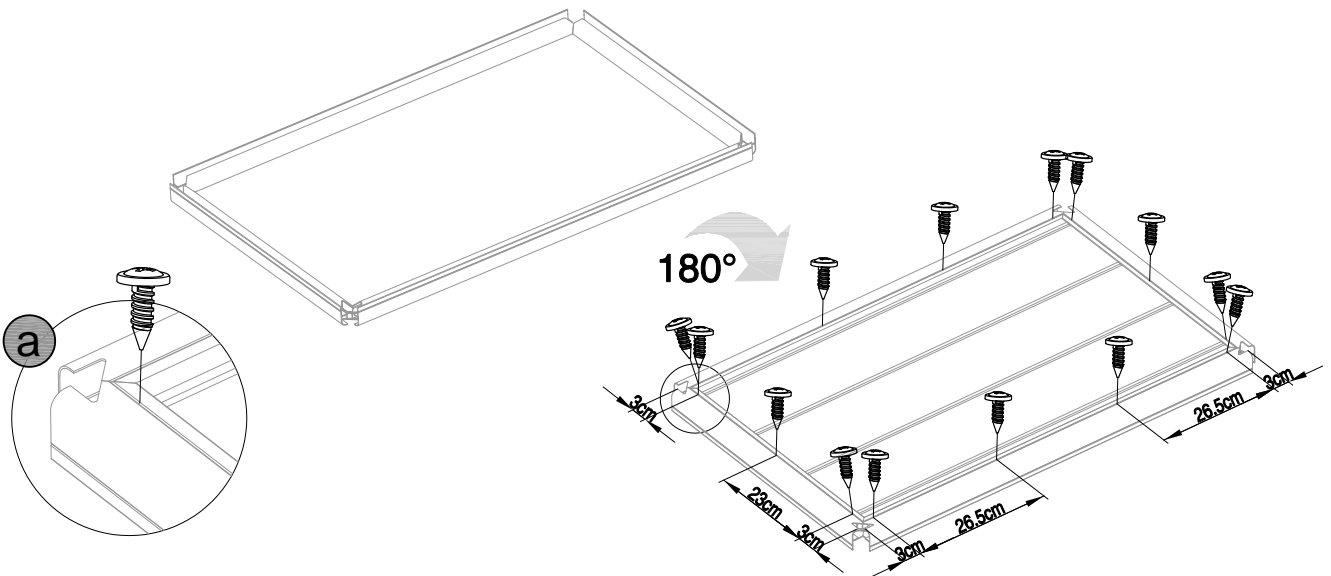
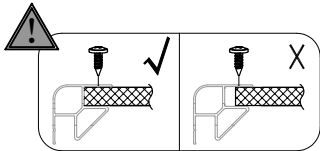
2	 MT-A5 [x2]
----------	---



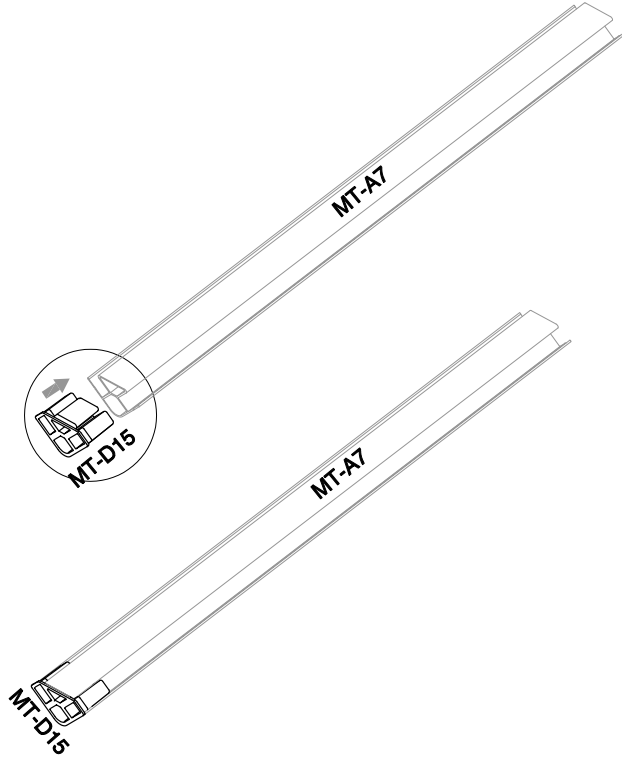
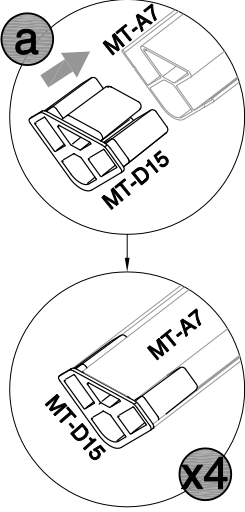
3  MT-A6 [x2]



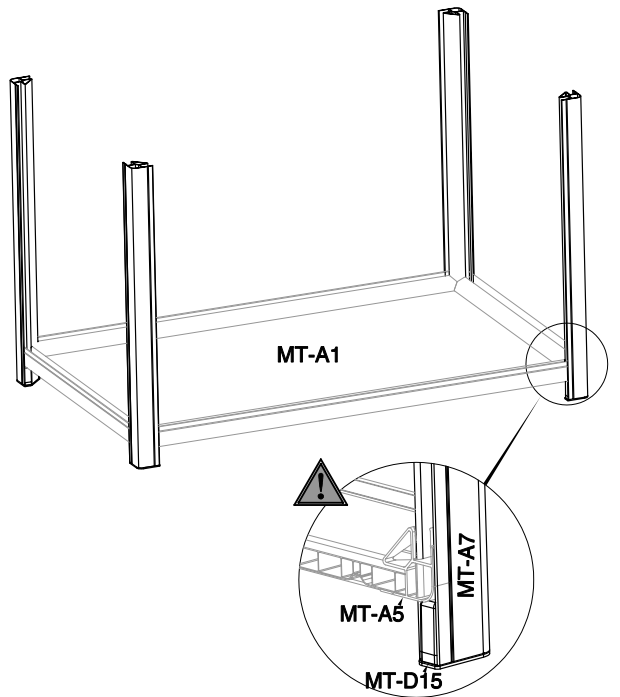
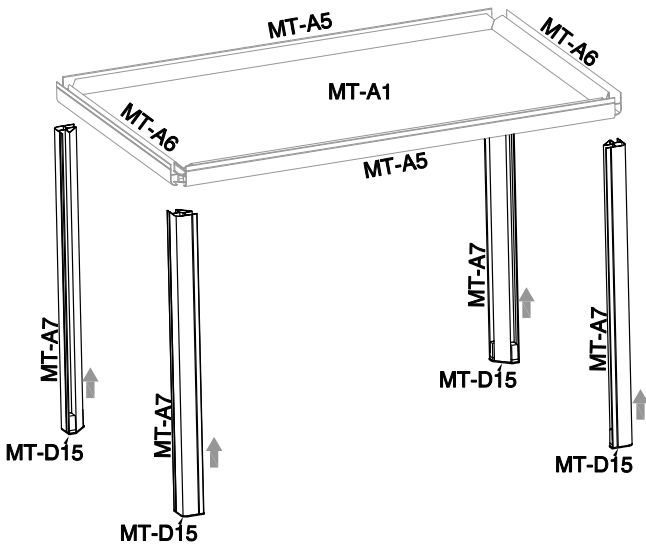
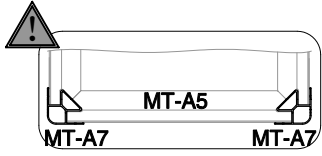
4  MT-A44 [x14]



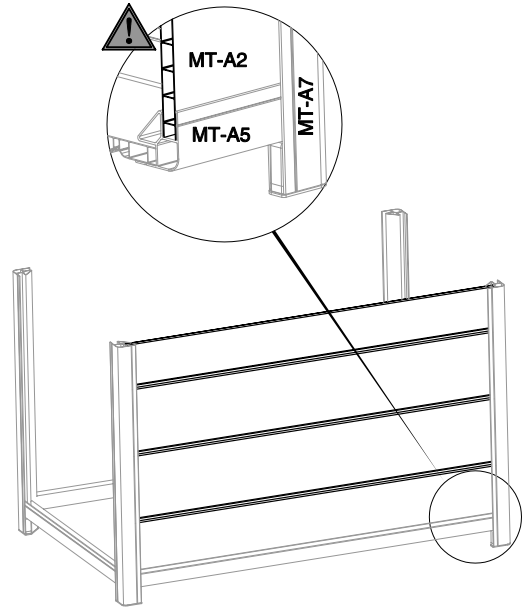
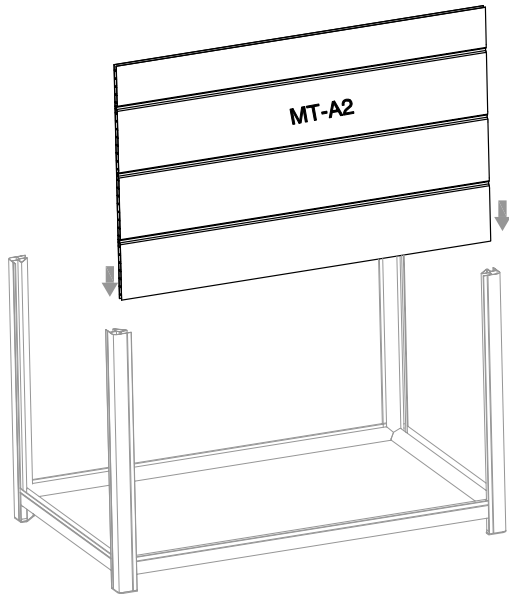
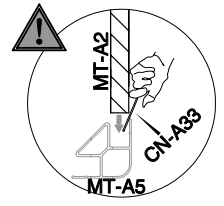
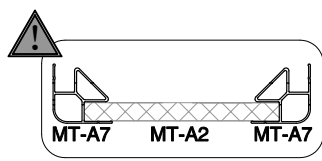
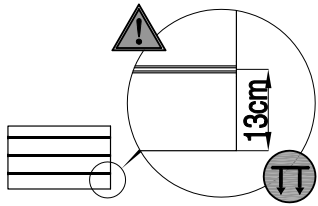
5	 MT-A7 [x4]	 MT-D15 [x4]	
----------	---	--	--

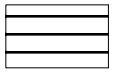




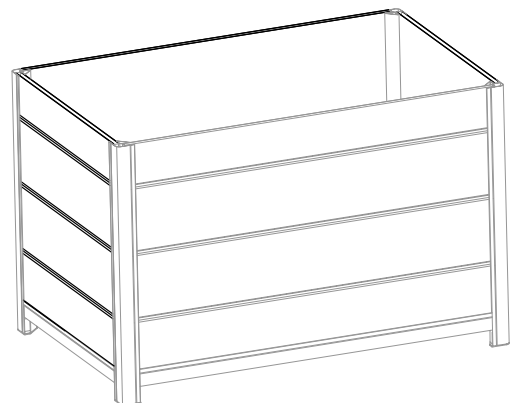
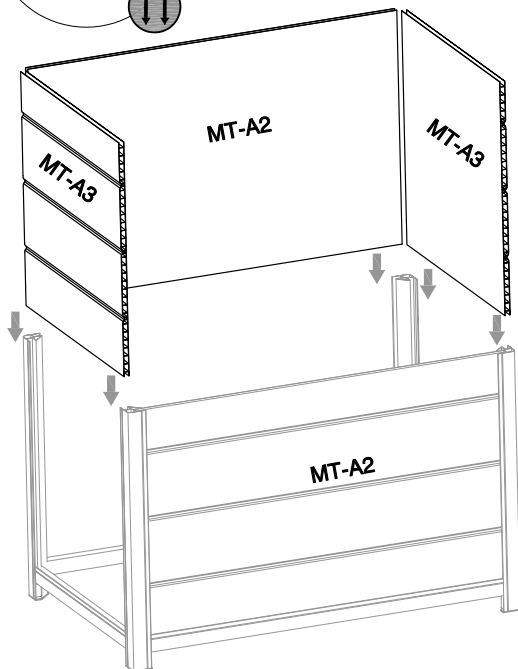
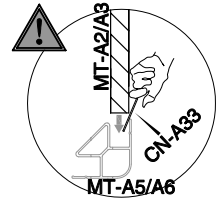
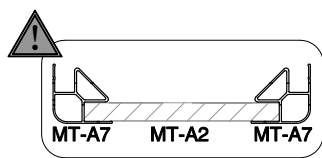
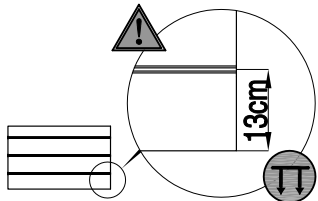
6			
----------	--	--	--



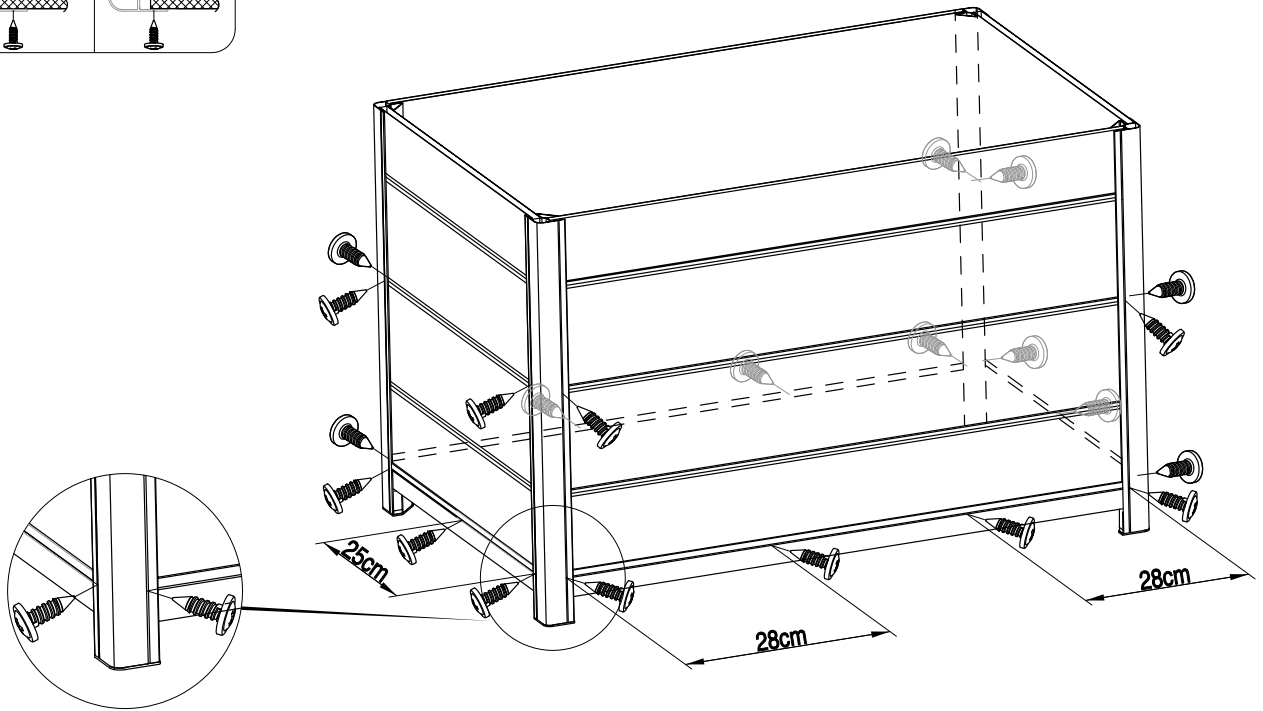
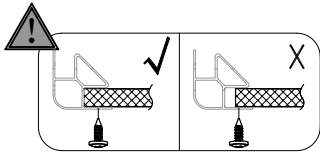
7	 MT-A2 [x1]	 CN-A33	
----------	---	---	--



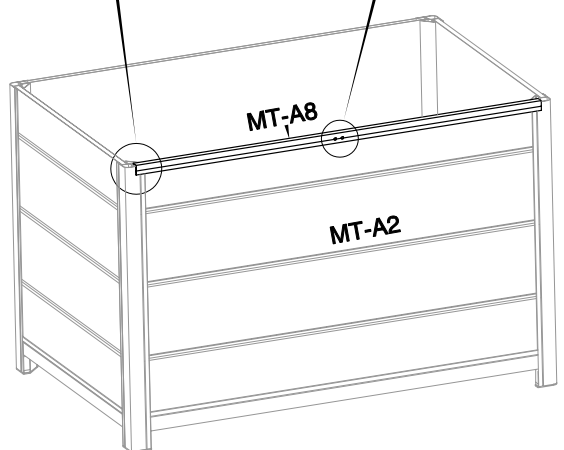
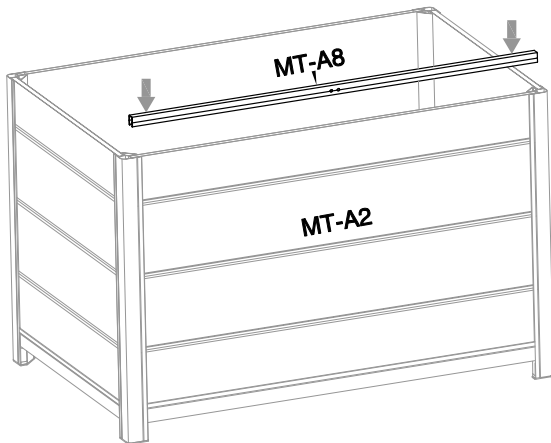
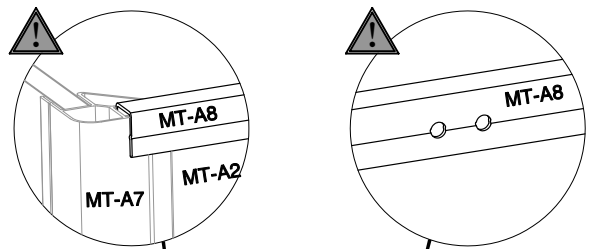
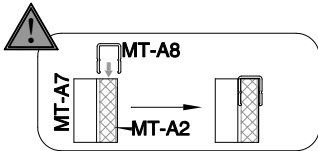
8	 MT-A2 [x1]	 MT-A3 [x2]	 CN-A33	
----------	---	---	---	--

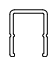
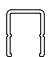
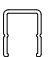



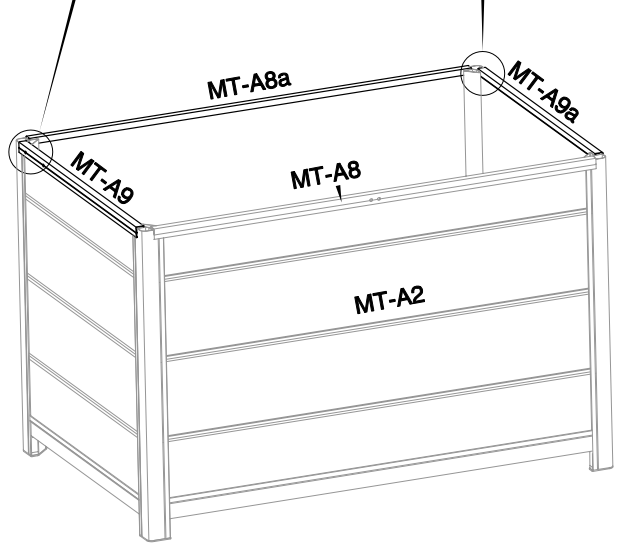
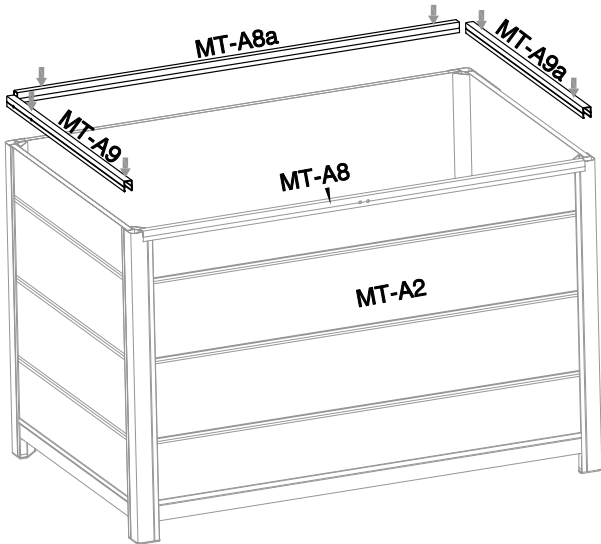
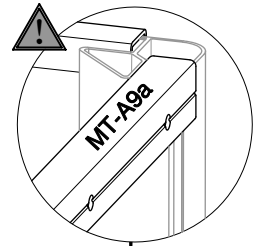
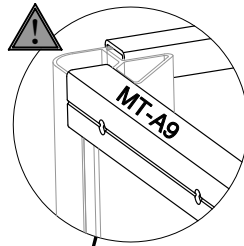
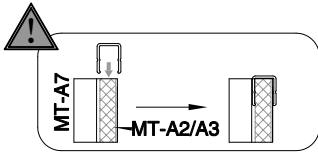
9		
	MT-A44 [x22]	



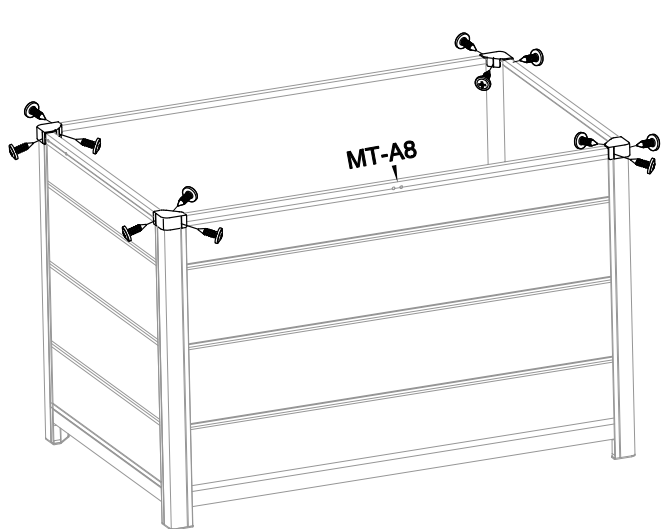
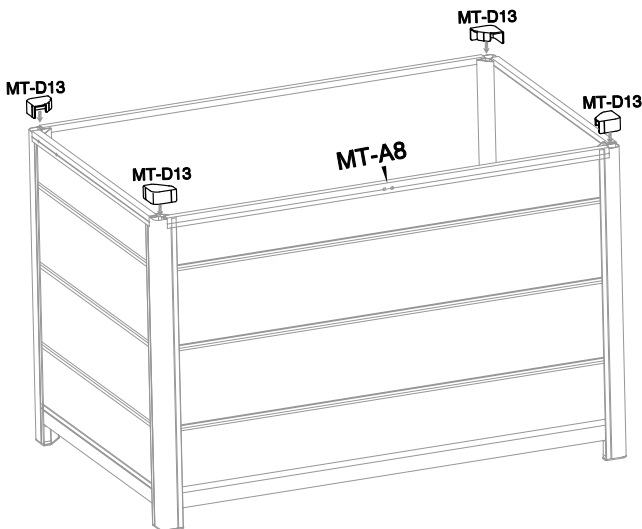
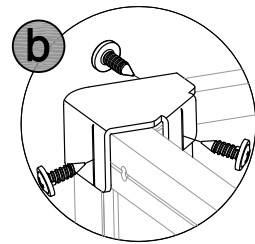
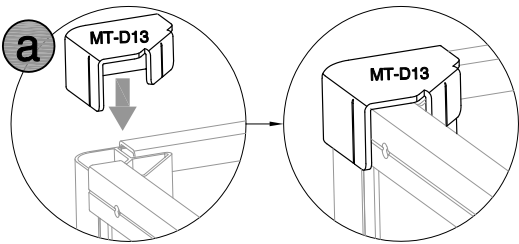
10			
	MT-A8 [x1]	CN-A33	



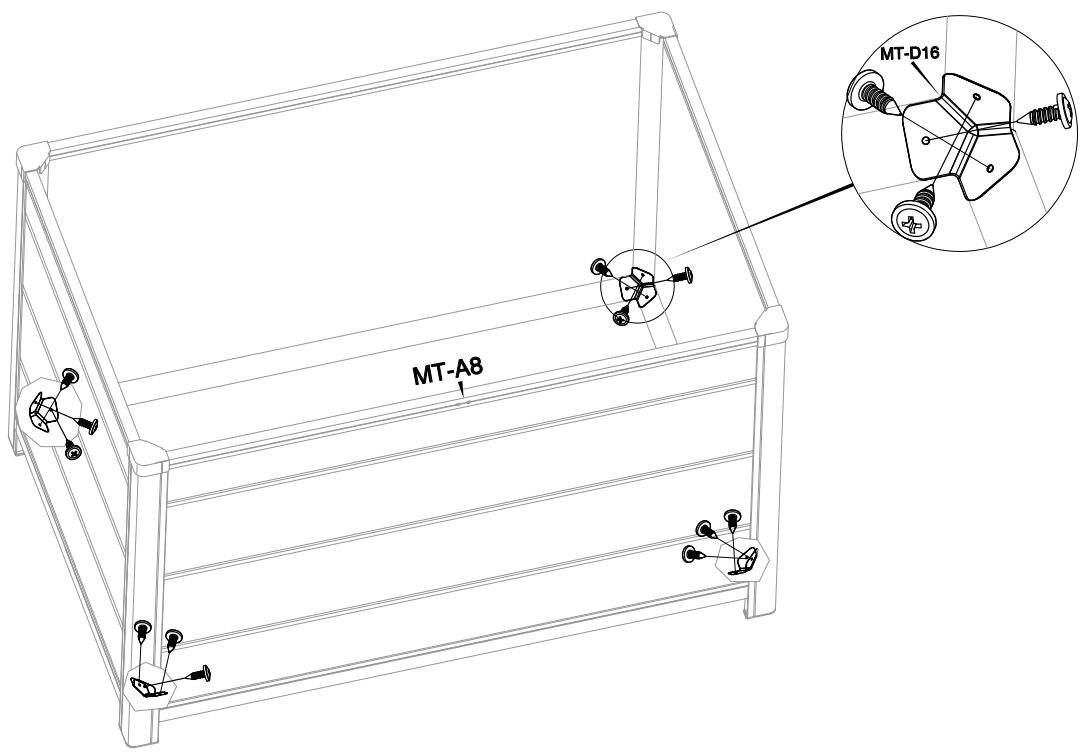
<p>11</p>	 <p>MT-A8a [x1]</p>	 <p>MT-A9 [x1]</p>	 <p>MT-A9a [x1]</p>	 <p>CN-A33</p>	
------------------	--	---	--	--	--



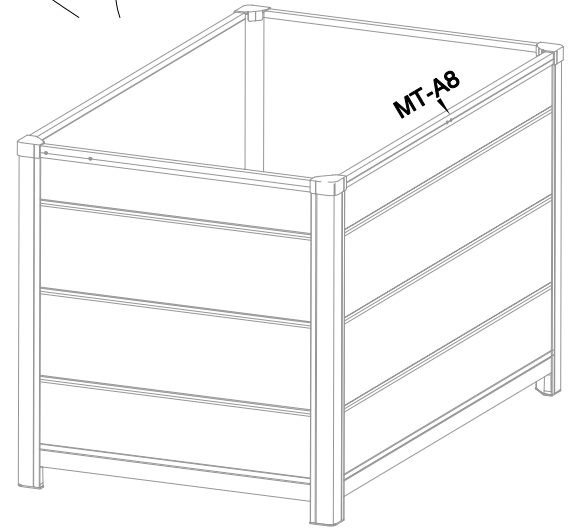
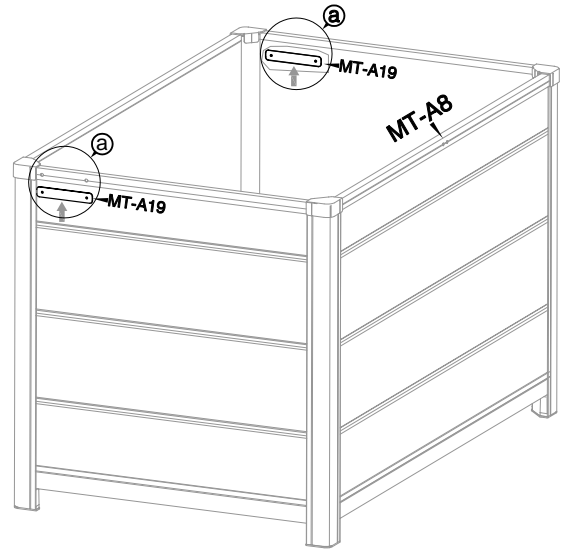
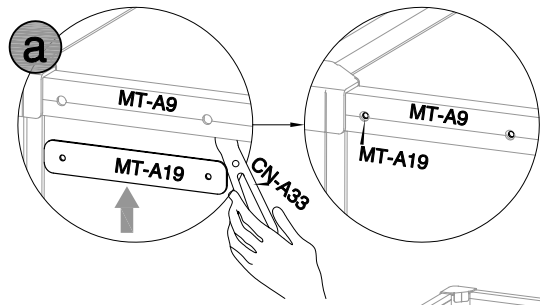
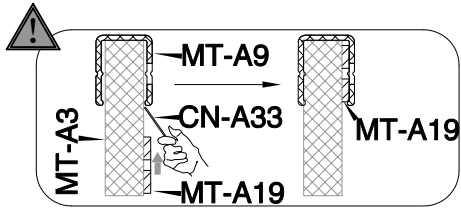
<p>12</p>	 <p>MT-D13 [x4]</p>	 <p>MT-A44 [x12]</p>	
------------------	--	---	--



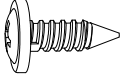


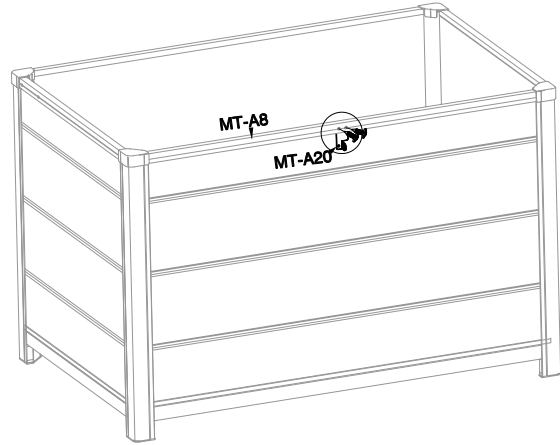
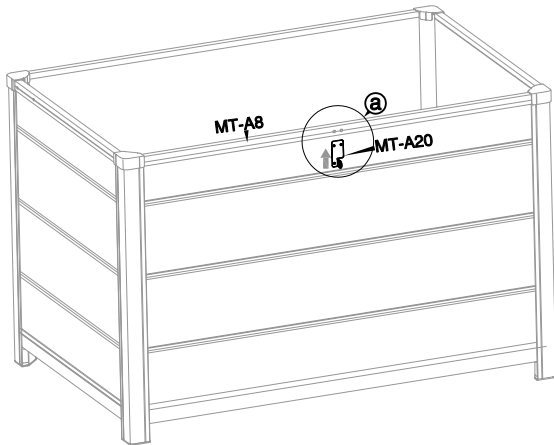
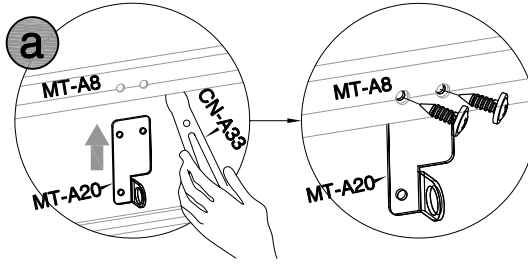
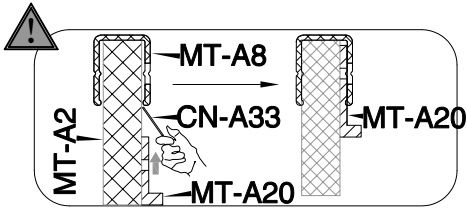
<p>13</p>	 <p>MT-D16 [x4]</p>	 <p>MT-A44 [x12]</p>	
------------------	--	---	--

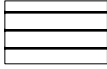
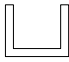


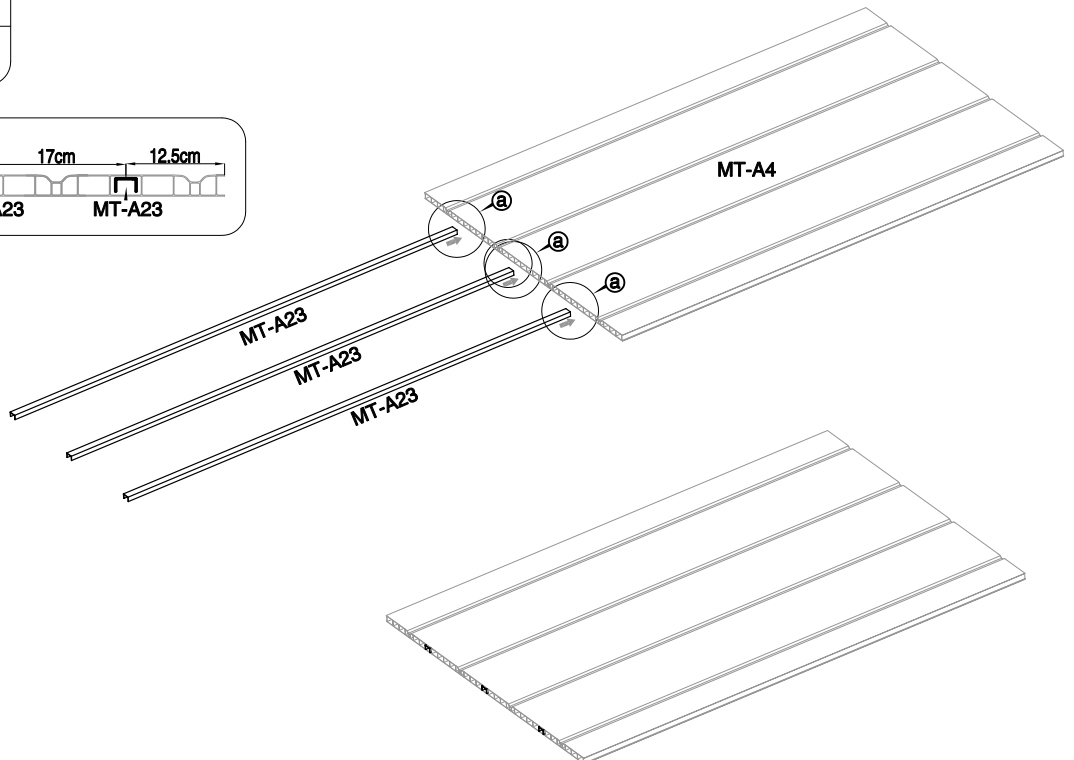
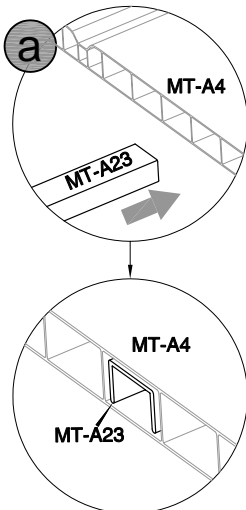
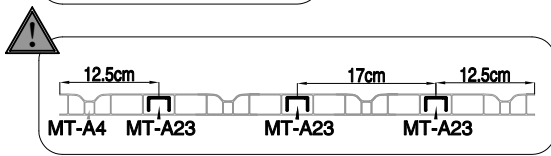
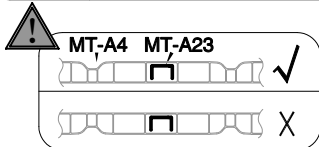
<p>14</p>	 <p>MT-A19 [x2]</p>	 <p>CN-A33</p>	
------------------	--	---	--



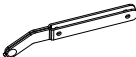
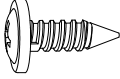


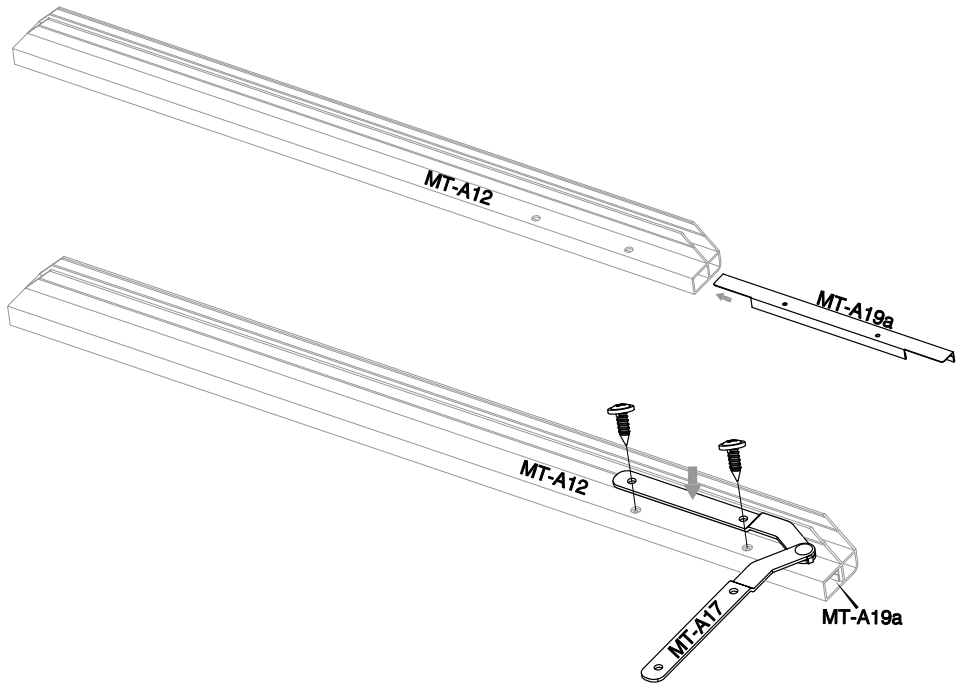
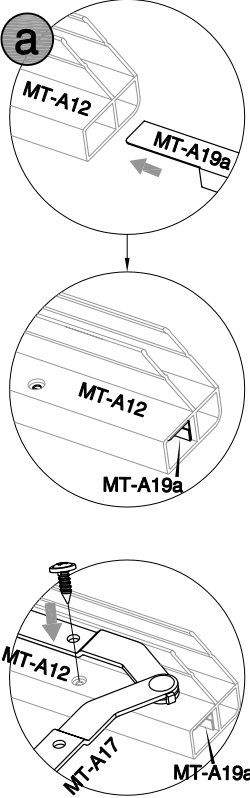
15	 MT-A20 [x1]	 CN-A33	 MT-A44 [x2]	
-----------	--	---	--	--



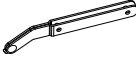
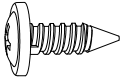


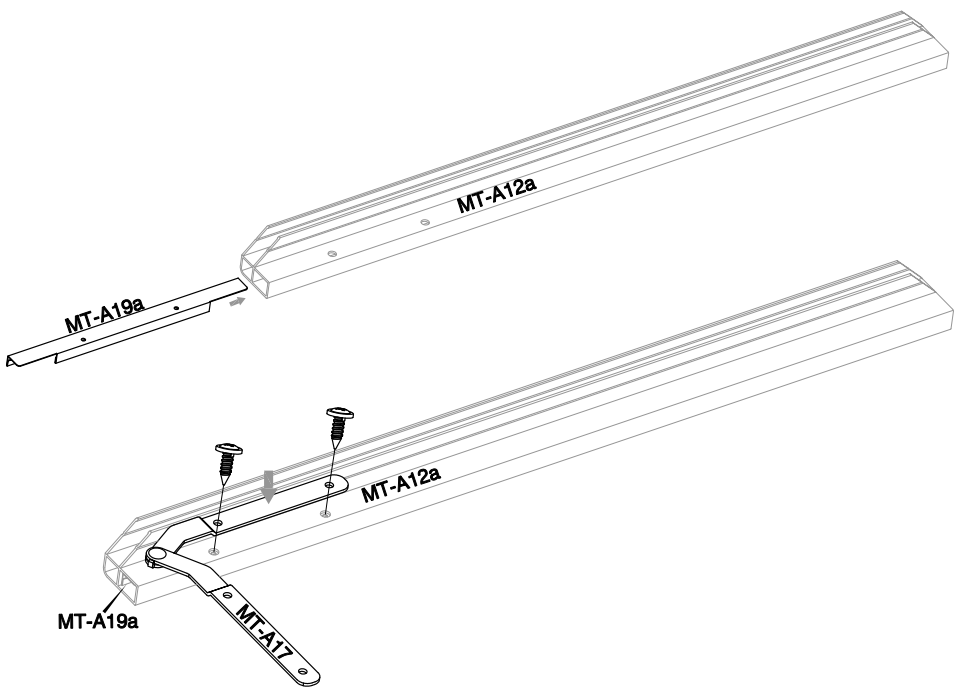
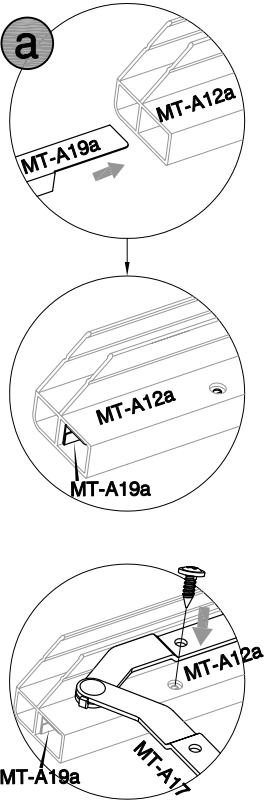
16	 MT-A4 [x1]	 MT-A23 [x3]	
-----------	---	--	--


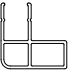
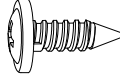


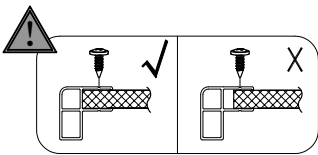
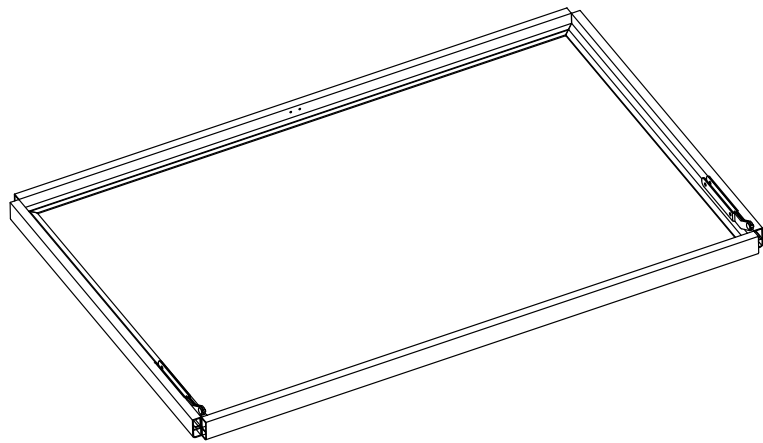
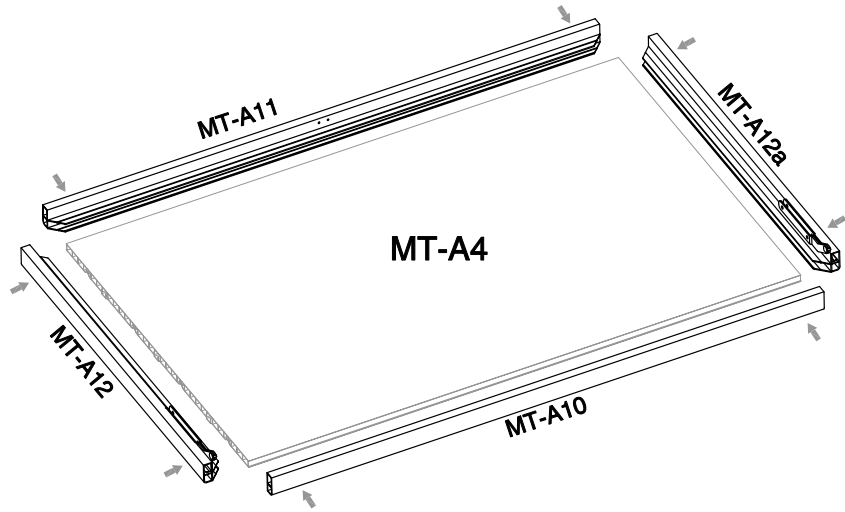
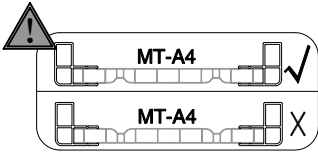
17	 MT-A12 [x1]	 MT-A19a [x1]	 MT-A17 [x1]	 MT-A44 [x2]	
----	--	---	--	---	--



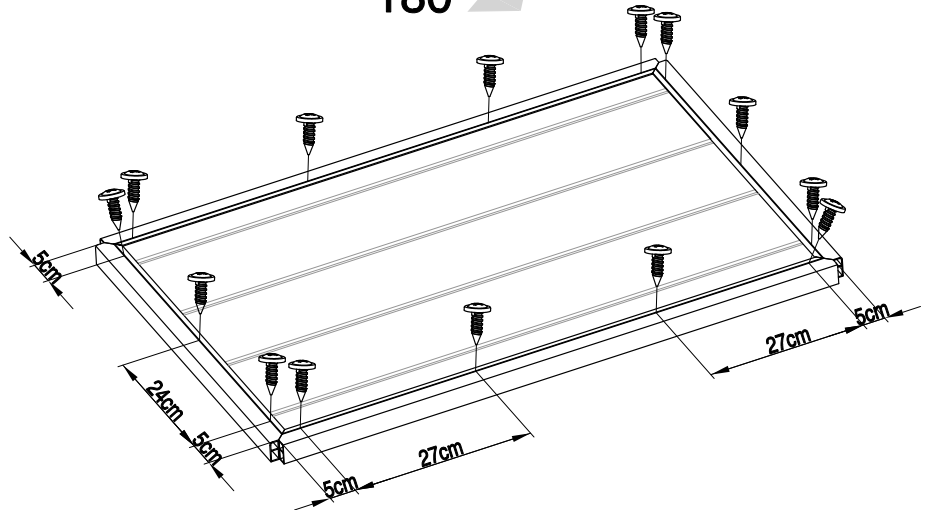
18	 MT-A12a [x1]	 MT-A19a [x1]	 MT-A17 [x1]	 MT-A44 [x2]	
----	---	---	--	---	--



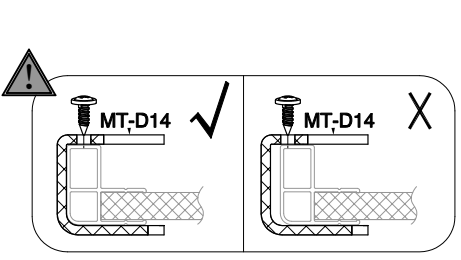
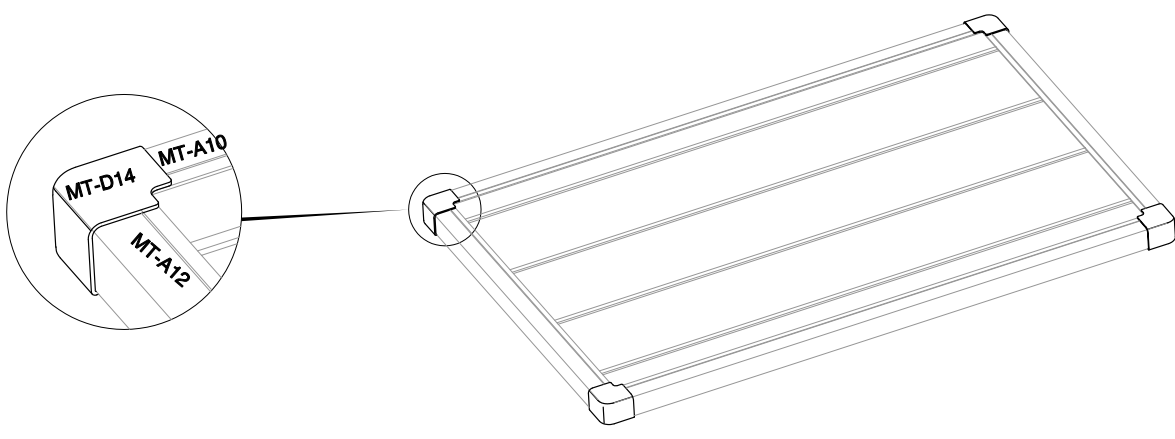
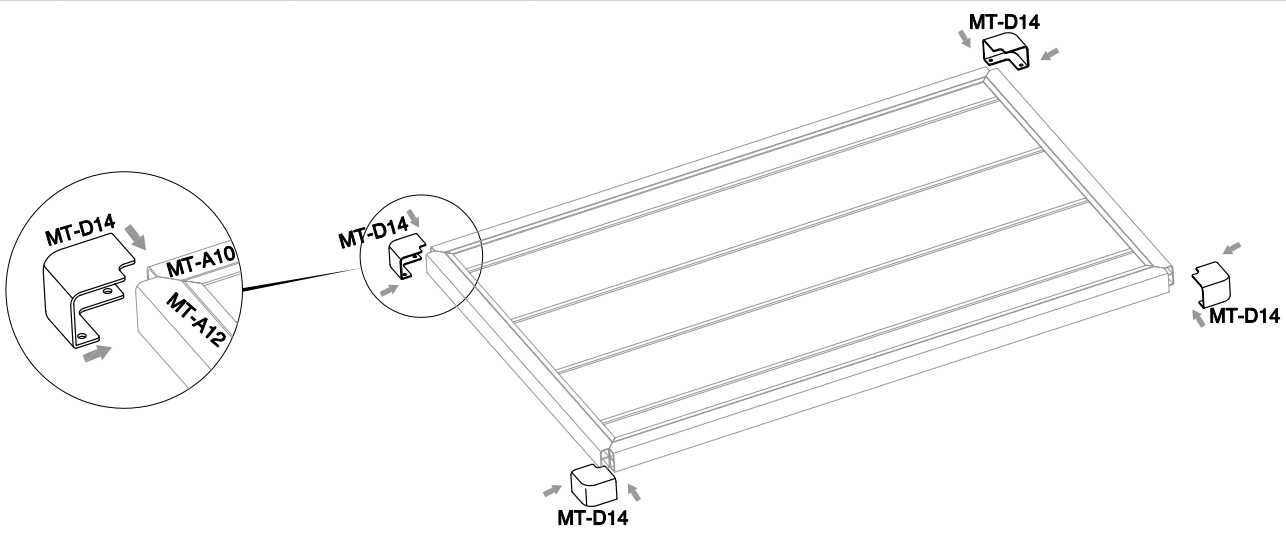
19	 MT-A10 [x1]	 MT-11 [x1]	 MT-A44 [x14]	
-----------	--	---	---	--



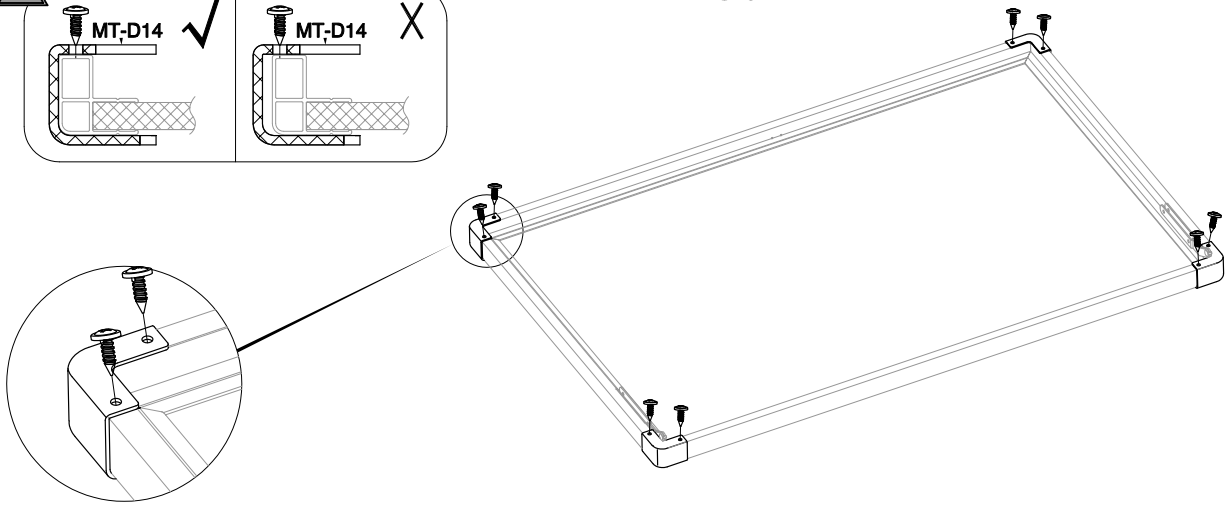
180°



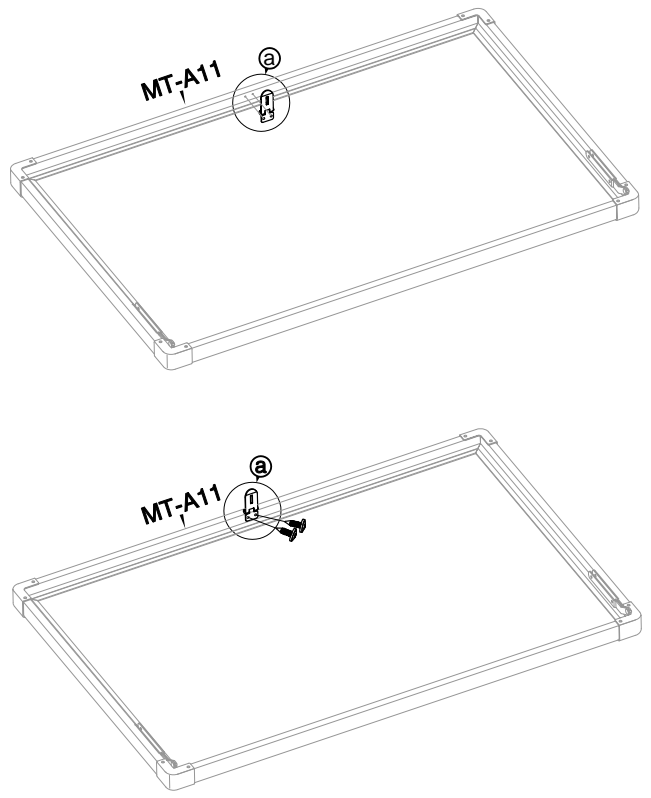
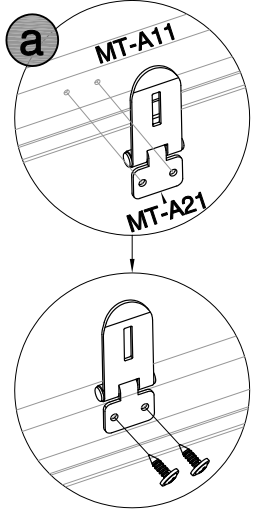
20	 MT-D14 [x4]	 MT-A44 [x8]	
----	--	--	--

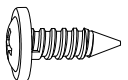


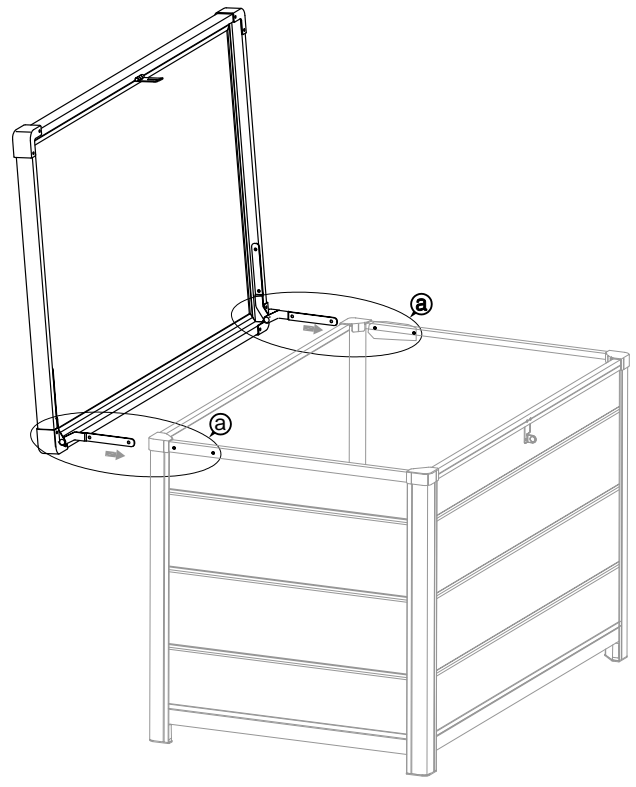
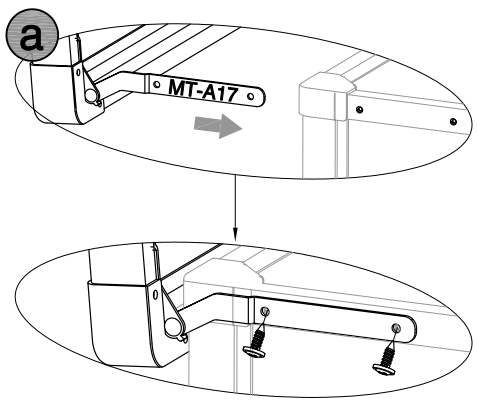
180°



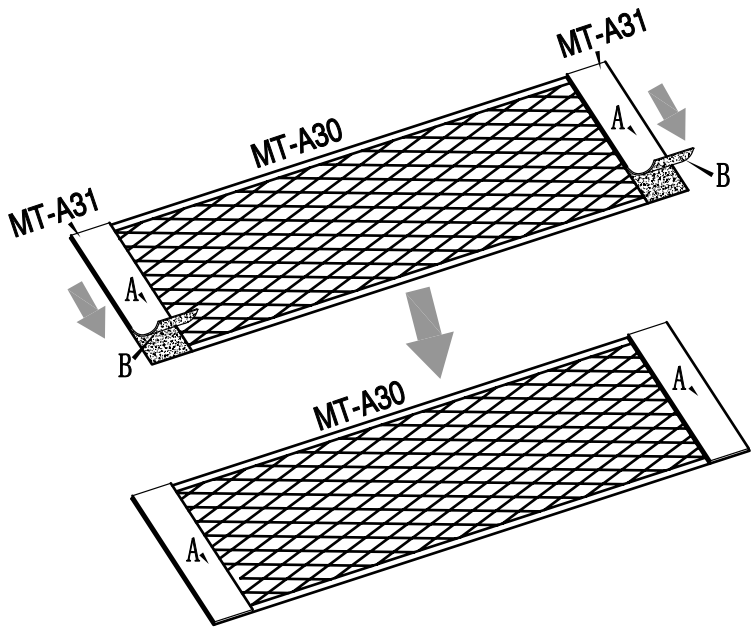
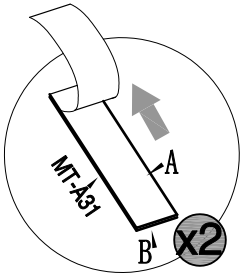
<p>21</p>	 <p>MT-A21 [x1]</p>	 <p>MT-A44 [x2]</p>	
------------------	--	--	--



<p>22</p>	 <p>MT-A44 [x4]</p>	
------------------	--	--



<p>23</p>	 <p>MT-A30 [x1]</p>	 <p>MT-A31 [x2]</p>	
-----------	--	--	--



<p>24</p>		
-----------	--	--

